



US00D745012S

(12) **United States Design Patent**
Flannigan

(10) **Patent No.:** **US D745,012 S**
(45) **Date of Patent:** **** Dec. 8, 2015**

(54) **TABLET CASE**

(71) Applicant: **Marie Flannigan**, Avalon, NJ (US)

(72) Inventor: **Marie Flannigan**, Avalon, NJ (US)

(**) Term: **14 Years**

(21) Appl. No.: **29/484,929**

(22) Filed: **Mar. 14, 2014**

(51) **LOC (10) Cl.** **14-02**

(52) **U.S. Cl.**
USPC **D14/440**

(58) **Field of Classification Search**
USPC D14/250, 251, 253, 240, 217, 496, 440,
D14/203.3, 203.4, 203.5, 203.8, 341, 318;
D3/218, 215, 201, 294, 289, 900;
220/4.02; 248/309.1; 361/679.56;
379/426, 433.11, 455; 455/575.1,
455/575.8, 457.1; 190/100; 206/305, 320,
206/45.2; D21/469; 312/240
CPC ... G06F 1/1601; G06F 1/1626; G06F 1/1633;
G06F 1/1675; G06F 1/1679; G02F 1/1306;
G02F 1/133; G02F 1/133308; G02F 1/153;
G02F 1/1533; G02F 2001/133317; H04M
1/185; H04M 1/0252; H04B 1/3888
See application file for complete search history.

(56) **References Cited**

U.S. PATENT DOCUMENTS

D579,975 S * 11/2008 Brown D19/26
D666,804 S * 9/2012 Rogers D3/201
D686,628 S * 7/2013 Hall D14/440

D694,523 S * 12/2013 Chiang D3/303
D707,229 S * 6/2014 Almodova D14/440
D719,169 S * 12/2014 McBroom D14/440
D720,756 S * 1/2015 Stavrakakis D14/440
D722,059 S * 2/2015 Hirst D14/440
2013/0214661 A1* 8/2013 McBroom 312/325

* cited by examiner

Primary Examiner — Cynthia Underwood

(74) *Attorney, Agent, or Firm* — Daniel Boudwin; Global Intellectual Property Agency LLC

(57) **CLAIM**

The ornamental design for a tablet case, as shown and described.

DESCRIPTION

FIG. 1 shows a frontal perspective view of the tablet case of the present invention.

FIG. 2 shows a front view of the tablet case of the present invention.

FIG. 3 shows a rear view of the tablet case of the present invention;

FIG. 4 shows a first end view of the tablet case of the present invention.

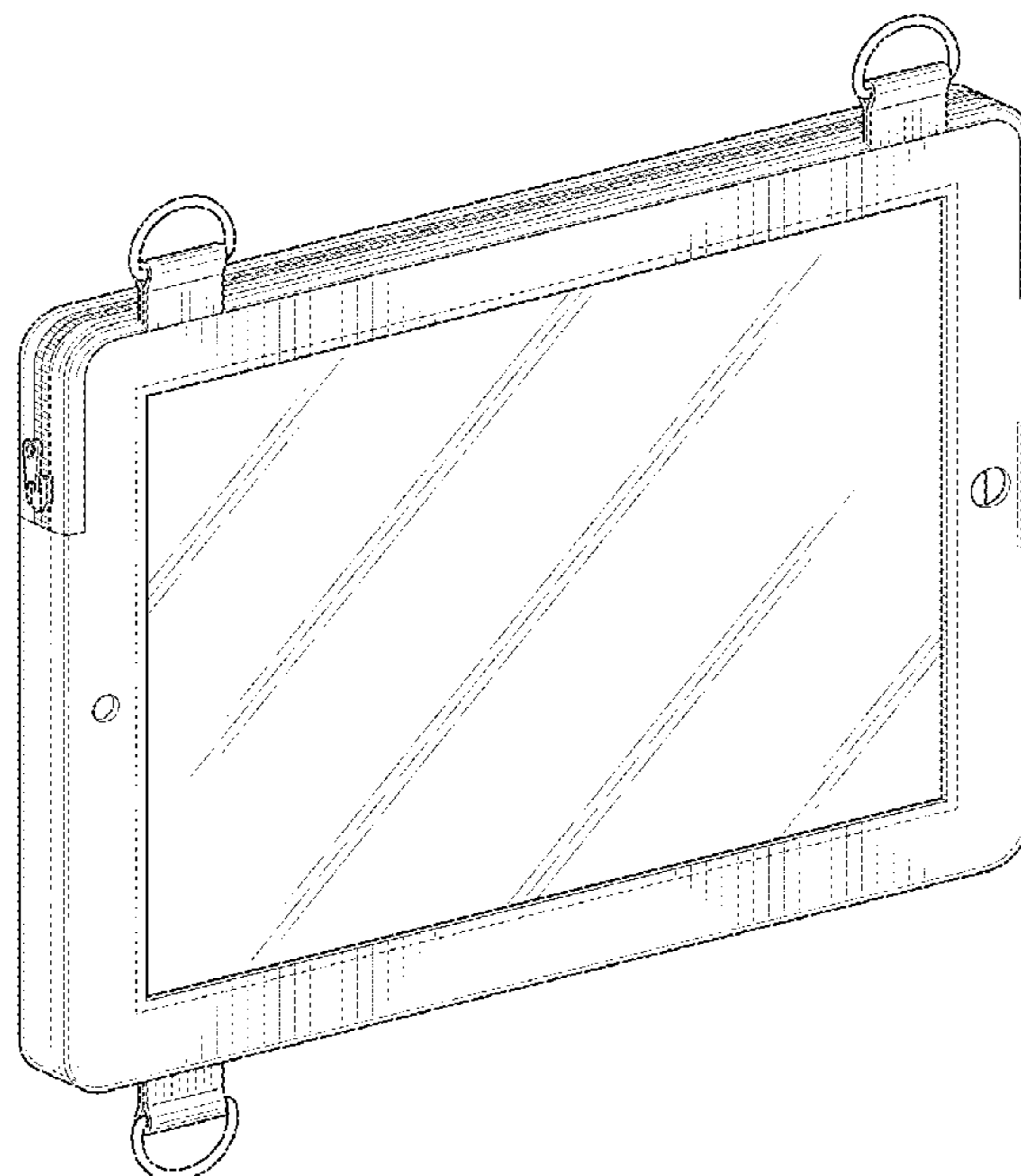
FIG. 5 shows a second end view of the tablet case of the present invention.

FIG. 6 shows a first side view of the tablet case of the present invention; and,

FIG. 7 shows a second side view of the tablet case of the present invention.

The broken lines in the drawings depict stitching and form part of the claim.

1 Claim, 5 Drawing Sheets



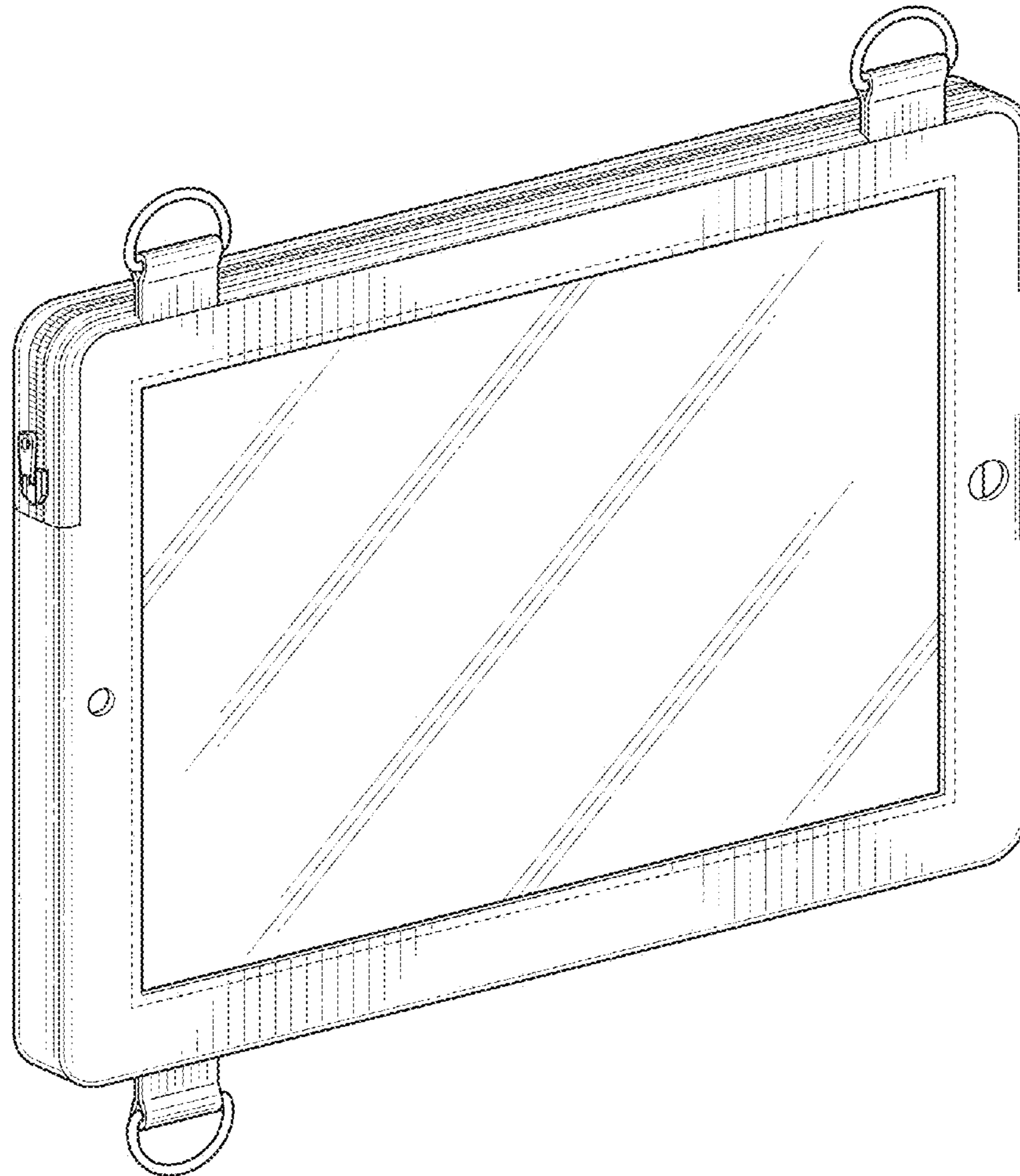


FIG. 1

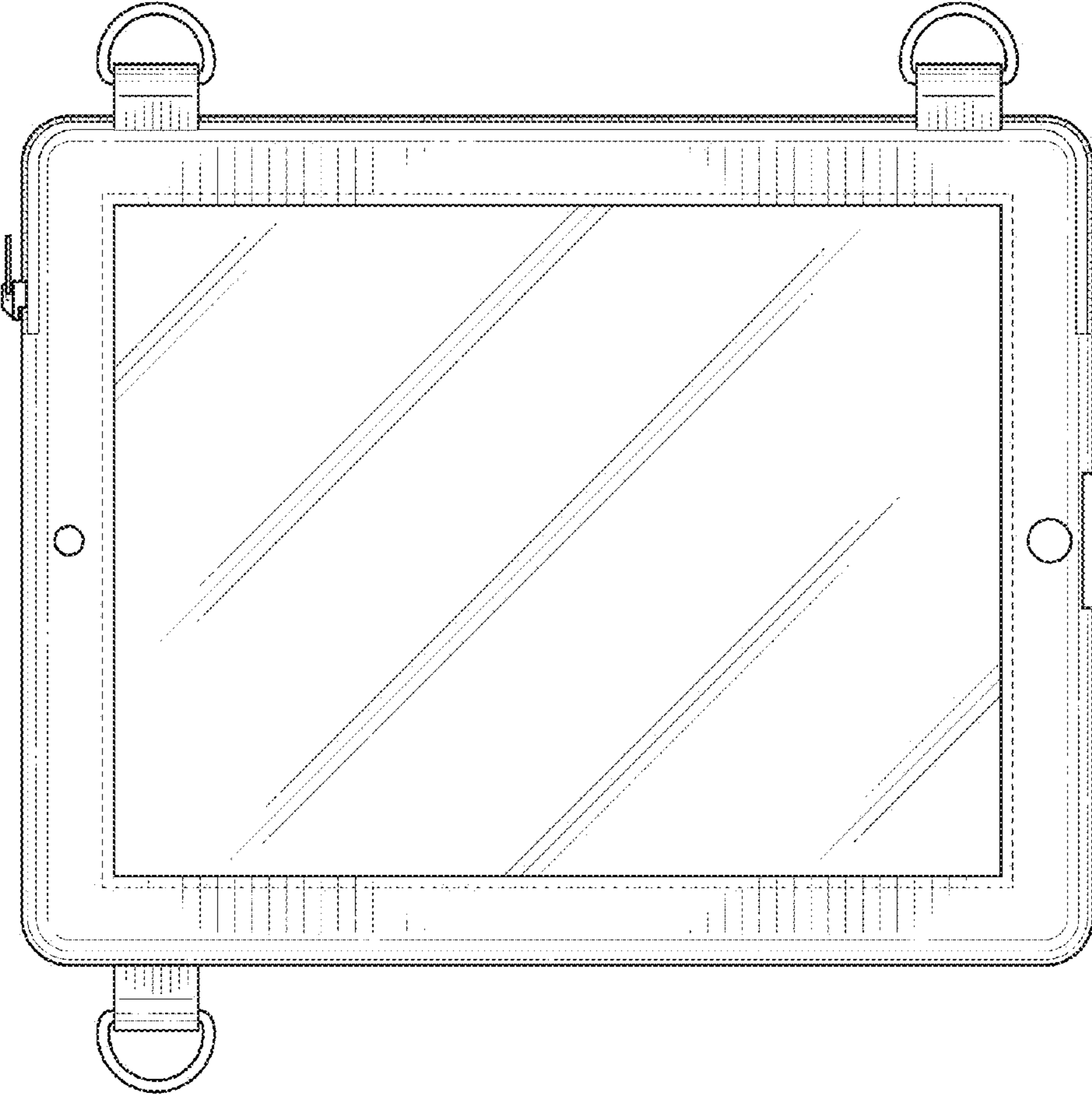


FIG. 2

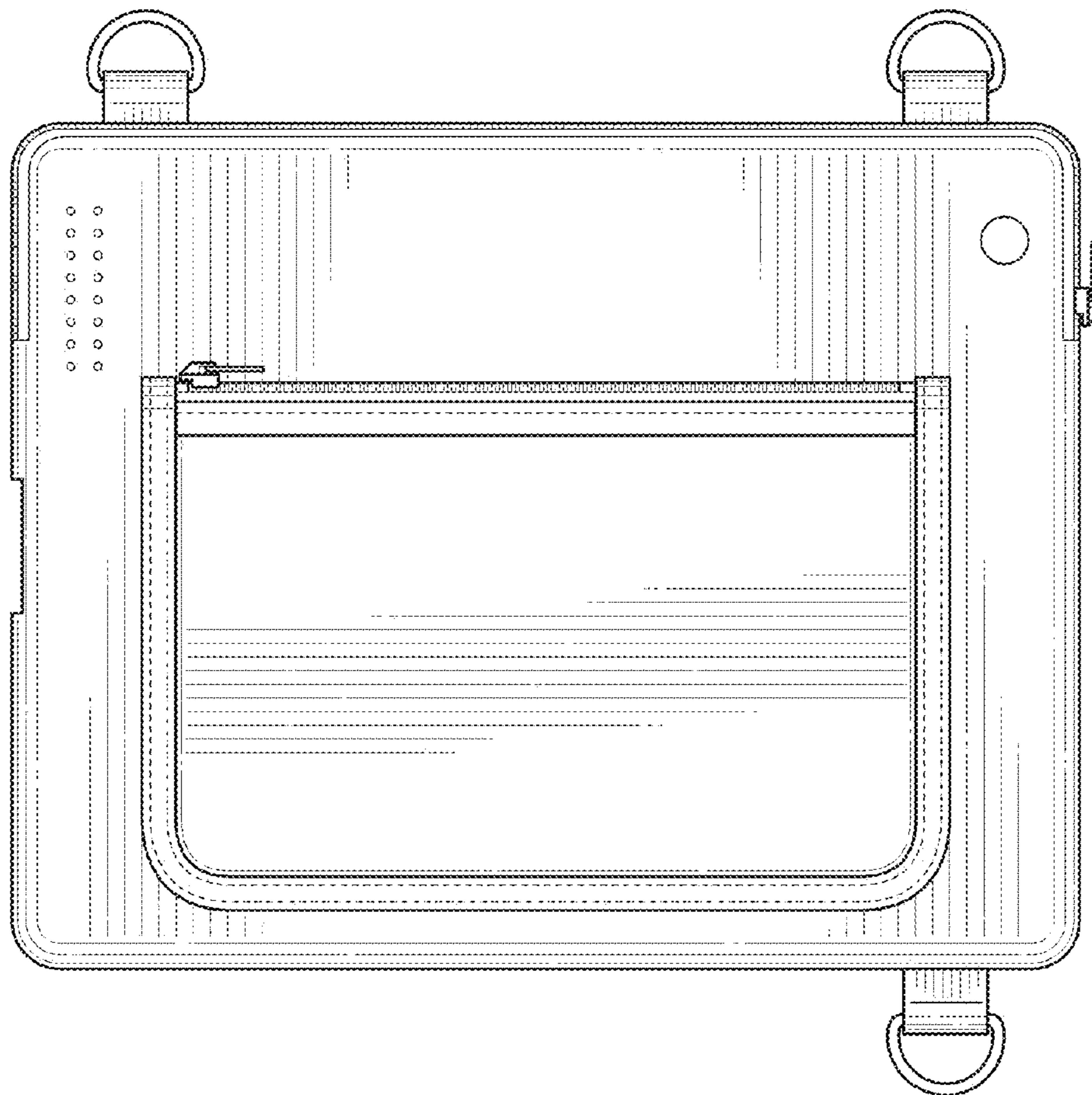


FIG. 3

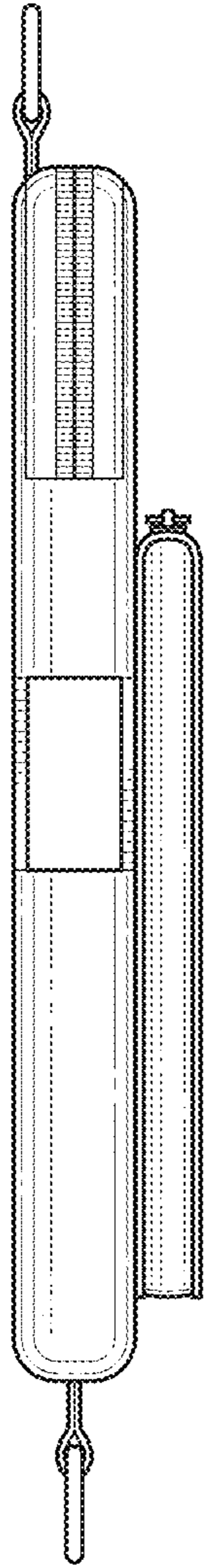


FIG. 4

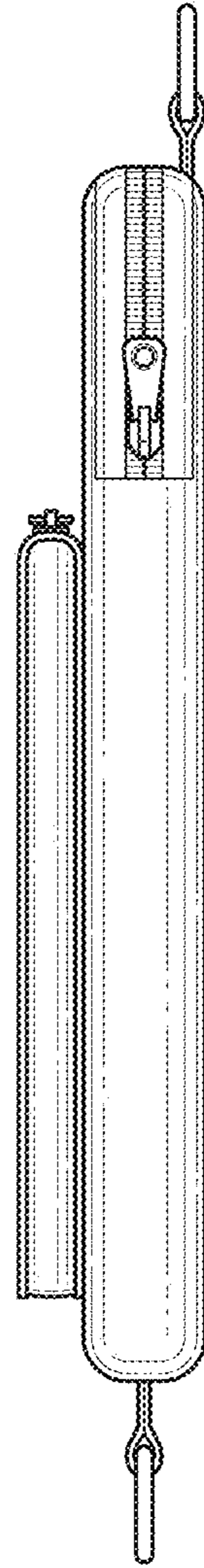


FIG. 5

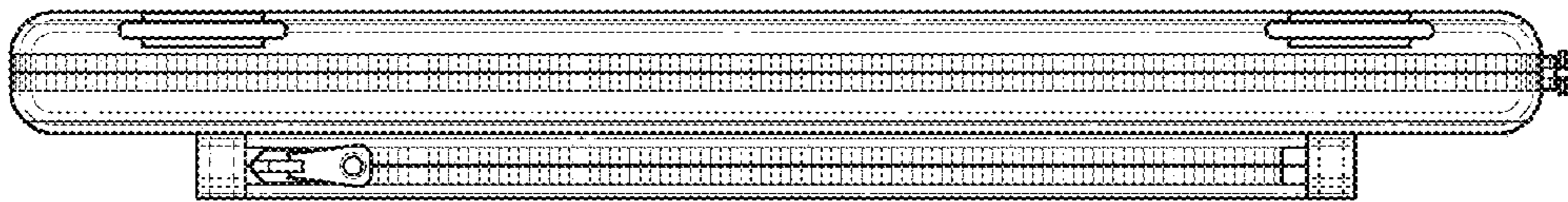


FIG. 6

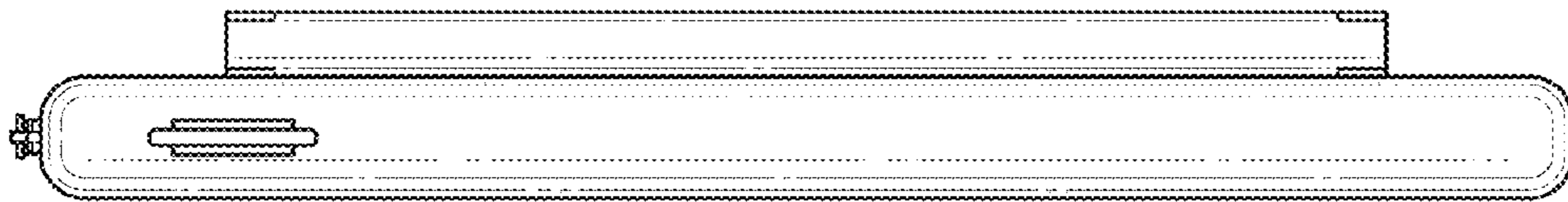


FIG. 7