



US00D745011S

(12) **United States Design Patent**
Akana et al.

(10) **Patent No.:** **US D745,011 S**

(45) **Date of Patent:** **** *Dec. 8, 2015**

(54) **CASE**

(71) Applicant: **Apple Inc.**, Cupertino, CA (US)

(72) Inventors: **Jody Akana**, San Francisco, CA (US); **Bartley K. Andre**, Palo Alto, CA (US); **Jeremy Bataillou**, San Francisco, CA (US); **Daniel J. Coster**, San Francisco, CA (US); **Daniele De Iuliis**, San Francisco, CA (US); **M. Evans Hankey**, San Francisco, CA (US); **Julian Hoenig**, San Francisco, CA (US); **Richard P. Howarth**, San Francisco, CA (US); **Jonathan P. Ive**, San Francisco, CA (US); **Duncan Robert Kerr**, San Francisco, CA (US); **Shin Nishibori**, Kailua, HI (US); **Matthew Dean Rohrbach**, San Francisco, CA (US); **Peter Russell-Clarke**, San Francisco, CA (US); **Christopher J. Stringer**, Woodside, CA (US); **Eugene Antony Whang**, San Francisco, CA (US); **Rico Zörkendörfer**, San Francisco, CA (US)

(73) Assignee: **Apple Inc.**, Cupertino, CA (US)

(*) Notice: This patent is subject to a terminal disclaimer.

(**) Term: **14 Years**

(21) Appl. No.: **29/477,996**

(22) Filed: **Dec. 30, 2013**

Related U.S. Application Data

(63) Continuation of application No. 29/415,148, filed on Mar. 8, 2012, now Pat. No. Des. 696,669, which is a continuation of application No. 29/415,035, filed on Mar. 6, 2012, now abandoned, and a continuation-in-part of application No. 29/415,062, filed on Mar. 7, 2012, now Pat. No. Des. 688,251, which is a continuation of application No. 29/415,035, filed on Mar. 6, 2012, now abandoned.

(51) **LOC (10) Cl.** 14-02

(52) **U.S. Cl.**
USPC **D14/440**

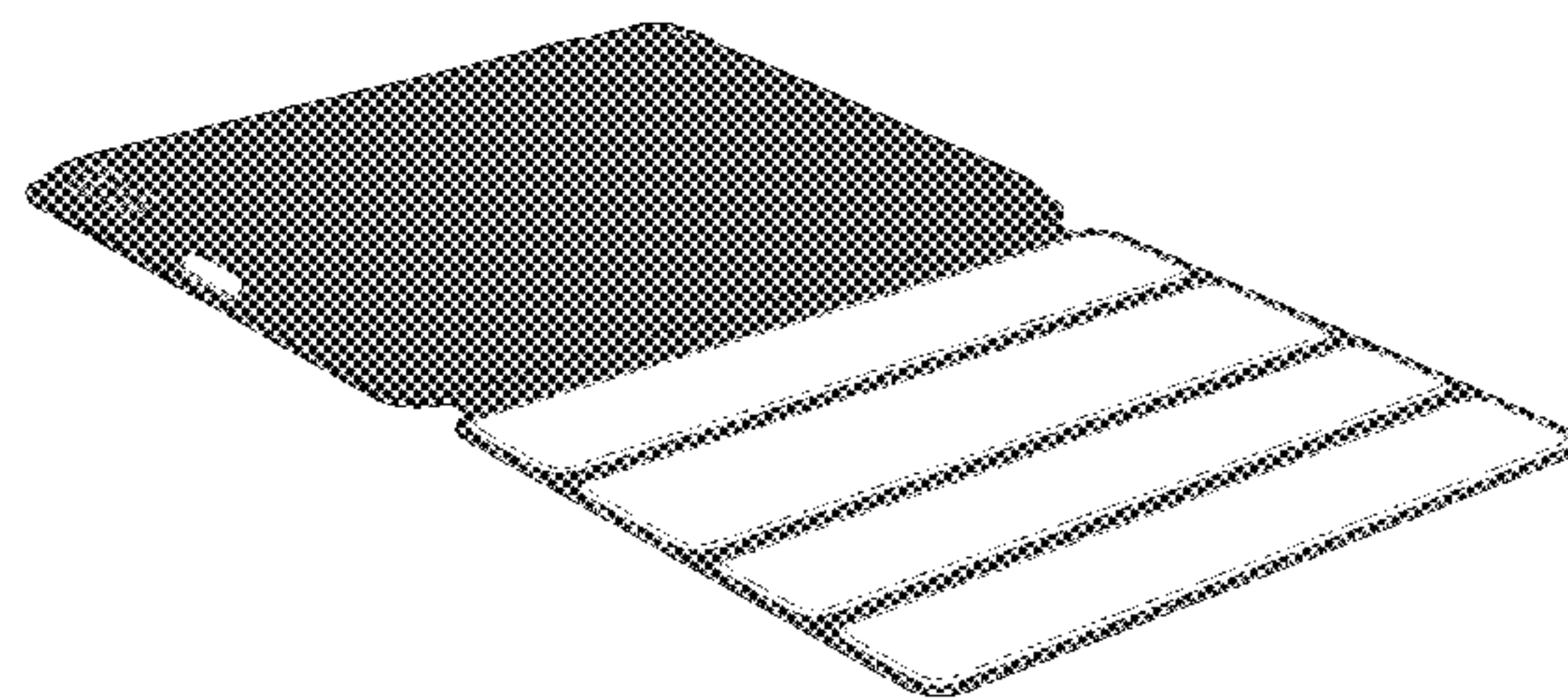
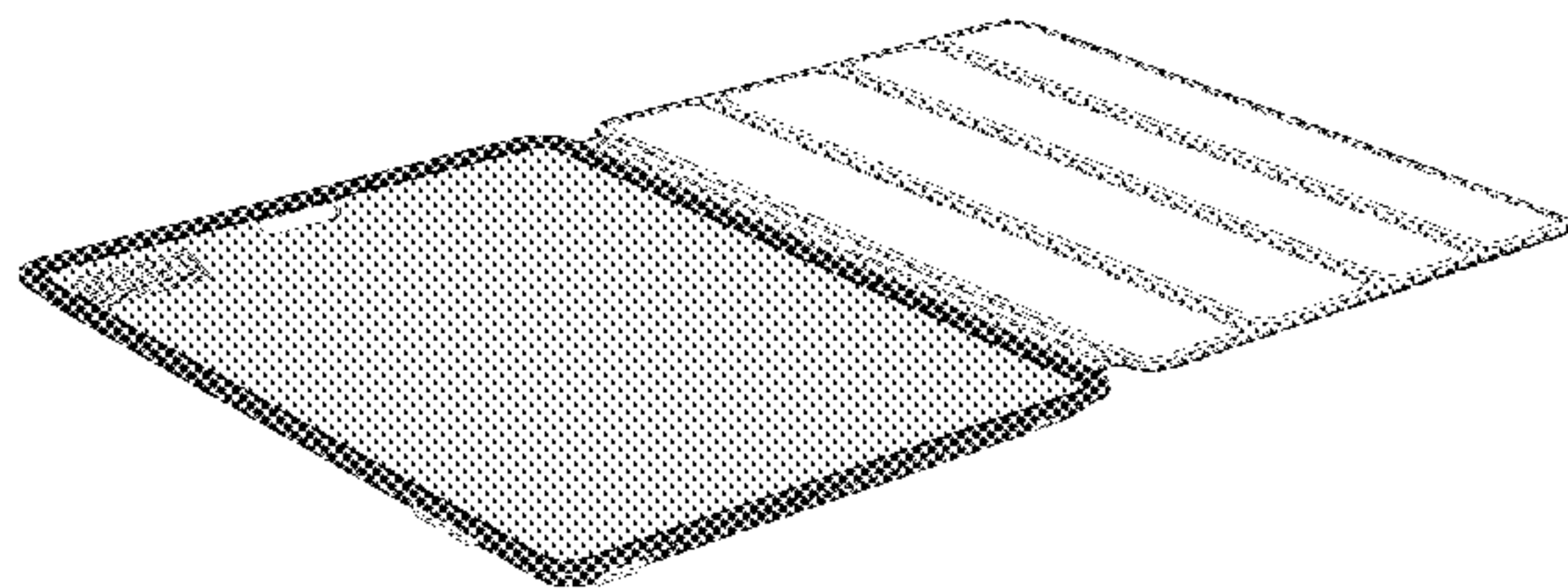
(58) **Field of Classification Search**
USPC D14/250, 251, 253, 240, 217, 496, D14/203.3, 203.4, 203.5, 203.8, 440, 238.1, D14/432, 439, 300; D3/201, 273, 274, 290, D3/294, 300-303, 315, 318, 319, D3/323-328; 190/100-127, 900-903; 361/679.56; 455/575.8; 292/342, 343; 248/371, 152, 174, 459

See application file for complete search history.

(56) **References Cited**

U.S. PATENT DOCUMENTS

1,370,279 A	3/1921	Burzynski	
2,726,835 A	12/1955	Iiummel	
2,968,176 A	1/1961	Collings	
3,442,371 A	5/1969	Deshong et al.	
D230,376 S	2/1974	Andrew	
4,318,527 A	3/1982	Smith	
4,718,550 A	1/1988	Johnson	
D321,855 S	11/1991	Ross, Jr.	
5,066,158 A	11/1991	Huang	
5,092,354 A	3/1992	Pacelli, Jr.	
D331,191 S	11/1992	Ventola et al.	
D356,120 S	3/1995	Allen	
D364,191 S	11/1995	Allen	
D409,667 S	5/1999	Riley et al.	
D454,110 S	3/2002	Andre et al.	
D467,429 S	12/2002	Bone et al.	
D512,100 S	11/2005	Howes et al.	
D538,096 S	3/2007	Bartell et al.	
D556,681 S	12/2007	Kim	
7,318,521 B2	1/2008	Lau	
D574,819 S	8/2008	Andre et al.	
D581,865 S	12/2008	Koza	
D582,405 S	12/2008	Andre et al.	
D583,479 S	12/2008	Yim	
D584,141 S	1/2009	Smith et al.	
D606,751 S	12/2009	Andre et al.	
D619,361 S	7/2010	Andre et al.	
D622,716 S	8/2010	Andre et al.	
D627,777 S	11/2010	Akana et al.	
D633,388 S	3/2011	Andre et al.	
D637,814 S	5/2011	Akana et al.	
D656,495 S	3/2012	Andre et al.	
8,143,982 B1 *	3/2012	Lauder et al. 335/219



D658,186	S	4/2012	Akana et al.	
D658,187	S	4/2012	Diebel	
D658,188	S	4/2012	Diebel	
D662,100	S	6/2012	Nieuwenhuizen et al.	
D662,503	S	6/2012	Akana et al.	
D663,304	S	7/2012	Akana et al.	
8,230,992	B2	7/2012	Law et al.	
8,235,208	B2	8/2012	Sirichai et al.	
8,245,843	B1	8/2012	Wu	
8,253,518	B2 *	8/2012	Lauder et al.	335/219
8,264,310	B2 *	9/2012	Lauder et al.	335/219
D670,692	S	11/2012	Akana et al.	
D671,114	S *	11/2012	Akana et al.	D14/341
D672,781	S	12/2012	Lu	
D673,158	S	12/2012	Yang et al.	
D678,260	S *	3/2013	Bau	D14/250
D679,279	S	4/2013	Yang et al.	
D685,800	S *	7/2013	Canizares et al.	D14/440
D685,801	S *	7/2013	Canizares et al.	D14/440
D685,802	S *	7/2013	Canizares et al.	D14/440
D685,803	S *	7/2013	Akana et al.	D14/440
D688,251	S *	8/2013	Akana et al.	D14/440
D689,498	S *	9/2013	Akana et al.	D14/440
D696,669	S	12/2013	Akana et al.	
D701,205	S *	3/2014	Akana et al.	D14/345
D703,209	S *	4/2014	Marcus	D14/440
D704,702	S *	5/2014	Akana et al.	D14/341
D711,887	S *	8/2014	Akana et al.	D14/440
8,794,436	B2 *	8/2014	Hsu	206/320
D712,393	S *	9/2014	Kim et al.	D14/250
2009/0107858	A1	4/2009	Huang	
2009/0194209	A1	8/2009	De Filippis et al.	
2010/0289390	A1	11/2010	Kenney	
2010/0300909	A1	12/2010	Hung	
2011/0164365	A1	7/2011	McClure et al.	
2011/0227463	A1 *	9/2011	Hou et al.	312/223.1
2012/0194448	A1	8/2012	Rothkopf	
2012/0211613	A1	8/2012	Yang et al.	
2012/0300383	A1 *	11/2012	Lauder et al.	361/679.26
2014/0124396	A1 *	5/2014	Igarashi	206/320

FOREIGN PATENT DOCUMENTS

AU	338106	S	8/2011
EM	001266266-0001		3/2011
EM	001266282-0001		3/2011
EM	001266290-0001		3/2011
GB	4020173	*	6/2011
TW	D154071	S	6/2013

OTHER PUBLICATIONS

Incase, "Introducing the Convertible Magazine Jacket for iPad," goincase.com, accessed at <<http://goincase.com/blog/2010/11/23/>>

introducing-the-convertible-magazine-jacket-for-ipad/ >, posted Nov. 23, 2010, 7 pages.

Case-Parts, "Original Targus Folding Genuine Leather Case for Apple iPad with Built-in Holder," <<http://www.case-parts.com/details/Original-Targus-Folding-Genuine-Leather-Case-for-Apple-iPad-with-Built-in-Holder-IPAD-570/photos.htm>>, 3 pages.

"Review: AViiQ Smart Case for iPad 2", which was published on YouTube at <http://www.youtube.com/watch?v=DaHjzeVWEuA>>, May 24, 2011, 3 pages.

"AViiQ Smart Case for iPad 2 compliments Apple's Smart Cover (Review)", which was published on YouTube at <<http://www.youtube.com/watch?v=wMoZM-ZSn4g>>, Aug. 31, 2011, 2 pages.

Youtube.com, "iPad 2—Best Protective Case—Smart Cover + Smart Back Cover by Simplism", <<http://www.youtube.com/watch?v=SRHhU98NAd0&feature=endscreen&NR=1>>, May 15, 2011, 2 pages.

* cited by examiner

Primary Examiner — Carla Jobe Wright

Assistant Examiner — Holly E Thurman

(74) *Attorney, Agent, or Firm* — Sterne, Kessler, Goldstein & Fox P.L.L.C.

(57) **CLAIM**

The ornamental design for a case, as shown and described.

DESCRIPTION

FIG. 1 is a top front perspective view of a case in an open position, showing our new design;

FIG. 2 is a bottom rear perspective view thereof;

FIG. 3 is a front view thereof;

FIG. 4 is a rear view thereof;

FIG. 5 is a bottom view thereof;

FIG. 6 is a top view thereof;

FIG. 7 is a left side view thereof; and,

FIG. 8 is a right side view thereof.

The dark and light gray tones in the Figures represent a contrast in appearance.

The broken lines in the Figures that delineate through holes represent boundaries of the claimed design. All other broken lines depict unclaimed environment. The broken lines and through holes bounded by broken lines form no part of the claimed design.

1 Claim, 3 Drawing Sheets

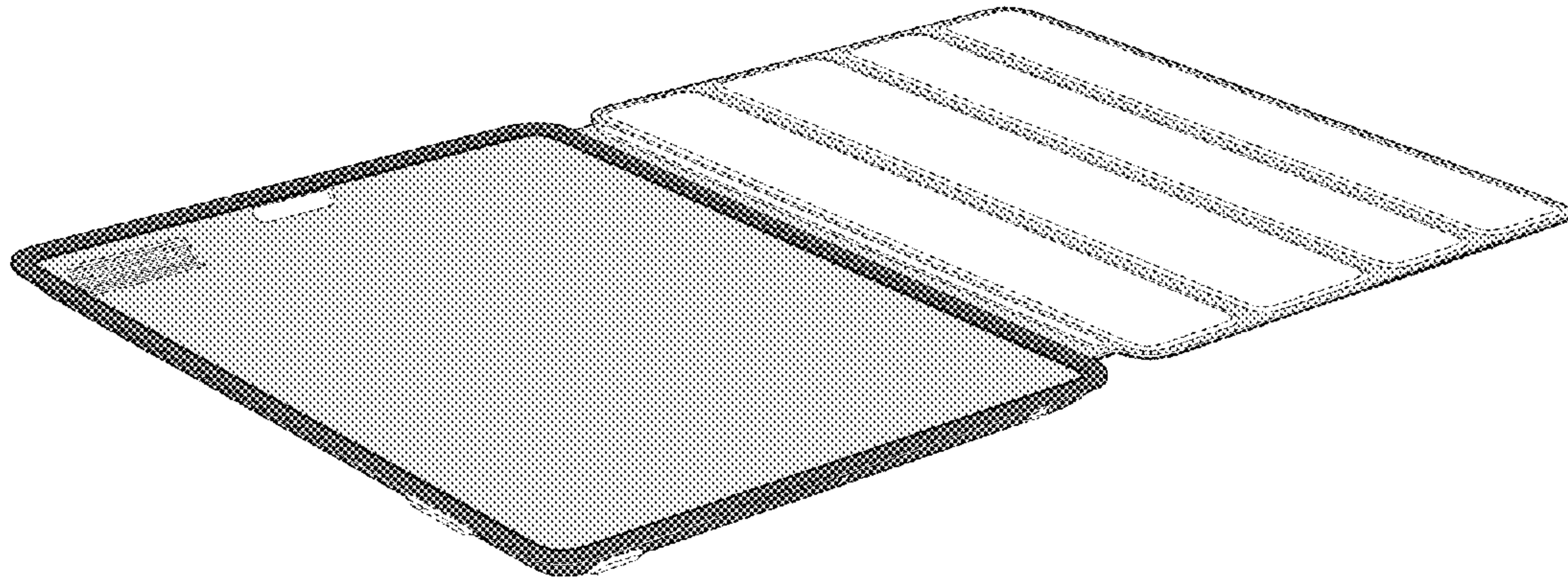


FIG. 1

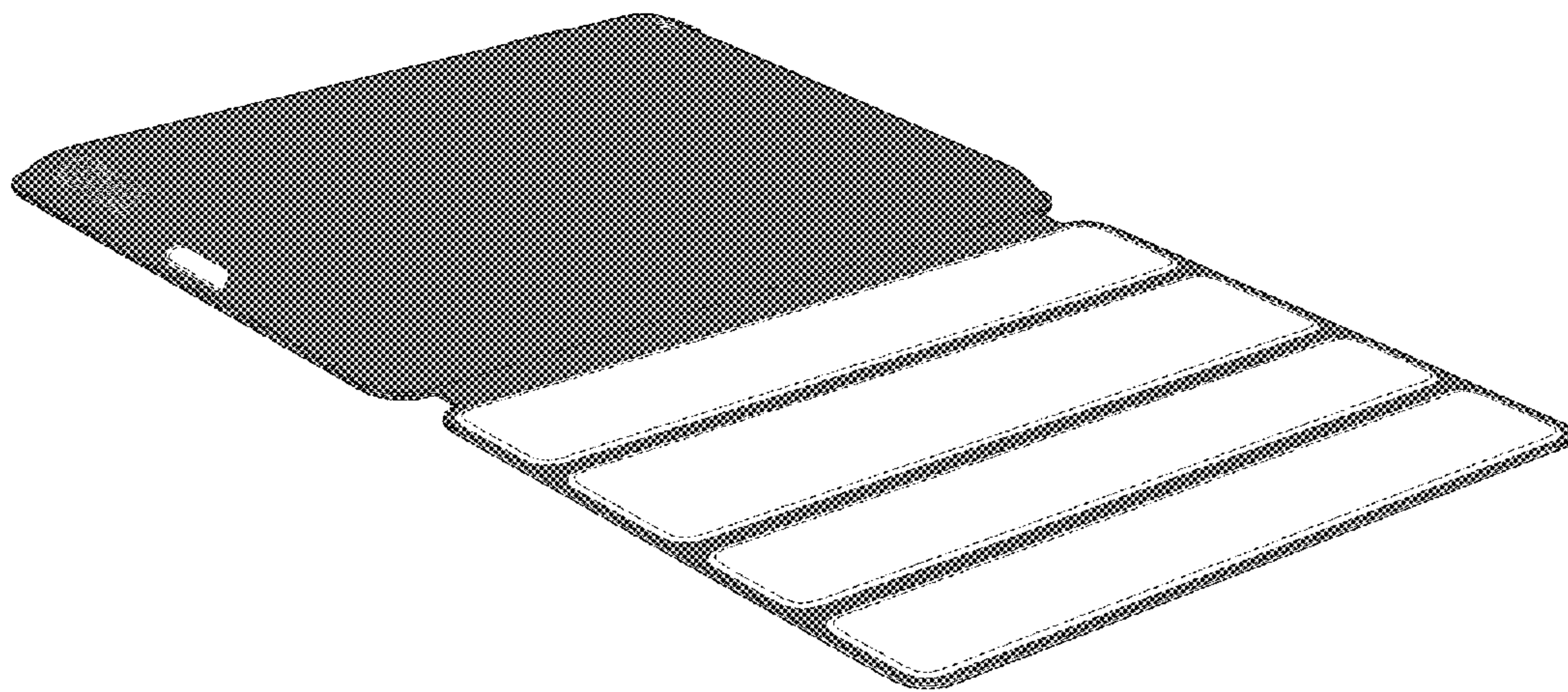


FIG. 2

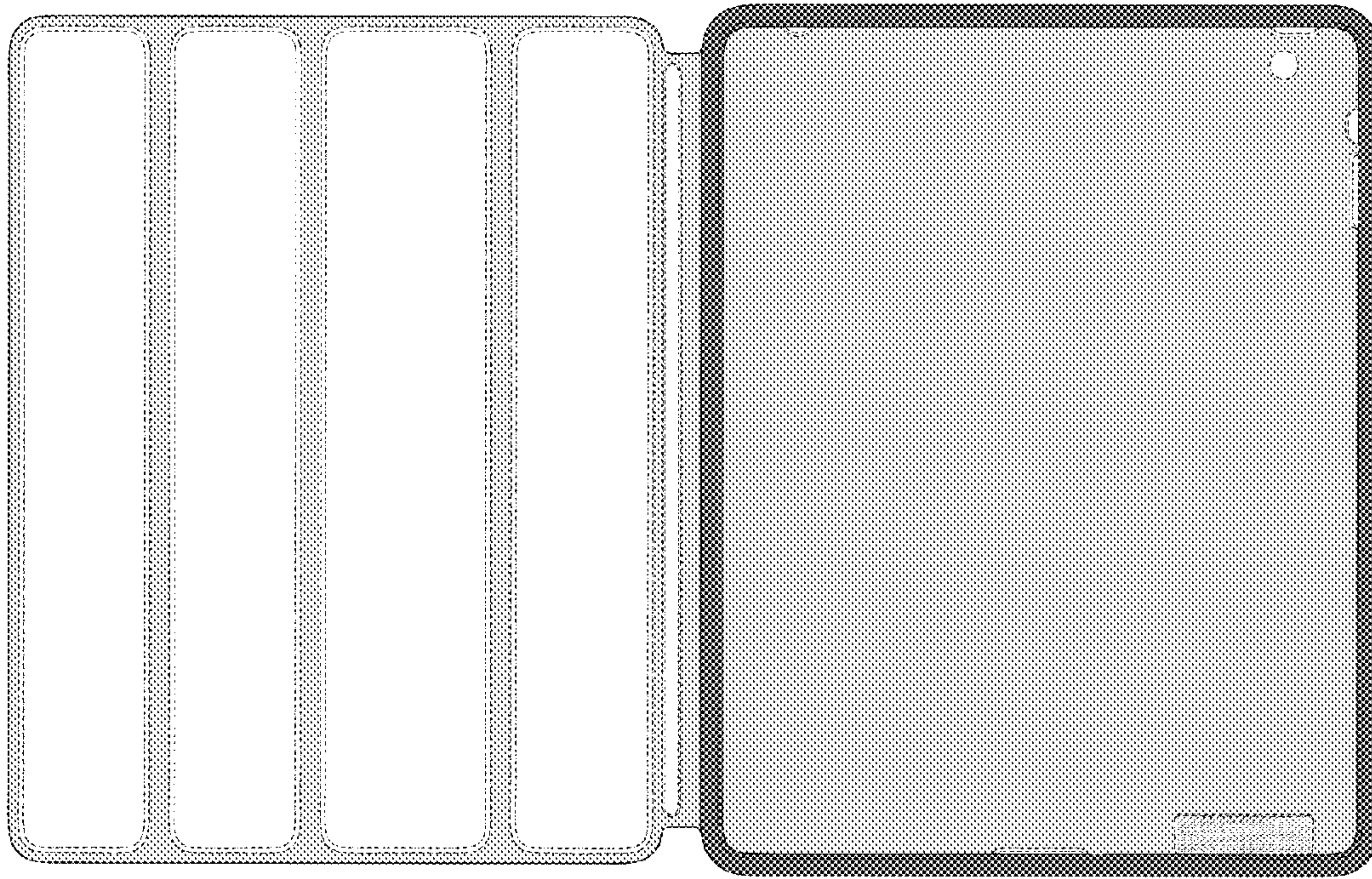


FIG. 3

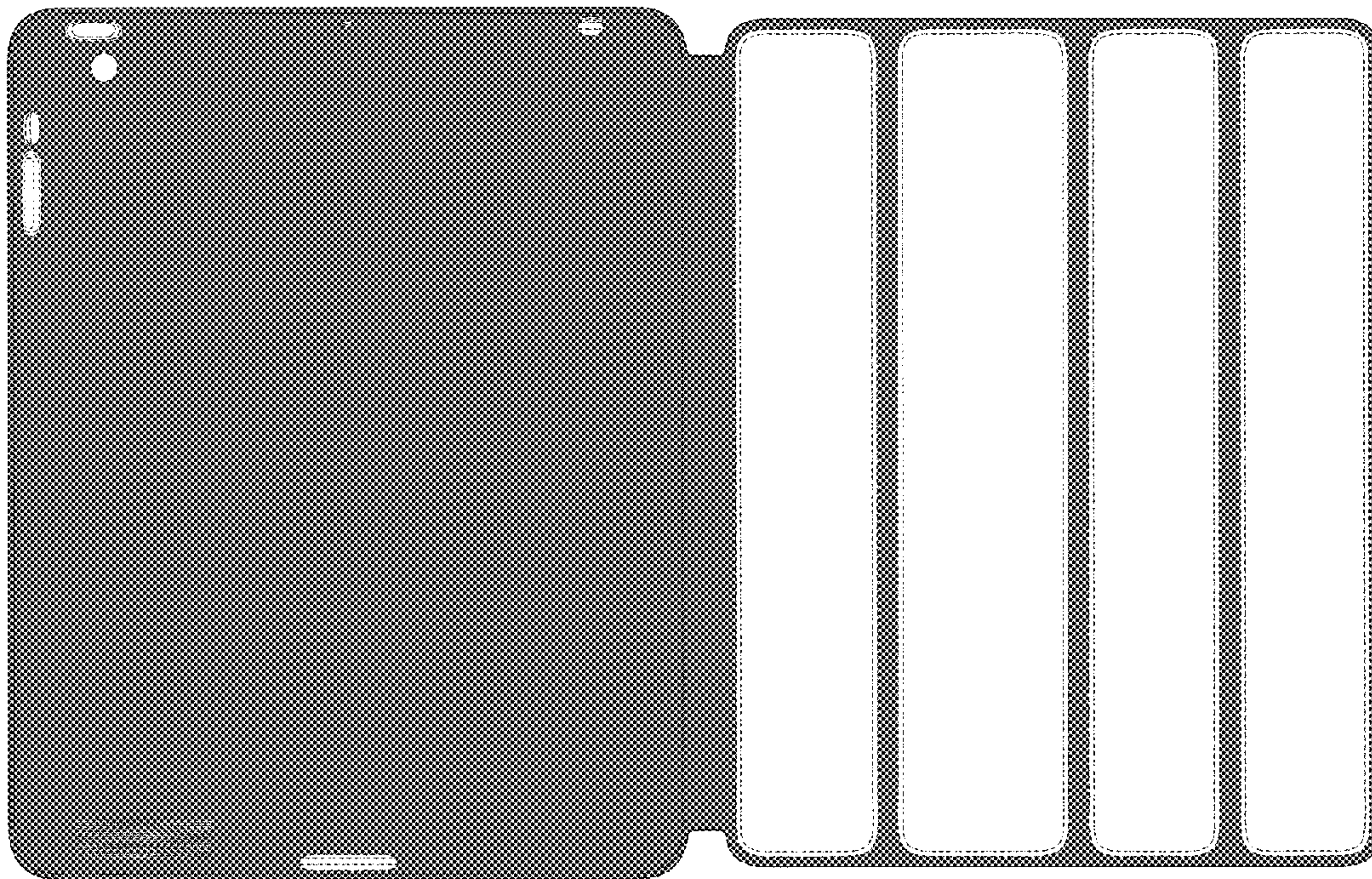


FIG. 4

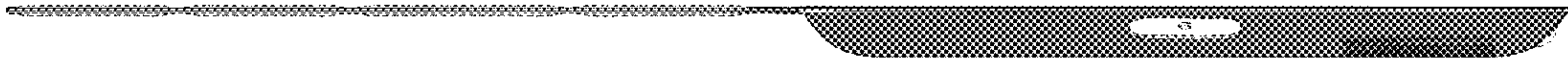


FIG. 5



FIG. 6

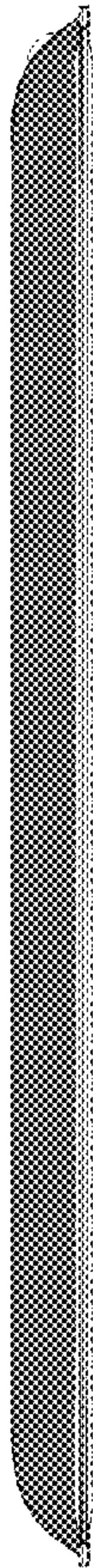


FIG. 7

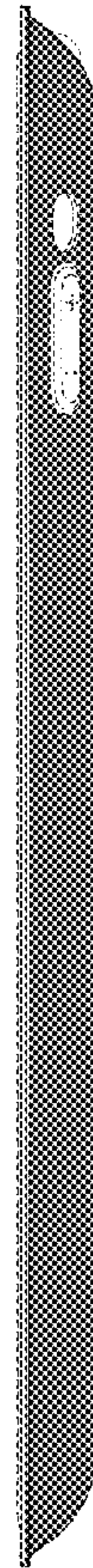


FIG. 8

UNITED STATES PATENT AND TRADEMARK OFFICE
CERTIFICATE OF CORRECTION

PATENT NO. : D745,011 S
APPLICATION NO. : 29/477996
DATED : December 8, 2015
INVENTOR(S) : Jody Akana et al.

Page 1 of 5

It is certified that error appears in the above-identified patent and that said Letters Patent is hereby corrected as shown below:

Delete the title page and substitute therefore with the attached title page consisting of the corrected illustrative figure(s).

Please replace FIGS. 1-8 with FIGS. 1-8 as shown on the attached pages.

Signed and Sealed this
Thirty-first Day of May, 2016



Michelle K. Lee
Director of the United States Patent and Trademark Office

(12) **United States Design Patent**
Akana et al.

(10) **Patent No.:** **US D745,011 S**
(45) **Date of Patent:** **** *Dec. 8, 2015**

(54) **CASE**

(71) Applicant: **Apple Inc.**, Cupertino, CA (US)

(72) Inventors: **Jody Akana**, San Francisco, CA (US); **Bartley K. Andre**, Palo Alto, CA (US); **Jeremy Bataillou**, San Francisco, CA (US); **Daniel J. Coster**, San Francisco, CA (US); **Daniele De Iullis**, San Francisco, CA (US); **M. Evans Hankey**, San Francisco, CA (US); **Julian Hoenig**, San Francisco, CA (US); **Richard P. Howarth**, San Francisco, CA (US); **Jonathan P. Ive**, San Francisco, CA (US); **Duncan Robert Kerr**, San Francisco, CA (US); **Shin Nishibori**, Kailua, HI (US); **Matthew Dean Rohrbach**, San Francisco, CA (US); **Peter Russell-Clarke**, San Francisco, CA (US); **Christopher J. Stringer**, Woodside, CA (US); **Eugene Antony Whang**, San Francisco, CA (US); **Rico Zörkendörfer**, San Francisco, CA (US)

(73) Assignee: **Apple Inc.**, Cupertino, CA (US)

(*) Notice: This patent is subject to a terminal disclaimer.

(**) Term: **14 Years**

(21) Appl. No.: **29/477,996**

(22) Filed: **Dec. 30, 2013**

Related U.S. Application Data

(63) Continuation of application No. 29/415,148, filed on Mar. 8, 2012, now Pat. No. Des. 696,669, which is a continuation of application No. 29/415,035, filed on Mar. 6, 2012, now abandoned, and a continuation-in-part of application No. 29/415,062, filed on Mar. 7, 2012, now Pat. No. Des. 688,251, which is a continuation of application No. 29/415,035, filed on Mar. 6, 2012, now abandoned.

(51) **LOC (10) CL.** **14-02**

(52) **U.S. Cl.**
USPC **D14/440**

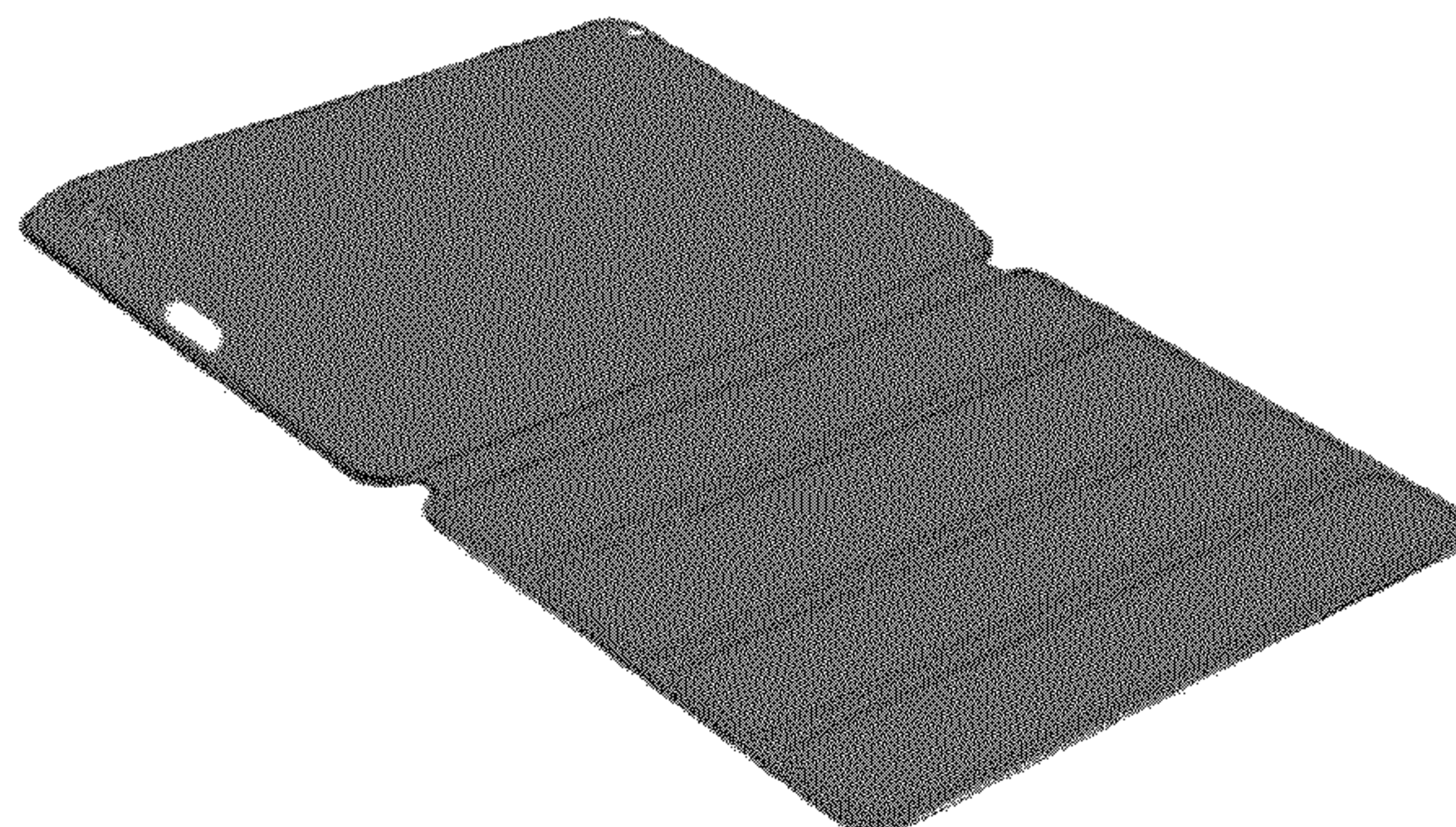
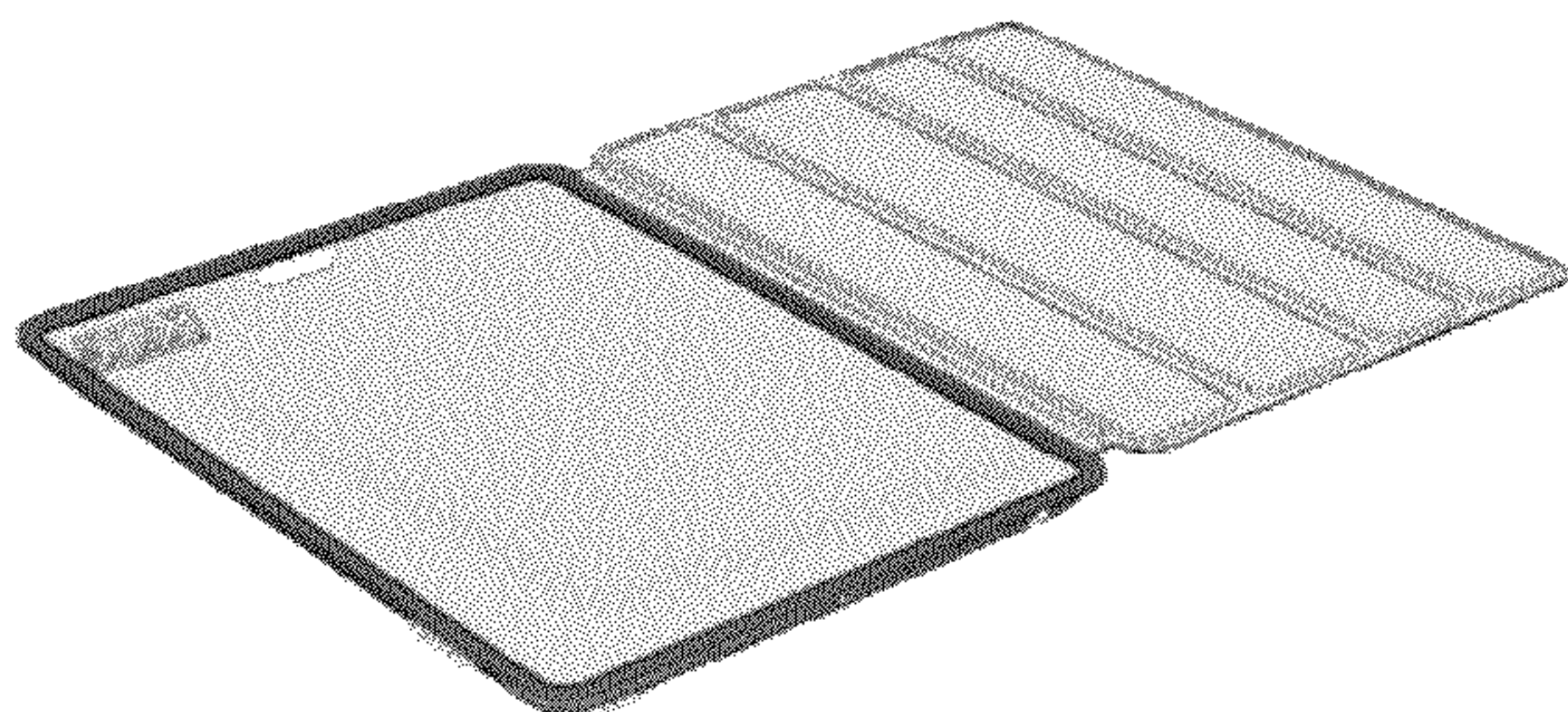
(58) **Field of Classification Search**
USPC D14/250, 251, 253, 240, 217, 496, D14/203.3, 203.4, 203.5, 203.8, 440, 238.1, D14/432, 439, 300; D3/201, 273, 274, 290, D3/294, 300-303, 315, 318, 319, D3/323-328; 190/100-127, 900-903; 361/679.56; 455/575.8; 292/342, 343; 248/371, 152, 174, 459

See application file for complete search history.

(56) **References Cited**

U.S. PATENT DOCUMENTS

1,370,279	A	3/1921	Burzynski
2,726,835	A	12/1955	Iiummel
2,968,176	A	1/1961	Collings
3,442,371	A	5/1969	Deshong et al.
D230,376	S	2/1974	Andrew
4,318,527	A	3/1982	Smith
4,718,550	A	1/1988	Johnson
D321,855	S	11/1991	Ross, Jr.
5,066,158	A	11/1991	Huang
5,092,354	A	3/1992	Pacelli, Jr.
D331,191	S	11/1992	Ventola et al.
D356,120	S	3/1995	Allen
D364,191	S	11/1995	Allen
D409,667	S	5/1999	Riley et al.
D454,110	S	3/2002	Andre et al.
D467,429	S	12/2002	Bone et al.
D512,100	S	11/2005	Howes et al.
D538,096	S	3/2007	Bartell et al.
D556,681	S	12/2007	Kim
7,318,521	B2	1/2008	Lau
D574,819	S	8/2008	Andre et al.
D581,865	S	12/2008	Koza
D582,405	S	12/2008	Andre et al.
D583,479	S	12/2008	Yim
D584,141	S	1/2009	Smith et al.
D606,751	S	12/2009	Andre et al.
D619,361	S	7/2010	Andre et al.
D622,716	S	8/2010	Andre et al.
D627,777	S	11/2010	Akana et al.
D633,388	S	3/2011	Andre et al.
D637,814	S	5/2011	Akana et al.
D656,495	S	3/2012	Andre et al.
8,143,982	B1 *	3/2012	Lauder et al. 335/219



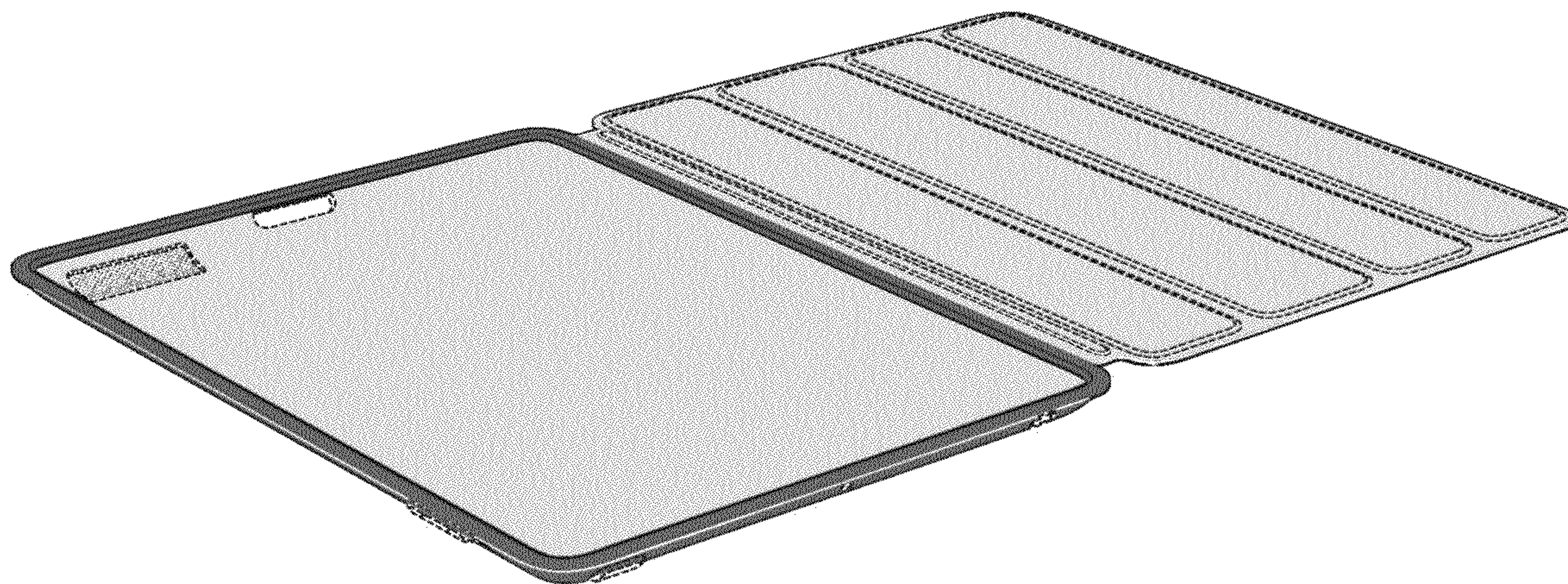


FIG. 1

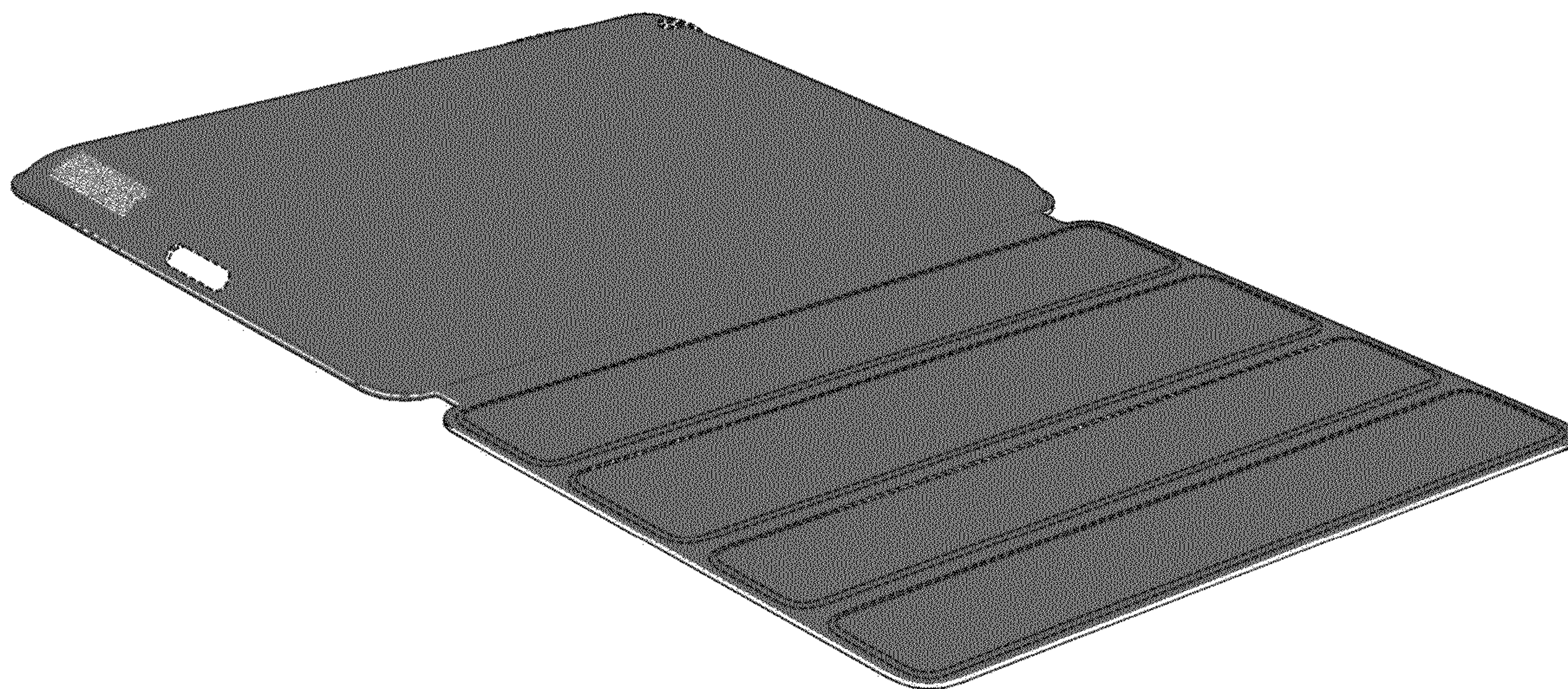


FIG. 2

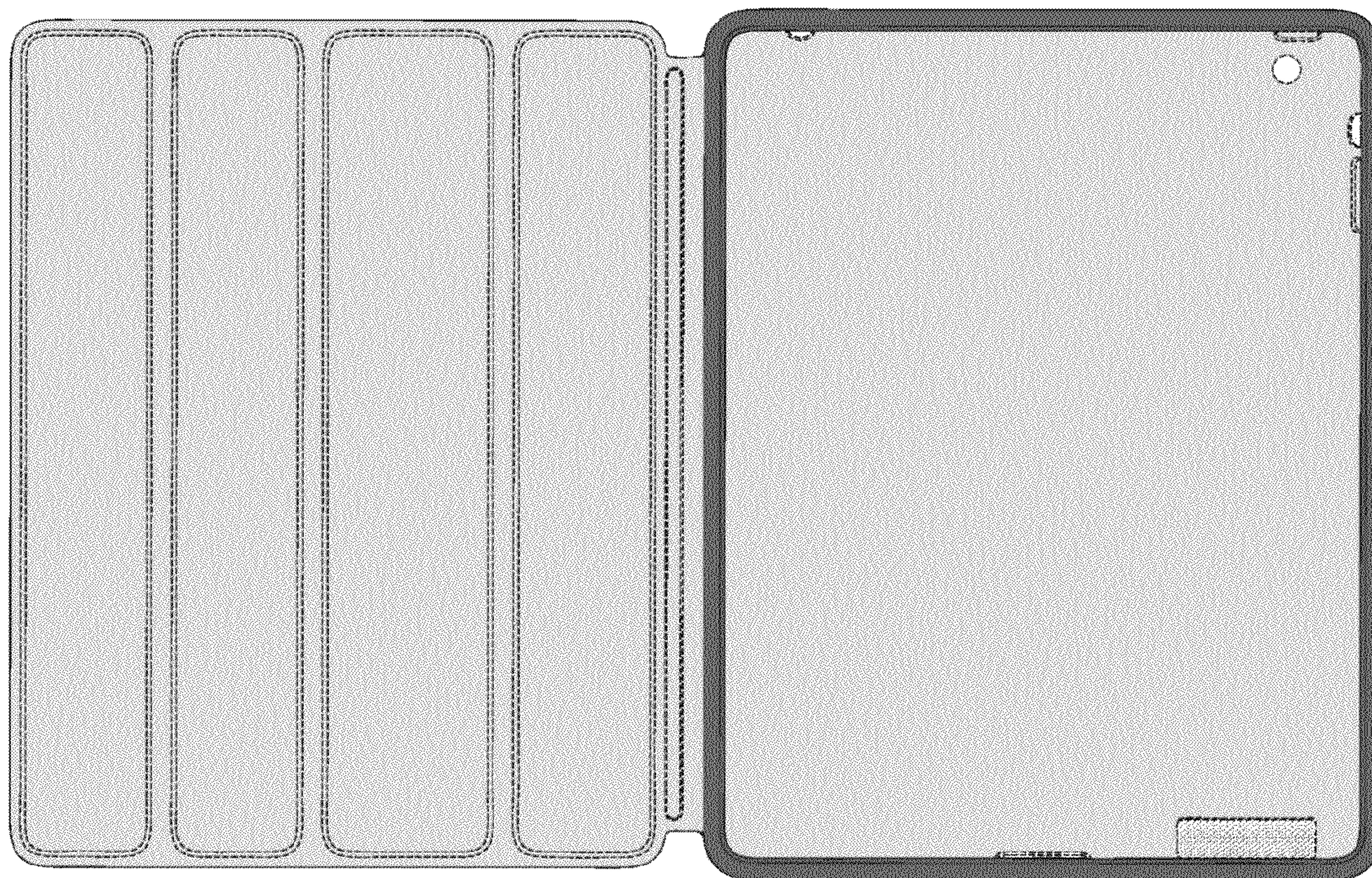


FIG. 3

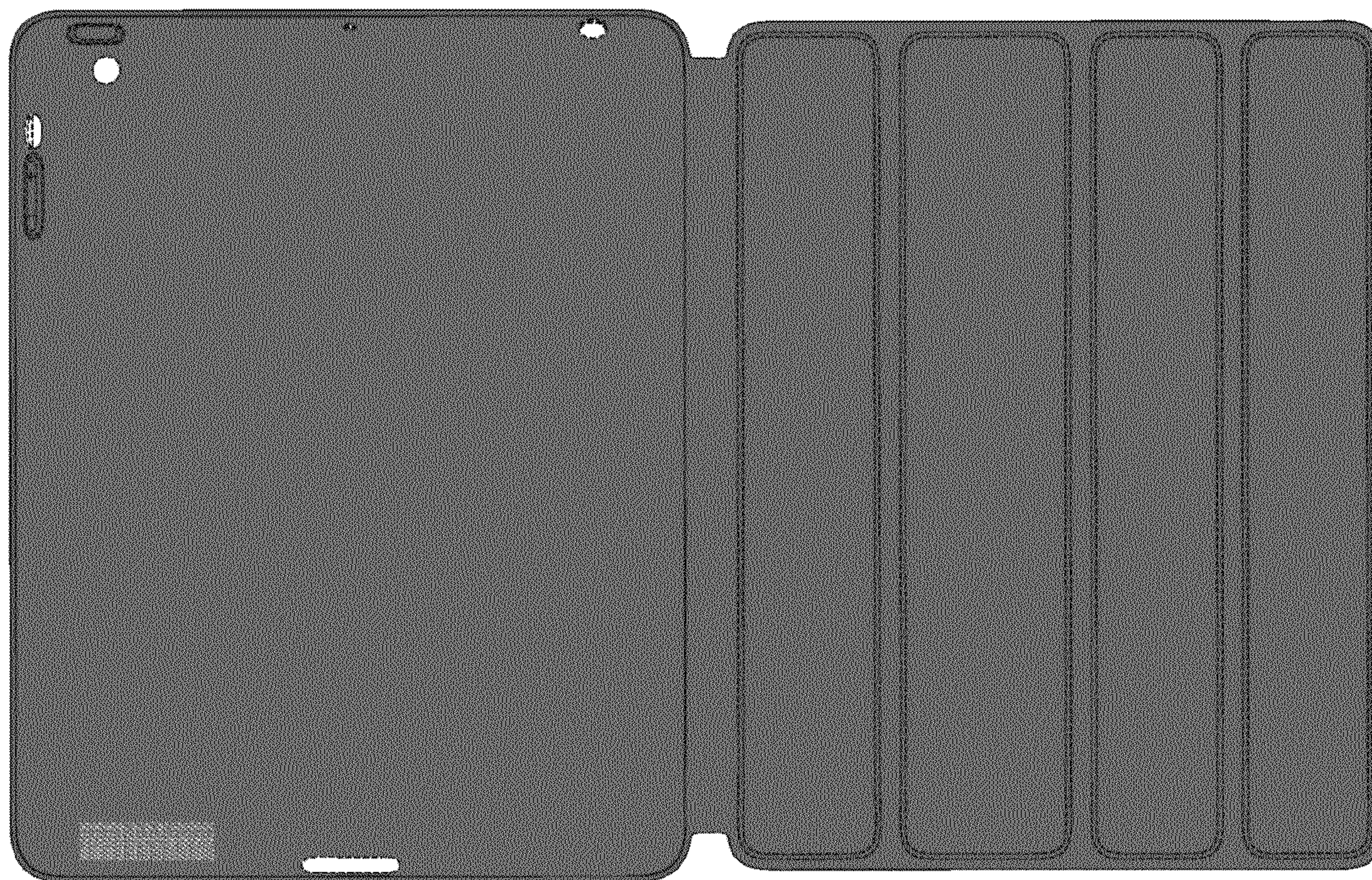


FIG. 4



FIG. 5

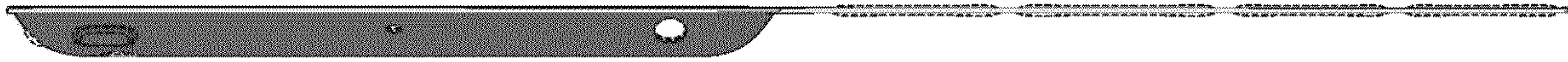


FIG. 6



FIG. 7

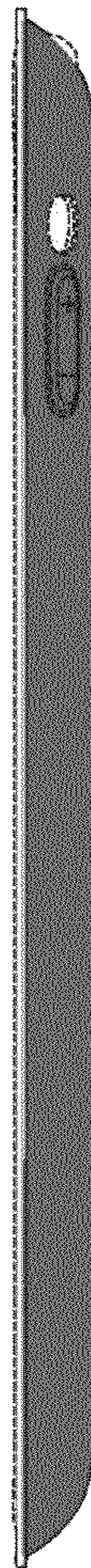


FIG. 8