



US00D745006S

(12) **United States Design Patent**
Hirakata et al.

(10) **Patent No.:** **US D745,006 S**
(45) **Date of Patent:** **** Dec. 8, 2015**

(54) **IMAGE DISPLAY DEVICE**

(56) **References Cited**

(71) Applicant: **SEMICONDUCTOR ENERGY LABORATORY CO., LTD.**, Atsugi-shi, Kanagawa-ken (JP)

U.S. PATENT DOCUMENTS

715,376 A * 12/1902 Harper 40/733
3,292,285 A * 12/1966 Kitayama 40/701

(72) Inventors: **Yoshiharu Hirakata**, Kanagawa (JP);
Akio Endo, Kanagawa (JP)

(Continued)

FOREIGN PATENT DOCUMENTS

(73) Assignee: **Semiconductor Energy Laboratory Co., Ltd.**, Kanagawa-ken (JP)

KR 30-0473786 12/2007
TW D149341 9/2012

(**) Term: **14 Years**

OTHER PUBLICATIONS

Bendable OLED panel (GEEK), available Jun. 6, 2014, [online], [site visited May 7, 2015]. Available from internet, <URL: <http://www.geek.com/mobile/bendable-oled-display-can-withstand-100000-folds-1596020/>>.*

(21) Appl. No.: **29/478,750**

(Continued)

(22) Filed: **Jan. 8, 2014**

(30) **Foreign Application Priority Data**

Jul. 10, 2013 (JP) 2013-015823

Jul. 10, 2013 (JP) 2013-015824

(51) **LOC (10) Cl.** **14-02**

(52) **U.S. Cl.**
USPC **D14/345**; D14/341

(58) **Field of Classification Search**
USPC D14/315-318, 341-344, 129, 130, 496, D14/137, 138 R, 138 AA, 138 C, 138 G, D14/138 AB, 147, 203.1, 203.3, 203.4, D14/203.7, 247, 389, 371, 374; D6/300-302, 308, 310, 312, 332; D18/6, 7; D21/324, 329, 330, 332, D21/478-480, 484, 491, 492, 500-502; 455/556.2, 566; 379/916, 433.04, 379/433.1; 345/901, 905, 173; 361/679.26, 361/679.3, 679.55, 679.56; D25/48.4, 58; 297/17, 16.1, 45; D20/10, 21; 52/234; 160/118
CPC ... G06F 1/1616; G06F 1/1652; G06F 1/1647; G06F 1/1618; G06F 1/1641; H04M 1/0216; H04M 1/0268; H04M 1/0214; H04M 1/0247; A47G 1/065; A47G 5/00; A47G 1/04; G09G 2300/023

See application file for complete search history.

Primary Examiner — Cathron Brooks

Assistant Examiner — Teddy Falloway

(74) *Attorney, Agent, or Firm* — Nixon Peabody LLP; Jeffrey L. Costellia

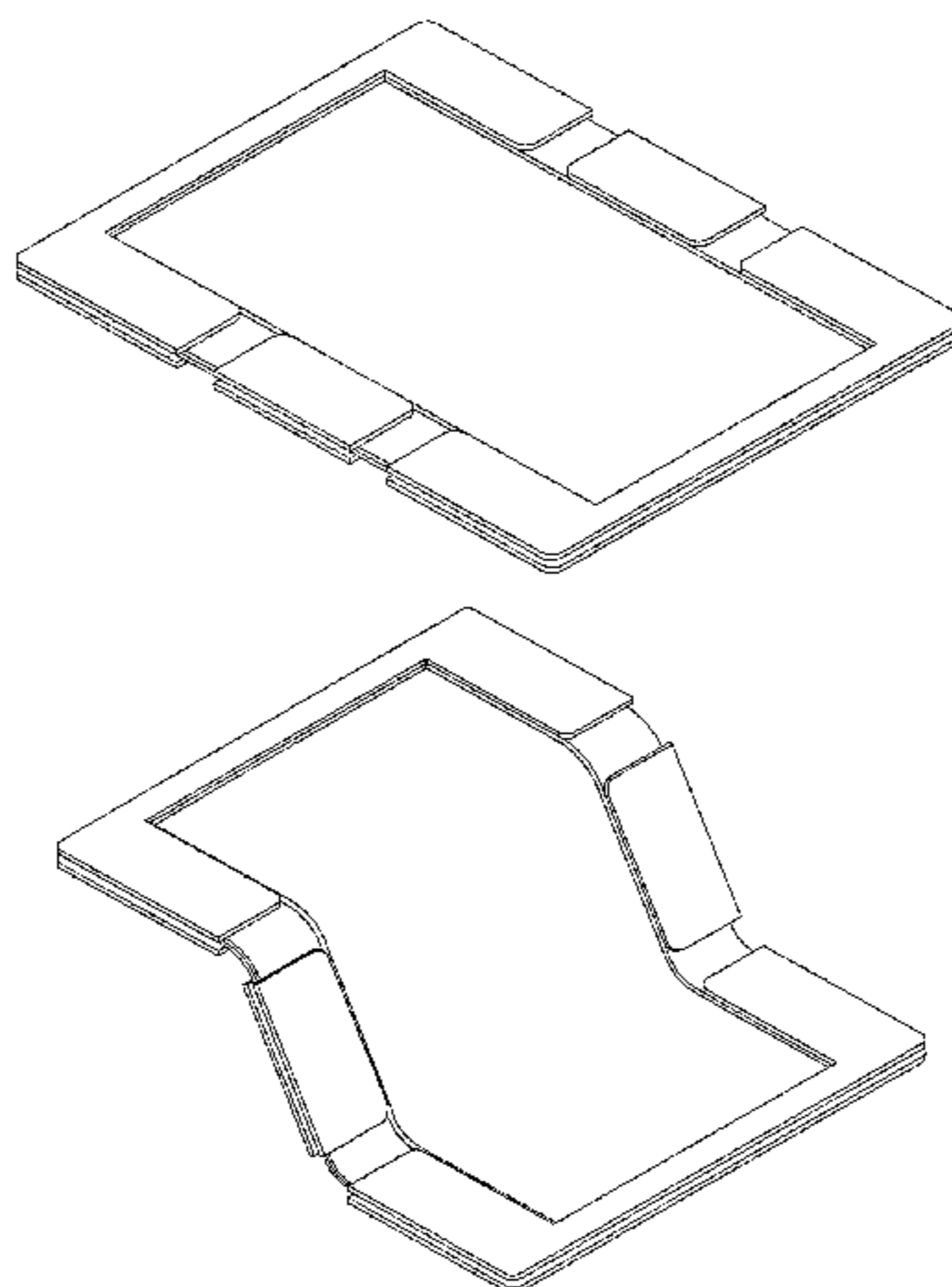
(57) **CLAIM**

We claim, the ornamental design for an image display device, as shown and described.

DESCRIPTION

FIG. 1 is a front view of an image display device showing our new design;
FIG. 2 is a rear view thereof;
FIG. 3 is a right side view thereof;
FIG. 4 is a left side view thereof;
FIG. 5 is a top plan view thereof;
FIG. 6 is a bottom plan view thereof;
FIG. 7 is a bottom right side perspective view thereof;
FIG. 8 is an additional bottom right side perspective view thereof, in a state in which the image display device is partly bent; and,
FIG. 9 is an additional bottom right side perspective view thereof, in a state in which the image display device is folded. The broken lines in the figures show portions of the image display device that form no part of the claimed design. The image display device includes a flexible display that can be used while in a bent state.

1 Claim, 6 Drawing Sheets



(56)

References Cited

U.S. PATENT DOCUMENTS

4,106,544 A * 8/1978 Dixon et al. 160/199
 D357,707 S * 4/1995 Moore D20/10
 D370,129 S * 5/1996 Freudenfeld D6/301
 5,626,926 A * 5/1997 Roberts 428/14
 D406,468 S * 3/1999 Byers D6/312
 5,887,373 A * 3/1999 Byers 40/733
 D415,619 S * 10/1999 Gandy D6/301
 D424,971 S * 5/2000 Churchville D11/132
 D426,391 S * 6/2000 Rowan D6/332
 6,353,529 B1 * 3/2002 Cies 361/679.05
 6,421,942 B1 * 7/2002 Galello 40/738
 D477,634 S * 7/2003 Malone D19/26
 6,637,139 B1 * 10/2003 Chan 40/725
 D483,575 S * 12/2003 Chan D6/310
 D514,826 S * 2/2006 Sakaguchi D6/312
 D543,707 S * 6/2007 Chan D6/312
 D544,922 S * 6/2007 Shaffer D20/10
 D552,851 S * 10/2007 Abrahamian D6/301
 D572,024 S * 7/2008 Shapiro D6/301
 7,469,961 B2 * 12/2008 Liu 297/16.1
 D590,365 S * 4/2009 Kim et al. D14/138 AB
 7,522,944 B2 * 4/2009 Hyun et al. 455/575.1
 D594,028 S * 6/2009 Fuchsberg et al. D14/496
 7,920,320 B2 * 4/2011 Watson et al. 359/296
 8,005,522 B2 * 8/2011 Ou 455/575.3
 D653,226 S * 1/2012 Nara D14/138 AB
 8,393,749 B1 * 3/2013 Daicos 362/142
 D694,754 S * 12/2013 Nakada D14/373
 8,605,421 B2 * 12/2013 Verschoor et al. 361/679.3
 8,971,031 B2 * 3/2015 Mok et al. 361/679.27
 9,013,864 B2 * 4/2015 Griffin et al. 361/679.21
 2003/0217817 A1 * 11/2003 Niehausmeier 160/118
 2004/0212602 A1 * 10/2004 Nako et al. 345/173
 2006/0146488 A1 * 7/2006 Kimmel 361/681
 2010/0064564 A1 * 3/2010 Bemelmans et al. 40/607.01
 2010/0157518 A1 * 6/2010 Ladouceur et al. 361/679.09
 2010/0201604 A1 * 8/2010 Kee et al. 345/1.3
 2011/0241998 A1 * 10/2011 McKinney et al. 345/168
 2011/0242026 A1 * 10/2011 Ishigaki 345/173
 2012/0001858 A1 * 1/2012 Matsuda et al. 345/173
 2012/0002360 A1 * 1/2012 Seo et al. 361/679.01
 2012/0044620 A1 * 2/2012 Song et al. 361/679.01
 2012/0206896 A1 * 8/2012 Suzuki et al. 361/807
 2012/0264489 A1 * 10/2012 Choi et al. 455/566
 2013/0053100 A1 * 2/2013 Song et al. 455/556.1
 2013/0307805 A1 * 11/2013 Arai 345/173
 2013/0307816 A1 * 11/2013 Lee et al. 345/174
 2013/0342090 A1 * 12/2013 Ahn et al. 312/258
 2014/0003006 A1 * 1/2014 Ahn 361/749
 2014/0054935 A1 * 2/2014 Loney 297/16.1
 2014/0111954 A1 * 4/2014 Lee et al. 361/749

2014/0213324 A1 * 7/2014 Tan et al. 455/566
 2014/0218321 A1 * 8/2014 Lee et al. 345/173
 2014/0240264 A1 * 8/2014 Im et al. 345/173
 2014/0319550 A1 * 10/2014 Yamazaki et al. 257/88
 2014/0347806 A1 * 11/2014 Totani 361/679.27
 2015/0055287 A1 * 2/2015 Seo 361/679.27
 2015/0062028 A1 * 3/2015 Go et al. 345/173
 2015/0062927 A1 * 3/2015 Hirakata et al. 362/362
 2015/0116917 A1 * 4/2015 Aono 361/679.04

OTHER PUBLICATIONS

OLED folding screen (OH GIZMO!), available Nov. 3, 2014, [online], [site visited May 7, 2015]. Available from internet, <URL: <http://www.ohgizmo.com/2014/11/03/prototype-oled-screen-can-fold-thirds/>.*

Feno notebook (Yanko Design), available May 2, 2011, [online], [site visited May 13, 2015]. Available from internet, <URL: <http://www.yankodesign.com/2011/05/02/a-different-kind-of-fold/>.*

Flexbook (designboom), available May 11, 2011, [online], [site visited May 13, 2015]. Available from internet, <URL: <http://www.designboom.com/design/flexbook-by-hao-chun-huang-fujitsu-design-award-2011-competition-shortlisted-entry/>.*

Kyocera EOS (engadget), available Apr. 16, 2009, [online], [site visited May 13, 2015]. Available from internet, <URL: <http://www.engadget.com/2009/04/16/kyocera-shows-off-preposterous-beautiful-eos-folding-oled-phone/>.*

iPhone flexible concepts (Concept Phones), available Apr. 30, 2012, [online], [site visited May 13, 2015]. Available from internet, <URL: <http://www.concept-phones.com/apple/seamless-flexible-display-iphone-concepts-ace-jockey/>.*

Foldable Display (OH GIZMO!), available Jan. 8, 2009, [online], [site visited May 7, 2015]. Available from internet, <URL: <http://www.ohgizmo.com/2009/01/08/ces-2009-oled-association-shows-off-a-bunch-of-cool-toys-including-the-worlds-first-foldable-amoled-display/>.*

Schott Flexible Glass, available Dec. 19, 2012, [online], [site visited May 13, 2015]. Available from internet, <URL: http://www.us.schott.com/advanced_optics/english/products/wafers-and-thin-glass/glass-wafer-and-substrates/ultra-thin-glass/index.html.*

Taiwanese Office Action (Application No. 103300173) Dated Jun. 19, 2014.

Yamazaki et al., "Portable Information Terminal", U.S. Appl. No. 29/478,786, filed Jan. 8, 2014, Specification and Drawings.

Yamazaki et al., "Portable Information Terminal", U.S. Appl. No. 29/478,747, filed Jan. 8, 2014, Specification and Drawings.

Yamazaki et al., "Portable Information Terminal", U.S. Appl. No. 29/478,760, filed Jan. 8, 2014, Specification and Drawings.

Yamazaki et al., "Portable Information Terminal", U.S. Appl. No. 29/478,765, filed Jan. 8, 2014, Specification and Drawings.

* cited by examiner

FIG. 1

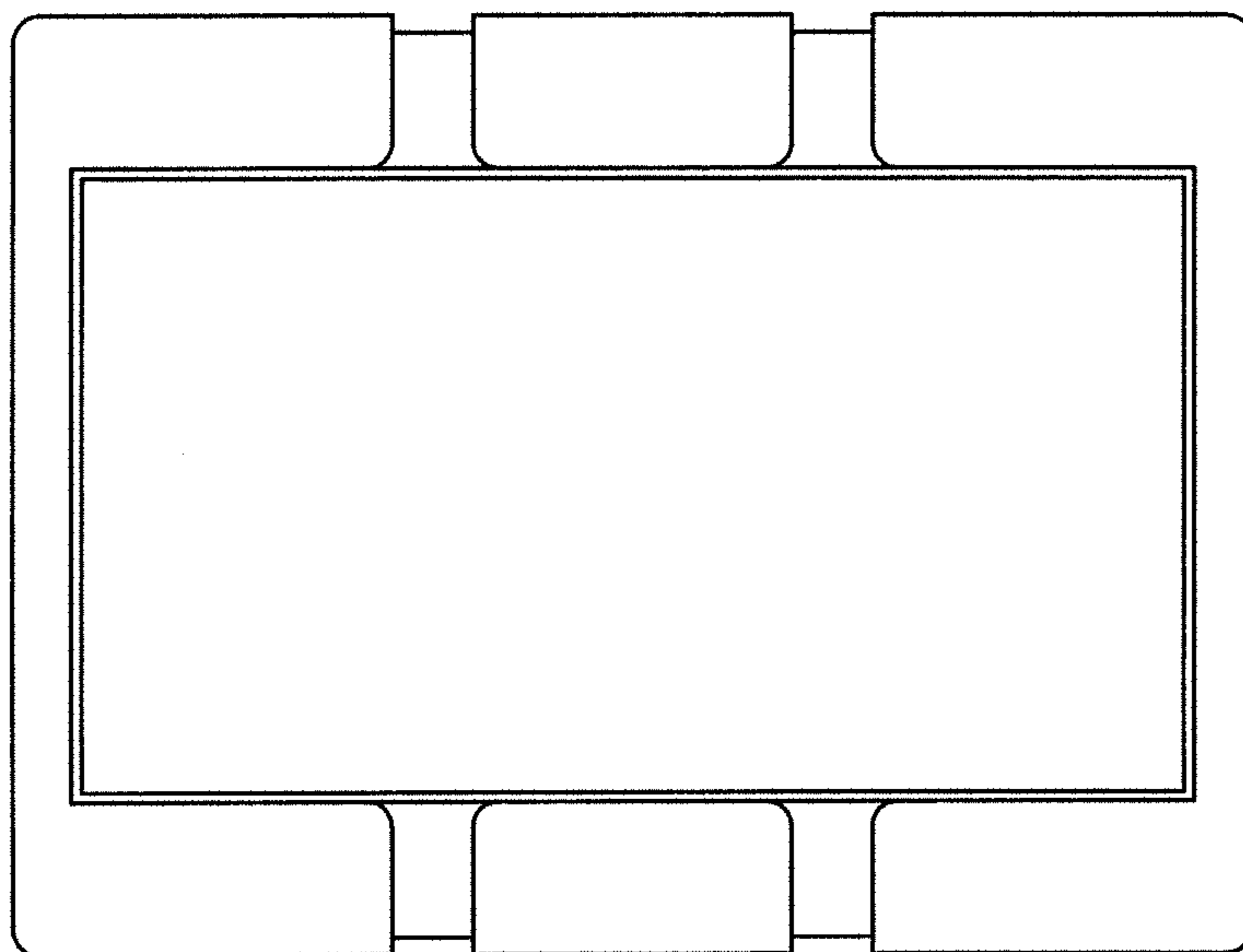


FIG. 2

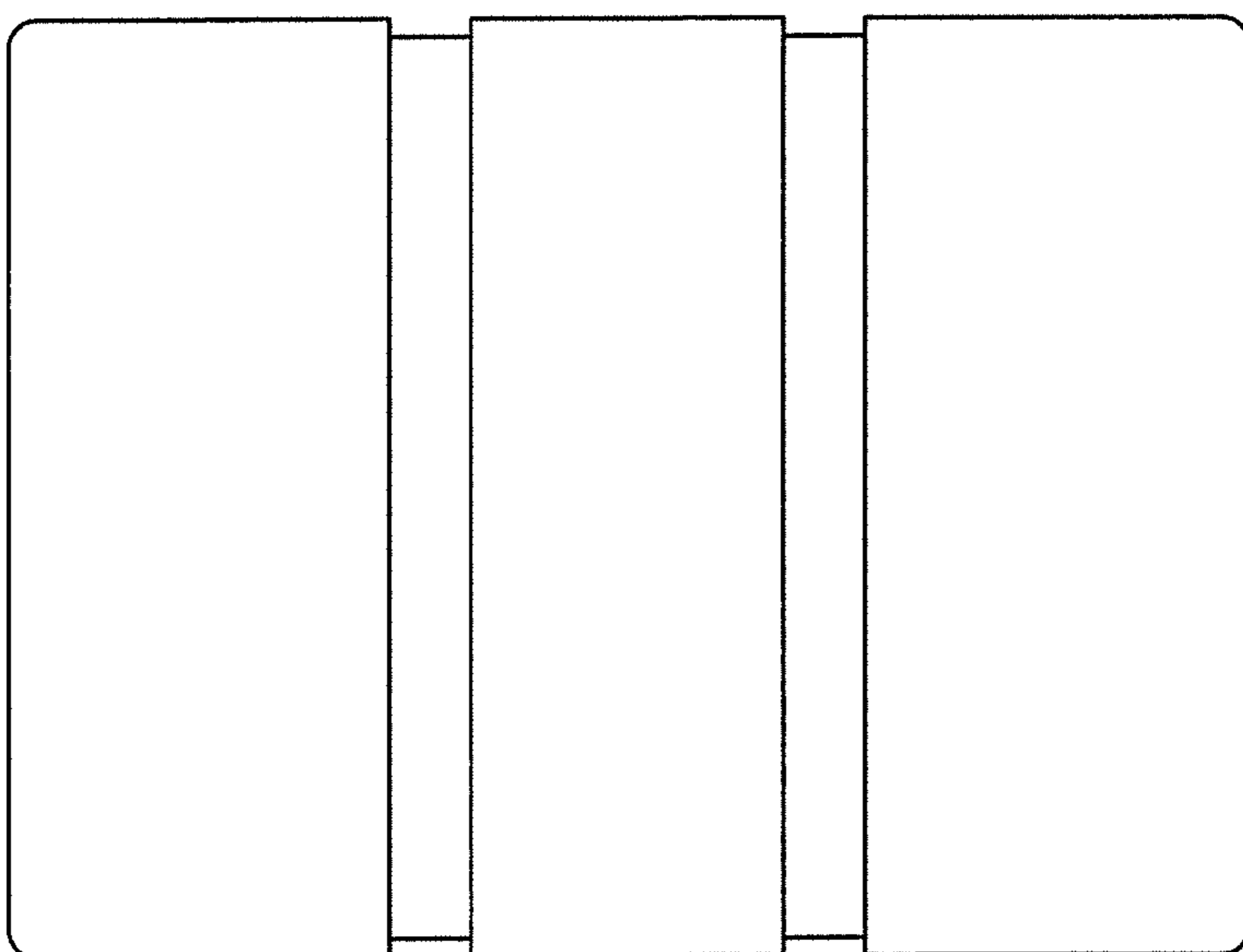


FIG. 3

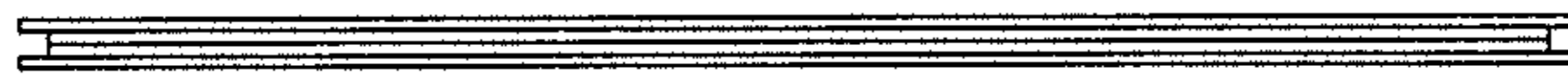


FIG. 4

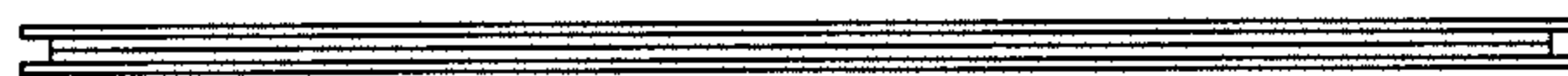


FIG. 5

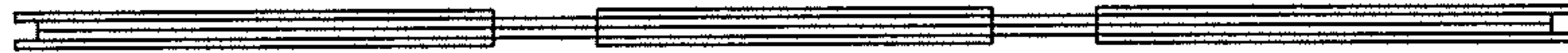


FIG. 6

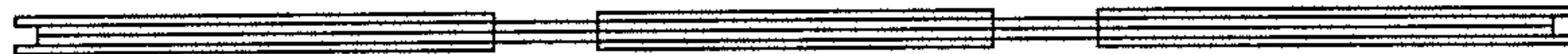


FIG. 7

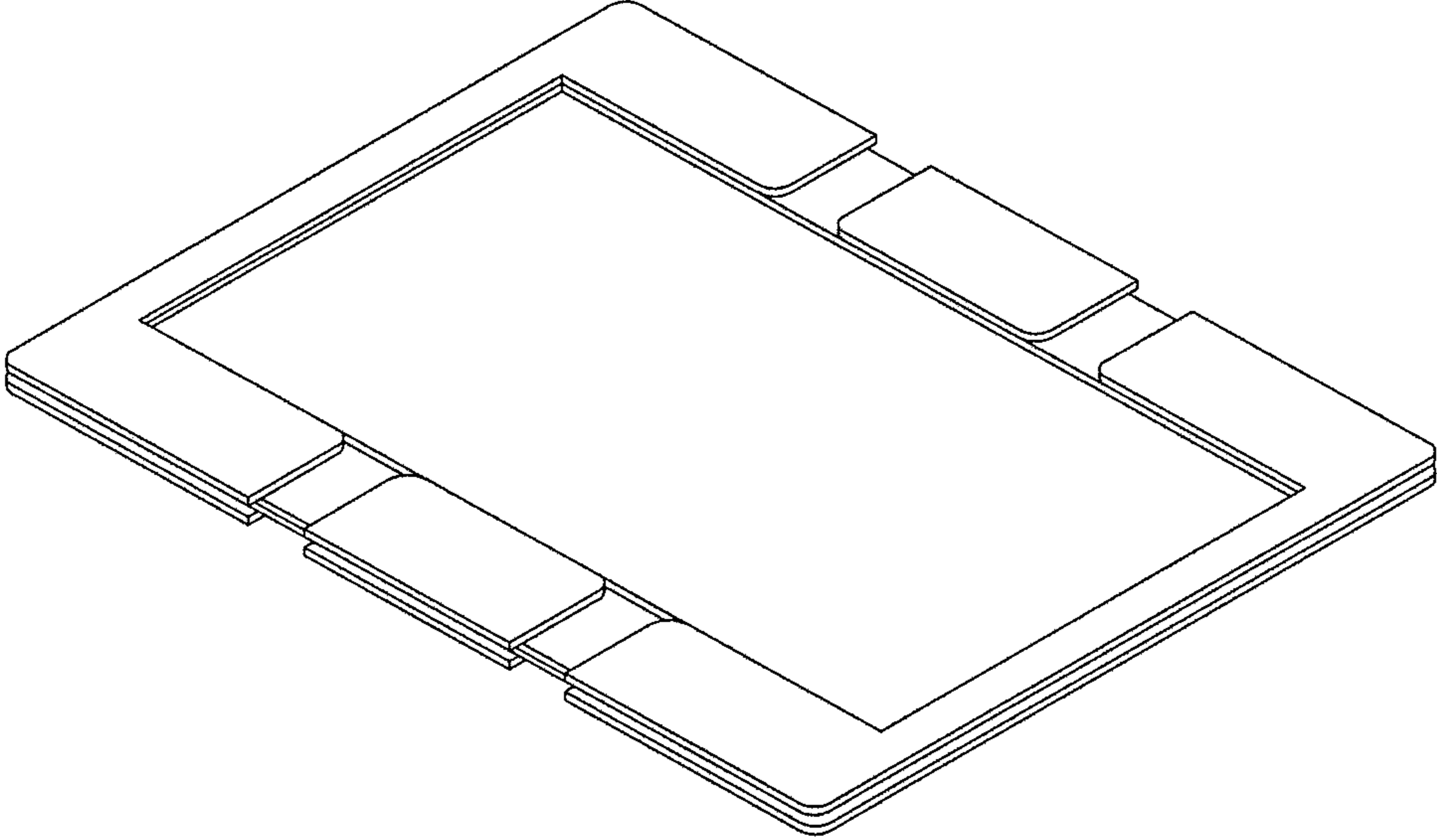


FIG. 8

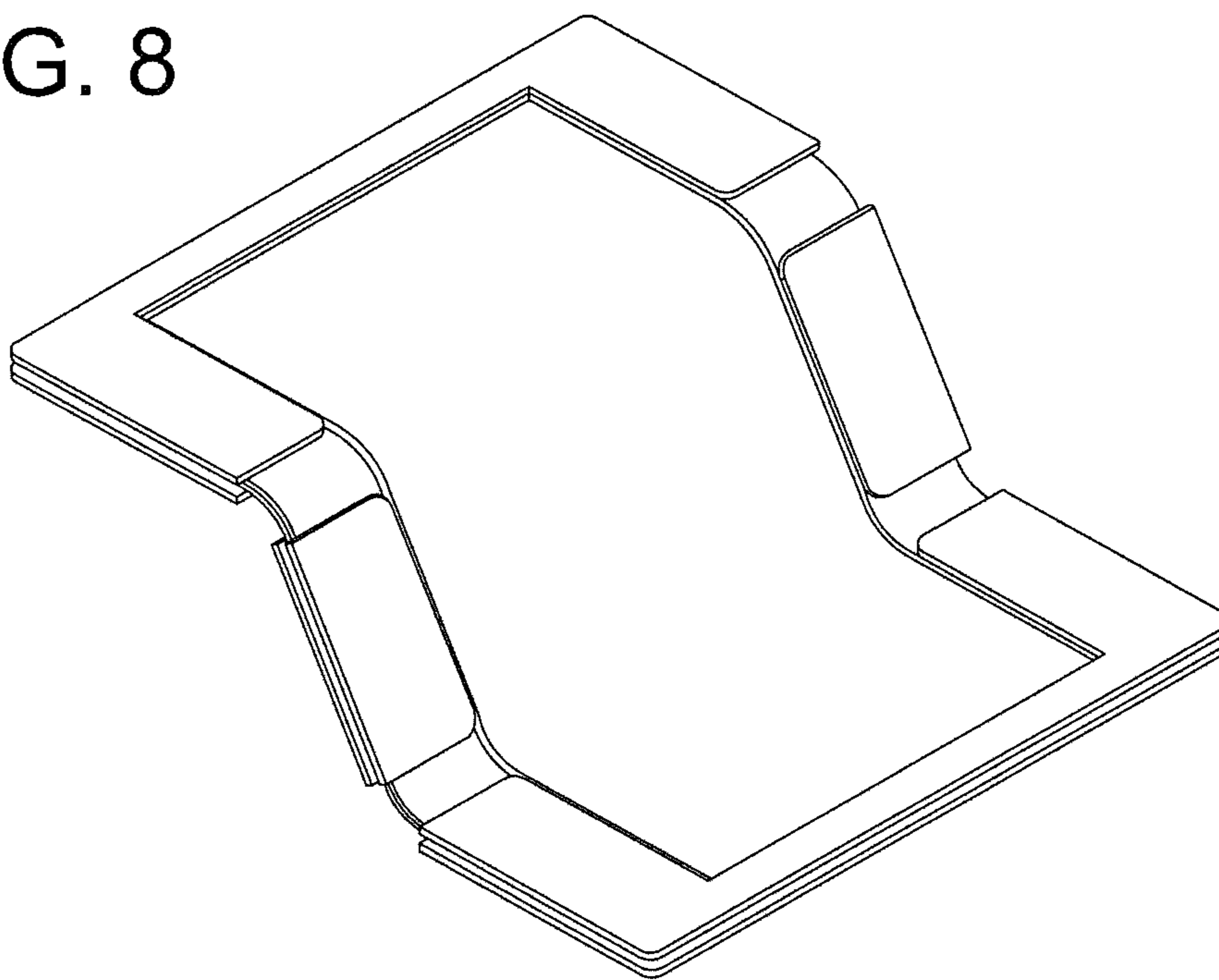


FIG. 9

