



US00D745005S

(12) **United States Design Patent**
Kim et al.

(10) **Patent No.:** **US D745,005 S**
(45) **Date of Patent:** **** Dec. 8, 2015**

(54) **MOBILE PHONE**

(71) Applicant: **LG Electronics Inc.**, Seoul (KR)

(72) Inventors: **Dongsoon Kim**, Seoul (KR); **Seonjae Lim**, Seoul (KR)

(73) Assignee: **LG Electronics Inc.**, Seoul (KR)

(**) Term: **14 Years**

(21) Appl. No.: **29/499,347**

(22) Filed: **Aug. 14, 2014**

(30) **Foreign Application Priority Data**

Feb. 19, 2014 (KR) 30-2014-0008414

(51) **LOC (10) Cl.** **14-02**

(52) **U.S. Cl.**
USPC **D14/344**; D14/138 R; D10/38

(58) **Field of Classification Search**
USPC D14/140, 137, 138 R, 138 AB, 139, 144,
D14/155, 167, 191, 192, 203.1, 203.3,
D14/203.4, 203.5, 203.7, 248, 226, 218,
D14/240, 344, 440, 341, 346, 448, 450,
D14/496; D10/30-32, 37-39, 65, 70, 77,
D10/78, 98, 104.1, 104.2, 125; D11/3-5,
D11/12, 19, 25; D13/168; D3/215;
D15/199; 381/364, 151; 379/433.1;
455/575.1, 575.3, 575.4, 575.6, 556.1,
455/556.2, 558, 90.3; 368/10, 13, 69, 223,
368/281, 282, 294, 295, 296; D21/329,
D21/513; D24/167, 186
CPC H04M 1/0227; H04M 1/03; H04M 1/04;
G04G 9/00; G04G 17/00; G04G 17/04;
G04G 17/06

See application file for complete search history.

(56) **References Cited**

U.S. PATENT DOCUMENTS

3,800,525 A * 4/1974 Bergey 368/69

3,935,701 A * 2/1976 Yamauchi et al. 368/225
D239,512 S * 4/1976 Tsukui D10/38
D247,701 S * 4/1978 Kwon D10/31
4,109,315 A * 8/1978 Pan 708/111
D353,778 S * 12/1994 Hanagata D10/31
D354,444 S * 1/1995 Pandel D10/30
D356,043 S * 3/1995 Iwamoto D10/39
D408,298 S * 4/1999 Levinger D10/18
D461,175 S * 8/2002 Yokota D14/144
D474,117 S * 5/2003 Dubois D10/30
D528,441 S * 9/2006 Burton D10/38
D528,928 S * 9/2006 Burton D10/38
D579,356 S * 10/2008 Allen D10/65
D579,802 S * 11/2008 Li et al. D10/65
D580,803 S * 11/2008 Whittaker D10/65
7,618,260 B2 * 11/2009 Daniel et al. 439/37
D622,856 S * 8/2010 Ramsey D24/186
D645,442 S * 9/2011 Landwehr D14/138 G

(Continued)

Primary Examiner — Susan Bennett Hattan

Assistant Examiner — Marie Fast Horse

(74) *Attorney, Agent, or Firm* — Morgan, Lewis & Bockius LLP

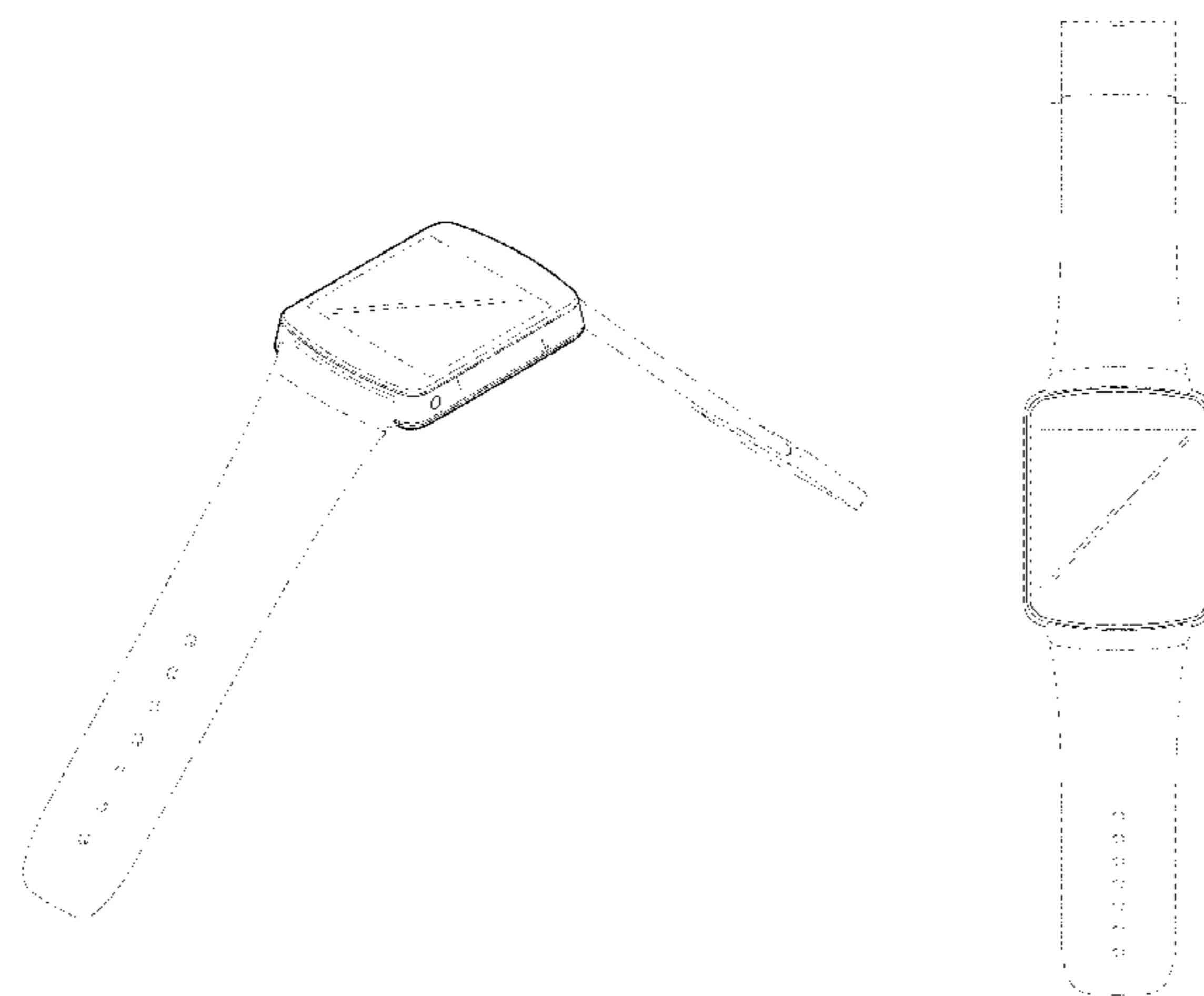
(57) **CLAIM**

The ornamental design for a mobile phone, as shown and described.

DESCRIPTION

FIG. 1 is a perspective view of a mobile phone showing our new design;
FIG. 2 is a front view thereof;
FIG. 3 is a rear view thereof;
FIG. 4 is a left side view thereof;
FIG. 5 is a right side view thereof;
FIG. 6 is a top plan view thereof; and,
FIG. 7 is a bottom plan view thereof.
The broken lines depict portions of the mobile phone that form no part of the claimed design. The dash-dot broken lines define the bounds of the claimed design and form no part thereof.

1 Claim, 7 Drawing Sheets



(56)

References Cited

U.S. PATENT DOCUMENTS

8,059,491 B1 * 11/2011 Hennings-Kampa 368/14
 D663,220 S * 7/2012 Mouclier D10/1
 8,301,211 B2 * 10/2012 Lee et al. 455/575.6
 D682,126 S * 5/2013 Tello D10/70
 D714,288 S * 9/2014 Aumiller et al. D14/344
 D720,510 S * 12/2014 Shin et al. D32/21
 D720,511 S * 12/2014 Shin et al. D32/21
 D722,962 S * 2/2015 Kim et al. D13/108
 D726,680 S * 4/2015 Kim et al. D14/138 R

D728,624 S * 5/2015 Akana et al. D14/496
 9,069,333 B1 * 6/2015 Romans
 2010/0112949 A1 * 5/2010 Kim et al. 455/41.3
 2010/0112964 A1 * 5/2010 Yi et al. 455/90.3
 2010/0128570 A1 * 5/2010 Smith et al. 368/10
 2010/0331145 A1 * 12/2010 Lakovic et al. 482/8
 2012/0122519 A1 * 5/2012 Jochheim 455/556.1
 2013/0045037 A1 * 2/2013 Schaffer 400/472
 2014/0073486 A1 * 3/2014 Ahmed et al. 482/9
 2014/0187233 A1 * 7/2014 Chen et al. 455/422.1
 2014/0321245 A1 * 10/2014 Sharpe 368/10
 2015/0131216 A1 * 5/2015 Huang et al. 361/679.03

* cited by examiner

FIG. 1

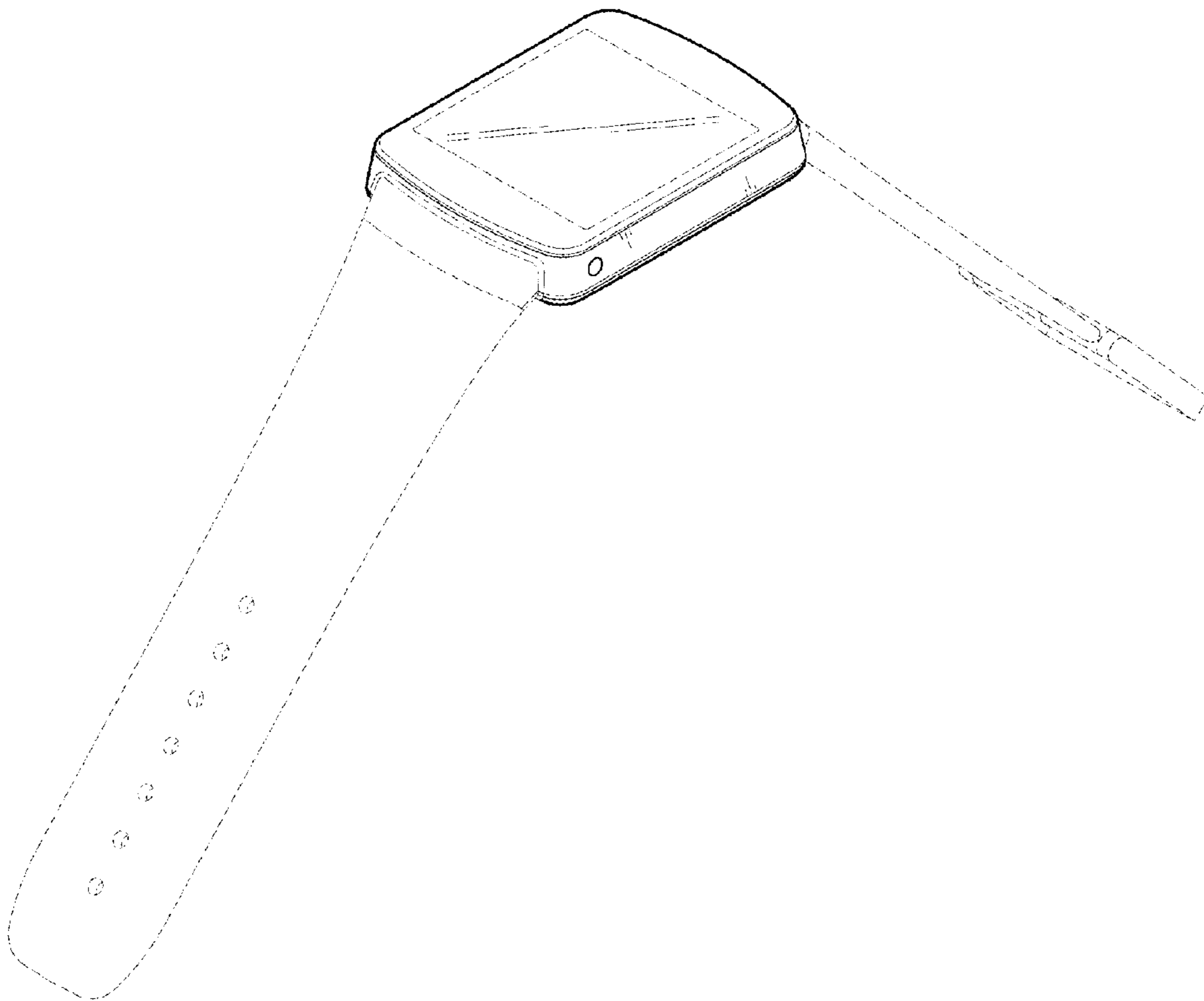


FIG. 2

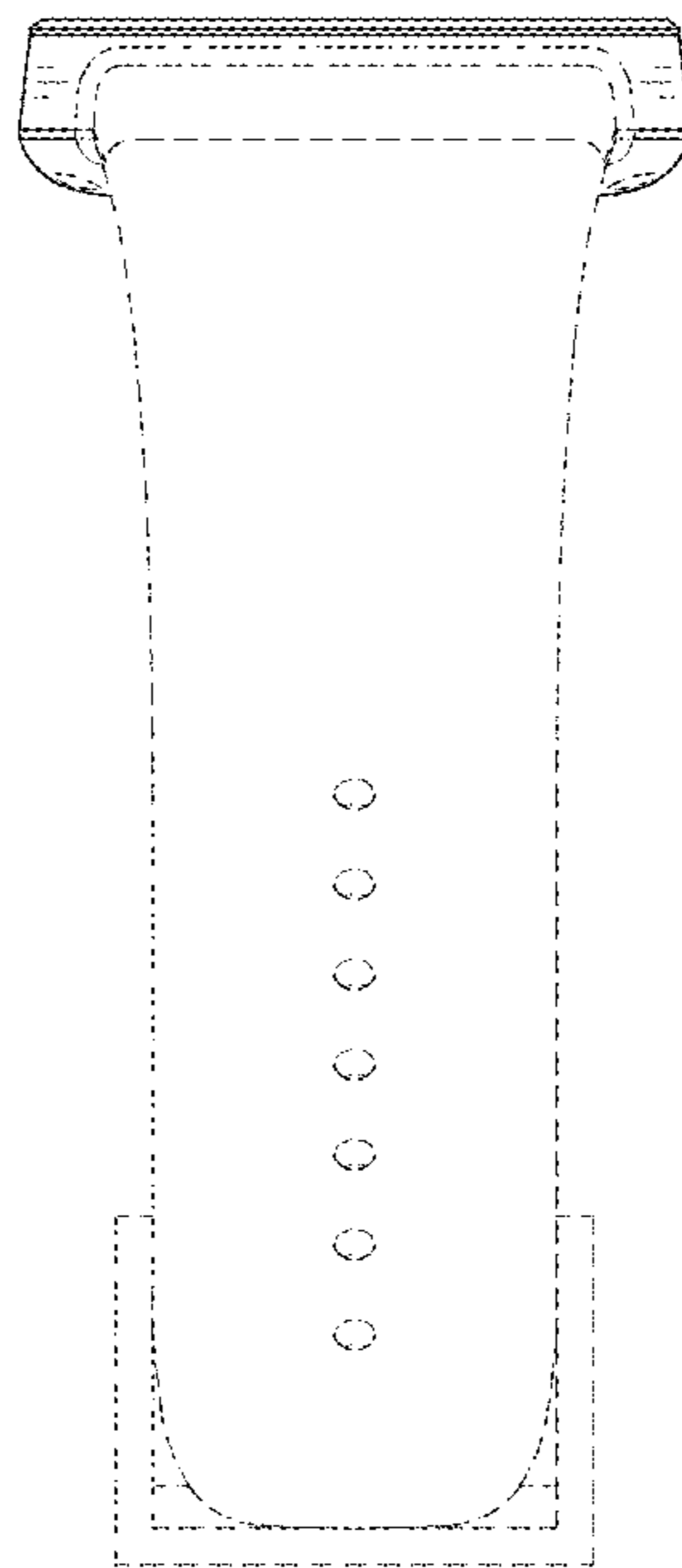


FIG. 3

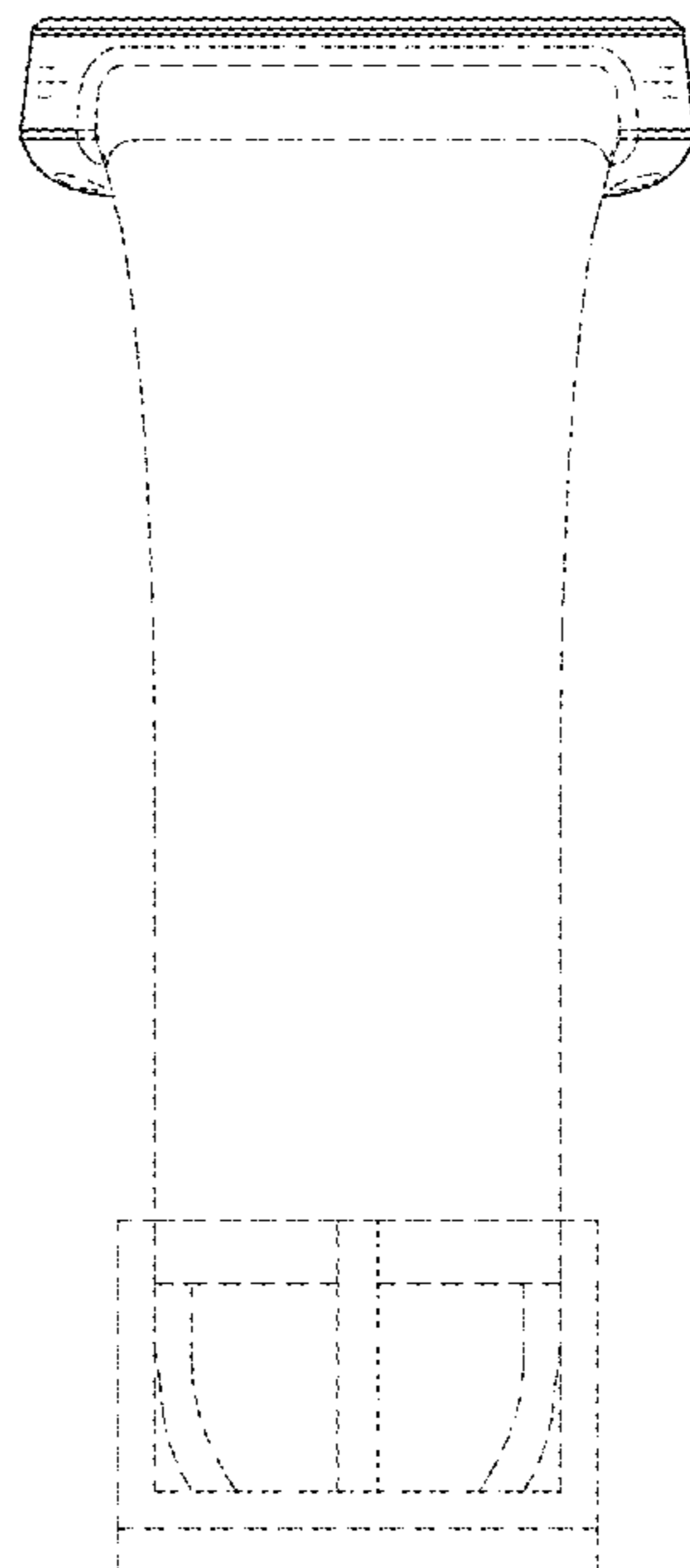


FIG. 4

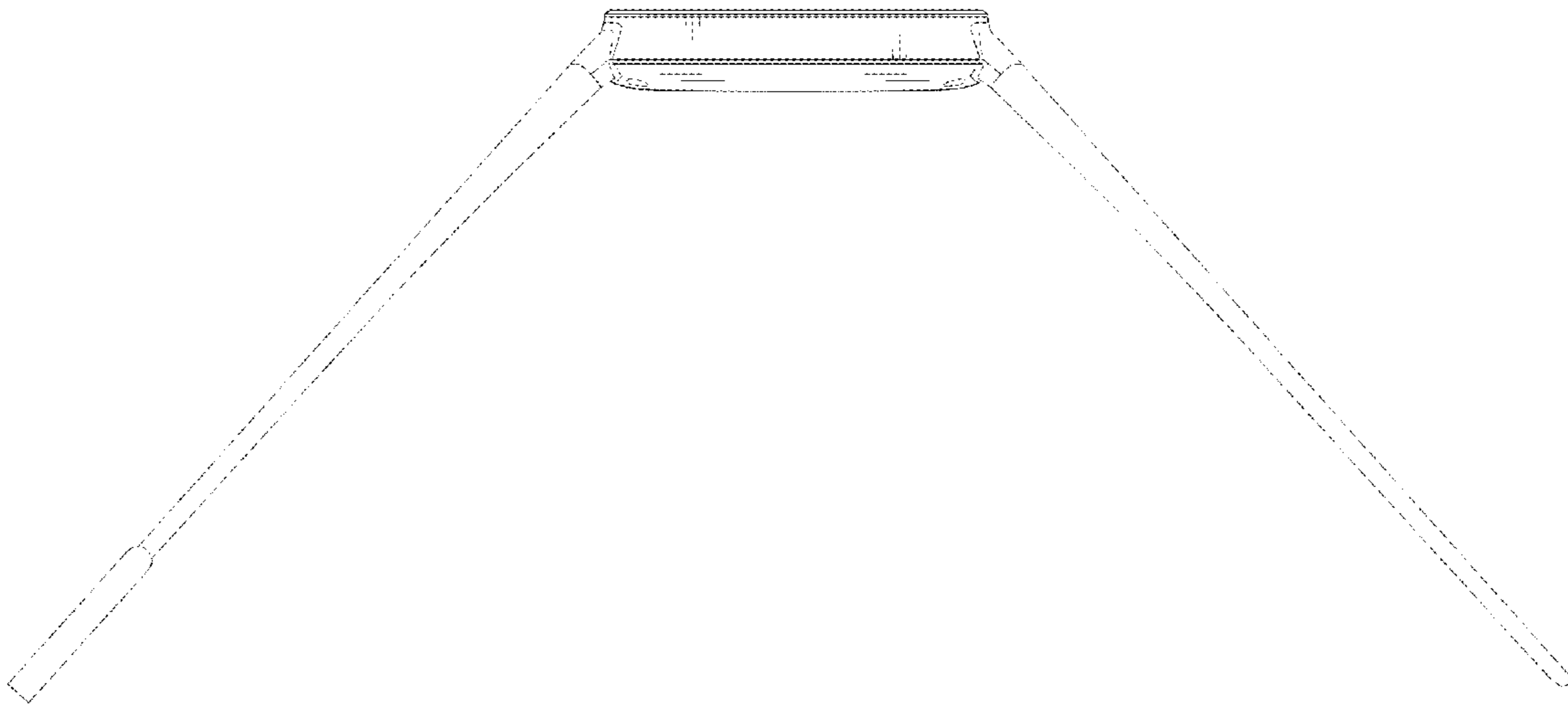


FIG. 5

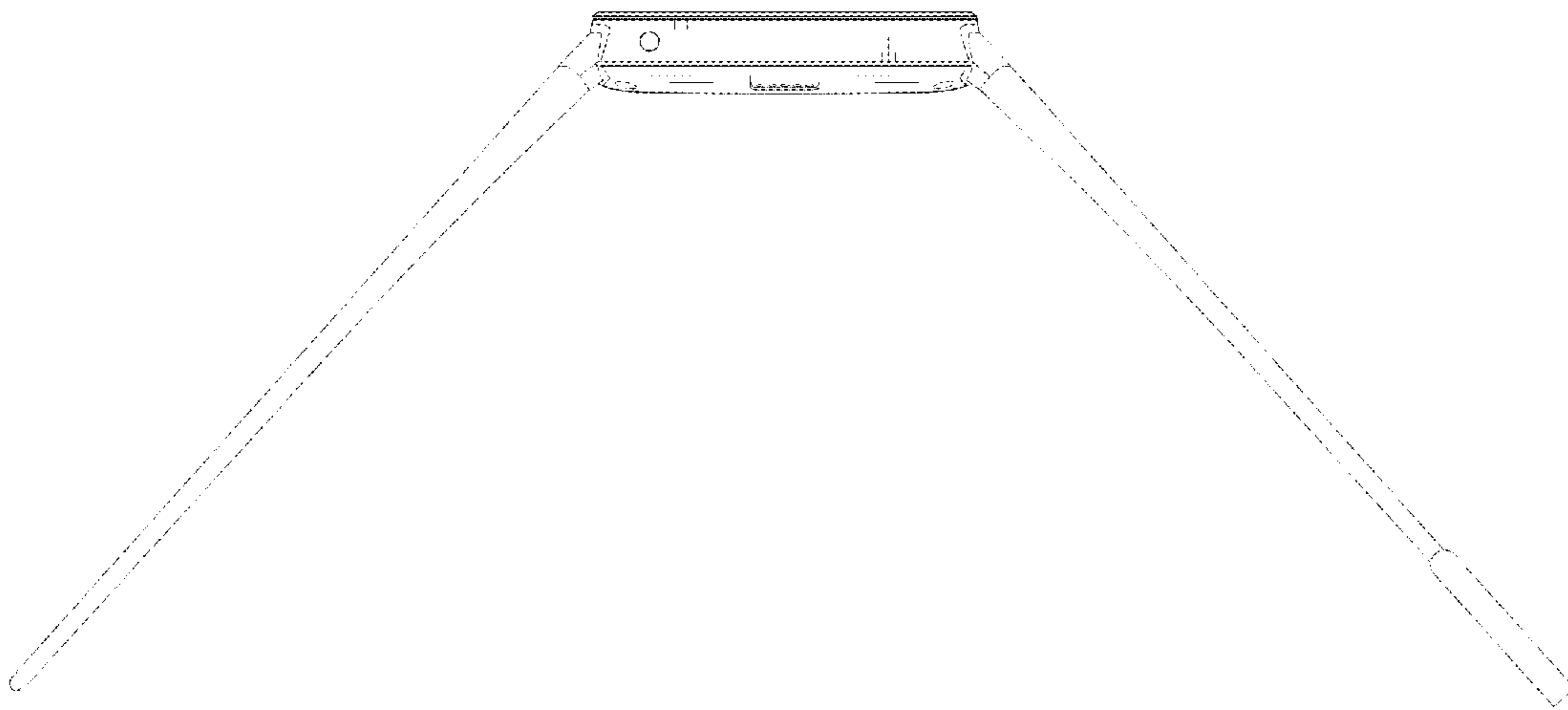


FIG. 6

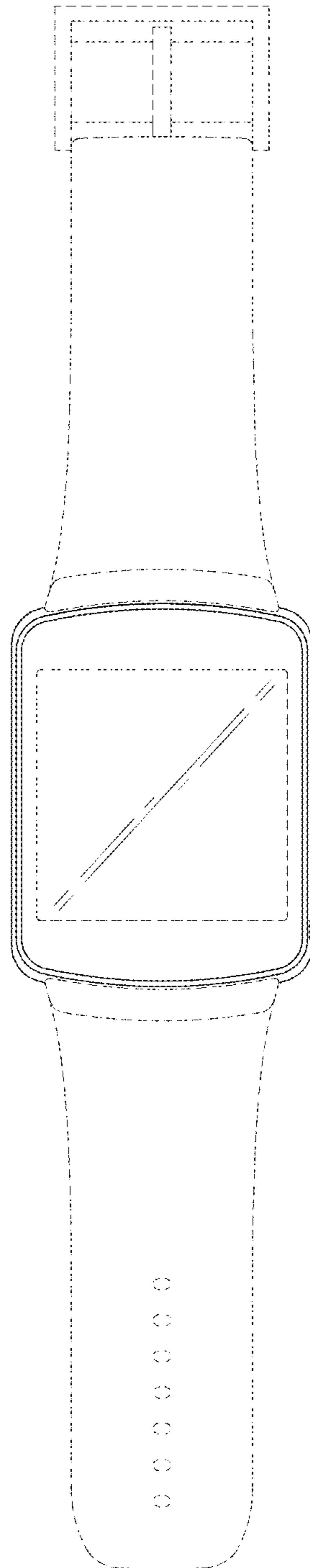


FIG. 7

