



US00D745004S

(12) **United States Design Patent**
Kim

(10) **Patent No.:** **US D745,004 S**
(45) **Date of Patent:** **** Dec. 8, 2015**

(54) **MOBILE TERMINAL**

(71) Applicant: **Samsung Electronics Co., Ltd.**,
Suwon-si (KR)

(72) Inventor: **Dong-Hyun Kim**, Suwon-si (KR)

(73) Assignee: **Samsung Electronics Co., Ltd.**,
Suwon-si (KR)

(**) Term: **14 Years**

(21) Appl. No.: **29/513,656**

(22) Filed: **Jan. 5, 2015**

Related U.S. Application Data

(63) Continuation of application No. 13/735,484, filed on
Jan. 7, 2013.

(30) **Foreign Application Priority Data**

Jan. 7, 2012 (KR) 10-2012-0002968

(51) **LOC (10) Cl.** **14-02**

(52) **U.S. Cl.**
USPC **D14/341**

(58) **Field of Classification Search**

USPC D14/137, 138, 138 AA, 138 AB, 138 AC,
D14/138 AD, 138 C, 138 G, 138 R, 224, 229,
D14/238, 248, 253, 257, 346, 487, 496, 510
CPC H04M 1/02; H04M 1/0202-1/035;
H04M 1/0235; H04M 1/0237; H04M 1/0239
See application file for complete search history.

(56) **References Cited**

U.S. PATENT DOCUMENTS

D452,710 S * 1/2002 Ragot D20/10
D518,451 S * 4/2006 Nussberger et al. D13/184
D609,233 S * 2/2010 Wood et al. D14/341

D613,763 S * 4/2010 Jones et al. D14/496
D622,696 S * 8/2010 Akana et al. D14/203.7
D670,659 S * 11/2012 Ishikawa et al. D13/168
8,502,788 B2 * 8/2013 Cho 345/173
D714,271 S * 9/2014 Lee et al. D14/248
D714,273 S * 9/2014 Kim et al. D14/248
D715,279 S * 10/2014 Lee et al. D14/248
8,933,626 B2 * 1/2015 Choi et al. 313/511
D722,597 S * 2/2015 Koh D14/248
D724,577 S * 3/2015 Yamazaki et al. D14/341
D724,578 S * 3/2015 Yamazaki et al. D14/341
D725,065 S * 3/2015 Chung D14/138 G
2012/0044620 A1 * 2/2012 Song et al. 361/679.01
2013/0002133 A1 * 1/2013 Jin et al. 313/511

(Continued)

OTHER PUBLICATIONS

Galaxy S4 display, posted Jan. 14, 2013 [online], [retrieved Apr. 2,
2015]. Retrieved from internet, <http://www.slashgear.com>.*

Primary Examiner — Barbara Fox

(74) *Attorney, Agent, or Firm* — NSIP Law

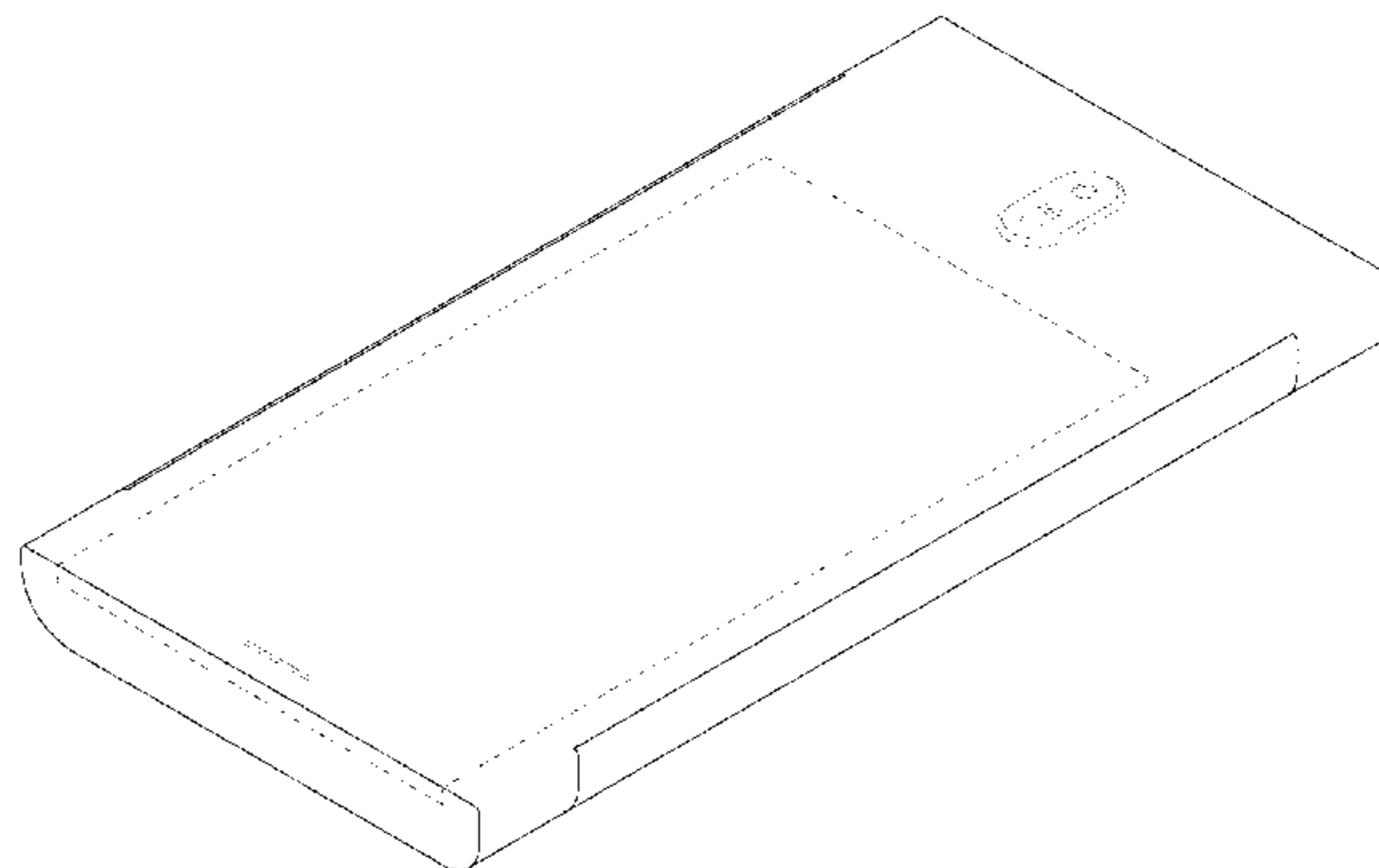
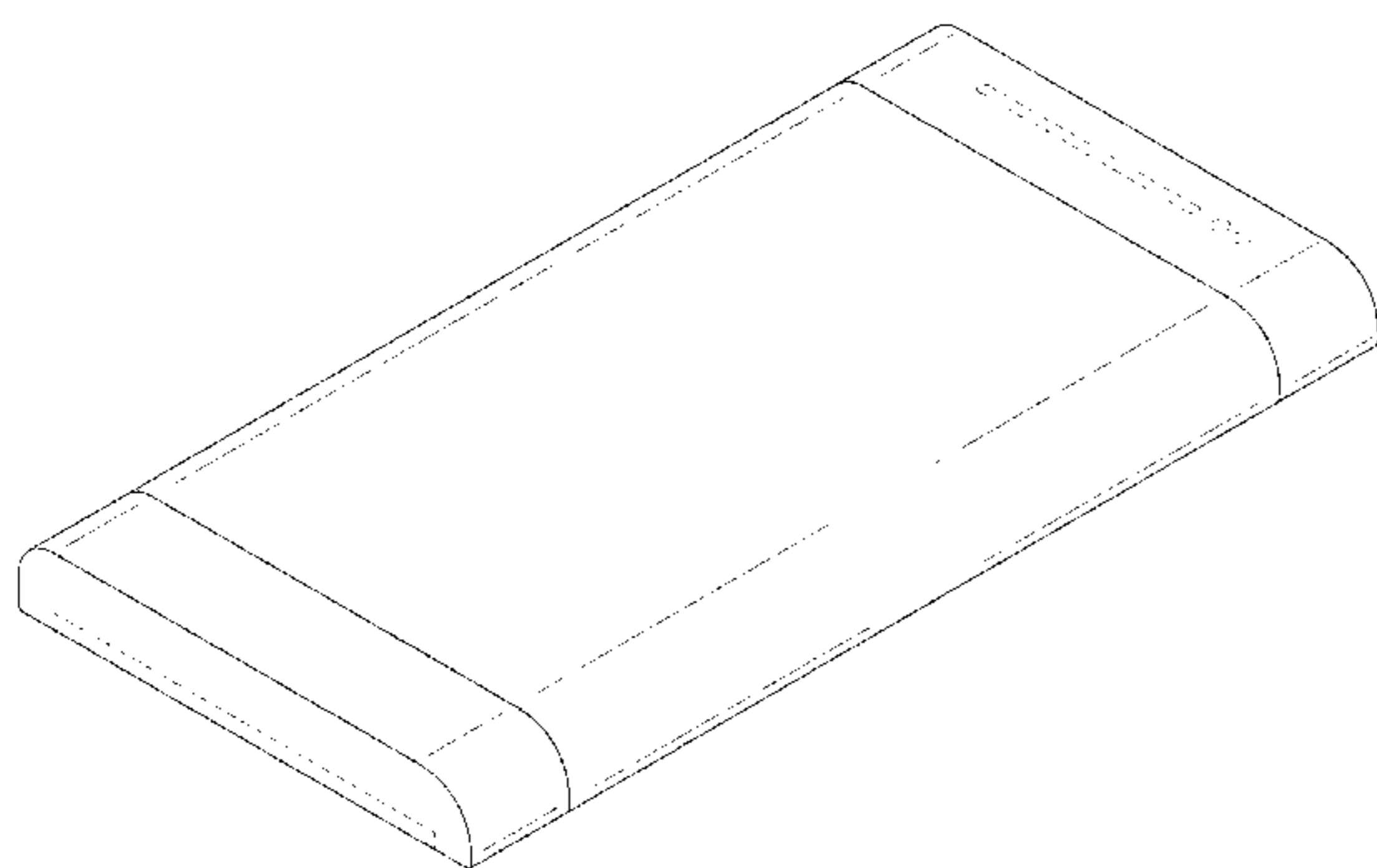
(57) **CLAIM**

I claim the ornamental design for a mobile terminal, as shown
and described.

DESCRIPTION

FIG. 1 is a front perspective view of a mobile terminal show-
ing my new design;
FIG. 2 is a front view thereof;
FIG. 3 is a rear view thereof;
FIG. 4 is a left-side view thereof;
FIG. 5 is a right-side view thereof;
FIG. 6 is a top view thereof;
FIG. 7 is a bottom view thereof; and,
FIG. 8 is a rear perspective view thereof.
The broken lines in the figures show portions of the mobile
terminal which form no part of the claimed design.

1 Claim, 6 Drawing Sheets



(56)

References Cited

U.S. PATENT DOCUMENTS

| | | | | | | | | | |
|--------------|------|---------|------------------------|---------|--------------|------|--------|------------------|------------|
| 2013/0033434 | A1 * | 2/2013 | Richardson et al. | 345/173 | 2014/0247405 | A1 * | 9/2014 | Jin et al. | 349/12 |
| 2013/0145311 | A1 * | 6/2013 | Joo | 715/788 | 2014/0267091 | A1 * | 9/2014 | Kim | 345/173 |
| 2013/0300697 | A1 * | 11/2013 | Kim et al. | 345/173 | 2015/0003022 | A1 * | 1/2015 | Chang | 361/748 |
| 2014/0004906 | A1 * | 1/2014 | Chi et al. | 455/566 | 2015/0015512 | A1 * | 1/2015 | Kwak et al. | 345/173 |
| | | | | | 2015/0029113 | A1 * | 1/2015 | Lee et al. | 345/173 |
| | | | | | 2015/0043142 | A1 * | 2/2015 | Jang et al. | 361/679.26 |

* cited by examiner

FIG. 1

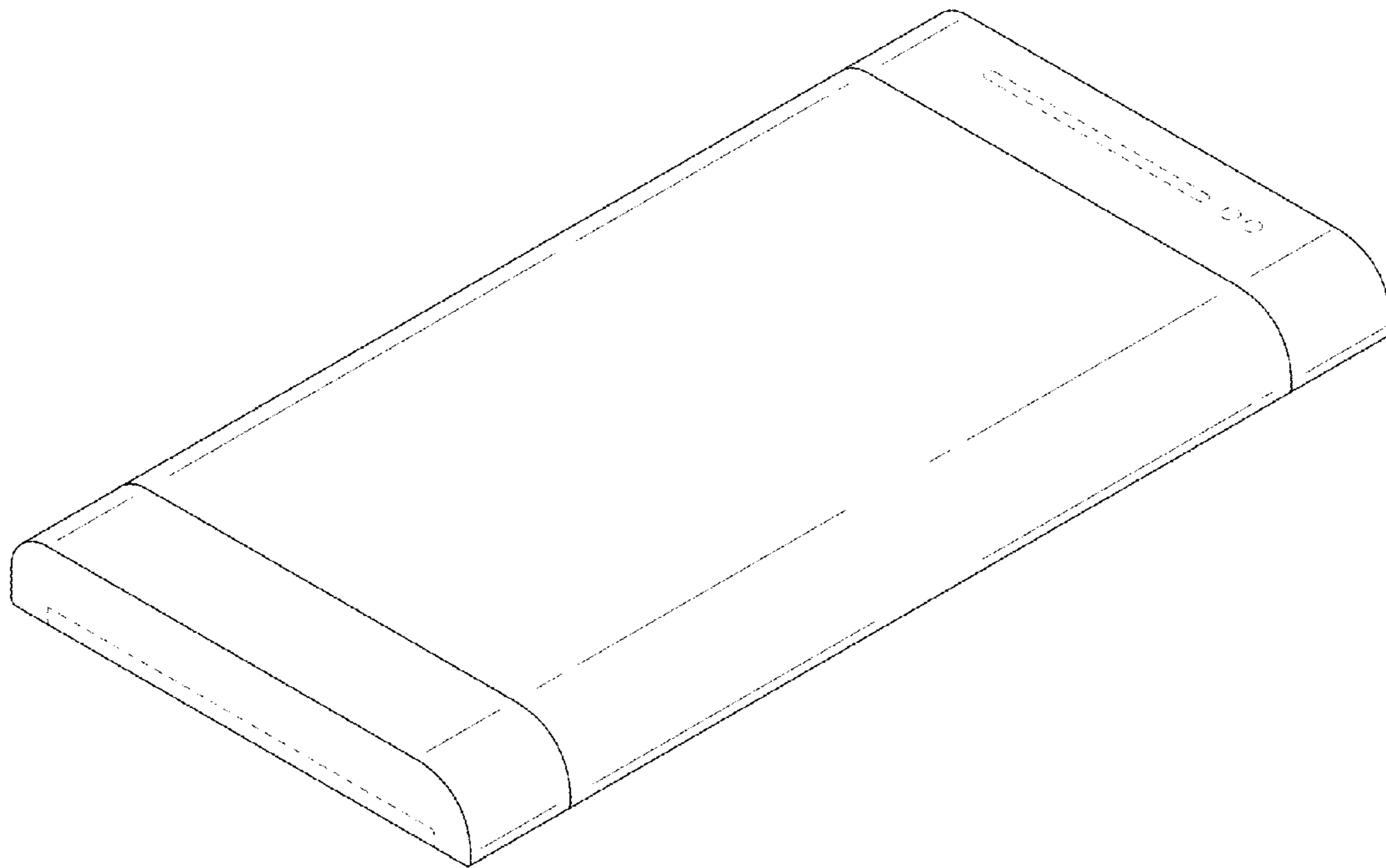


FIG. 2

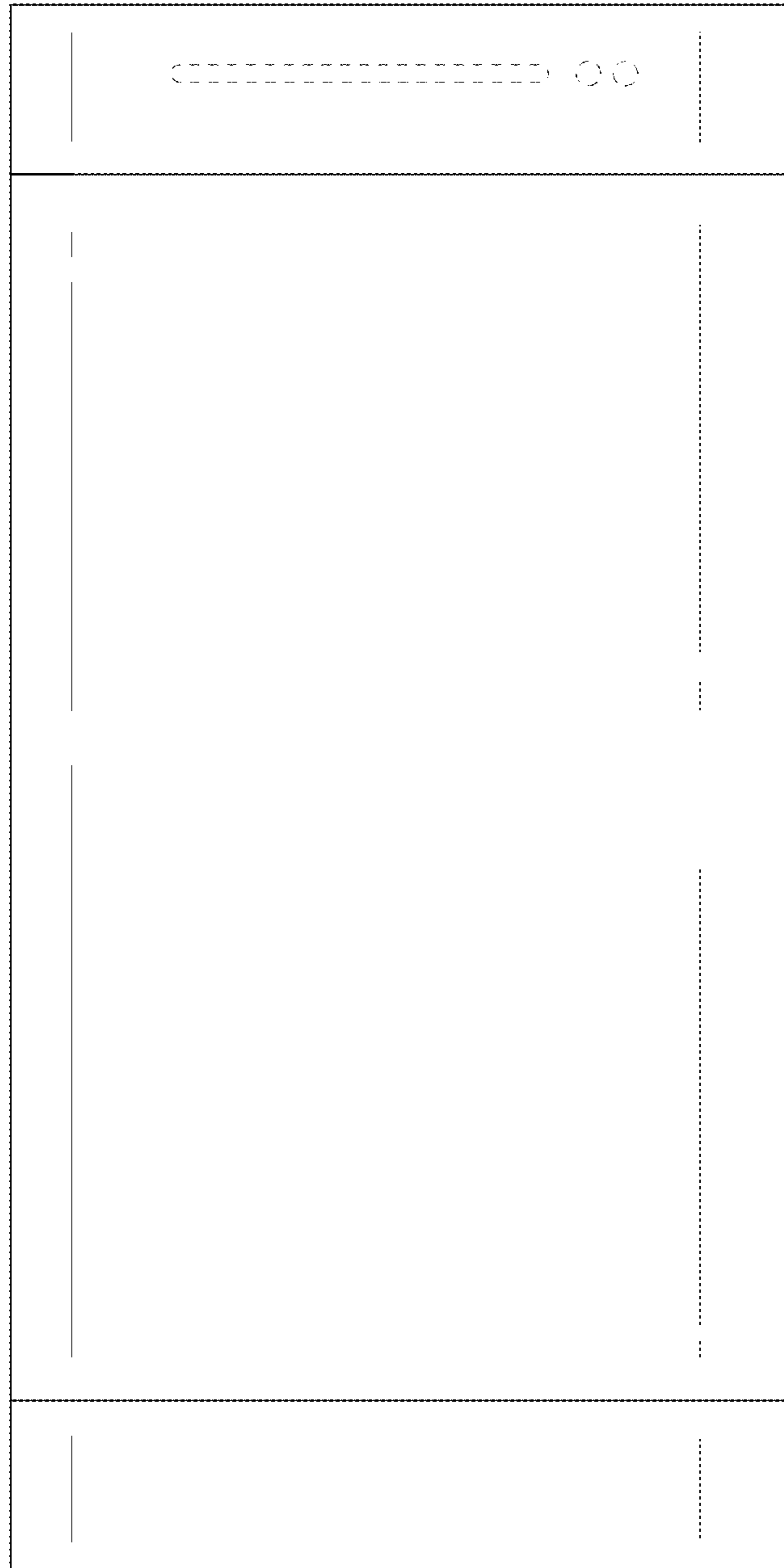


FIG. 3

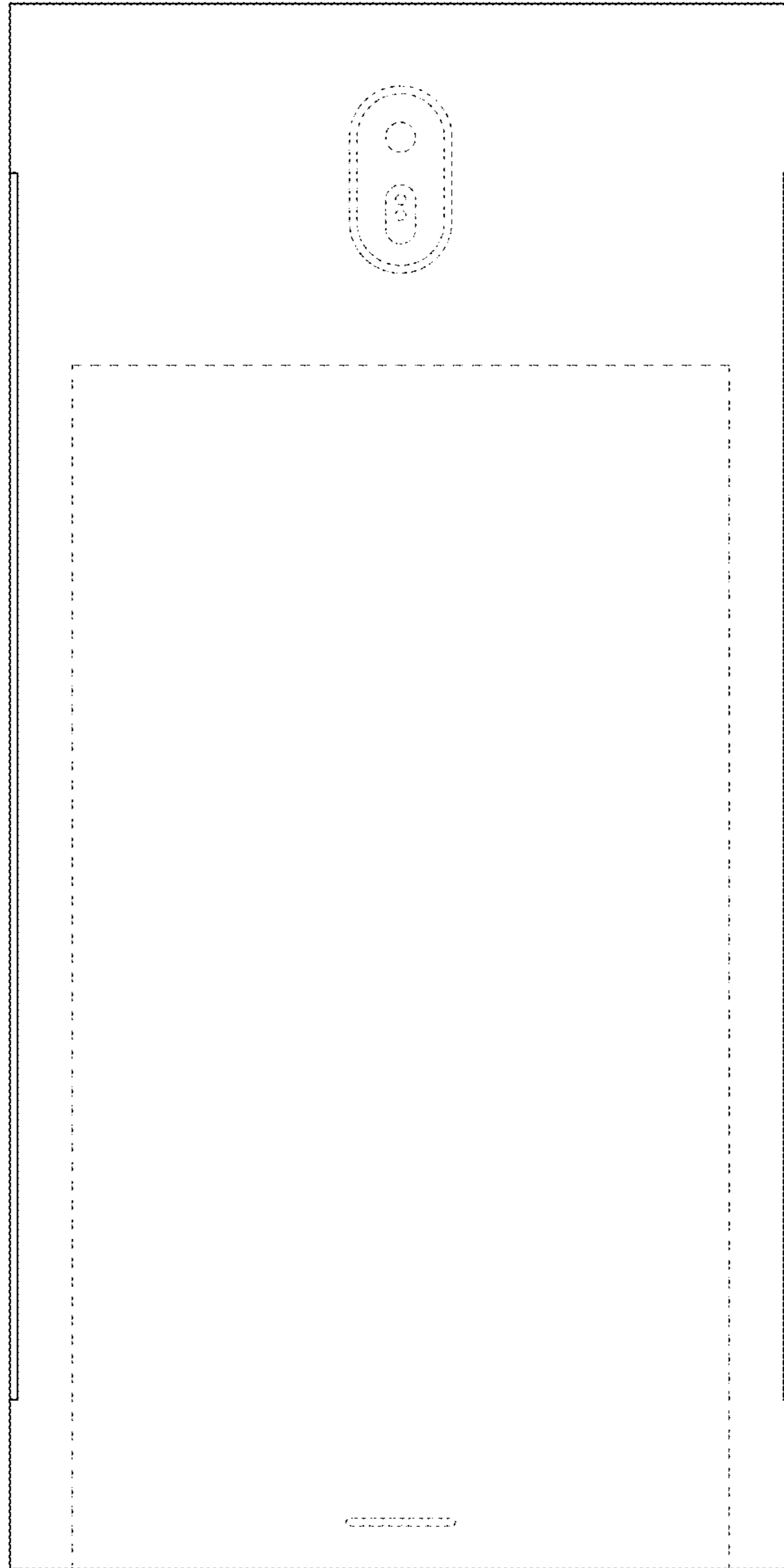


FIG. 4

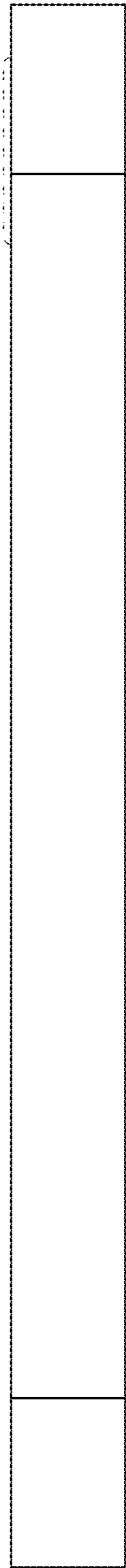


FIG. 5

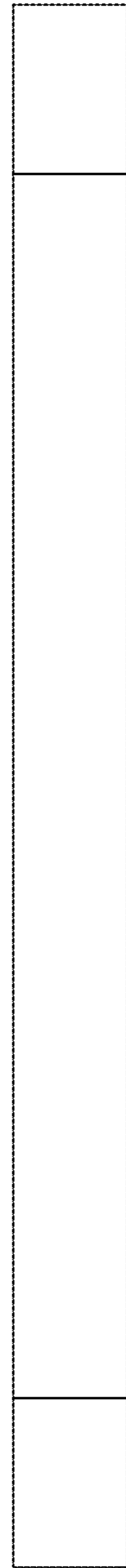


FIG. 6

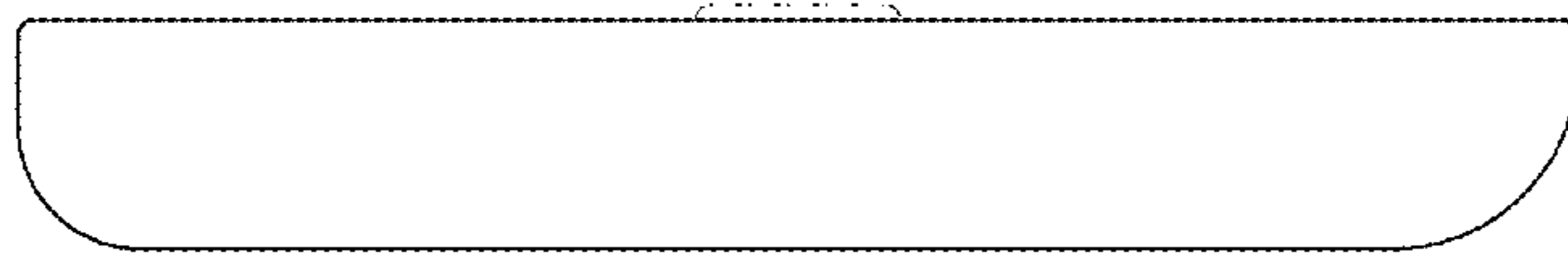


FIG. 7

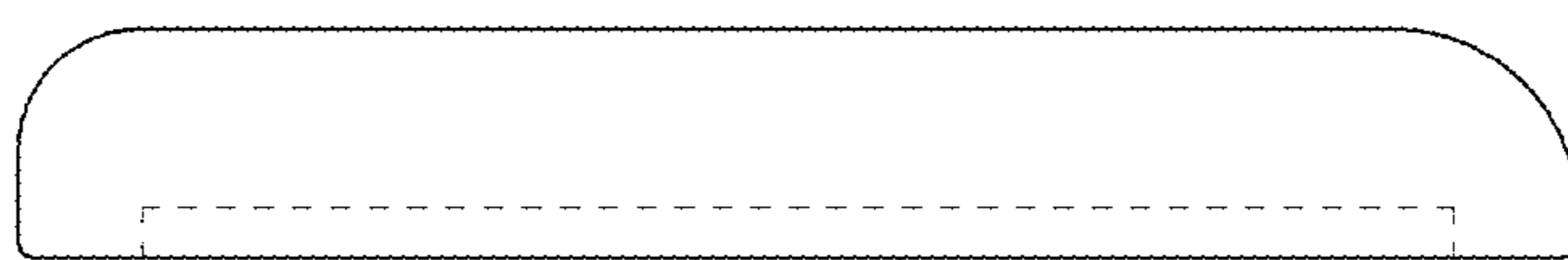


FIG. 8

