



US00D745001S

(12) **United States Design Patent**
Cho et al.

(10) **Patent No.:** **US D745,001 S**

(45) **Date of Patent:** **** Dec. 8, 2015**

(54) **ELECTRONIC DEVICE**

(71) Applicant: **Samsung Electronics Co., Ltd.**,
Suwon-si, Gyeonggi-do (KR)

(72) Inventors: **Chul-Yong Cho**, Seoul (KR); **Dae Kyung Ahn**, Seoul (KR); **Sangmin Hyun**, Seoul (KR); **Eun Vit Chung**, Seoul (KR)

(73) Assignee: **SAMSUNG ELECTRONICS CO., LTD.** (KR)

(**) Term: **14 Years**

(21) Appl. No.: **29/462,289**

(22) Filed: **Aug. 1, 2013**

(30) **Foreign Application Priority Data**

Feb. 1, 2013 (KR) 30-2013-0005876

(51) **LOC (10) Cl.** **14-02**

(52) **U.S. Cl.**
USPC **D14/341**

(58) **Field of Classification Search**

USPC D14/341-347, 137, 138 R, 138 AA, D14/138 C, 138 G, 496, 203.1, 203.3, 203.4, D14/203.7, 129, 130, 147, 248, 250, 374, D14/385, 388, 389, 315-318, 439, 126, 336, D14/339, 340; D10/65, 104.1; D21/324, D21/329, 330, 332; 455/556.1, 556.2, 566, 455/575.1, 90.3; 379/433.04, 433.01, 379/433.06, 916; 345/173; 361/679.26, 361/679.27, 679.3, 679.55, 679.56, 361/680-686; D6/310; 463/37; 248/917-924; 348/373, 376; D19/26
CPC A63H 33/3016; G06F 1/1613; H04M 1/0202; H04M 1/0279; H04M 1/0281; H04M 1/0283

See application file for complete search history.

(56) **References Cited**

U.S. PATENT DOCUMENTS

D425,558 S * 5/2000 Tarpinning et al. D19/26
D649,966 S * 12/2011 Chiu D14/341
D656,137 S * 3/2012 Chung et al. D14/341
D665,799 S * 8/2012 Massaro et al. D14/315
D675,613 S * 2/2013 Chu et al. D14/341
D680,529 S * 4/2013 Reeves et al. D14/341
D681,054 S * 4/2013 Koh et al. D14/496

(Continued)

Primary Examiner — Barbara Fox

Assistant Examiner — Dana K Weiland

(74) *Attorney, Agent, or Firm* — Cantor Colburn LLP

(57) **CLAIM**

The ornamental design for an electronic device, as shown and described.

DESCRIPTION

FIG. 1 is the perspective view of an electronic device showing my new design;

FIG. 2 is the front view thereof;

FIG. 3 is the rear view thereof;

FIG. 4 is the left-side view thereof;

FIG. 5 is the right-side view thereof;

FIG. 6 is the top plan view thereof;

FIG. 7 is the bottom plan view thereof;

FIG. 8 is a perspective view thereof, with the electronic device being folded;

FIG. 9 is a left side view thereof, with the electronic device being folded; and,

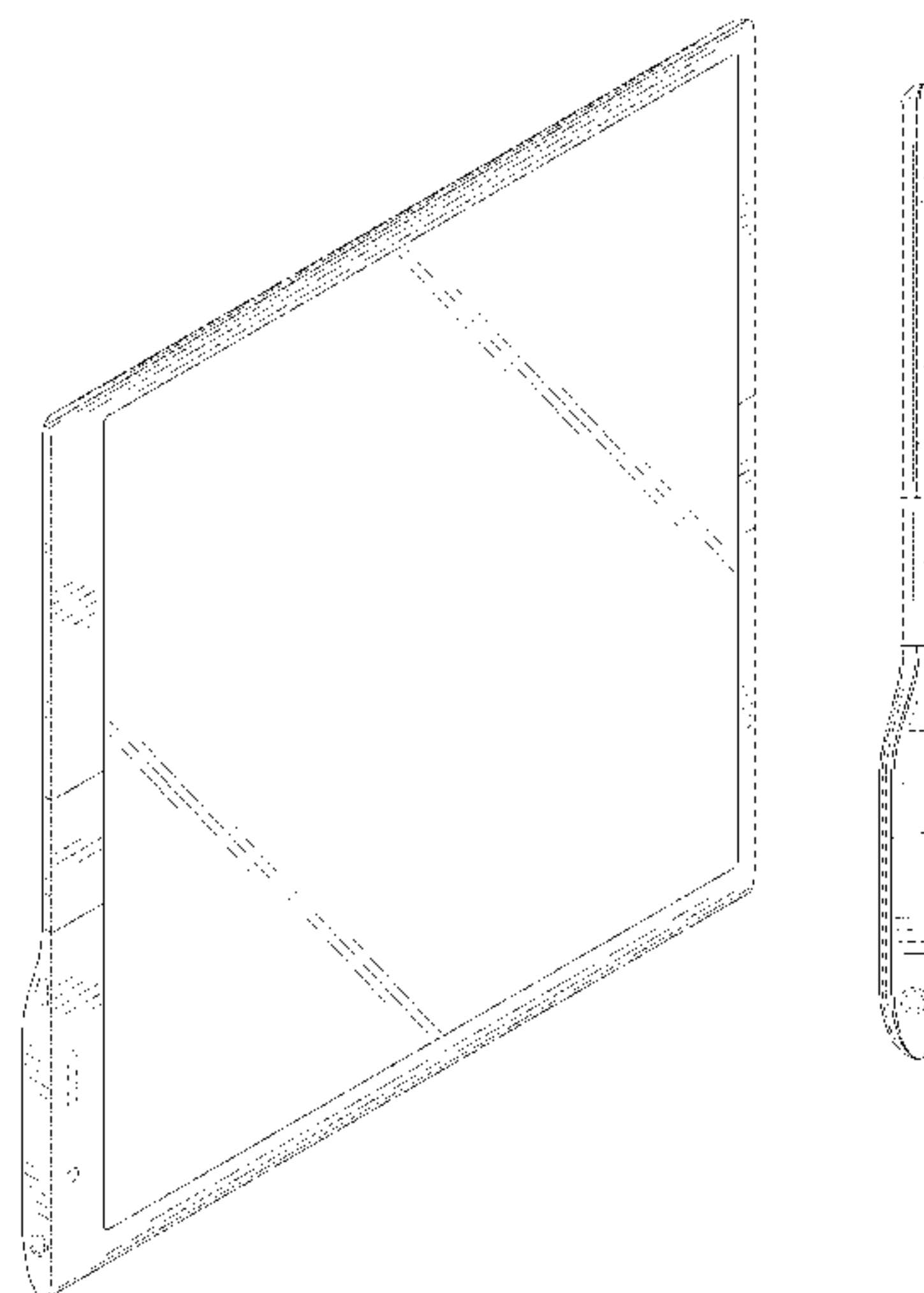
FIG. 10 is a back perspective view thereof, with the stand popped out.

The broken lines as shown in the drawings represent portions of the electronic device that form no part of the claimed design.

The shade lines in the figures show contour and not surface ornamentation.

References to “side”, “top”, and “bottom” in the figure descriptions are not meant to require certain in-use orientation; an electronic device according to the claimed design may be used in any orientation.

1 Claim, 9 Drawing Sheets



US D745,001 S

Page 2

(56)

References Cited

U.S. PATENT DOCUMENTS

D699,240 S *	2/2014	Kim et al.	D14/341	D714,286 S *	9/2014	Kim et al.	D14/341
D708,606 S *	7/2014	Kim	D14/315	D718,308 S *	11/2014	Nishizawa	D14/389
D709,492 S *	7/2014	Ahn et al.	D14/345	D719,540 S *	12/2014	Lee et al.	D14/138 AB
D710,354 S *	8/2014	Ahn et al.	D14/345	D721,670 S *	1/2015	Lee et al.	D14/138 G
					2012/0262870 A1 *	10/2012	Leung	361/679.27
					2013/0010405 A1 *	1/2013	Rothkopf et al.	361/679.01

* cited by examiner

FIG. 1

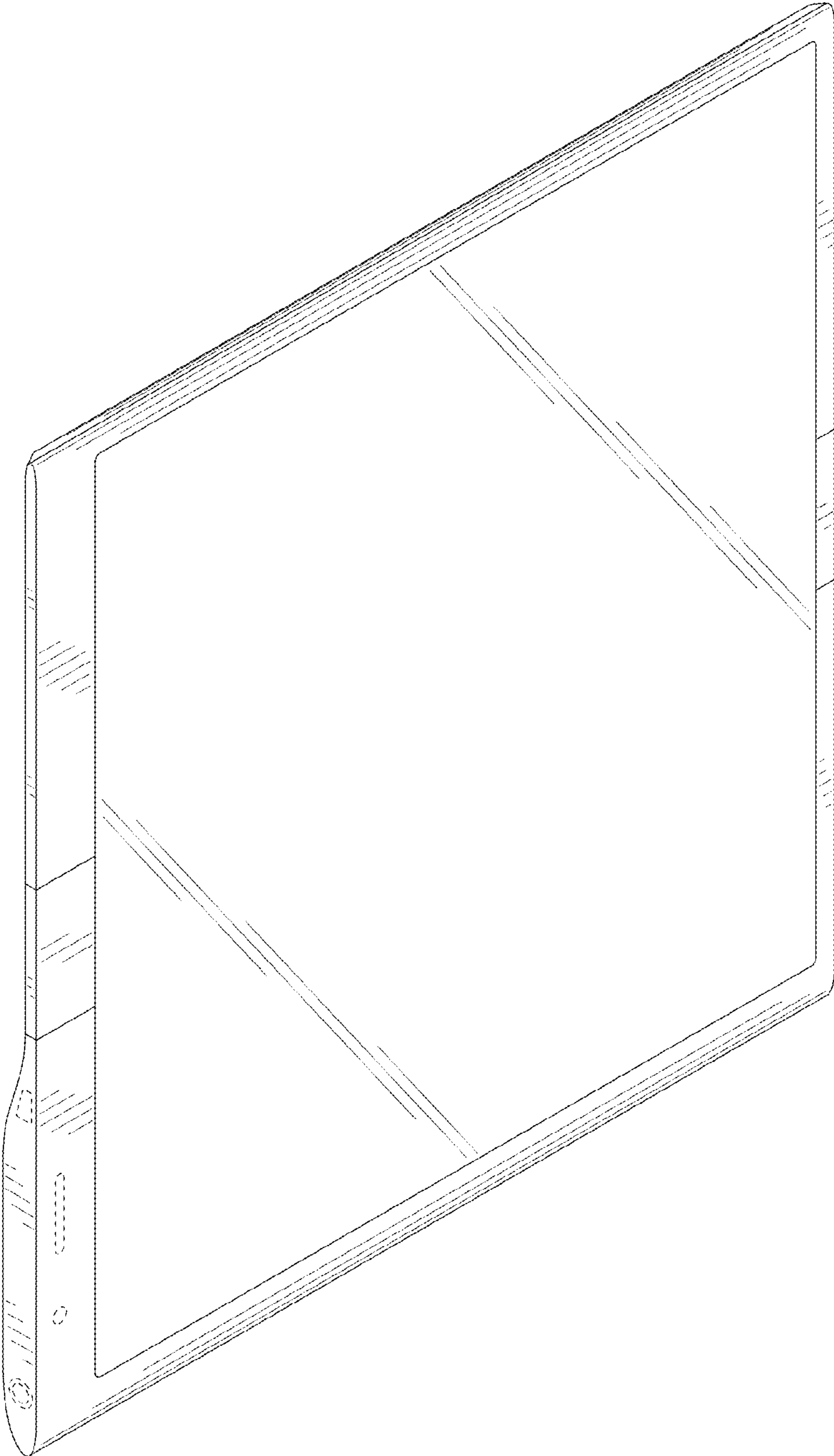


FIG. 2

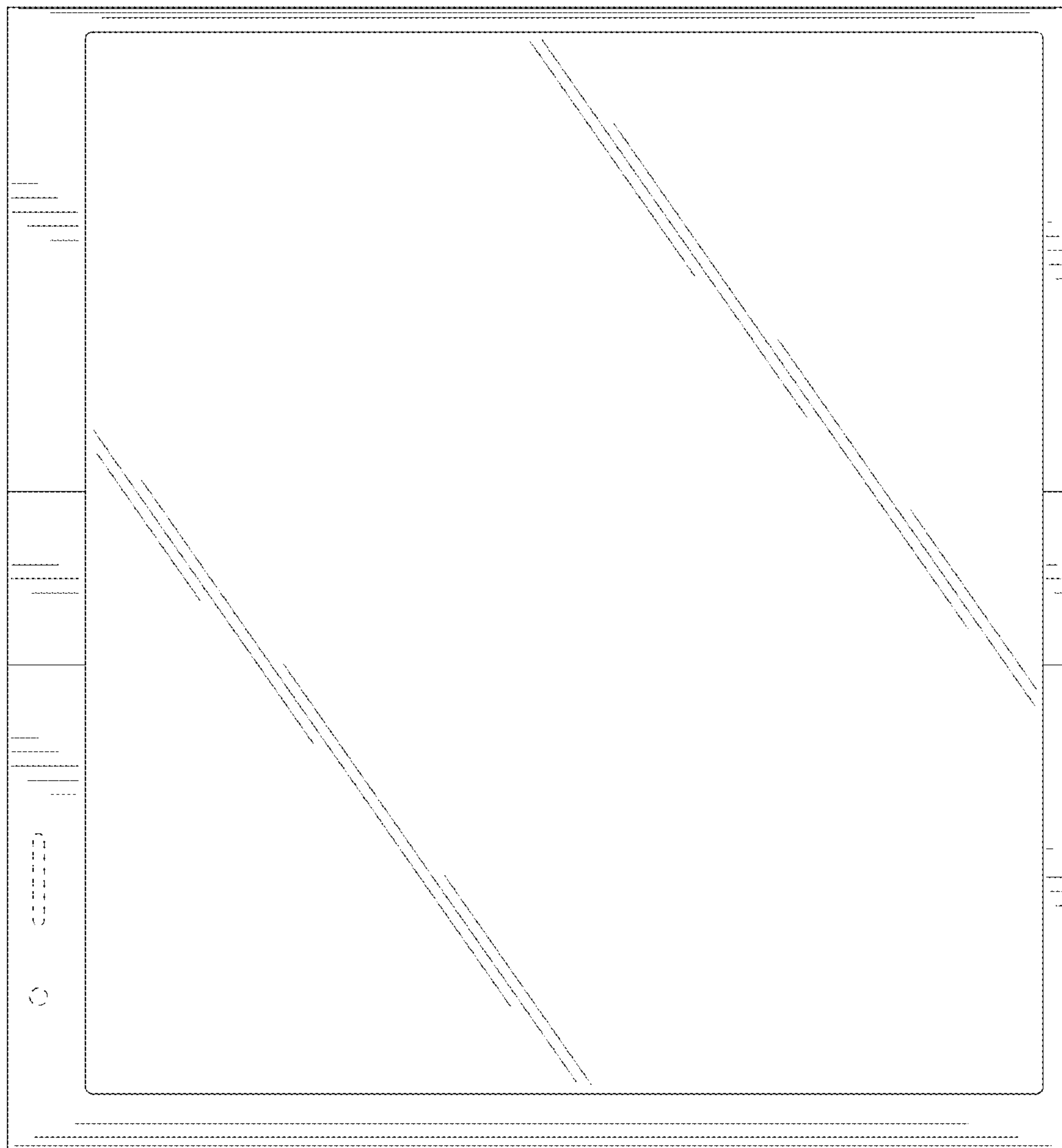


FIG. 3

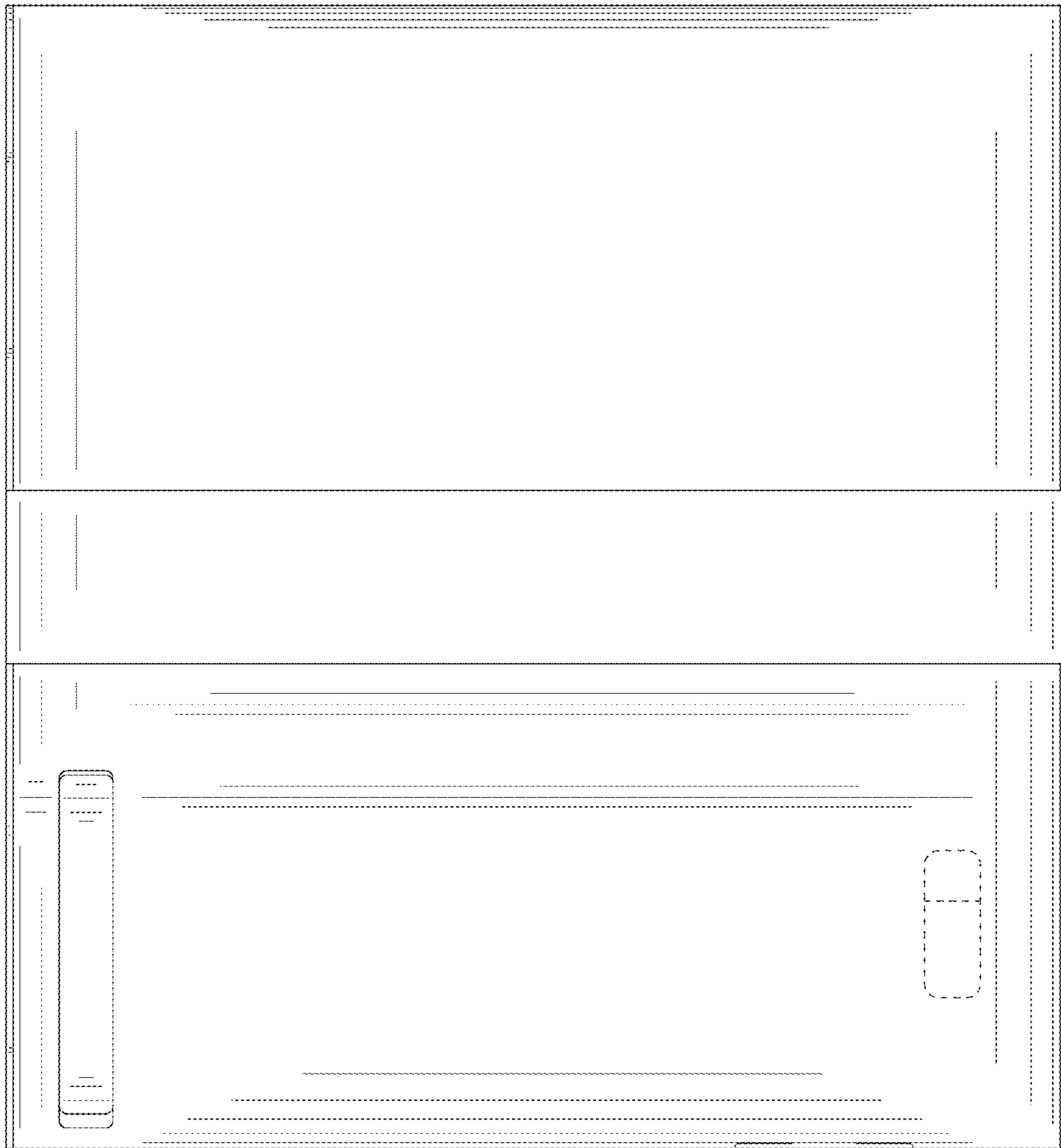


FIG. 4

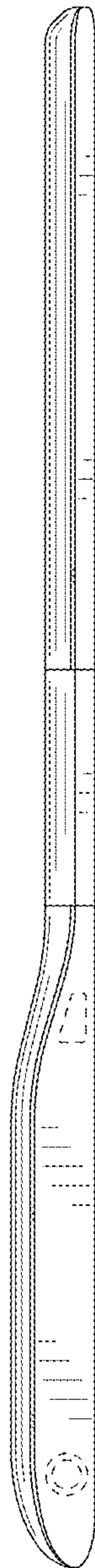


FIG. 5

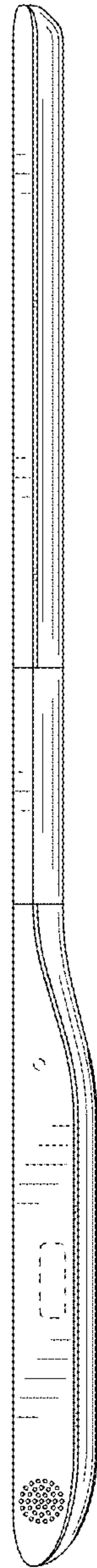


FIG. 6

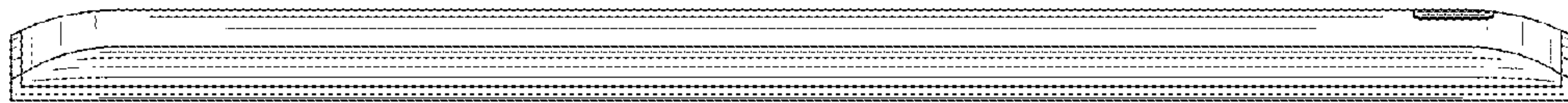


FIG. 7

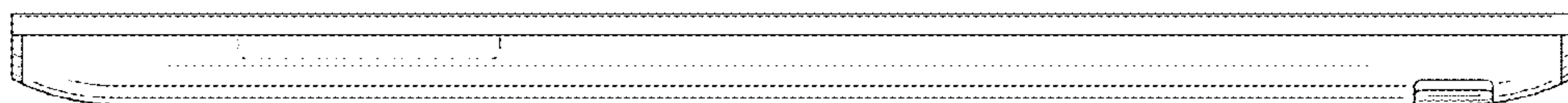


FIG. 8

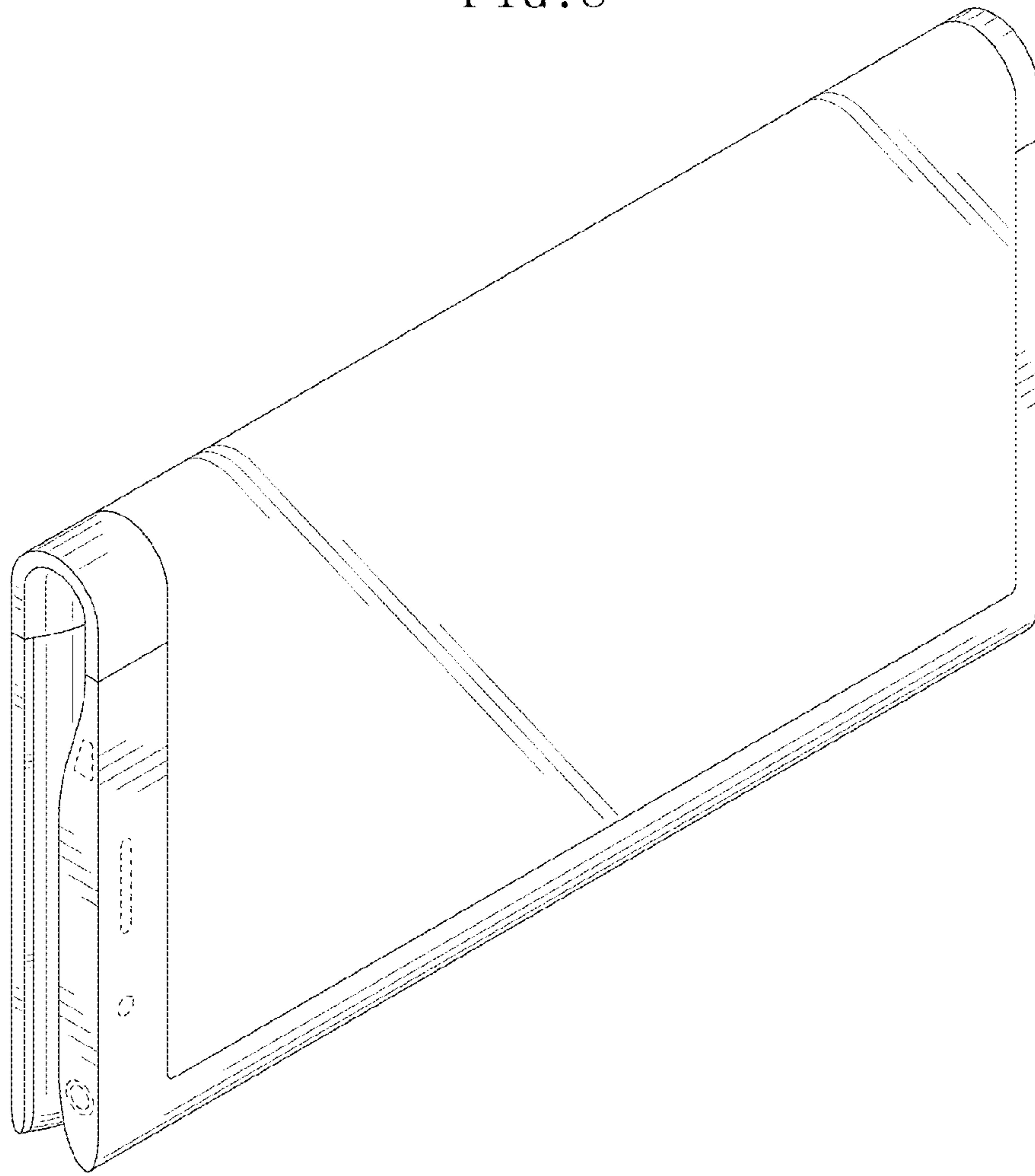


FIG. 9

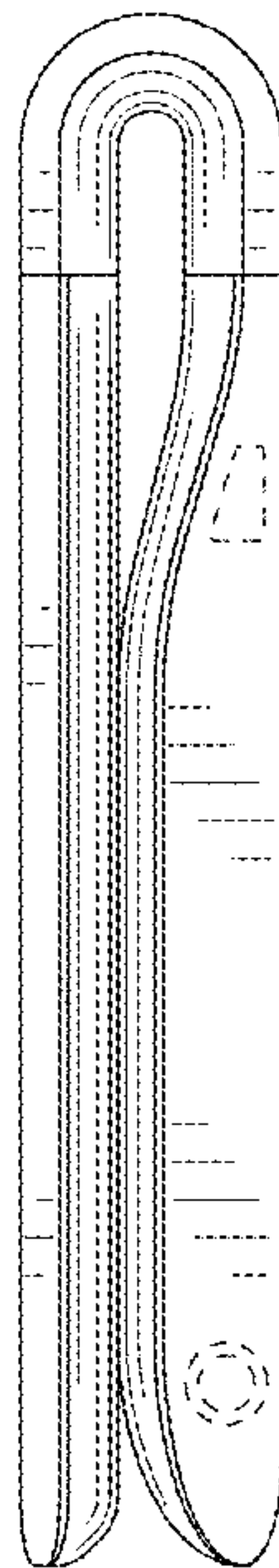


FIG. 10

