



US00D745000S

(12) **United States Design Patent**
Lim

(10) **Patent No.:** **US D745,000 S**
(45) **Date of Patent:** **** Dec. 8, 2015**

(54) **TABLET PC**

(56) **References Cited**

(71) Applicant: **Samsung Electronics Co., Ltd.**,
Suwon-si, Gyeonggi-do (KR)

(72) Inventor: **Woo-Teik Lim**, Seoul (KR)

(73) Assignee: **SAMSUNG ELECTRONICS CO., LTD.** (KR)

(**) Term: **14 Years**

(21) Appl. No.: **29/459,810**

(22) Filed: **Jul. 3, 2013**

(30) **Foreign Application Priority Data**

Jan. 3, 2013 (KR) 30-2013-0000307

(51) **LOC (10) Cl.** **14-02**

(52) **U.S. Cl.**
USPC **D14/341**

(58) **Field of Classification Search**
USPC D14/341-347, 137, 138 R, 138 AA,
D14/138 C, 138 G, 496, 203.1, 203.3, 203.4,
D14/203.7, 129, 130, 147, 248, 250, 374,
D14/385, 388, 389, 315-318, 439, 126, 336,
D14/339, 340; D10/65, 104.1; D21/324,
D21/329, 330, 332; 455/556.1, 556.2, 566,
455/575.1, 90.3; 379/433.04, 433.01,
379/433.06, 916; 345/173; 361/679.26,
361/679.27, 679.3, 679.55, 679.56,
361/680-686; D6/310; 463/37;
248/917-924; 348/373, 376; D19/26
CPC A63H 33/3016; G06F 1/1613; H04M
1/0202; H04M 1/0279; H04M 1/0281; H04M
1/0283

See application file for complete search history.

U.S. PATENT DOCUMENTS

1,722,551	A *	7/1929	Zadek	24/710.3
1,867,156	A *	7/1932	Jackson	280/851
D208,426	S *	8/1967	Lodermeier	D8/356
4,696,706	A *	9/1987	Griffin et al.	156/62
D295,521	S *	5/1988	Mockett	D13/155
4,867,479	A *	9/1989	Mizutani	281/48
D330,850	S *	11/1992	Roick	D8/367
5,226,676	A *	7/1993	Su	281/45
5,507,072	A *	4/1996	Youn	16/261
5,536,071	A *	7/1996	Kraftick	297/423.41

(Continued)

Primary Examiner — Barbara Fox
Assistant Examiner — Dana K Weiland
(74) *Attorney, Agent, or Firm* — Cantor Colburn LLP

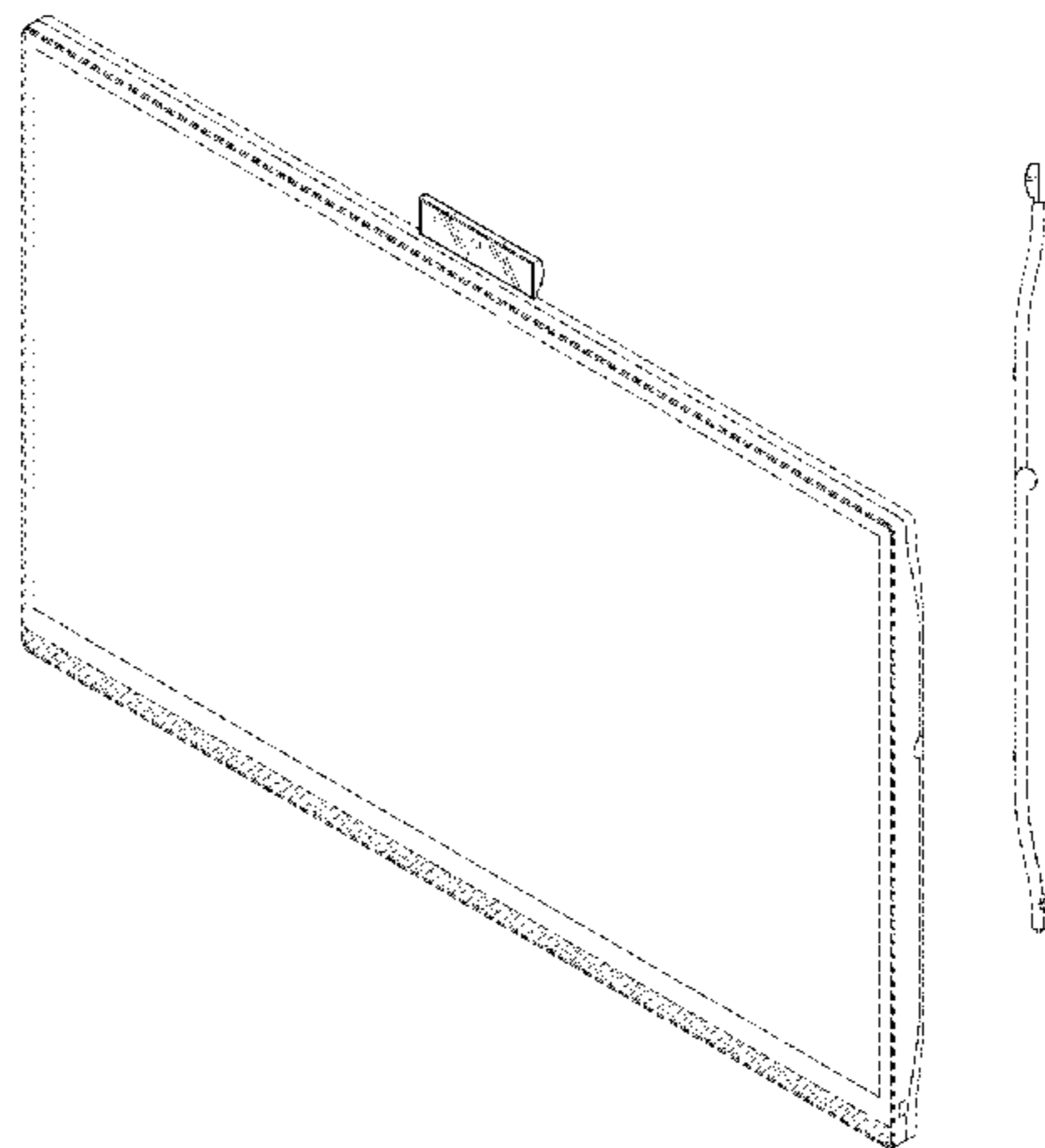
(57) **CLAIM**

I claim, the ornamental design for a tablet PC, as shown and described.

DESCRIPTION

FIG. 1 is a front perspective view of a tablet PC showing my new design;
FIG. 2 is a front view of thereof;
FIG. 3 is a rear view of thereof;
FIG. 4 is a left side view of thereof;
FIG. 5 is a right side view of thereof;
FIG. 6 is a top plan view of thereof;
FIG. 7 is a bottom plan view of thereof;
FIG. 8 is a rear perspective view of thereof;
FIG. 9 is an additional front perspective view thereof, with a portion of the tablet PC in an open position;
FIG. 10 is a front view thereof;
FIG. 11 is a rear view thereof;
FIG. 12 is a left side view thereof;
FIG. 13 is a right side view thereof;
FIG. 14 is a top plan view thereof;
FIG. 15 is a bottom plan view thereof; and,
FIG. 16 is a rear perspective view thereof.
The broken lines shown in the drawings represent portions of the tablet PC that form no part of the claimed design.
The oblique shade lines in the Figures show transparency and not surface ornamentation.

1 Claim, 16 Drawing Sheets



(56)

References Cited

U.S. PATENT DOCUMENTS

D378,731 S *	4/1997	Kopish	D8/356	7,719,827 B2 *	5/2010	Mihara et al.	361/679.27
5,743,565 A *	4/1998	Zimmanck	281/44	D631,445 S *	1/2011	Dittmer et al.	D13/155
6,041,829 A *	3/2000	Chancellor	138/177	D637,571 S *	5/2011	Chiu et al.	D14/126
6,182,933 B1 *	2/2001	Rapp	248/231.81	D647,241 S *	10/2011	Takahashi et al.	D26/76
6,273,374 B1 *	8/2001	Mc Duffey	248/205.3	D663,882 S *	7/2012	Muraishi et al.	D26/76
D467,160 S *	12/2002	Roick	D8/371	D665,195 S *	8/2012	Hsieh	D6/449
6,499,703 B2 *	12/2002	Chou	248/118	D683,398 S *	5/2013	Bratter et al.	D19/1
D471,081 S *	3/2003	Wu et al.	D8/356	D693,813 S *	11/2013	Symons	D14/432
D537,423 S *	2/2007	Voege et al.	D14/126	D696,250 S *	12/2013	Wang et al.	D14/341
D541,143 S *	4/2007	Ruddick	D8/395	D701,989 S *	4/2014	Rodgers et al.	D26/76
D555,117 S *	11/2007	Tanaka et al.	D14/126	D702,229 S *	4/2014	Lim et al.	D14/341
7,318,568 B2 *	1/2008	Barouta	248/95	D711,371 S *	8/2014	Chen et al.	D14/341
D564,466 S *	3/2008	Inaba	D14/126	D714,784 S *	10/2014	Park	D14/341
D576,722 S *	9/2008	Nishio et al.	D23/393	D719,152 S *	12/2014	Ahn et al.	D14/345
D577,573 S *	9/2008	Wood	D8/356	D720,702 S *	1/2015	Baldwin et al.	D13/155
D601,629 S *	10/2009	Johnson	D19/65	D721,361 S *	1/2015	Lee et al.	D14/315
				2007/0241002 A1 *	10/2007	Wu et al.	206/150
				2011/0259775 A1 *	10/2011	Bratter et al.	206/449
				2011/0317345 A1 *	12/2011	Huang et al.	361/679.01

* cited by examiner

FIG. 1

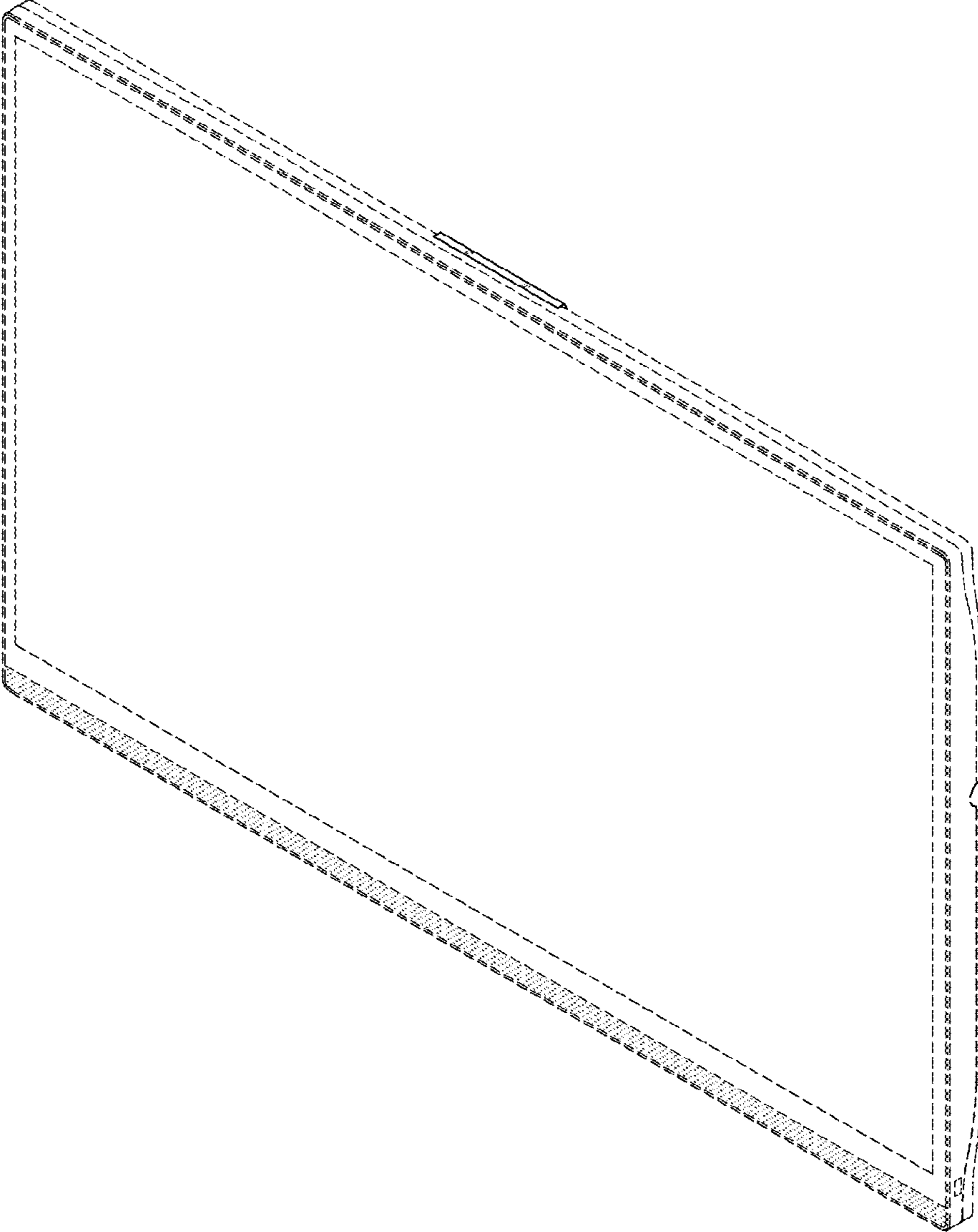


FIG. 2

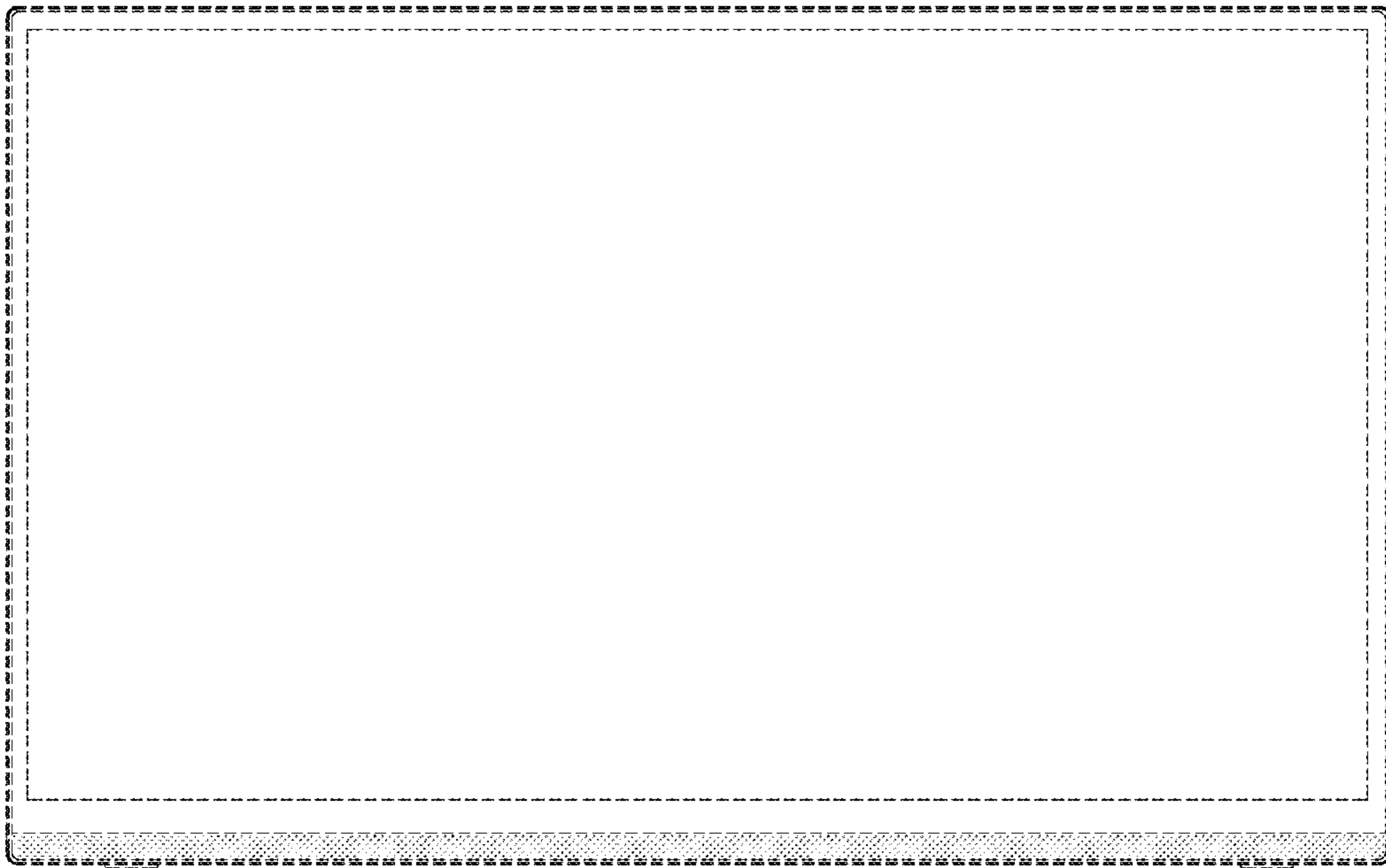


FIG. 3

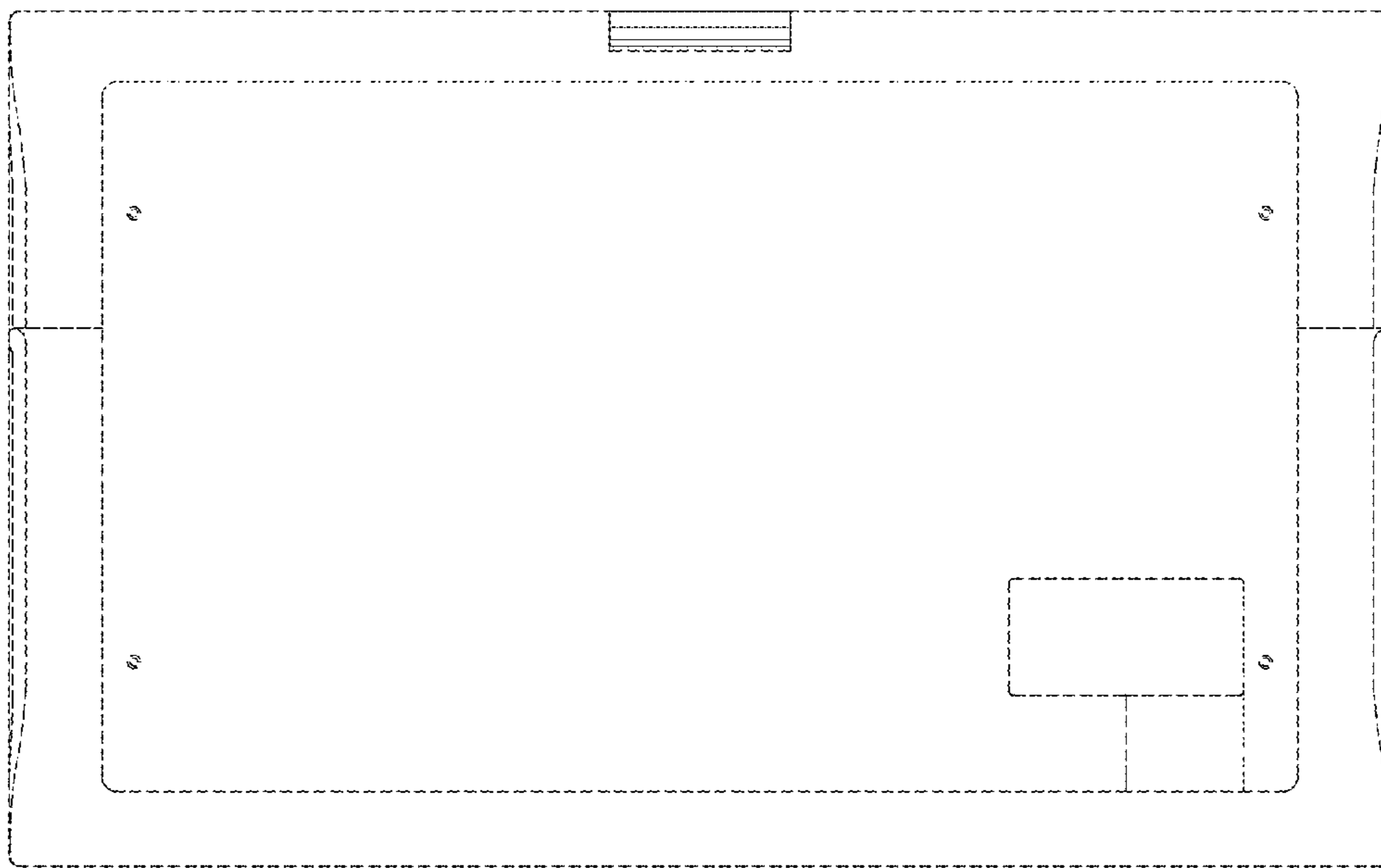


FIG. 4



FIG. 5

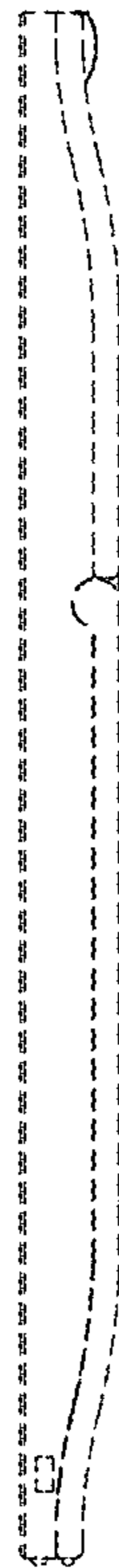


FIG. 6

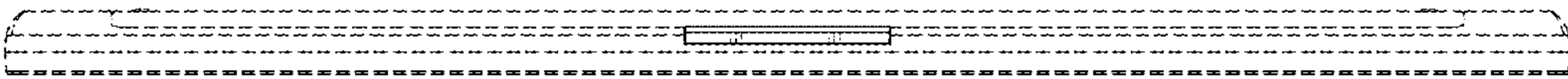


FIG. 7



FIG. 8

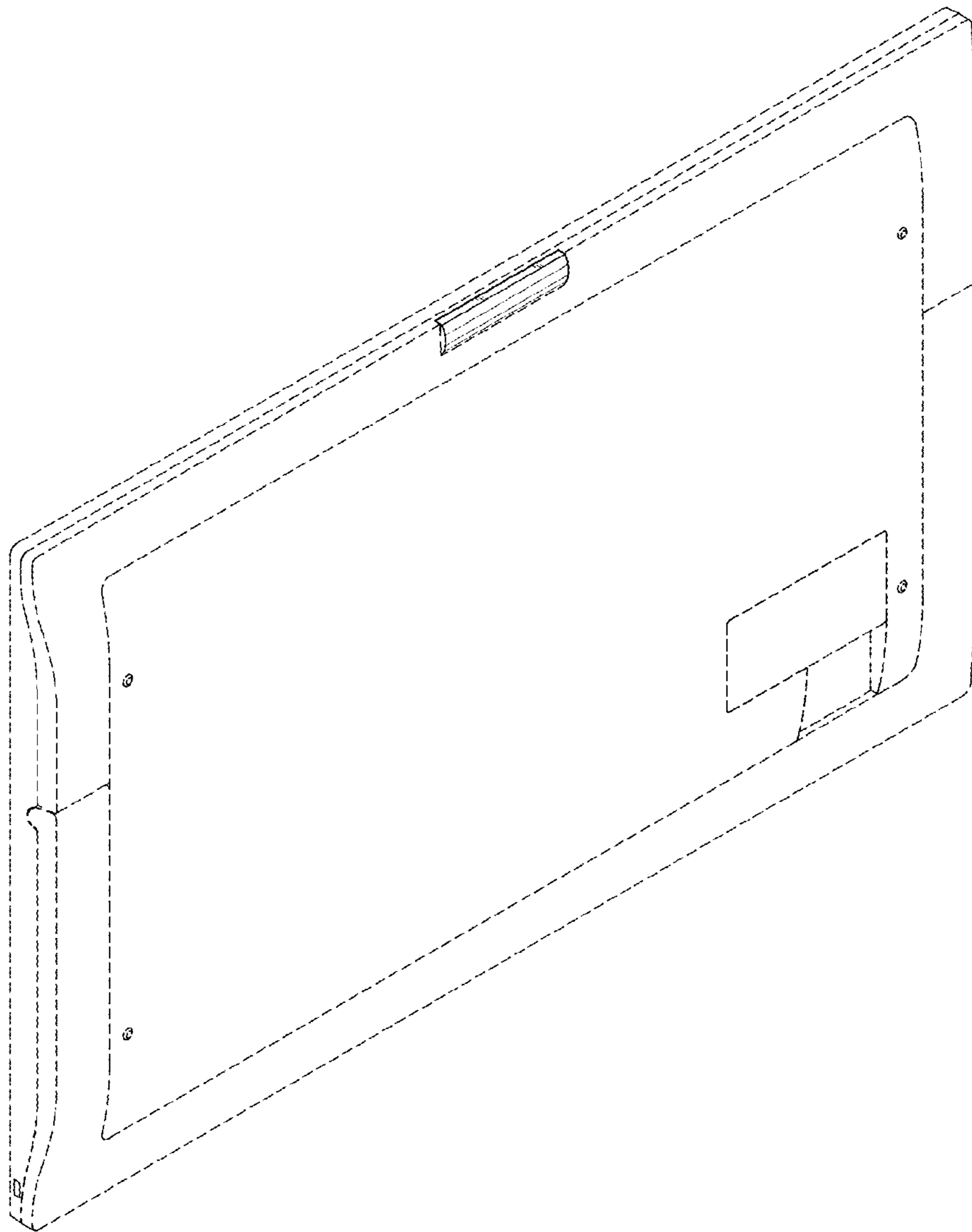


FIG. 9

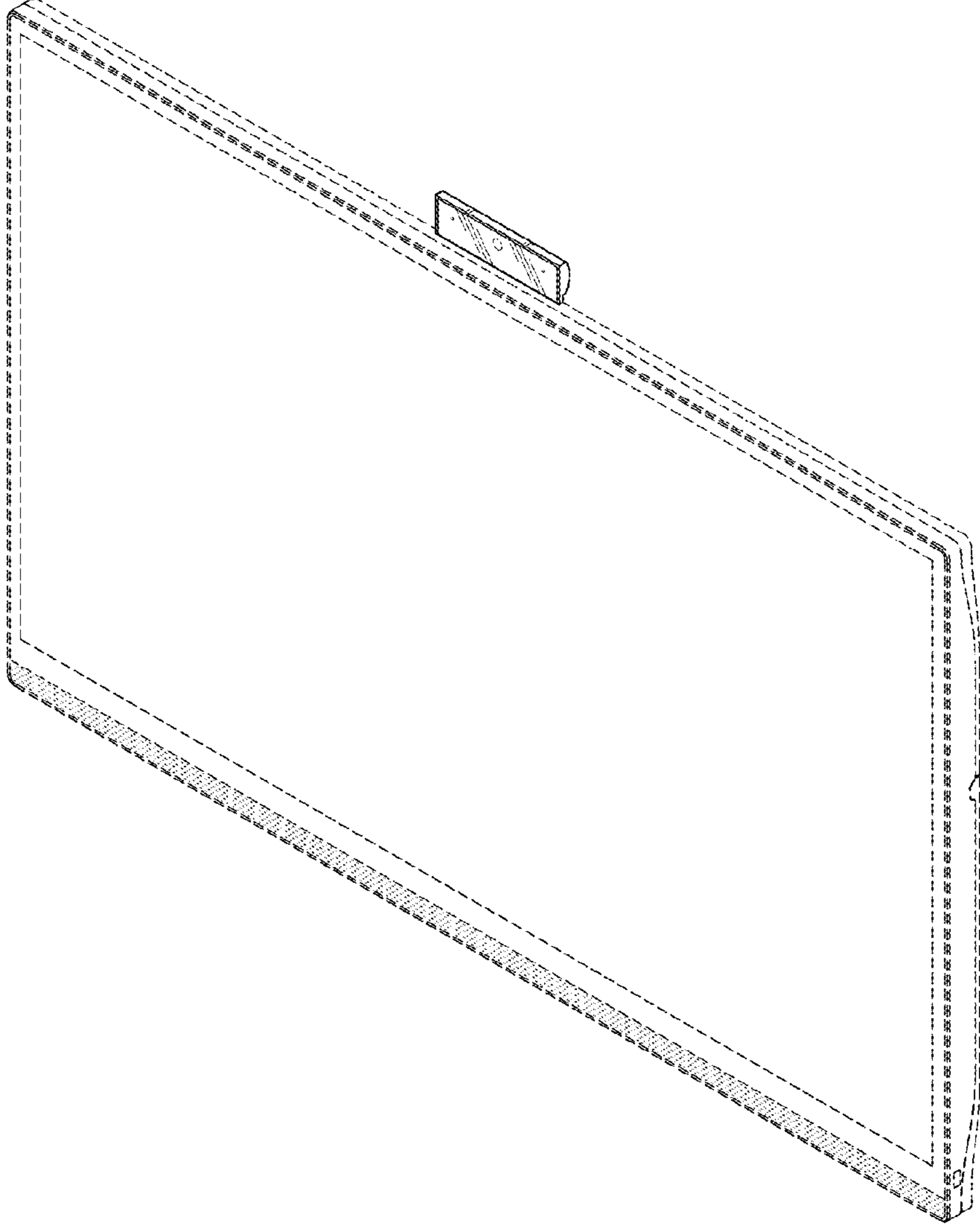


FIG. 10

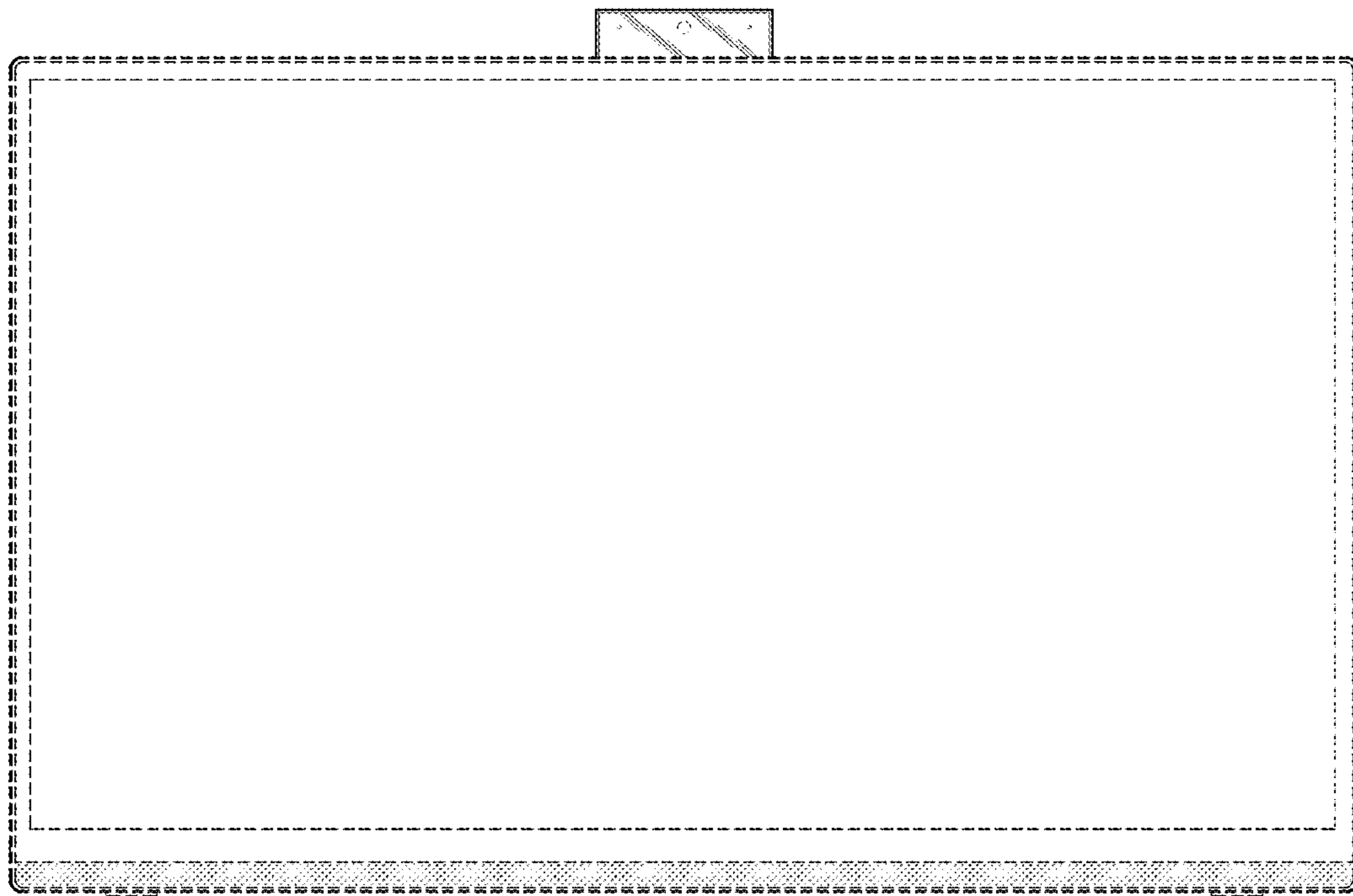


FIG. 11

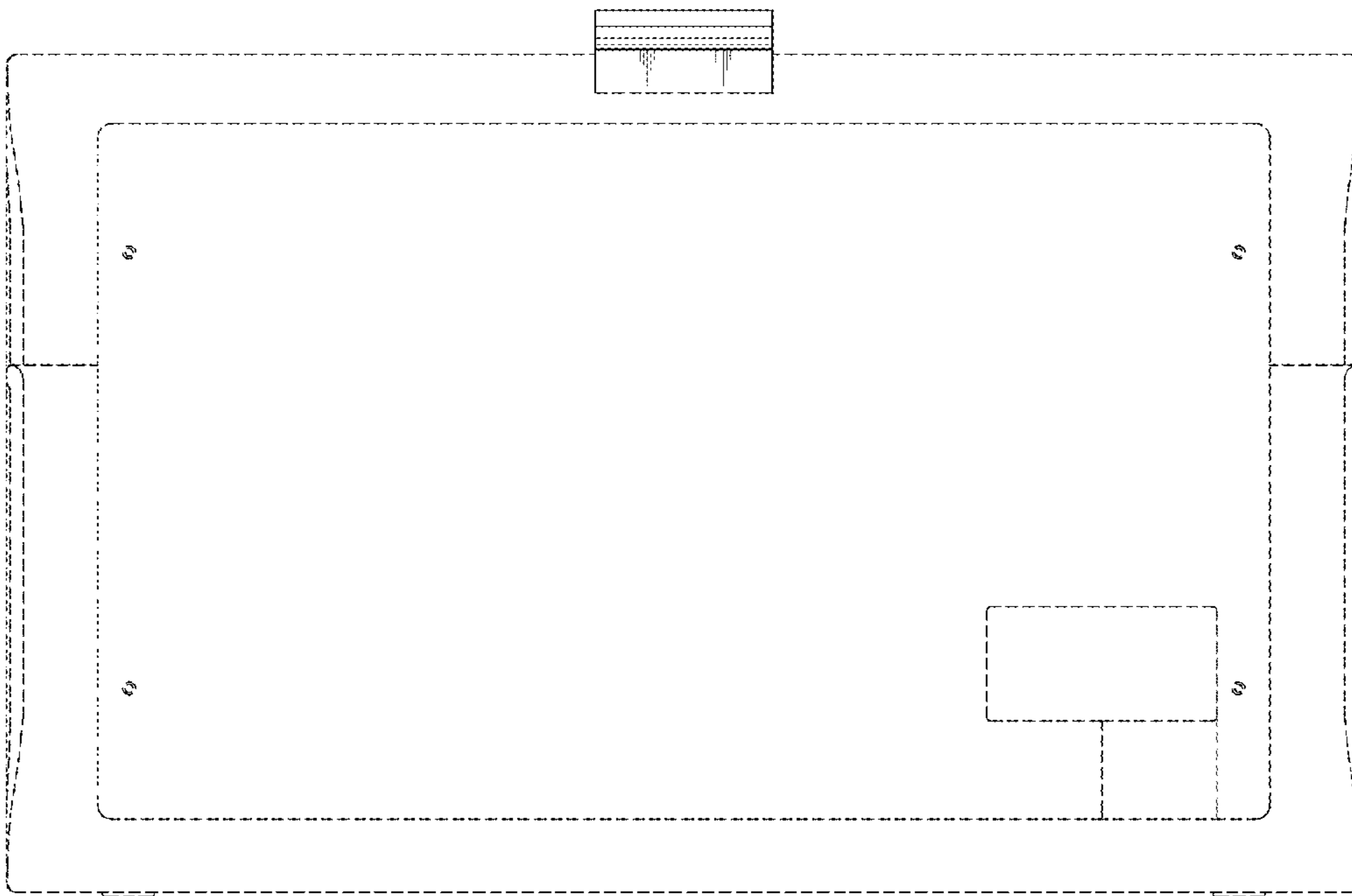


FIG. 12



FIG. 13

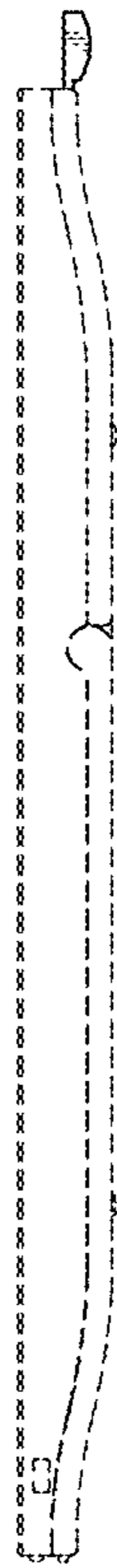


FIG. 14

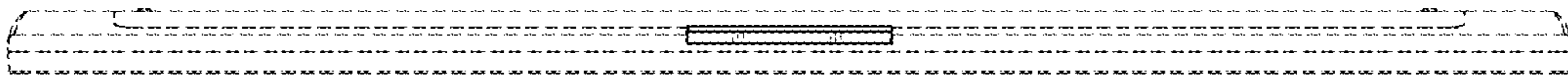


FIG. 15



FIG. 16

