

US00D744997S

(12) **United States Design Patent**  
**Fujioka**

(10) **Patent No.:** **US D744,997 S**

(45) **Date of Patent:** **\*\* Dec. 8, 2015**

(54) **ELECTRONIC DEVICE**

(71) Applicant: **Robb Fujioka**, Manhattan Beach, CA  
(US)

(72) Inventor: **Robb Fujioka**, Manhattan Beach, CA  
(US)

(73) Assignee: **Fuhu, Inc.**, El Segundo, CA (US)

(\*\*) Term: **14 Years**

(21) Appl. No.: **29/446,132**

(22) Filed: **Feb. 20, 2013**

(51) **LOC (10) Cl.** ..... **14-02**

(52) **U.S. Cl.**  
USPC ..... **D14/341**

(58) **Field of Classification Search**  
USPC ..... D14/341-347, 137, 138 R, 138 AA,  
D14/138 C, 138 G, 496, 203.1, 203.3, 203.4,  
D14/203.7, 129, 130, 147, 218, 248, 389,  
D14/388, 426, 420; D10/65, 104.1;  
D18/6-7; D21/324, 329, 330;  
455/556.1, 556.2, 566, 575.1, 90.3;  
379/433.04, 433.01, 433.06, 916;  
345/173, 901, 905; 361/679.26, 679.3,  
361/679.55, 679.56

CPC . H04M 1/00; H04M 11/066; H04M 1/72519;  
H04M 2201/38; H04M 2250/22; G06F 15/00

See application file for complete search history.

(56) **References Cited**

U.S. PATENT DOCUMENTS

D510,576 S *	10/2005	Summit et al. ....	D14/341
D519,394 S *	4/2006	DiPasquale .....	D10/106.1
D537,441 S *	2/2007	Bruker .....	D14/341
D615,973 S *	5/2010	Sip et al. ....	D14/346
D628,570 S *	12/2010	Li .....	D14/341
D635,971 S *	4/2011	Sip et al. ....	D14/341
D641,751 S *	7/2011	Morton et al. ....	D14/341
D645,040 S *	9/2011	Morton et al. ....	D14/341
D672,767 S *	12/2012	Yoneya et al. ....	D14/341
D676,043 S *	2/2013	Hirose .....	D14/341
D676,046 S *	2/2013	Hatori et al. ....	D14/341

\* cited by examiner

*Primary Examiner* — Barbara Fox

(74) *Attorney, Agent, or Firm* — Steptoe & Johnson LLP

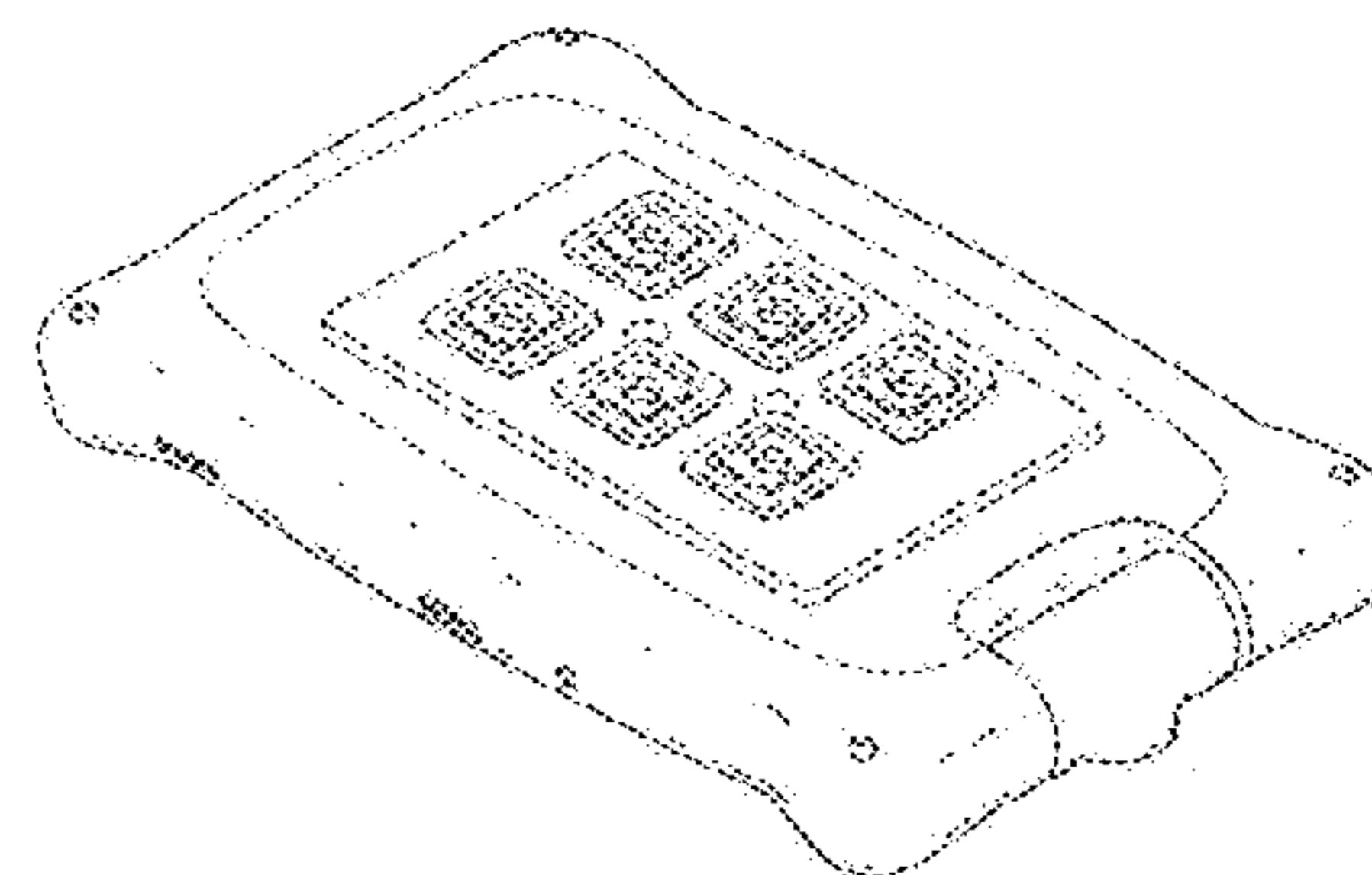
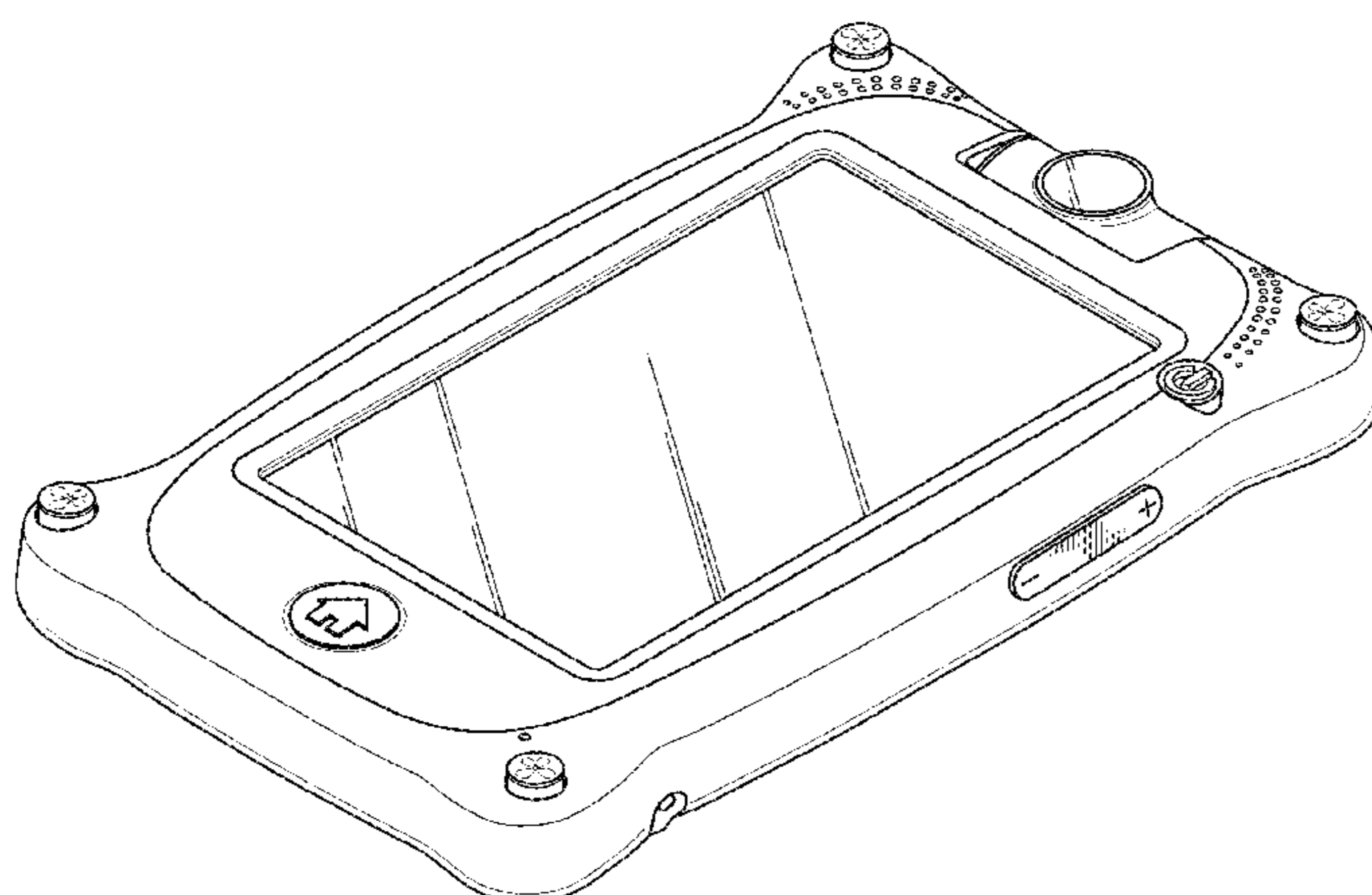
(57) **CLAIM**

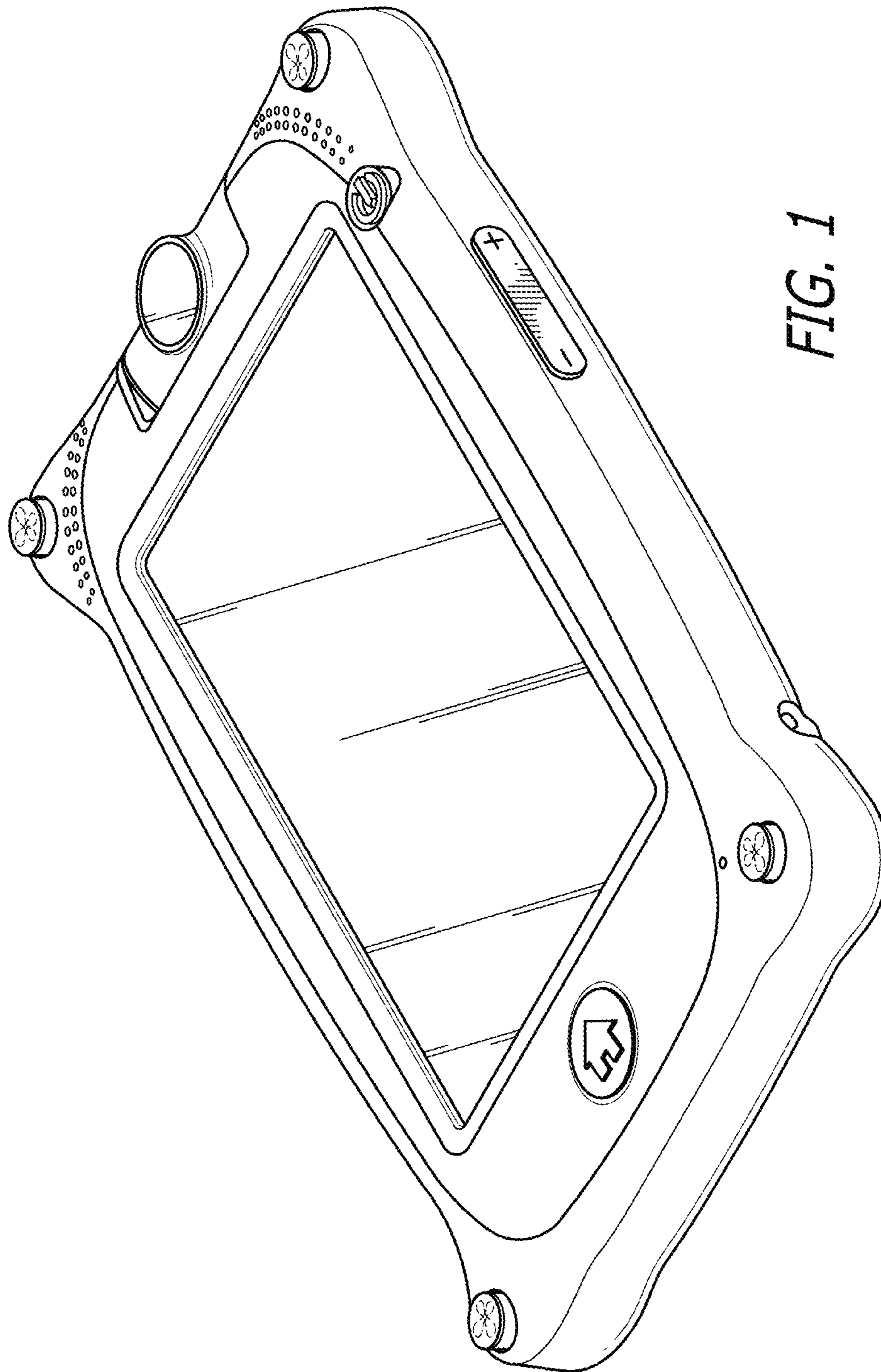
The ornamental design for an electronic device, as shown and described.

**DESCRIPTION**

FIG. 1 is a top perspective view of an electronic device showing a new design;  
FIG. 2 is a top view thereof;  
FIG. 3 is a bottom view thereof;  
FIG. 4 is an upper side view thereof;  
FIG. 5 is a lower side view thereof;  
FIG. 6 is a right side view thereof;  
FIG. 7 is a left side view thereof; and,  
FIG. 8 is a bottom perspective view thereof.  
The broken lines shown in the drawings represent portions of the electronic device which form no part of the claimed design.

**1 Claim, 4 Drawing Sheets**





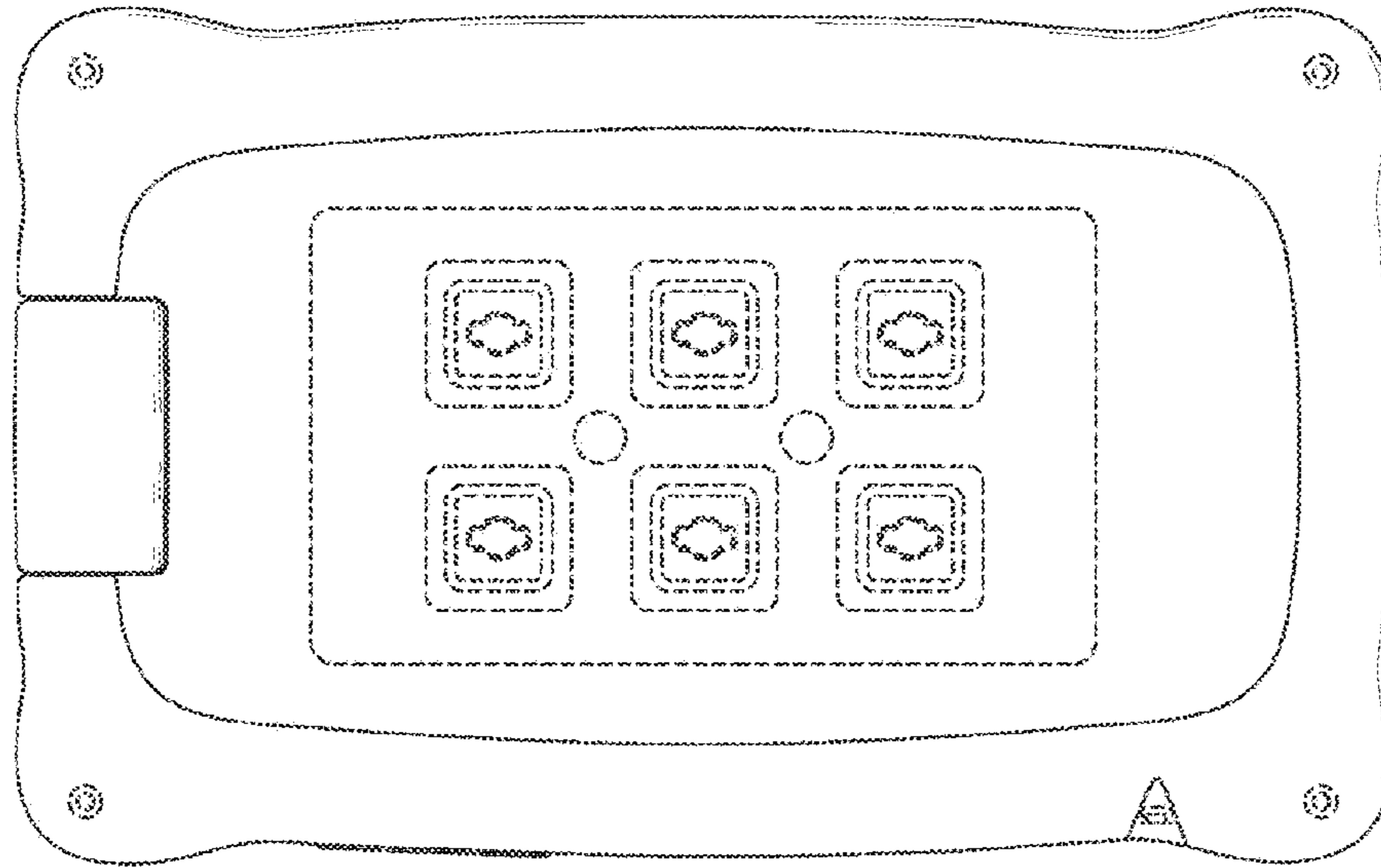


FIG. 2

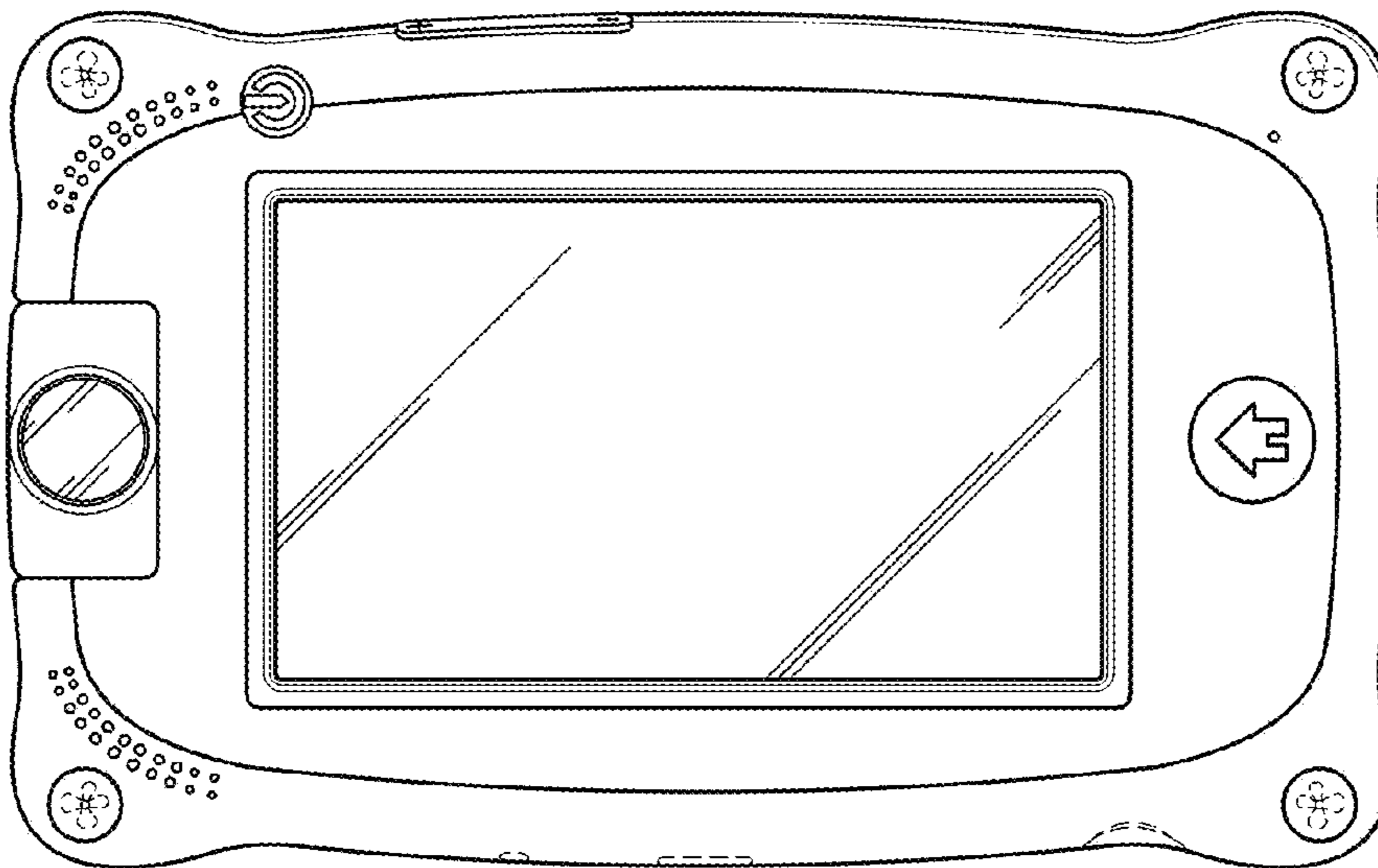


FIG. 3

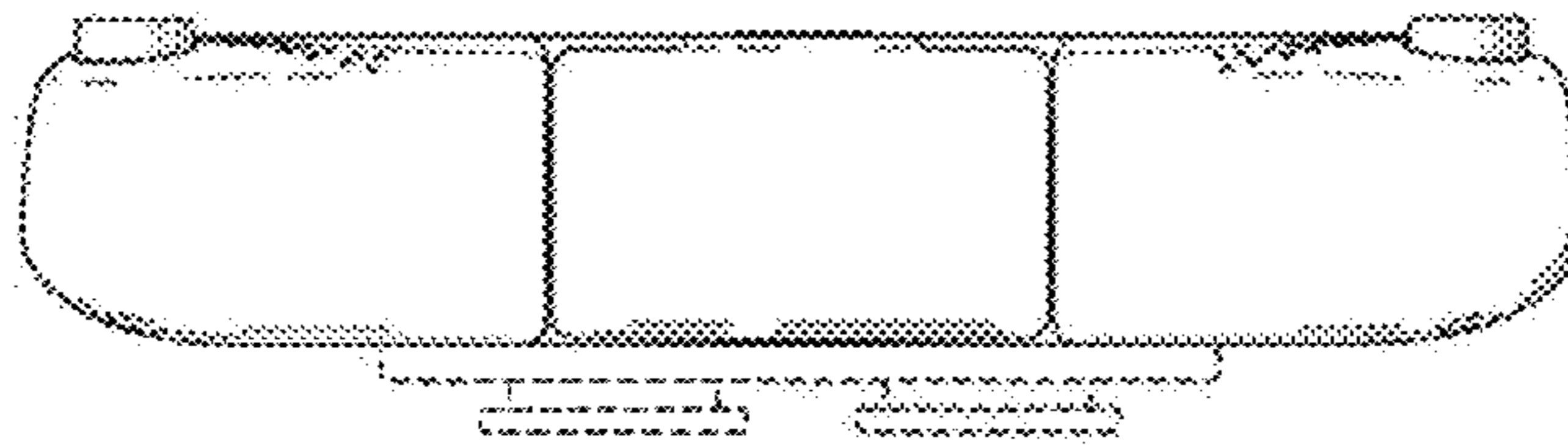


Fig. 4

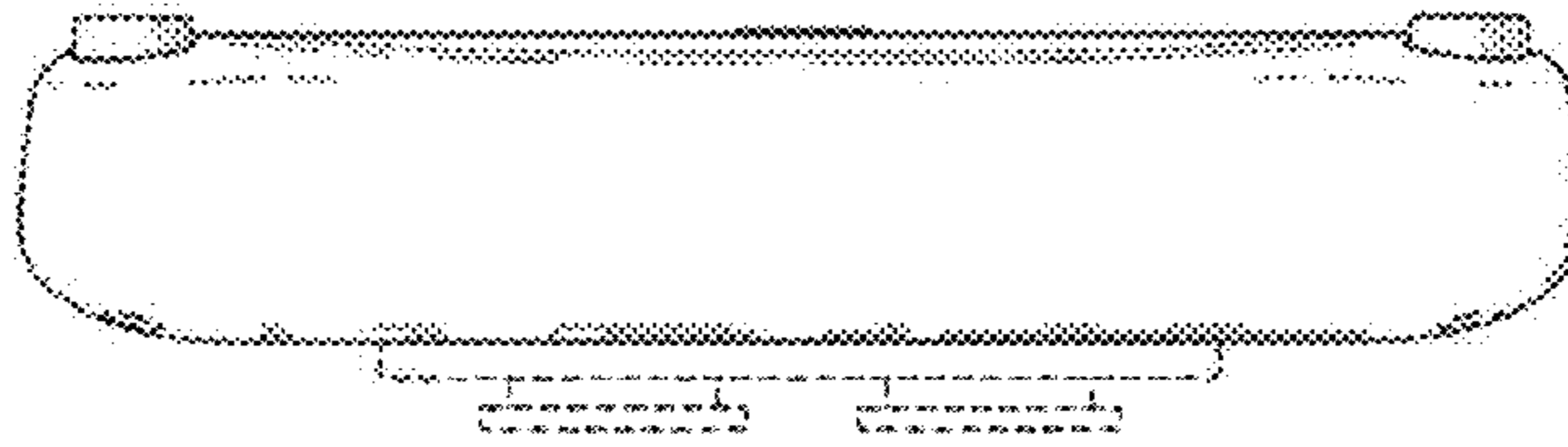


Fig. 5

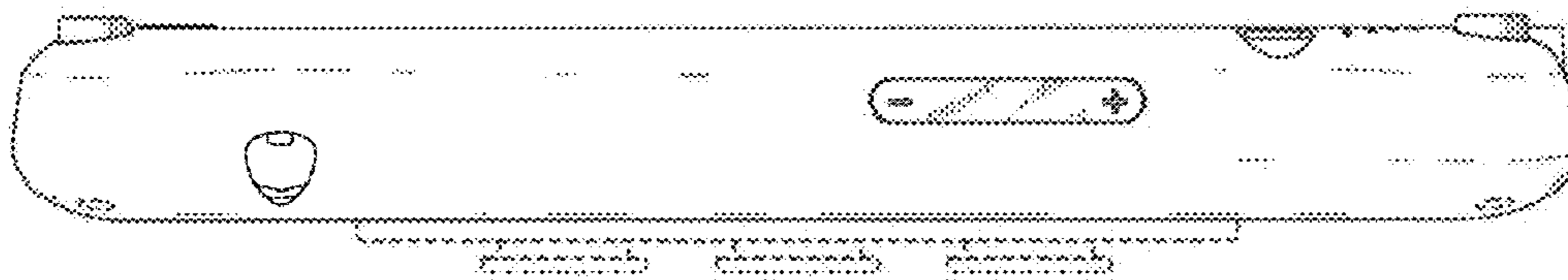


Fig. 6

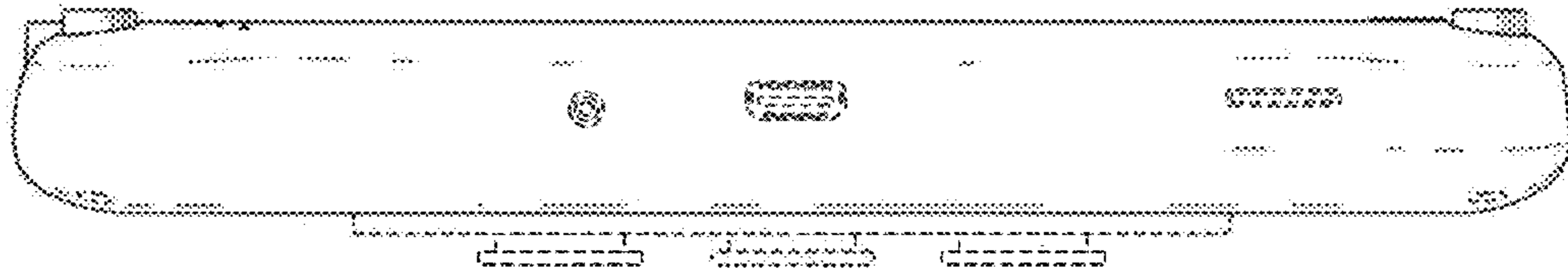


Fig. 7

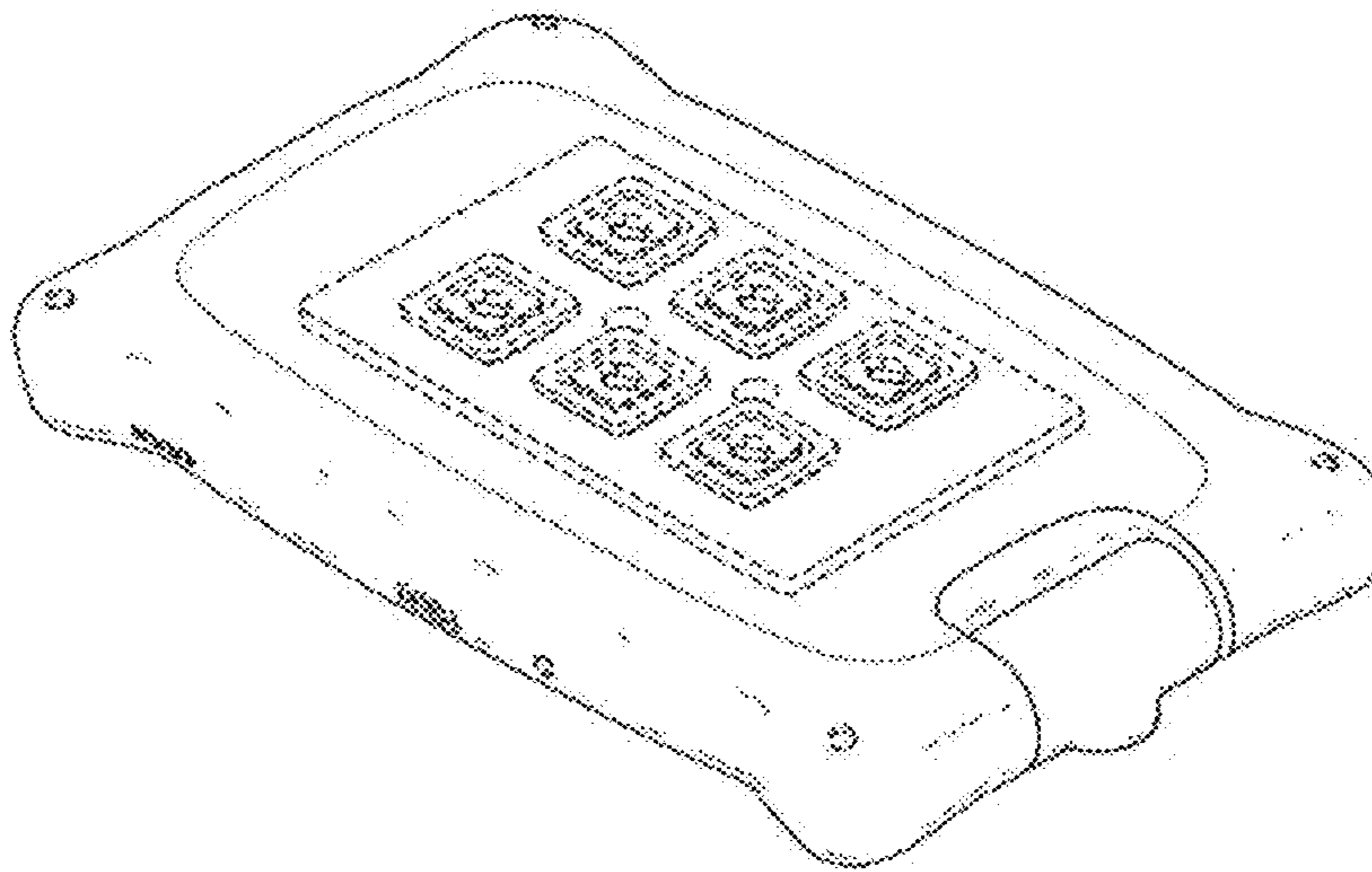


Fig. 8