



US00D744994S

(12) **United States Design Patent**
Akana et al.

(10) **Patent No.:** **US D744,994 S**
(45) **Date of Patent:** **** Dec. 8, 2015**

(54) **CASE FOR ELECTRONIC DEVICE**

(71) Applicant: **Apple Inc.**, Cupertino, CA (US)

(72) Inventors: **Jody Akana**, San Francisco, CA (US);
Bartley K. Andre, Palo Alto, CA (US);
Shota Aoyagi, San Francisco, CA (US);
Jeremy Bataillou, San Francisco, CA (US);
Daniel J. Coster, San Francisco, CA (US);
Daniele De Iuliis, San Francisco, CA (US);
M. Evans Hankey, San Francisco, CA (US);
Julian Hoening, San Francisco, CA (US);
Richard P. Howarth, San Francisco, CA (US);
Jonathan P. Ive, San Francisco, CA (US);
Duncan Robert Kerr, San Francisco, CA (US);
Matthew Dean Rohrbach, San Francisco, CA (US);
Peter Russell-Clarke, San Francisco, CA (US);
Mikael Silvanto, San Francisco, CA (US);
Christopher J. Stringer, Woodside, CA (US);
Eugene Antony Whang, San Francisco, CA (US);
Rico Zörkendörfer, San Francisco, CA (US)

(73) Assignee: **Apple Inc.**, Cupertino, CA (US)

(**) Term: **15 Years**

(21) Appl. No.: **29/527,934**

(22) Filed: **May 22, 2015**

Related U.S. Application Data

(63) Continuation of application No. 29/466,599, filed on Sep. 10, 2013, now Pat. No. Des. 730,340.

(51) **LOC (10) Cl.** **14-03**

(52) **U.S. Cl.**
USPC **D14/250**

(58) **Field of Classification Search**
USPC D14/250–253, 440, 203.3–203.7, 217, D14/496, 248, 238.1, 240, 447, 230, 247, D14/341, 345, 346, 439; D3/201, 218, 269,

D3/301, 273, 303, 247, 249; D13/103, D13/107–108, 119; 220/4.02; 248/309.1; 361/679.56; 379/426, 433.11, 455; 455/575.1, 575.8; 190/100; 206/305, 206/320

CPC A45C 2011/002; A45C 11/00; A45C 13/002; A45C 2011/003; H04M 1/0283; H04M 1/0202

See application file for complete search history.

(56) **References Cited**

U.S. PATENT DOCUMENTS
D114,891 S 5/1939 Fogel
2,557,420 A * 6/1951 Elliott 206/366

(Continued)

FOREIGN PATENT DOCUMENTS

EM 000581210-0001 9/2006
EM 002085373-0001 8/2012

(Continued)

OTHER PUBLICATIONS

U.S. Appl. No. 29/452,631, filed Apr. 18, 2013.

Primary Examiner — Carla Jobe Wright

Assistant Examiner — Holly E Thurman

(74) *Attorney, Agent, or Firm* — Sterne, Kessler, Goldstein & Fox P.L.L.C.

(57) **CLAIM**

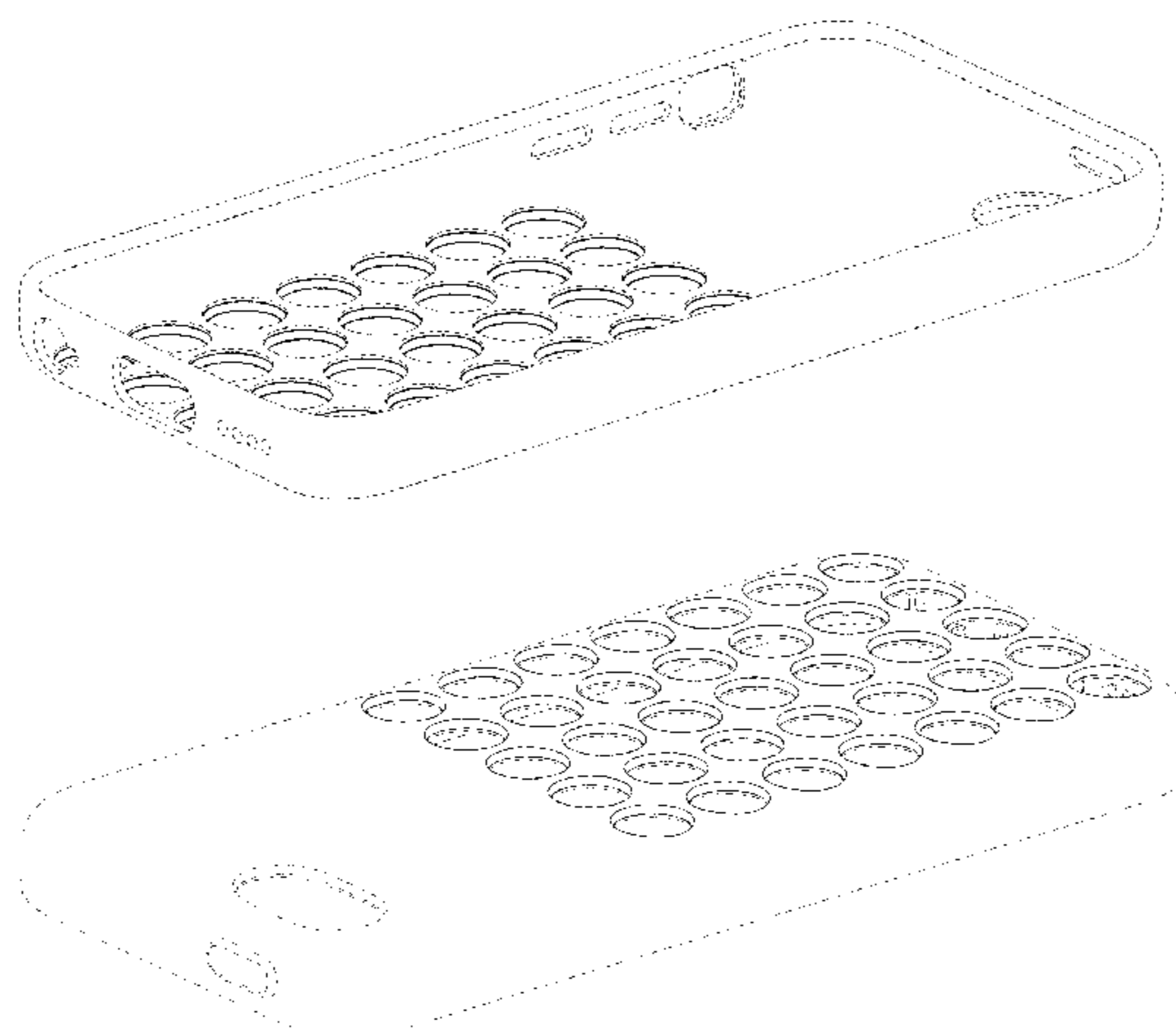
The ornamental design for a case for electronic device, as shown and described.

DESCRIPTION

FIG. 1 is a bottom front perspective view of a case for electronic device showing our new design;
FIG. 2 is a top rear perspective view thereof;
FIG. 3 is a front view thereof;
FIG. 4 is a rear view thereof;
FIG. 5 is a left side view thereof;
FIG. 6 is a right side view thereof;
FIG. 7 is a top view thereof; and,
FIG. 8 is a bottom view thereof.

The broken lines in the Figures show portions of the case that form no part of the claimed design.

1 Claim, 6 Drawing Sheets



(56)

References Cited

U.S. PATENT DOCUMENTS

D191,070 S 8/1961 McCreery
 4,726,466 A * 2/1988 Cooper 206/366
 4,772,418 A * 9/1988 Leoncavallo 422/310
 4,973,315 A * 11/1990 Sincock 604/192
 D332,664 S 1/1993 Sincock
 D411,448 S 6/1999 Baker
 5,989,606 A * 11/1999 Sambrailo 426/106
 D554,903 S * 11/2007 Raile D6/682.2
 D556,681 S 12/2007 Kim
 D574,819 S 8/2008 Andre et al.
 D575,056 S 8/2008 Tan
 D597,370 S * 8/2009 Watkins D7/354
 7,697,281 B2 4/2010 Dabov et al.
 D619,361 S 7/2010 Andre et al.
 D622,716 S 8/2010 Andre et al.
 D623,180 S 9/2010 Diebel
 D624,403 S 9/2010 Hansen et al.
 7,796,381 B2 9/2010 Zuo et al.
 D624,815 S 10/2010 Hansen et al.
 D625,524 S 10/2010 Schwartz et al.
 D628,306 S * 11/2010 Blanc et al. D24/230
 D641,347 S 7/2011 Fathollahi
 D644,218 S 8/2011 Akana et al.
 D647,519 S 10/2011 Rothbaum et al.
 D648,718 S 11/2011 Andre et al.
 8,106,836 B2 1/2012 Hill et al.
 8,116,073 B2 2/2012 Hung et al.
 D659,132 S 5/2012 Wen
 D662,503 S 6/2012 Akana et al.
 D662,922 S 7/2012 Akana et al.
 8,250,724 B2 8/2012 Dabov et al.
 D668,246 S 10/2012 Fathollahi

D669,458 S 10/2012 Wilson et al.
 D671,109 S 11/2012 Rothbaum et al.
 D671,930 S 12/2012 Akana et al.
 D675,604 S 2/2013 Limber et al.
 D677,664 S 3/2013 Akana et al.
 D681,032 S 4/2013 Akana et al.
 D682,817 S 5/2013 Murchison et al.
 8,443,971 B1 5/2013 Green et al.
 D686,749 S * 7/2013 Trump D24/230
 D692,878 S 11/2013 Akana et al.
 D694,226 S 11/2013 Thompson et al.
 D697,068 S 1/2014 Andre et al.
 D697,511 S 1/2014 Andre et al.
 D699,717 S 2/2014 Akana et al.
 8,655,422 B2 2/2014 Stiehl et al.
 D704,261 S * 5/2014 Kim et al. D19/85
 D717,775 S 11/2014 Hemesath et al.
 D719,559 S 12/2014 Dukerschein et al.
 D722,309 S 2/2015 Green et al.
 D723,567 S 3/2015 Akana et al.
 2007/0259247 A1 11/2007 Kibune et al.
 2008/0182633 A1 7/2008 Imaizumi et al.
 2009/0084705 A1 * 4/2009 Justiss 206/724
 2010/0146766 A1 6/2010 Dabov et al.
 2012/0274195 A1 11/2012 Thompson et al.
 2013/0098788 A1 * 4/2013 McCarville et al. 206/320
 2013/0118932 A1 * 5/2013 Green et al. 206/320

FOREIGN PATENT DOCUMENTS

KR 300408147 3/2006
 TW D125373 10/2008
 TW D145513 2/2012

* cited by examiner

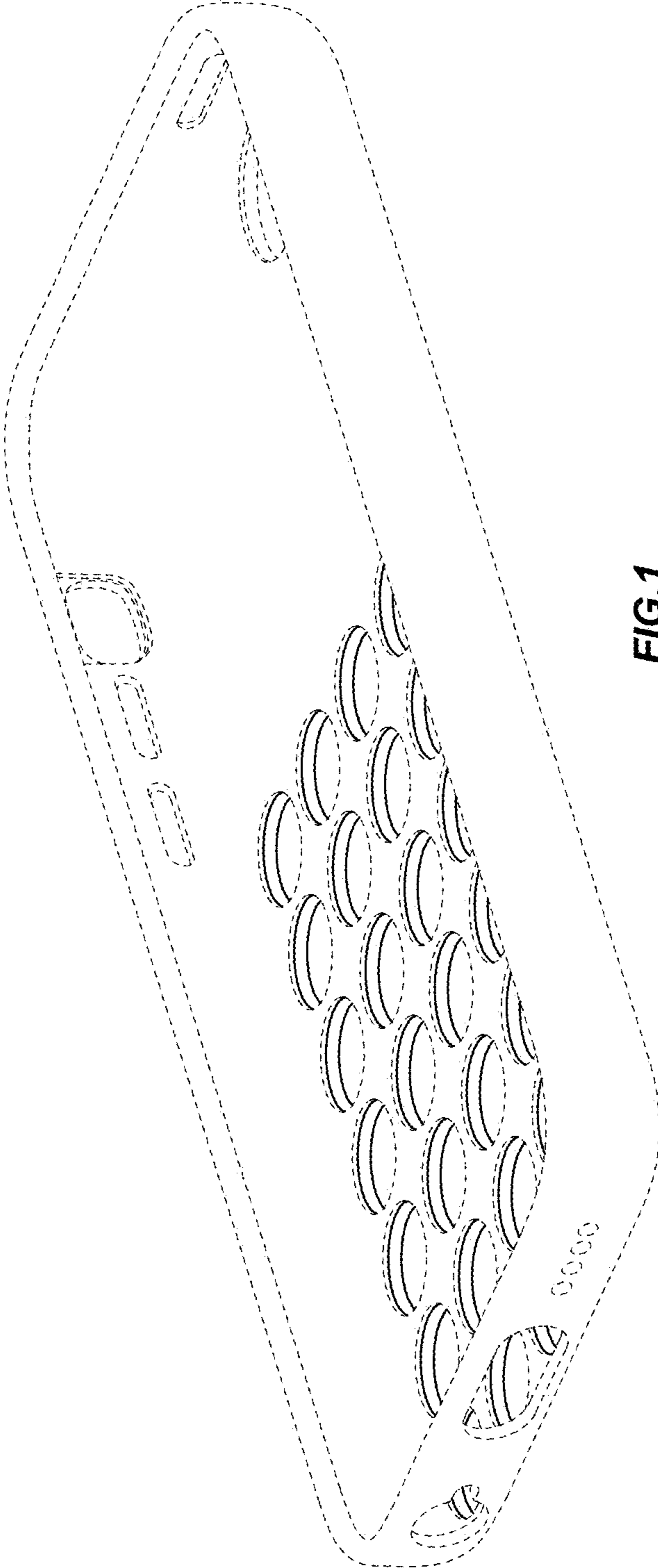


FIG. 1

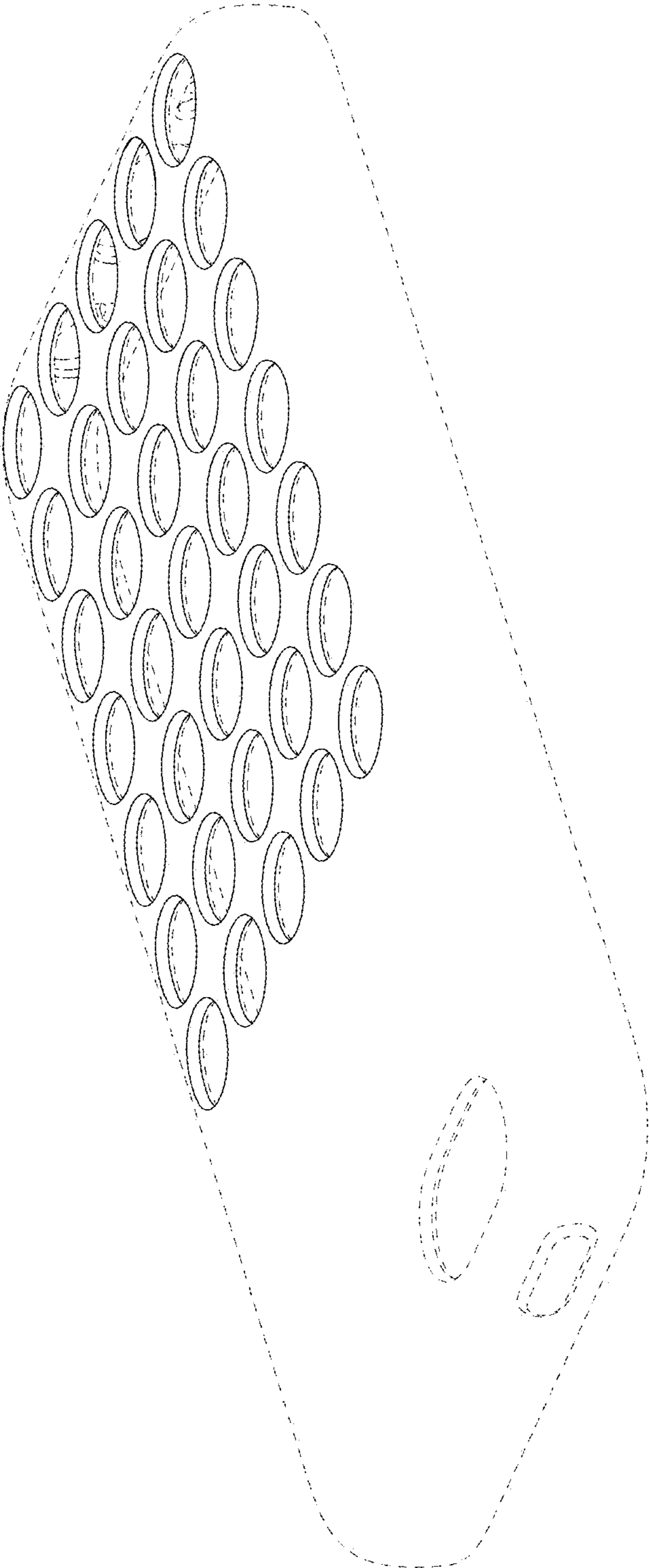


FIG. 2

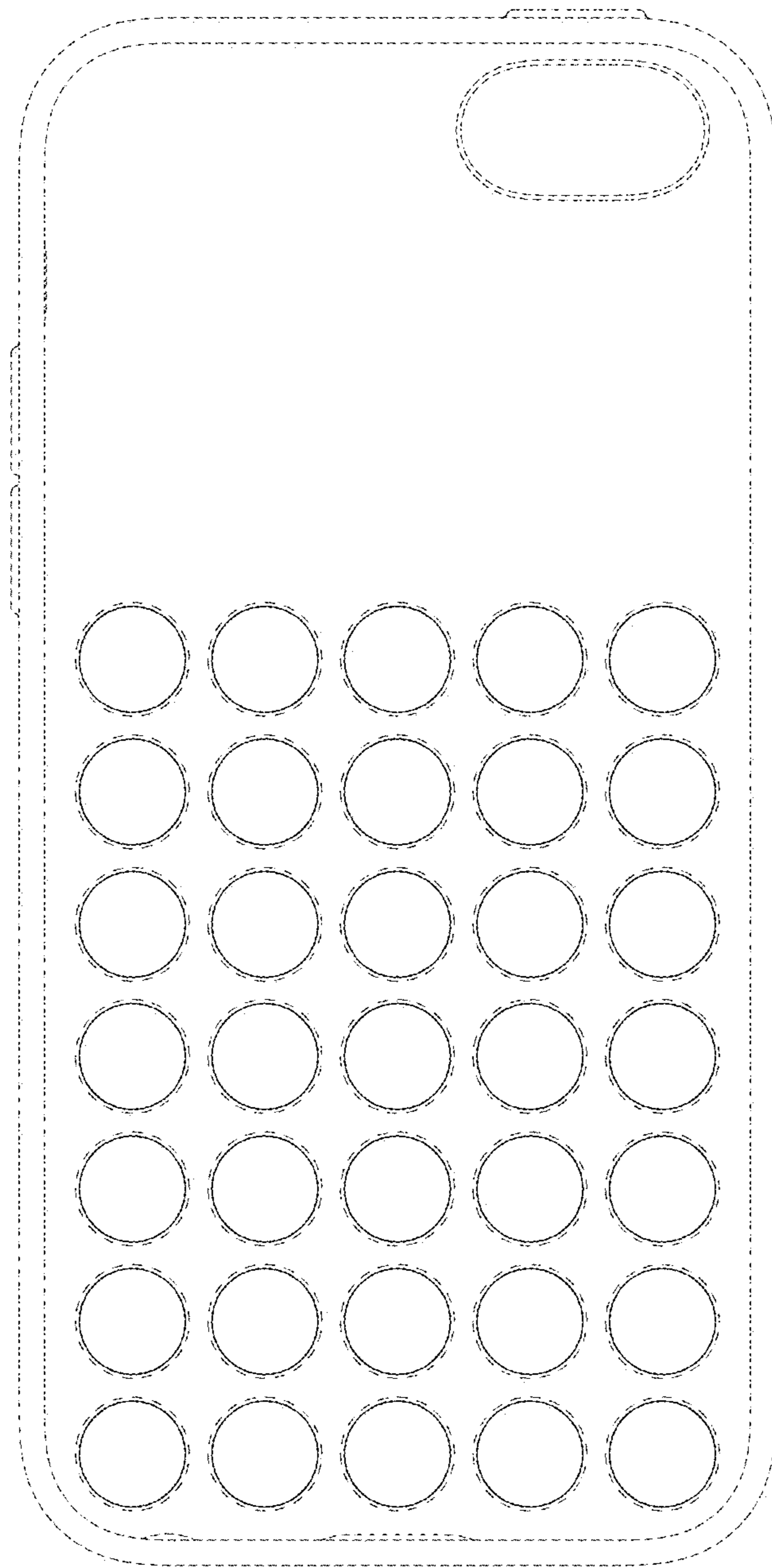


FIG. 3

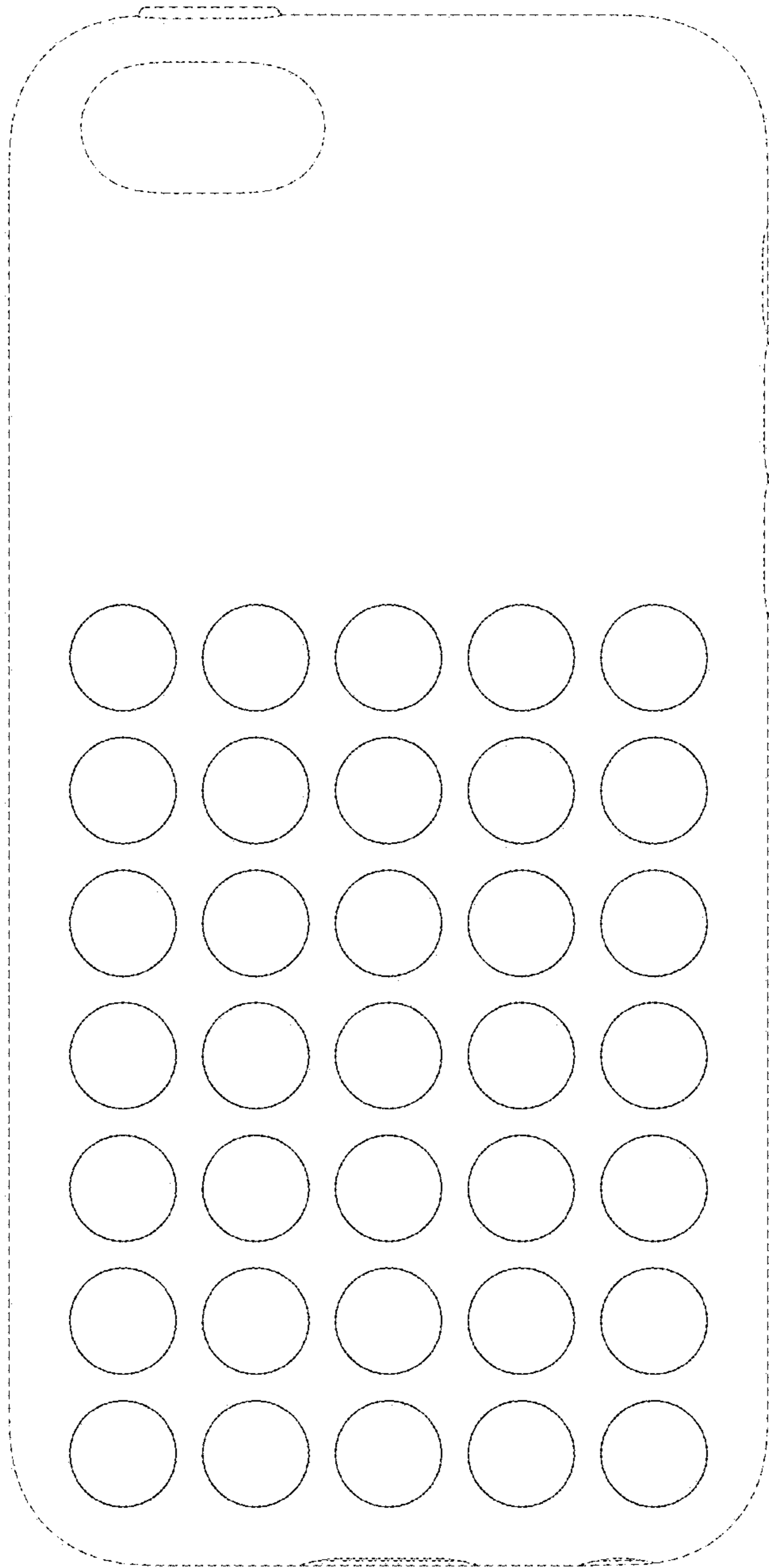


FIG. 4



FIG. 5

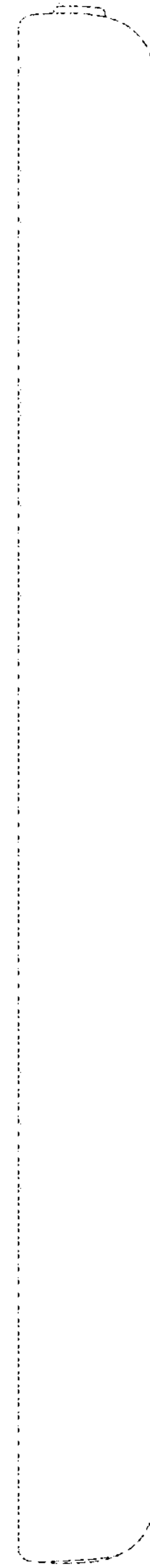


FIG. 6



FIG. 7

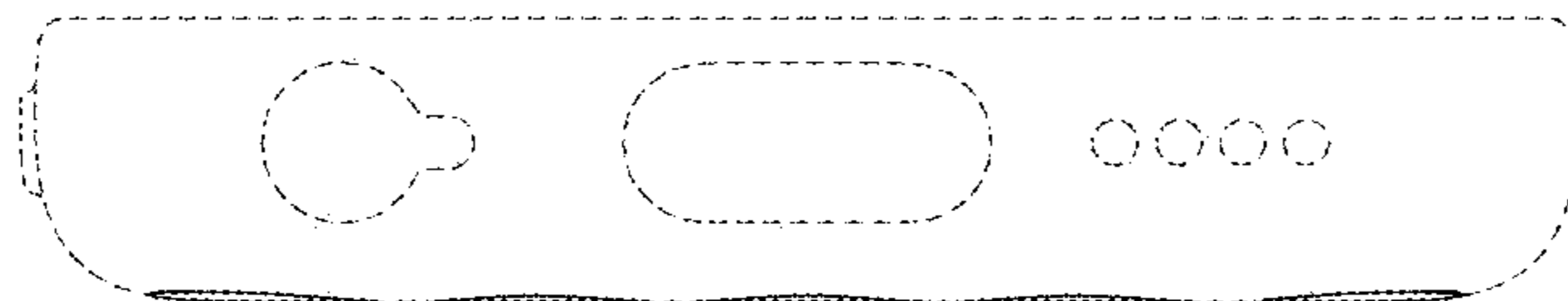


FIG. 8