



US00D744986S

(12) **United States Design Patent**
Huerta et al.

(10) **Patent No.:** **US D744,986 S**
(45) **Date of Patent:** **** Dec. 8, 2015**

(54) **WIRELESS TRANSMISSION STATION**

D357,226 S 4/1995 Ybanez et al.
D371,361 S 7/1996 Velinsky
D385,564 S * 10/1997 Serksnis et al. D14/230

(71) Applicant: **Ubiquiti Networks, Inc.**, San Jose, CA (US)

(Continued)

(72) Inventors: **Gerardo Huerta**, San Jose, CA (US);
Jude Lee, San Jose, CA (US); **Robert Pera**, San Jose, CA (US)

FOREIGN PATENT DOCUMENTS

CN 3473730 * 9/2005
CN 301176493 * 4/2010

(Continued)

(73) Assignee: **Ubiquiti Networks, Inc.**, San Jose, CA (US)

OTHER PUBLICATIONS

(**) Term: **14 Years**

Boeing E-3 Sentry—Wikipedia, the free encyclopedia, introduction date Mar. 1977, online, site visited Apr. 25, 2015, http://en.wikipedia.org/wiki/Boeing_E-3_Sentry.*

(Continued)

(21) Appl. No.: **29/466,399**

(22) Filed: **Sep. 6, 2013**

(51) **LOC (10) Cl.** **14-03**

(52) **U.S. Cl.**

USPC **D14/230**; D14/238

(58) **Field of Classification Search**

USPC D14/230–238, 299, 358;
343/700 R–705, 711–713, 871–908;
455/90.2–90.3; D21/441, 443, 451,
D21/681; D6/653.18, 653.22, 677

CPC H01Q 7/00; H01Q 13/10; H01Q 9/285;
H01Q 19/30; H01Q 19/12; H01Q 1/38;
H04B 1/0475; H04B 1/034; H05K 11/00

See application file for complete search history.

Primary Examiner — John Windmuller

Assistant Examiner — John R Yeh

(74) *Attorney, Agent, or Firm* — Shay Glenn LLP

(57) **CLAIM**

The ornamental design of a wireless transmission station, substantially as shown and described.

DESCRIPTION

FIG. 1 is a back perspective (elevational) view of another embodiment of a wireless transmission station in accordance with the present invention.

FIG. 2 is a back view of the wireless transmission station in FIG. 1.

FIG. 3 is a left side view thereof.

FIG. 4 is a right side view thereof.

FIG. 5 is a bottom view thereof.

FIG. 6 is a top view thereof.

FIG. 7 is a front perspective (elevational) view thereof; and, FIG. 8 is a front view thereof.

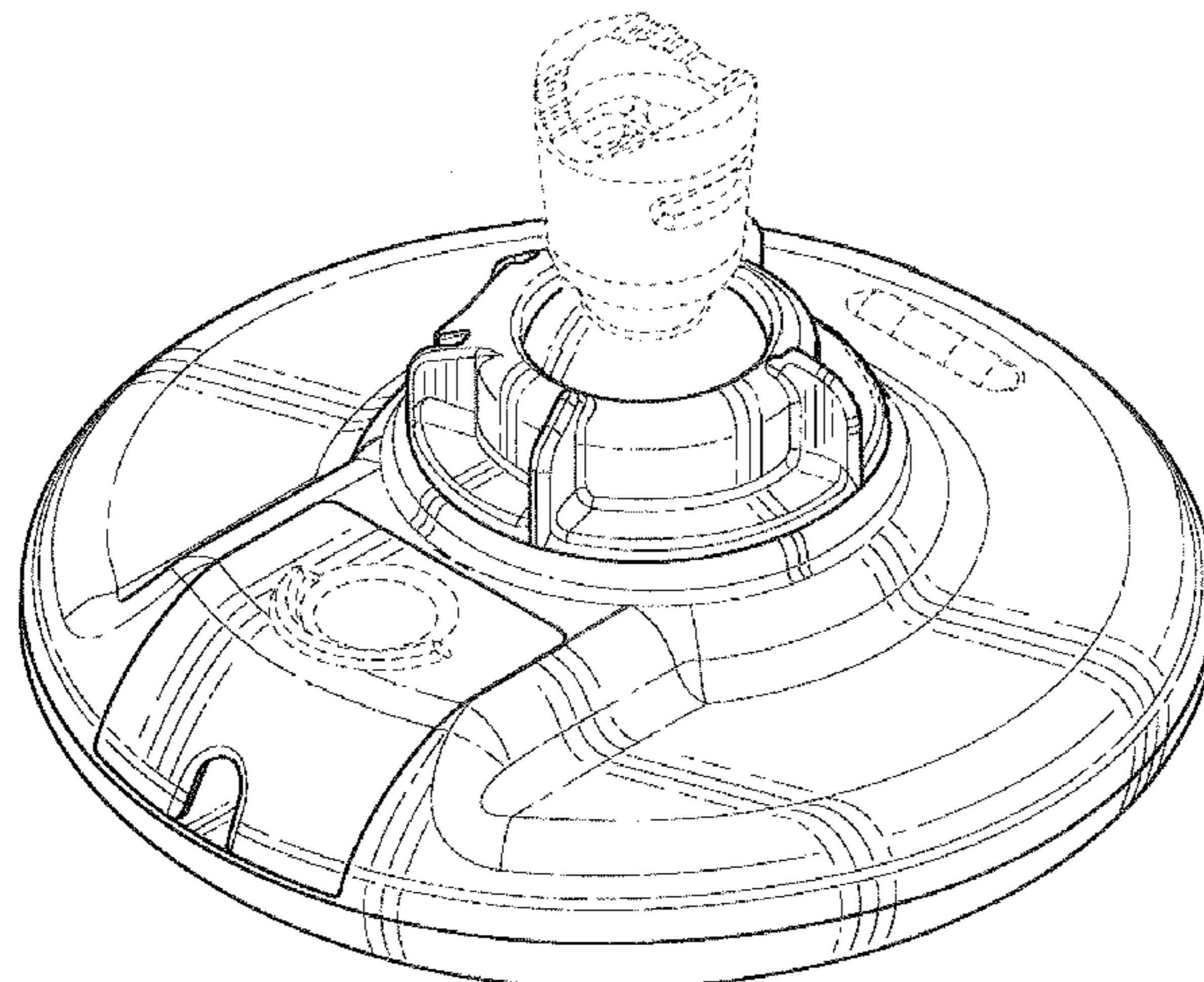
The broken lines represent portions of the wireless transmission station that form no part of the claimed design.

(56) **References Cited**

U.S. PATENT DOCUMENTS

D219,106 S * 11/1970 Greene D14/230
3,831,209 A * 8/1974 Clingman 441/136
4,081,784 A * 3/1978 Wilson et al. 367/94
D321,883 S * 11/1991 Borchardt D14/230
D327,690 S * 7/1992 Ogawa et al. D14/230
D333,470 S * 2/1993 Vong D14/230
D338,206 S * 8/1993 Sawaguchi et al.
D347,436 S * 5/1994 Tang D14/230

1 Claim, 6 Drawing Sheets



(56)

References Cited

U.S. PATENT DOCUMENTS

D387,771 S * 12/1997 Martinson et al. D14/230
 D401,593 S * 11/1998 Nishimura et al. D14/230
 D401,594 S * 11/1998 Nishimura et al. D14/230
 D414,476 S 9/1999 Hibino
 D418,039 S 12/1999 Correia
 D421,439 S * 3/2000 Giuntoli D14/230
 D454,558 S 3/2002 Song
 6,469,678 B1 10/2002 Pullen
 D478,057 S 8/2003 Cohen et al.
 D509,797 S 9/2005 Milan
 D512,372 S 12/2005 Sakai
 D518,819 S * 4/2006 Gray D14/230
 D525,231 S 7/2006 McMillen et al.
 7,297,017 B2 11/2007 Chien
 D556,753 S 12/2007 Chiu et al.
 D557,260 S * 12/2007 Westerling et al. D14/230
 D566,698 S 4/2008 Choi et al.
 D573,537 S 7/2008 Svoboda et al.
 D582,851 S 12/2008 Lavy
 D617,319 S * 6/2010 Maffetone et al. D14/230
 D624,132 S * 9/2010 Cheng D21/453
 D637,560 S 5/2011 Pera
 D687,009 S 7/2013 Song et al.
 D695,725 S * 12/2013 Taeger D14/230
 2004/0217907 A1 * 11/2004 Inoue 343/728
 2009/0128262 A1 * 5/2009 Lee et al. 333/219.1

2009/0134711 A1 * 5/2009 Issa et al. 307/104
 2011/0004090 A1 1/2011 Keightley et al.
 2011/0140983 A1 * 6/2011 Hills et al. 343/872
 2013/0207868 A1 * 8/2013 Venghaus et al. 343/840
 2013/0271337 A1 10/2013 Lee et al.
 2014/0227985 A1 * 8/2014 Sanford 455/90.3
 2015/0023517 A1 * 1/2015 Mizrahi 381/74

FOREIGN PATENT DOCUMENTS

CN 301245987 * 6/2010
 CN 301678888 * 9/2011
 JP D1063757 * 3/2000

OTHER PUBLICATIONS

Check out how small this u-blox GPS receiver is! |CoolRC, article date Sep. 8, 2013, online, site visited Apr. 25, 2015, <https://coolrc.wordpress.com/2013/09/08/check-out-how-small-this-u-blox-gps-receiver-is/>.*

Marine Electronics, TV antennas for boats—goolge publish date May 5, 2013, online, <http://www.nauticexpo.com/cat/marine-electronics/tv-antennas-boats-WA-1560.html>, [site visited Apr. 25, 2015 6:05:25 PM].*

Huerta et al.; Design U.S. Appl. No. 29/445,275 entitled “Wireless Transmission Station,” filed Feb. 8, 2013.

* cited by examiner

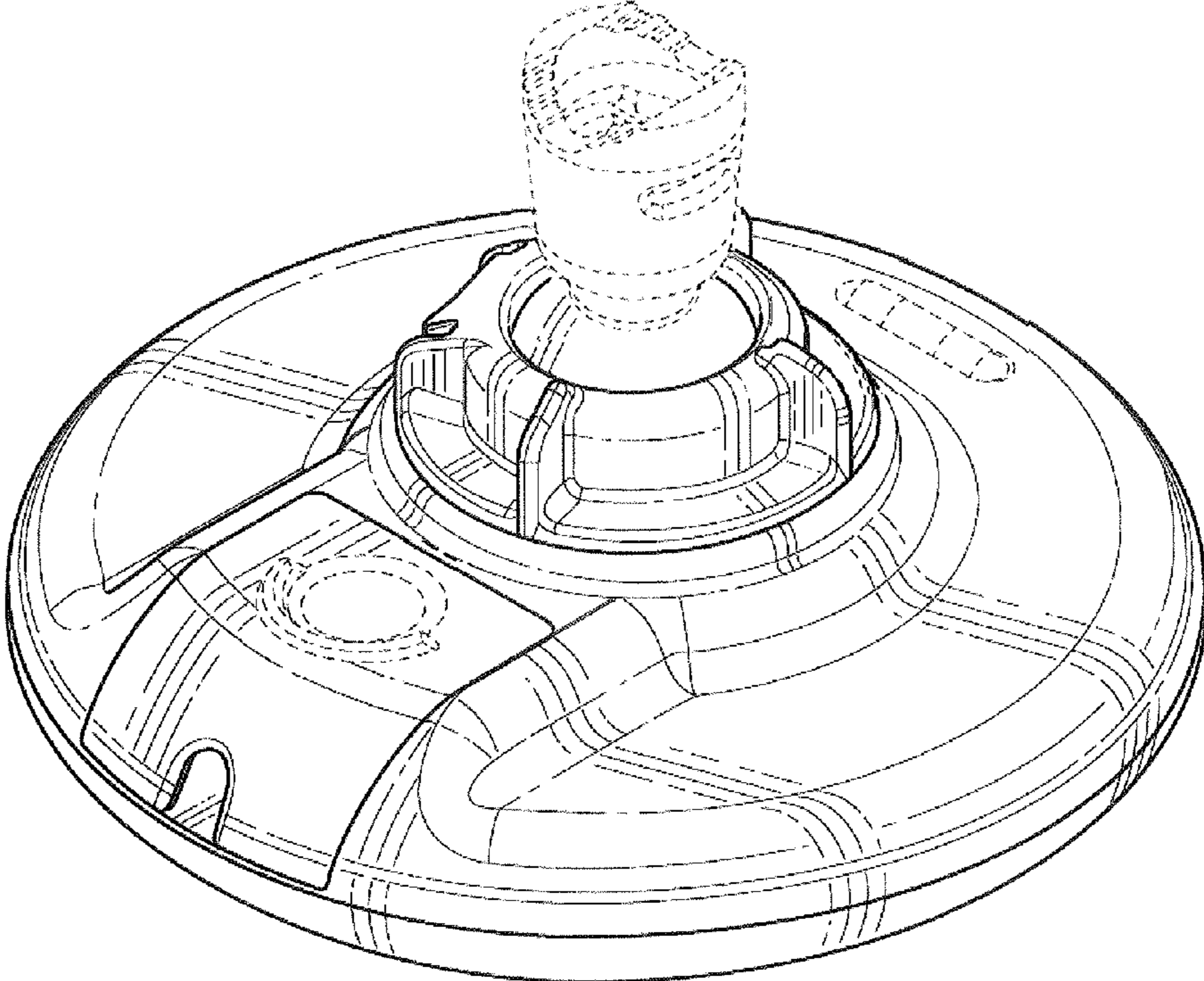


FIG. 1

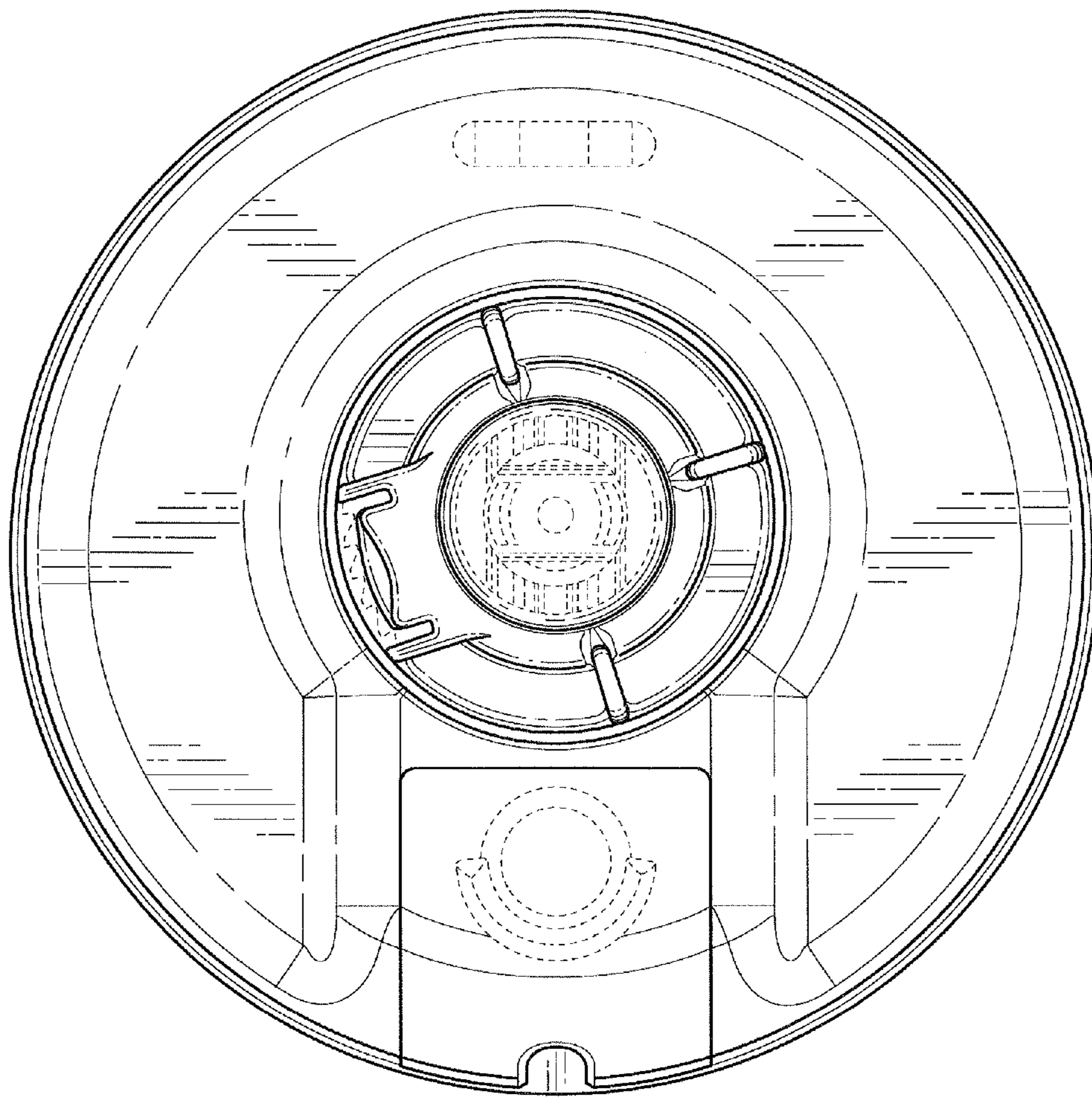


FIG. 2

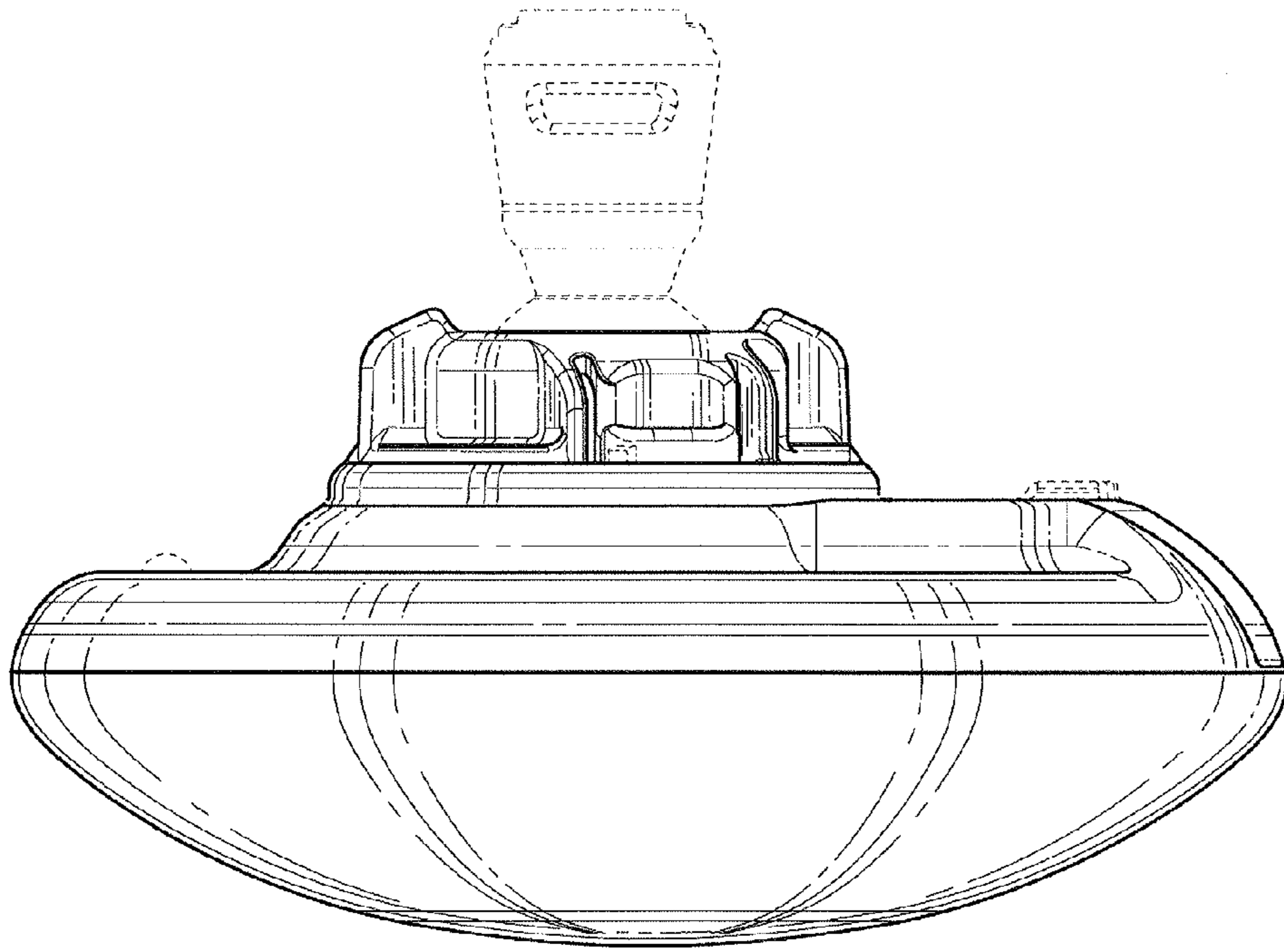


FIG. 3

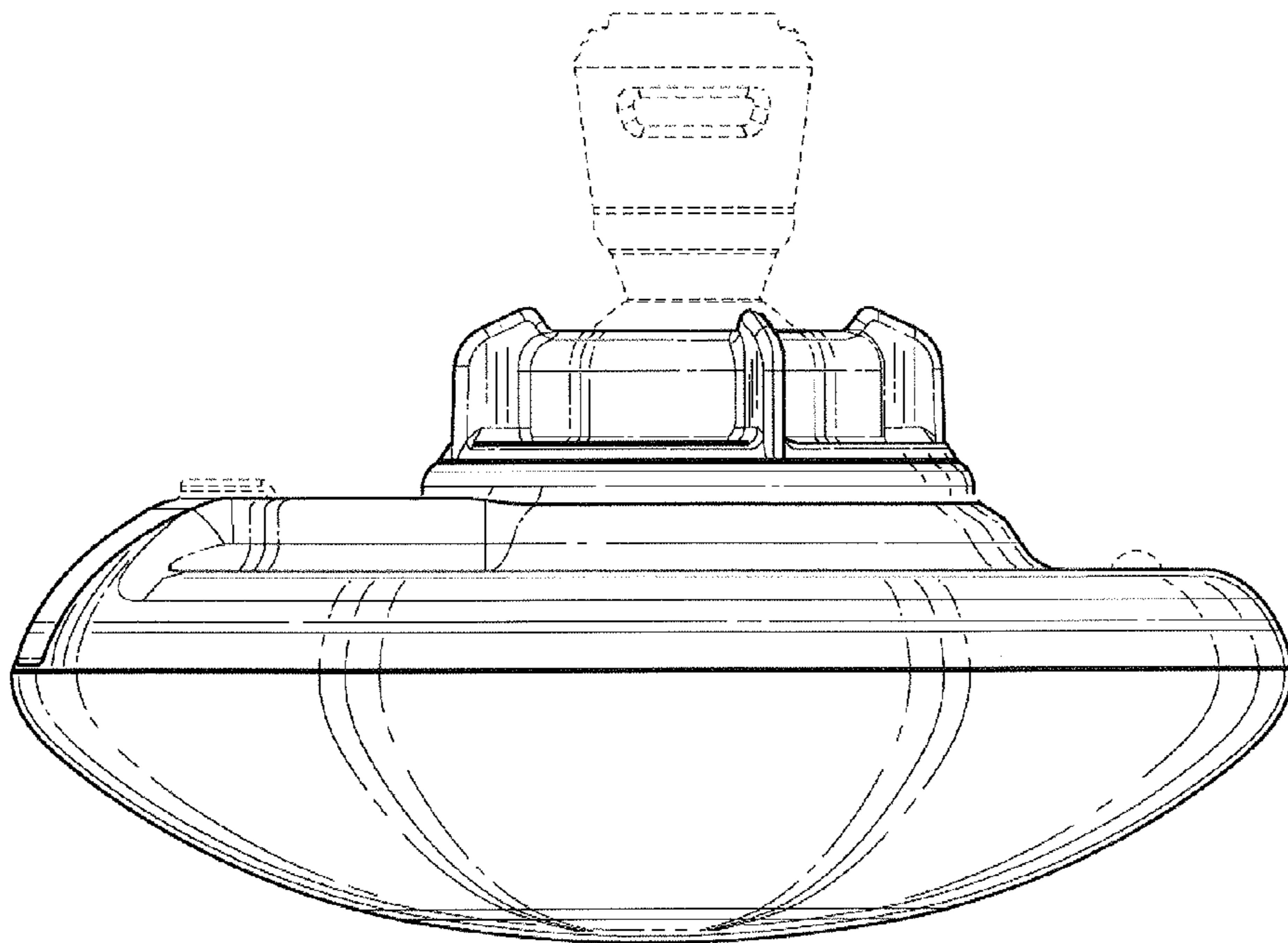


FIG. 4

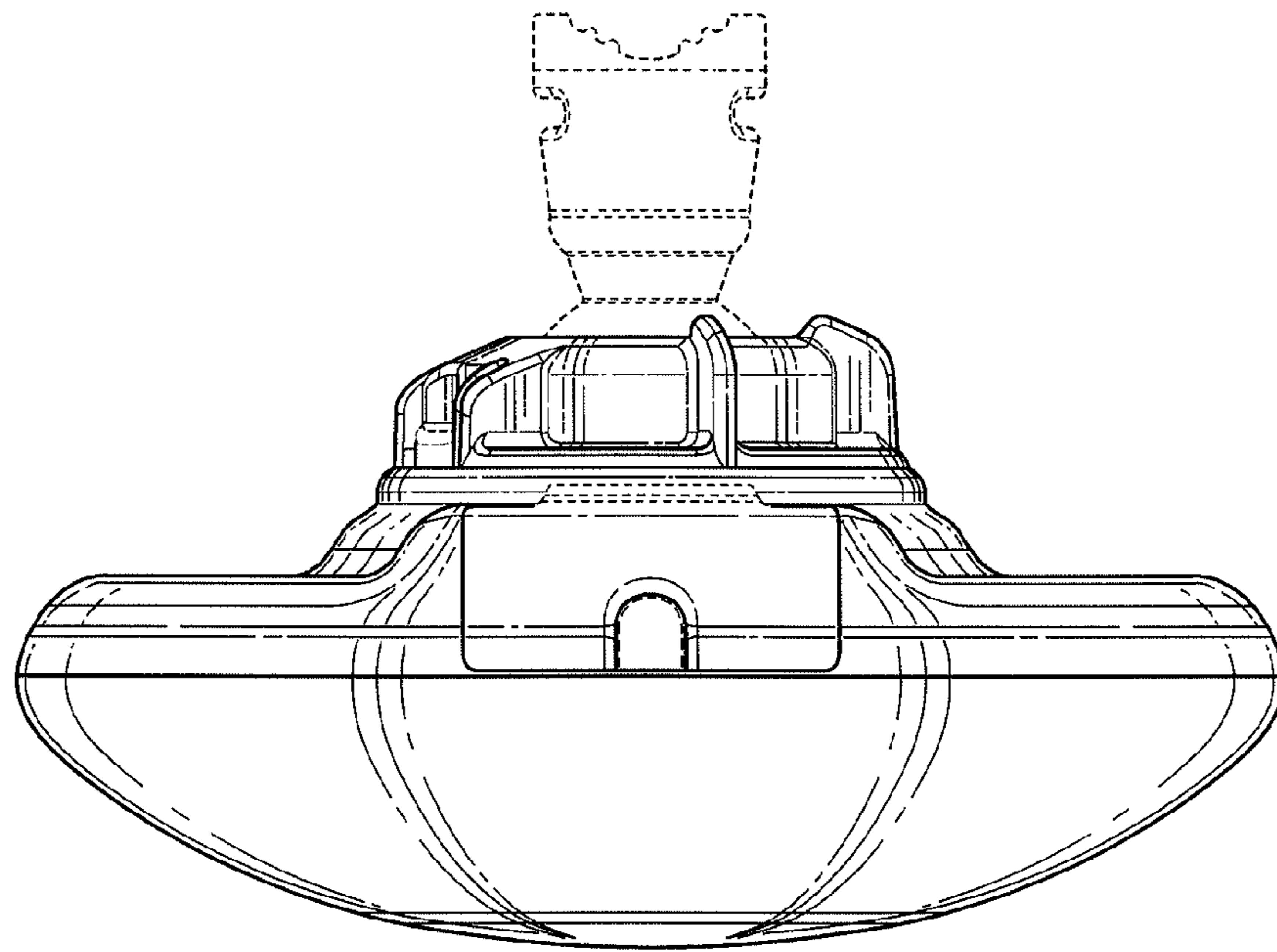


FIG. 5

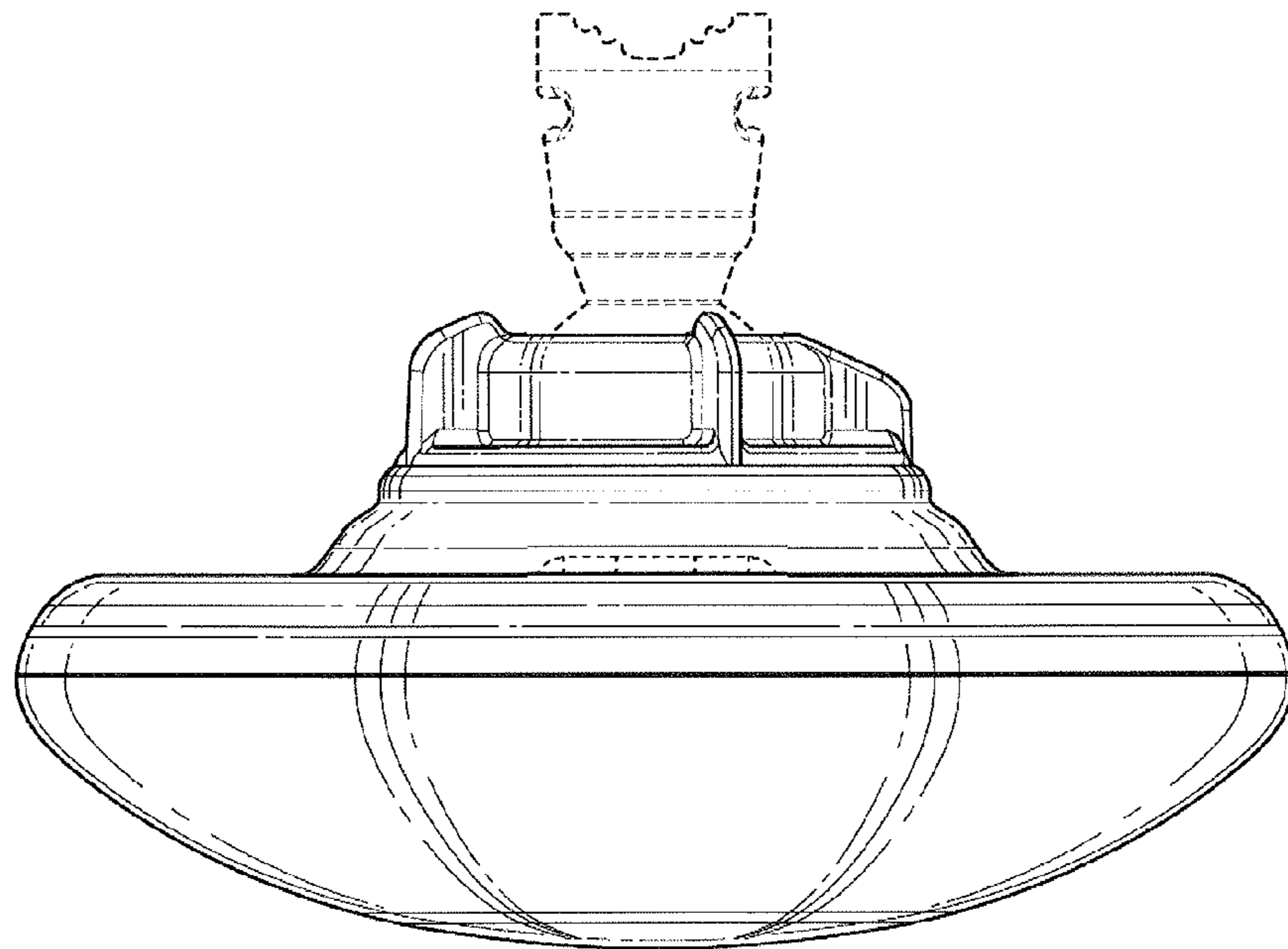


FIG. 6

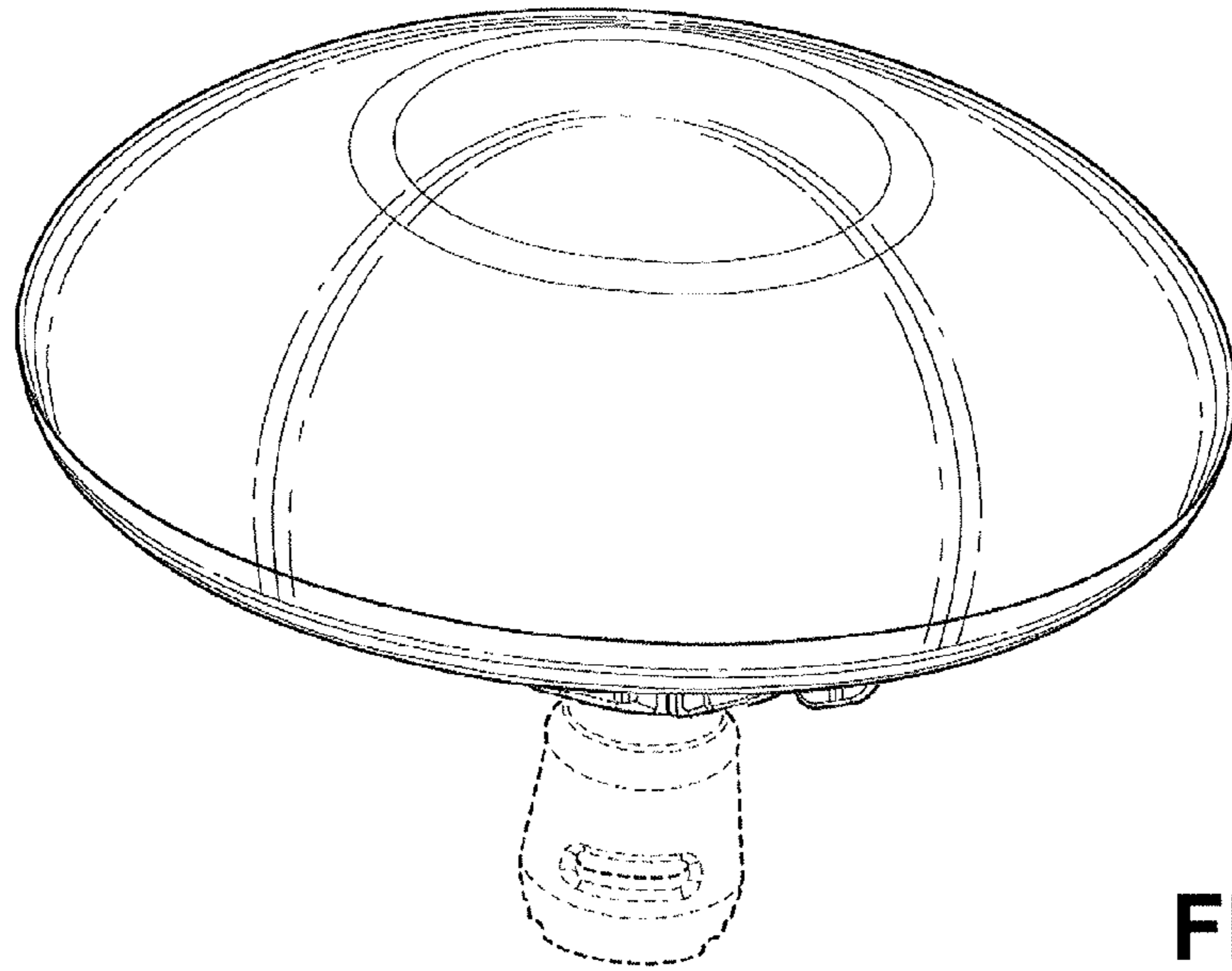


FIG. 7

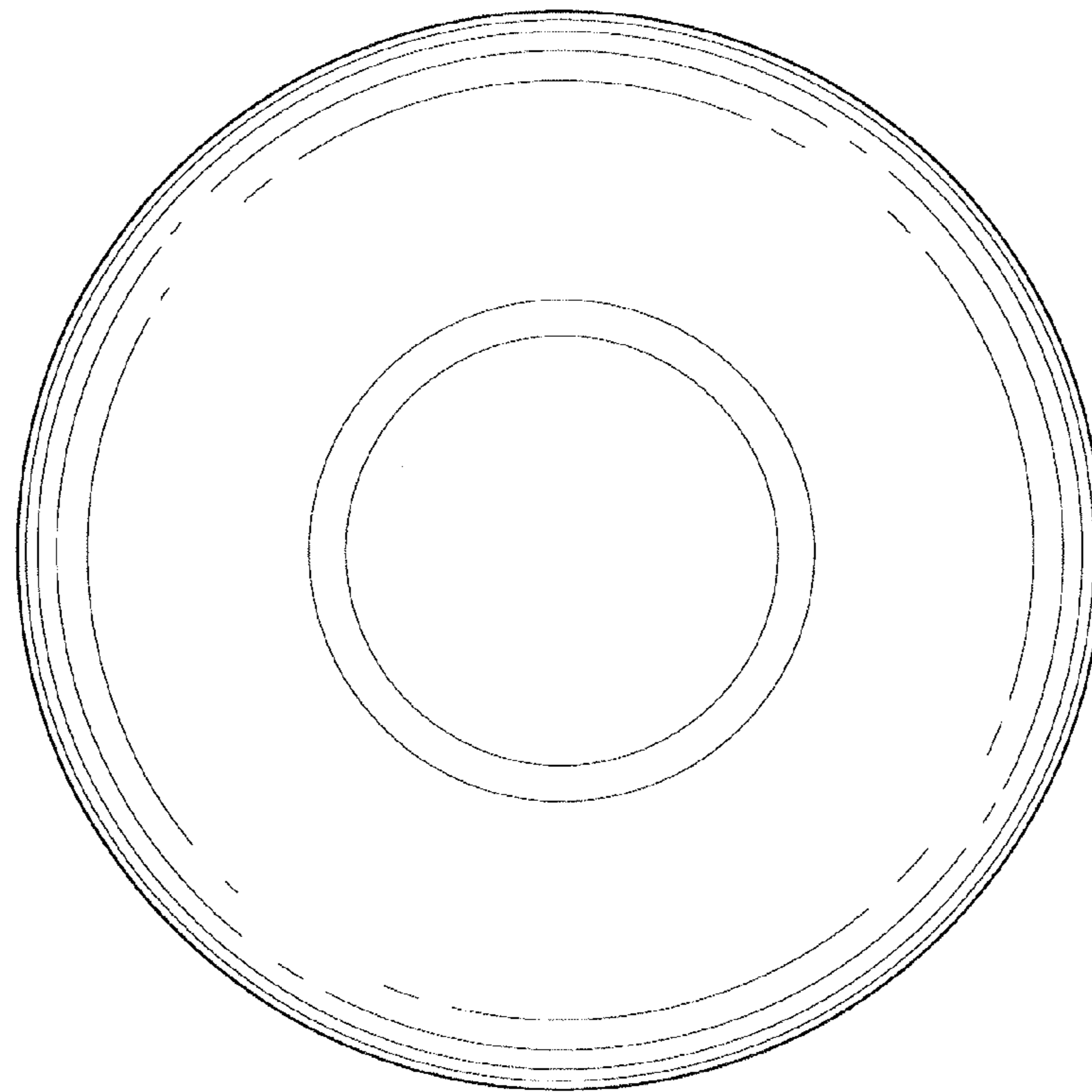


FIG. 8