



US00D744981S

(12) **United States Design Patent**
Choi

(10) **Patent No.:** **US D744,981 S**

(45) **Date of Patent:** **** Dec. 8, 2015**

(54) **AUDIO COMPONENT**

(56) **References Cited**

(71) Applicant: **Samsung Electronics Co., Ltd.**,
Suwon-si (KR)

U.S. PATENT DOCUMENTS

(72) Inventor: **Gyoo-Sang Choi**, Suwon-si (KR)

4,221,929	A *	9/1980	Fukuda	381/386
5,000,286	A *	3/1991	Crawford et al.	181/145
D450,683	S *	11/2001	Vosse	D14/221
6,411,720	B1 *	6/2002	Pritchard	381/348
D544,466	S *	6/2007	Pincek et al.	D14/214
D574,362	S *	8/2008	Zhong	D14/214
D585,051	S *	1/2009	Marchand et al.	D14/214
D592,183	S *	5/2009	Hernandez et al.	D14/214
D618,214	S *	6/2010	Wang et al.	D14/209.1
D659,119	S *	5/2012	Brunner et al.	D14/209.1
8,428,290	B2 *	4/2013	Cheng	381/386
D729,770	S *	5/2015	Yoo et al.	D14/214
D730,318	S *	5/2015	Park et al.	D14/214

(73) Assignee: **Samsung Electronics Co., Ltd.**,
Suwon-si (KR)

(**) Term: **14 Years**

(21) Appl. No.: **29/495,012**

(22) Filed: **Jun. 26, 2014**

* cited by examiner

(30) **Foreign Application Priority Data**

Primary Examiner — Prabhakar Deshmukh

Jan. 2, 2014 (KR) 30-2014-0000247

(74) *Attorney, Agent, or Firm* — NSIP Law

(51) **LOC (10) Cl.** **14-01**

(57) **CLAIM**

I claim the ornamental design for an audio component, as shown and described.

(52) **U.S. Cl.**

USPC **D14/209.1**; D14/221

DESCRIPTION

(58) **Field of Classification Search**

USPC D24/204, 209.1, 211, 217, 221, 224,
D24/224.1, 225, 227, 228; 181/143, 147,
181/148, 150, 153, 157, 198, 199, 166,
181/144; 381/300–303, 306, 332, 333, 336,
381/345, 361–364, 370, 386–388

FIG. 1 is a front perspective view of an audio component showing my new design;
FIG. 2 is a front view thereof;
FIG. 3 is a rear view thereof;
FIG. 4 is a left-side view thereof;
FIG. 5 is a right-side view thereof;
FIG. 6 is a top view thereof; and
FIG. 7 is a bottom view thereof.

CPC H04R 9/06; H04R 1/24; H04R 11/02;
H04R 2400/00

The broken lines in the figures show portions of the audio component which form no part of the claimed design.

See application file for complete search history.

1 Claim, 7 Drawing Sheets

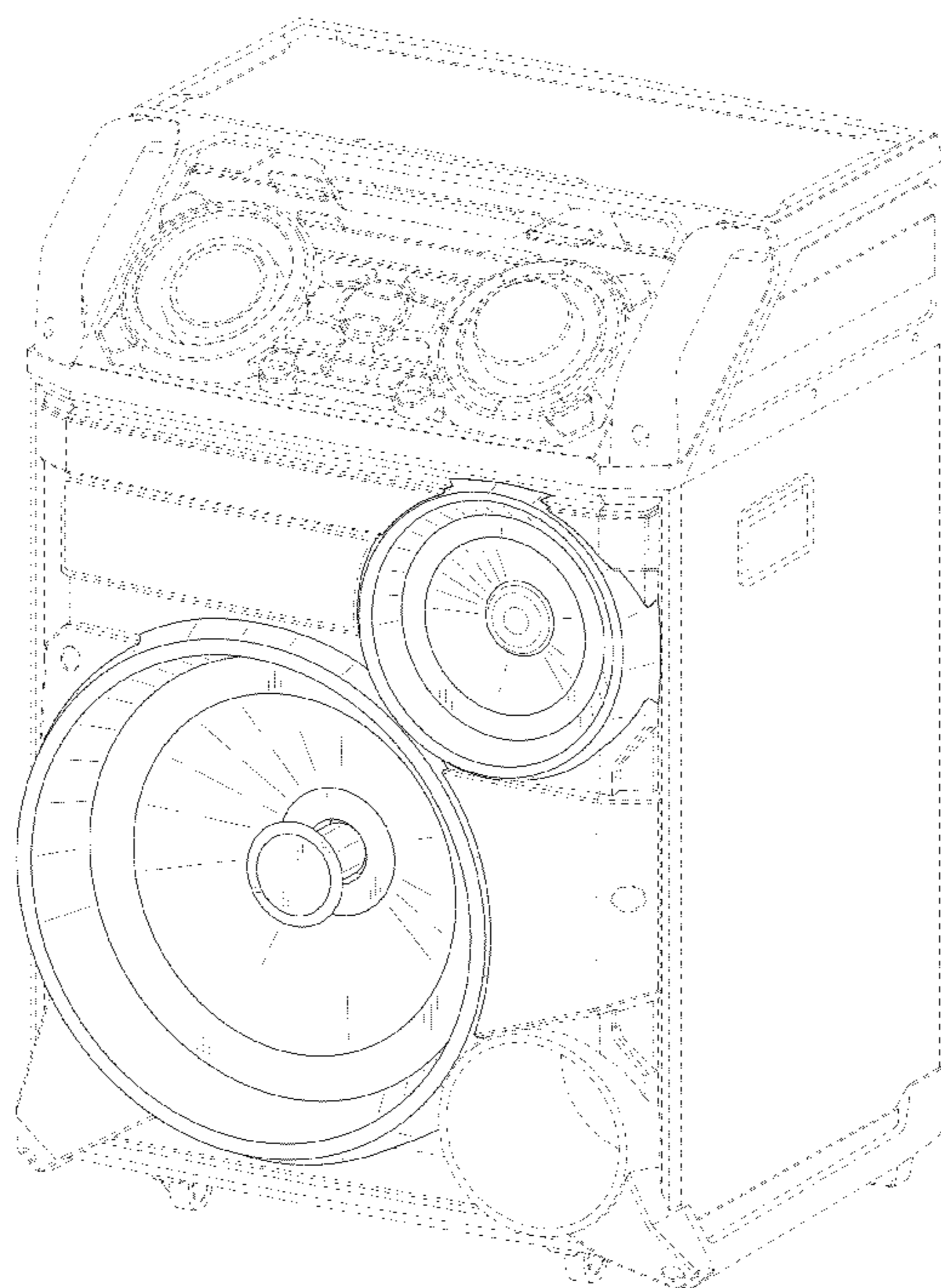


FIG. 1

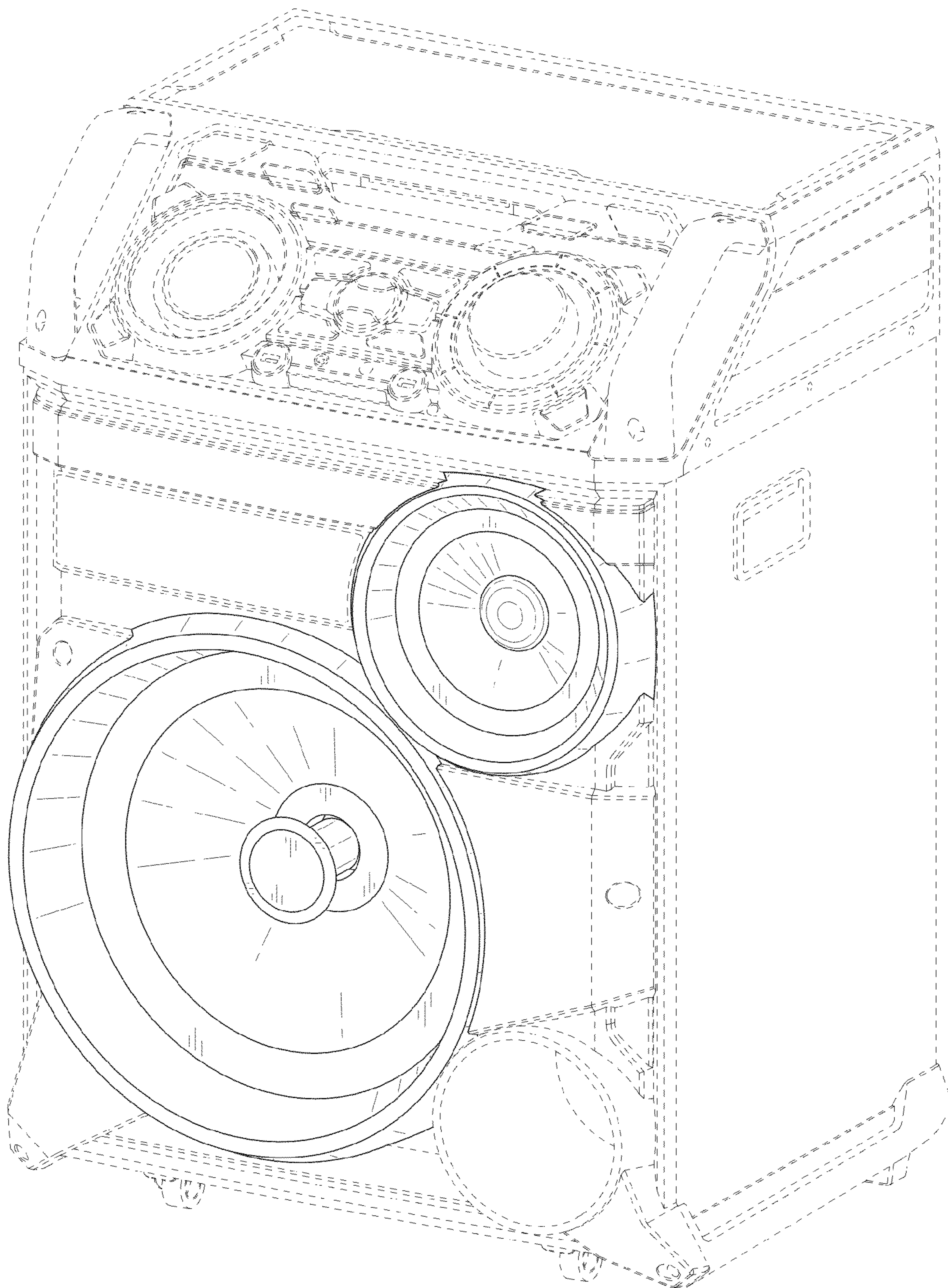


FIG. 2

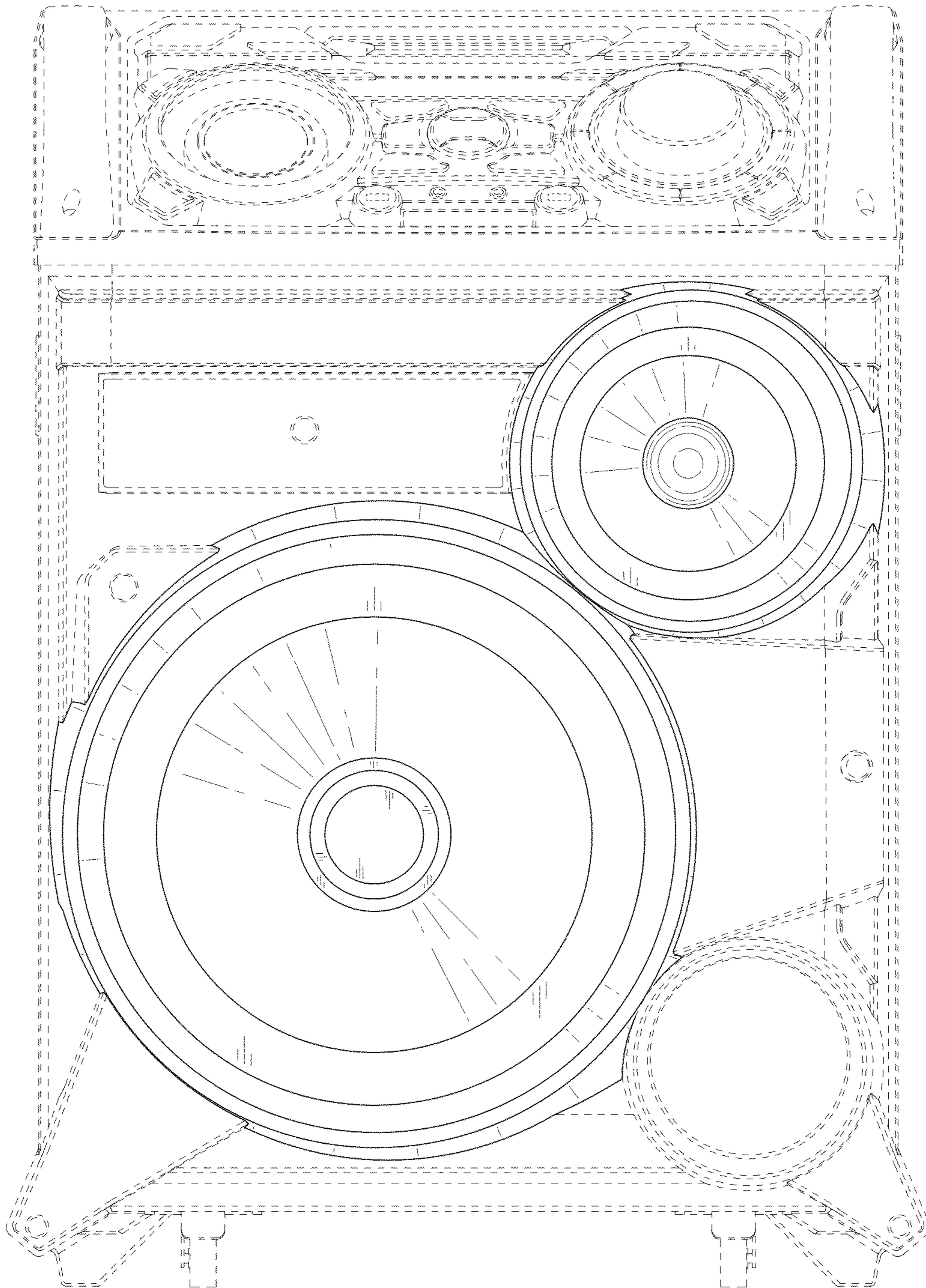


FIG. 3

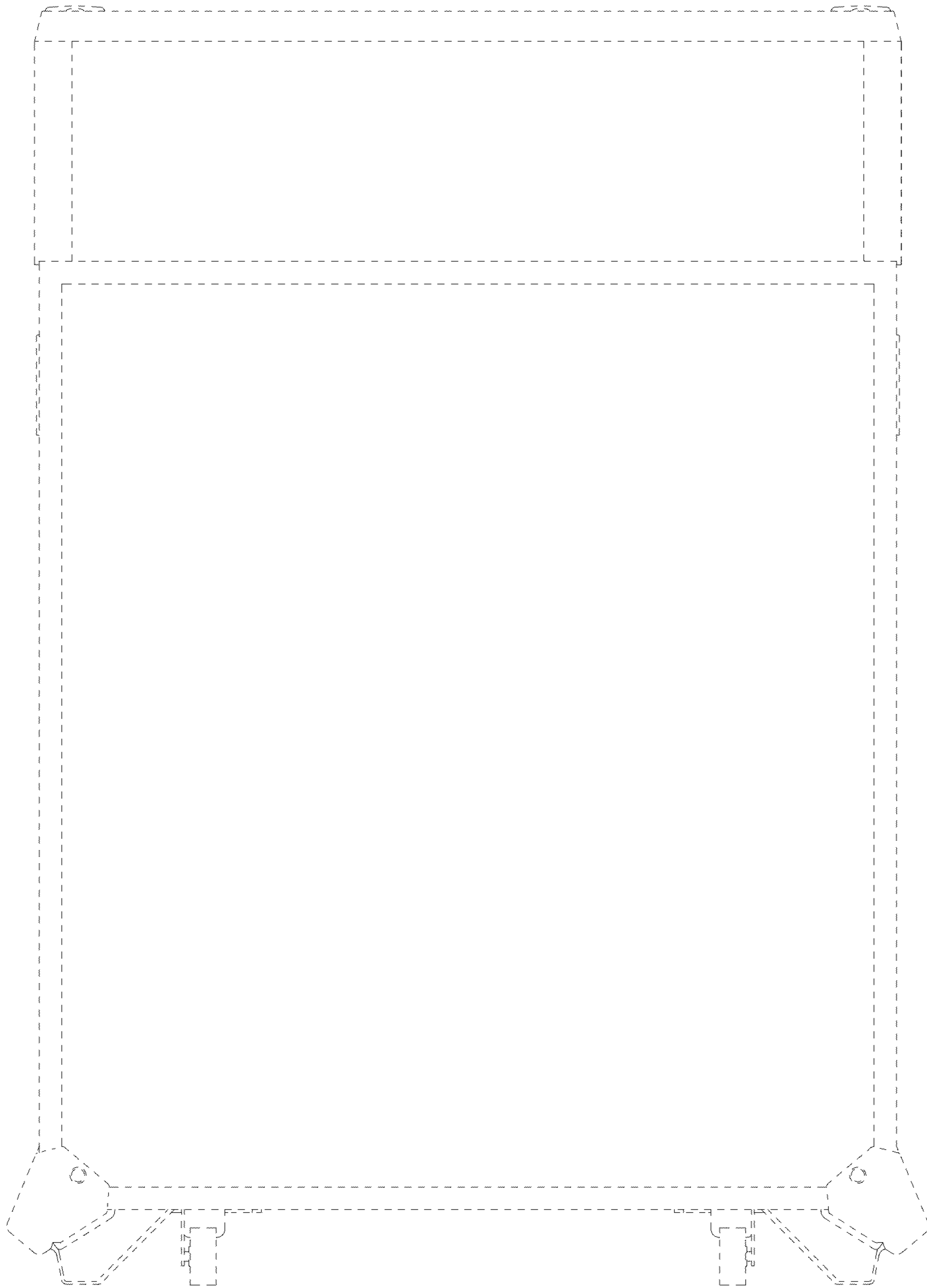


FIG. 4

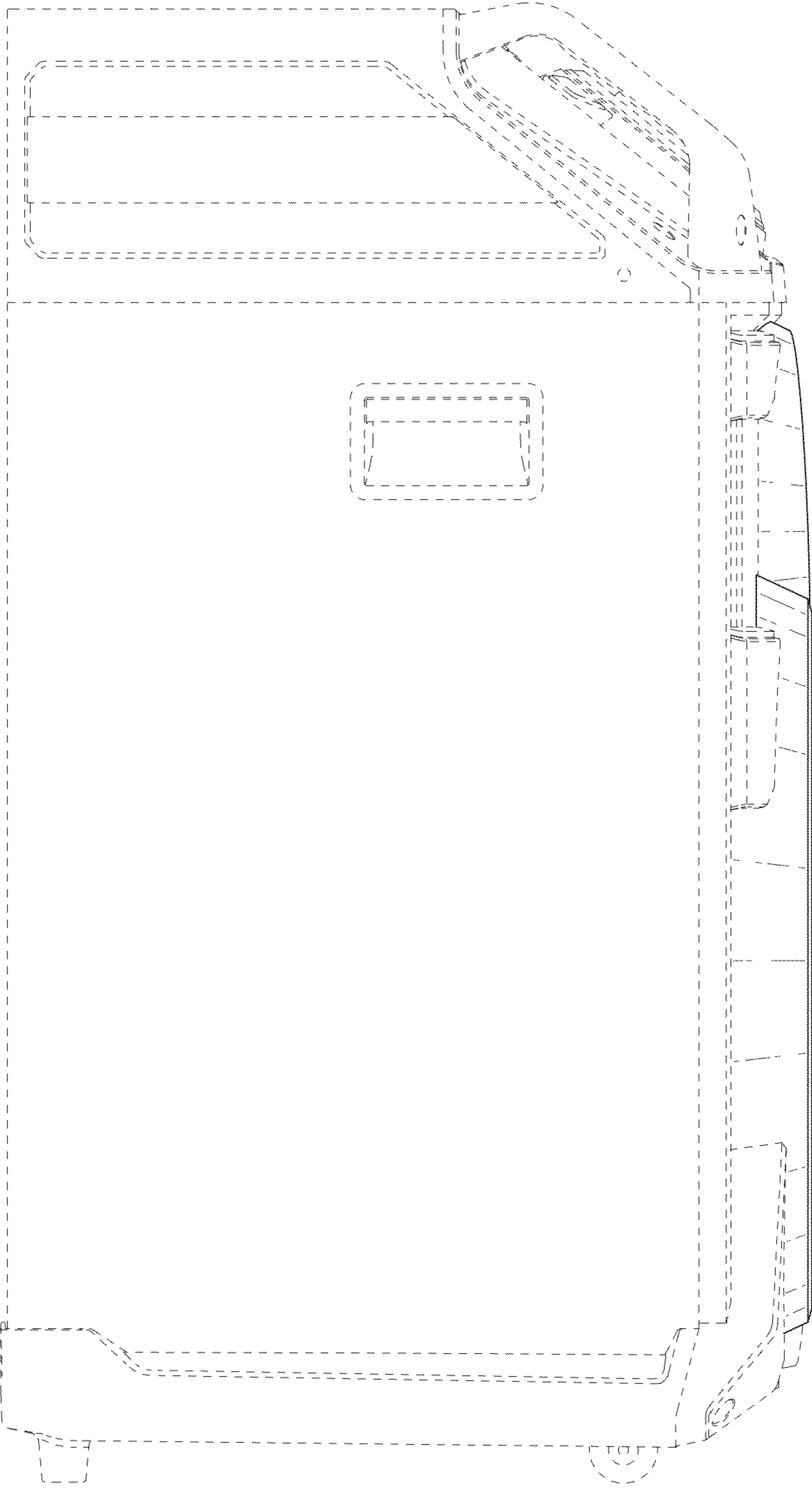


FIG. 5

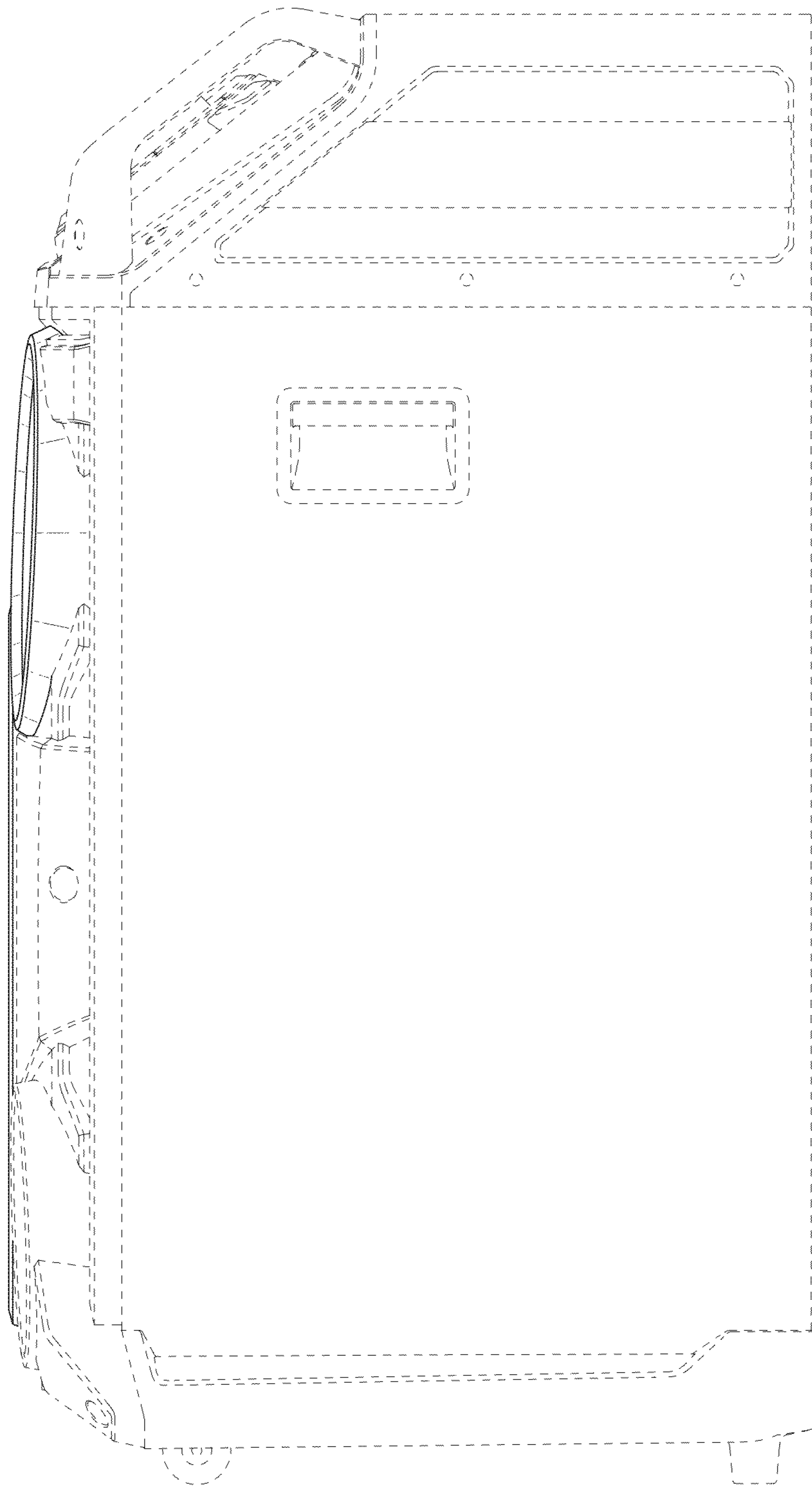


FIG. 6

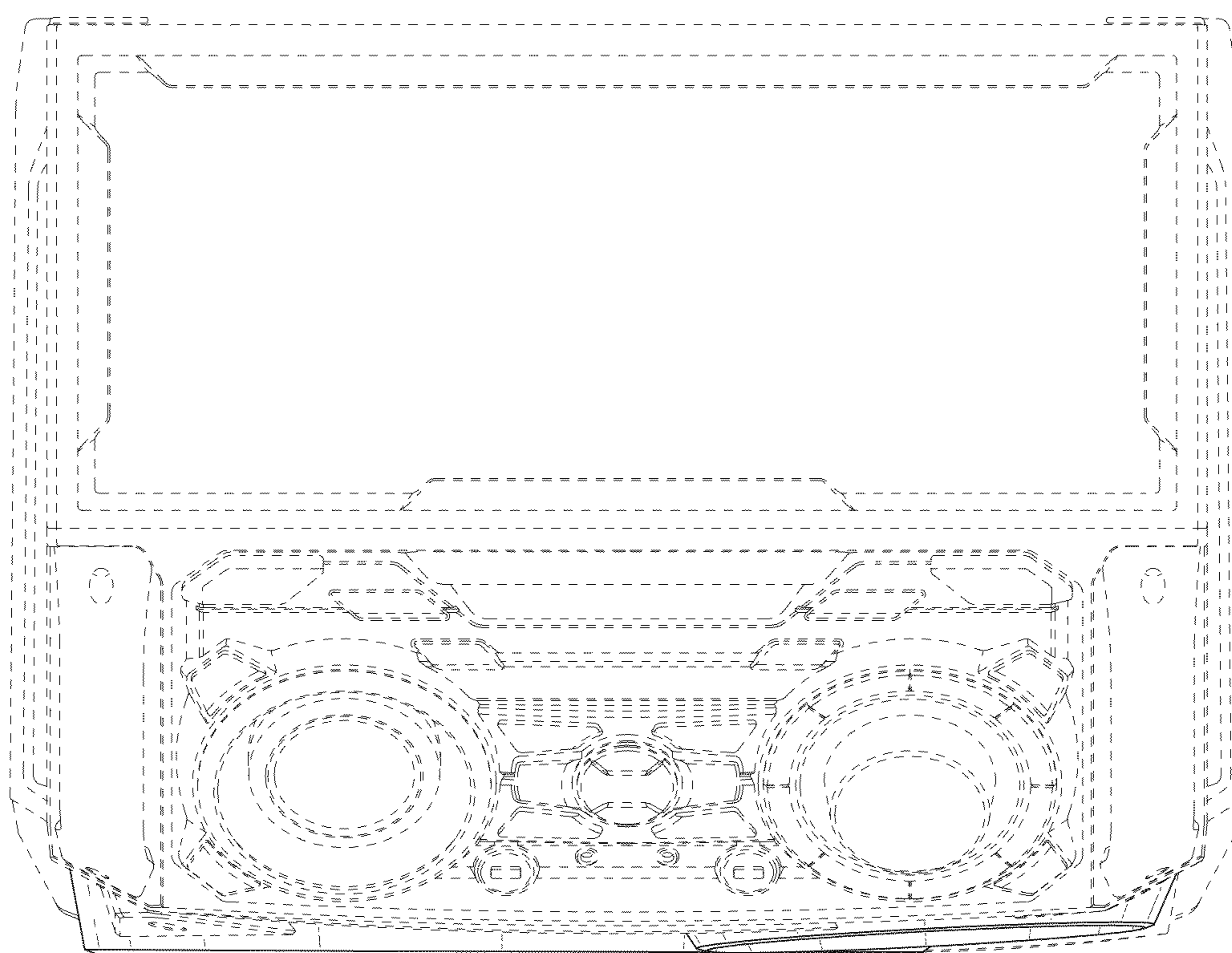


FIG. 7

