



US00D744980S

(12) **United States Design Patent**  
**Choi**

(10) **Patent No.:** **US D744,980 S**

(45) **Date of Patent:** **\*\* Dec. 8, 2015**

(54) **AUDIO COMPONENT**

(56) **References Cited**

(71) Applicant: **Samsung Electronics Co., Ltd.**,  
Suwon-si (KR)

U.S. PATENT DOCUMENTS

(72) Inventor: **Gyoo-Sang Choi**, Suwon-si (KR)

4,221,929	A *	9/1980	Fukuda	381/386
5,000,286	A *	3/1991	Crawford et al.	181/145
6,035,962	A *	3/2000	Lin	181/199
6,411,720	B1 *	6/2002	Pritchard	381/348
D461,464	S *	8/2002	Sterns et al.	D14/214
6,978,030	B2 *	12/2005	Reich	381/124
D523,000	S *	6/2006	Bronson, III	D14/215
D531,166	S *	10/2006	Baird	D14/207
D618,214	S *	6/2010	Wang et al.	D14/209.1
D711,855	S *	8/2014	Shin et al.	D14/221
D729,770	S *	5/2015	Yoo et al.	D14/214

(73) Assignee: **Samsung Electronics Co., Ltd.**,  
Suwon-si (KR)

(\*\*) Term: **14 Years**

\* cited by examiner

(21) Appl. No.: **29/495,008**

(22) Filed: **Jun. 26, 2014**

*Primary Examiner* — Prabhakar Deshmukh

(74) *Attorney, Agent, or Firm* — NSIP Law

(30) **Foreign Application Priority Data**

(57) **CLAIM**

Jan. 2, 2014 (KR) ..... 30-2014-0000245

I claim the ornamental design for an audio component, as shown and described.

(51) **LOC (10) Cl.** ..... **14-01**

**DESCRIPTION**

(52) **U.S. Cl.**

USPC ..... **D14/209.1**; D14/221

FIG. 1 is a front perspective view of an audio component showing my new design;

FIG. 2 is a front view thereof;

FIG. 3 is a rear view thereof;

FIG. 4 is a left-side view thereof;

FIG. 5 is a right-side view thereof;

FIG. 6 is a top view thereof; and,

FIG. 7 is a bottom view thereof.

The broken lines in the figures showing of portions of the audio component form no part of the claimed design.

(58) **Field of Classification Search**

USPC ..... D24/204, 209.1, 211, 217, 221, 224,  
D24/224.1, 225, 227, 228; 181/143, 147,  
181/148, 150, 153, 157, 198, 199, 166,  
181/144; 381/300–303, 306, 332, 333, 336,  
381/345, 361–364, 370, 386–388

CPC ..... H04R 9/06; H04R 1/24; H04R 11/02;  
H04R 2400/00

See application file for complete search history.

**1 Claim, 7 Drawing Sheets**

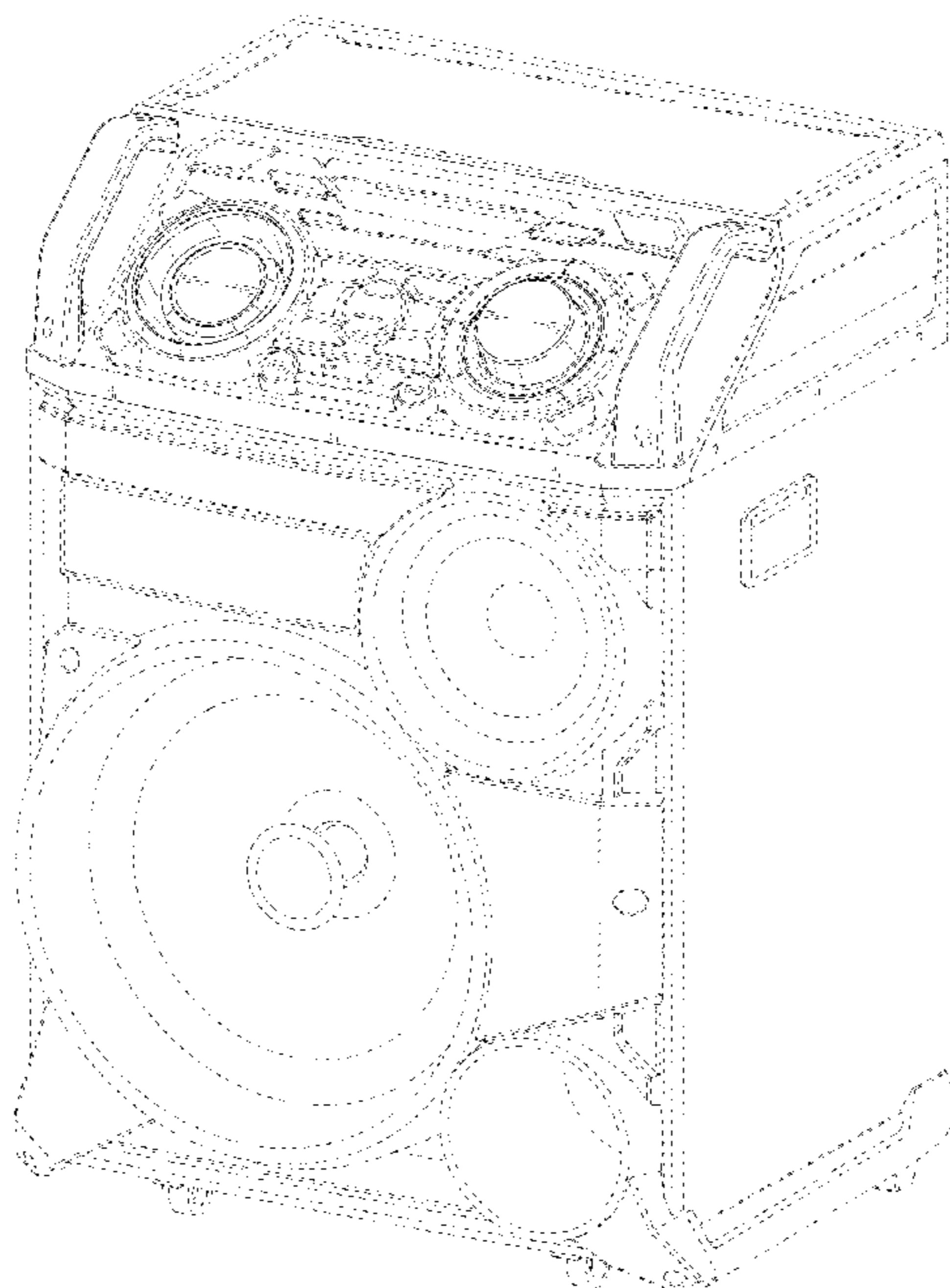


FIG. 1

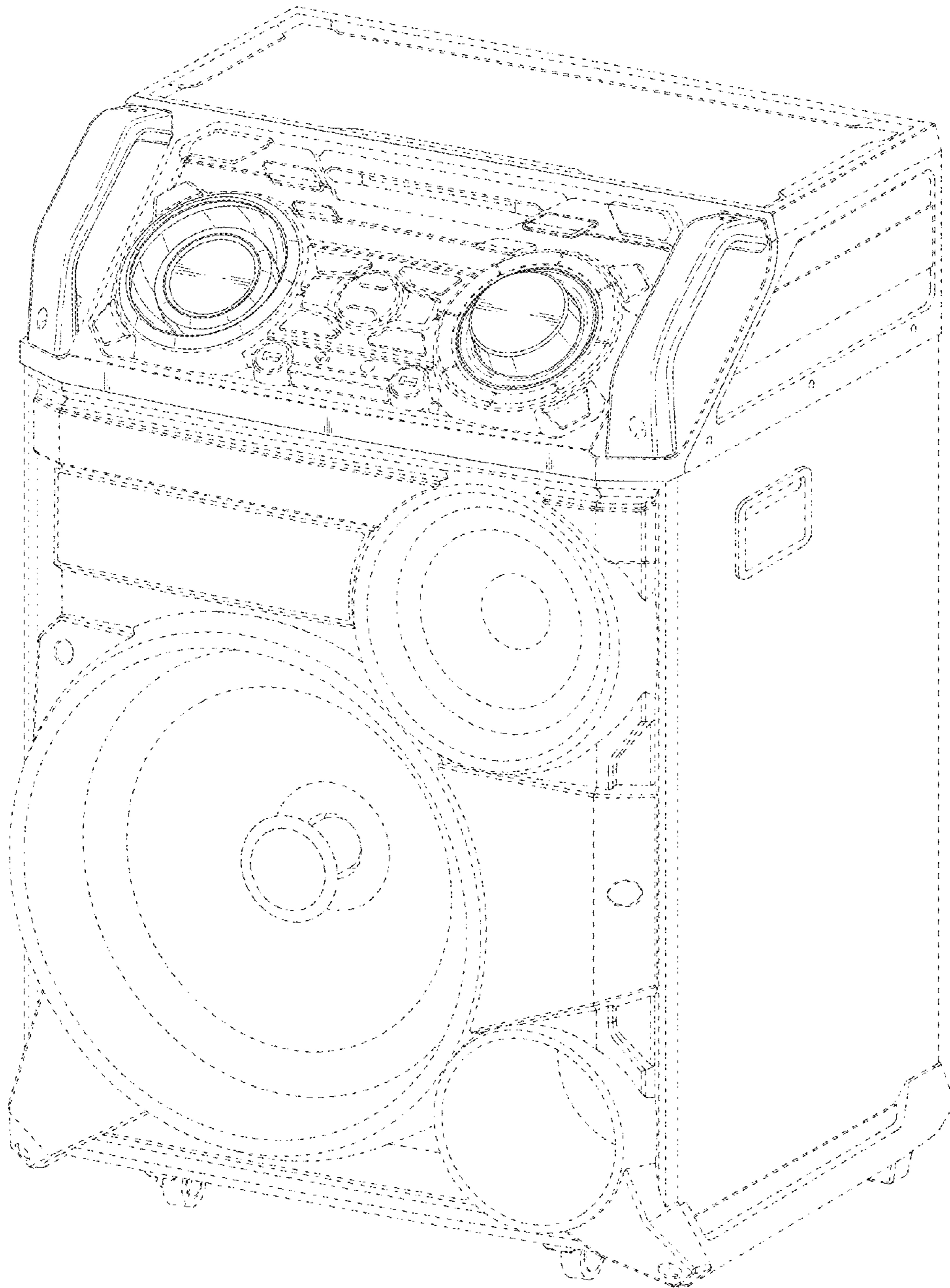


FIG. 2

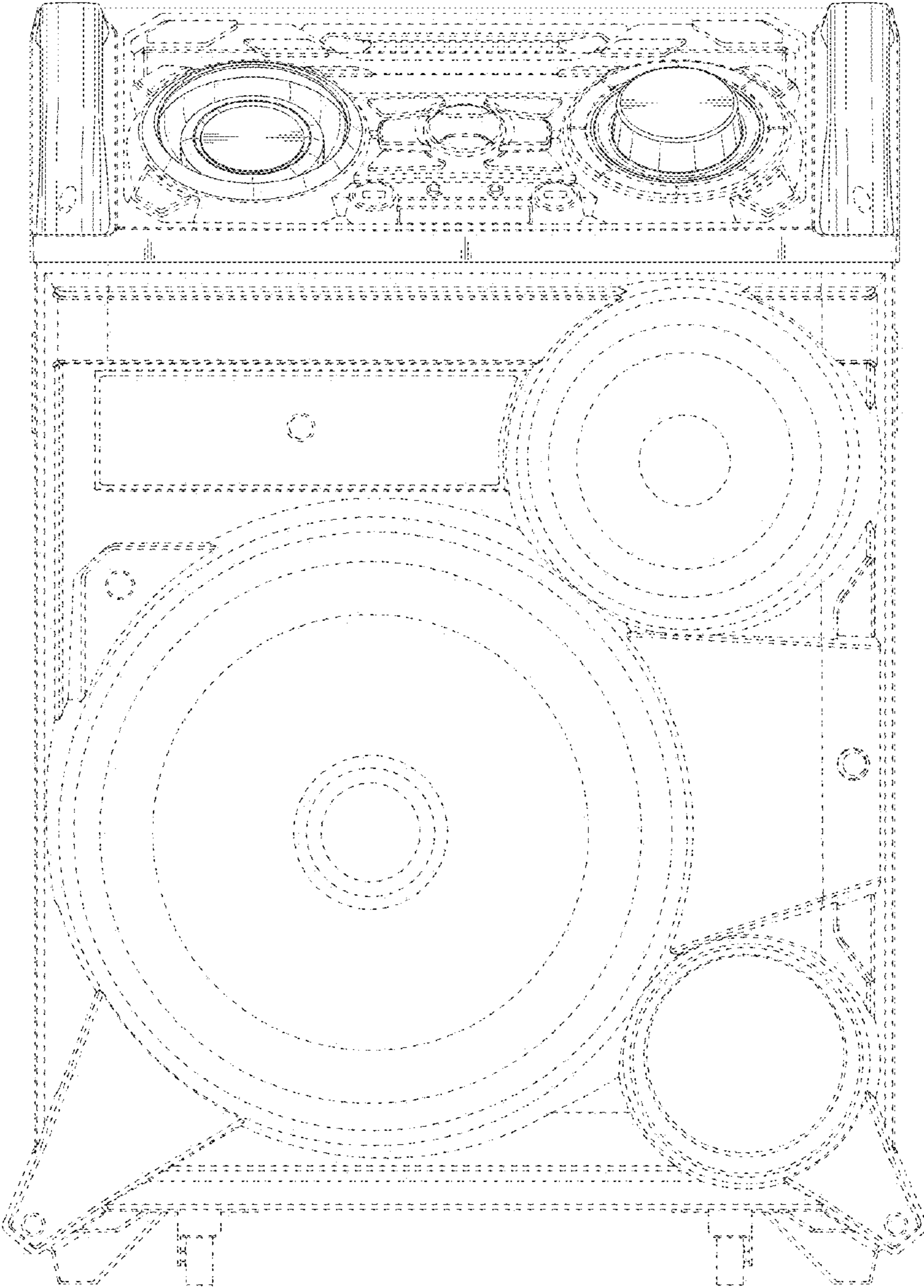


FIG. 3

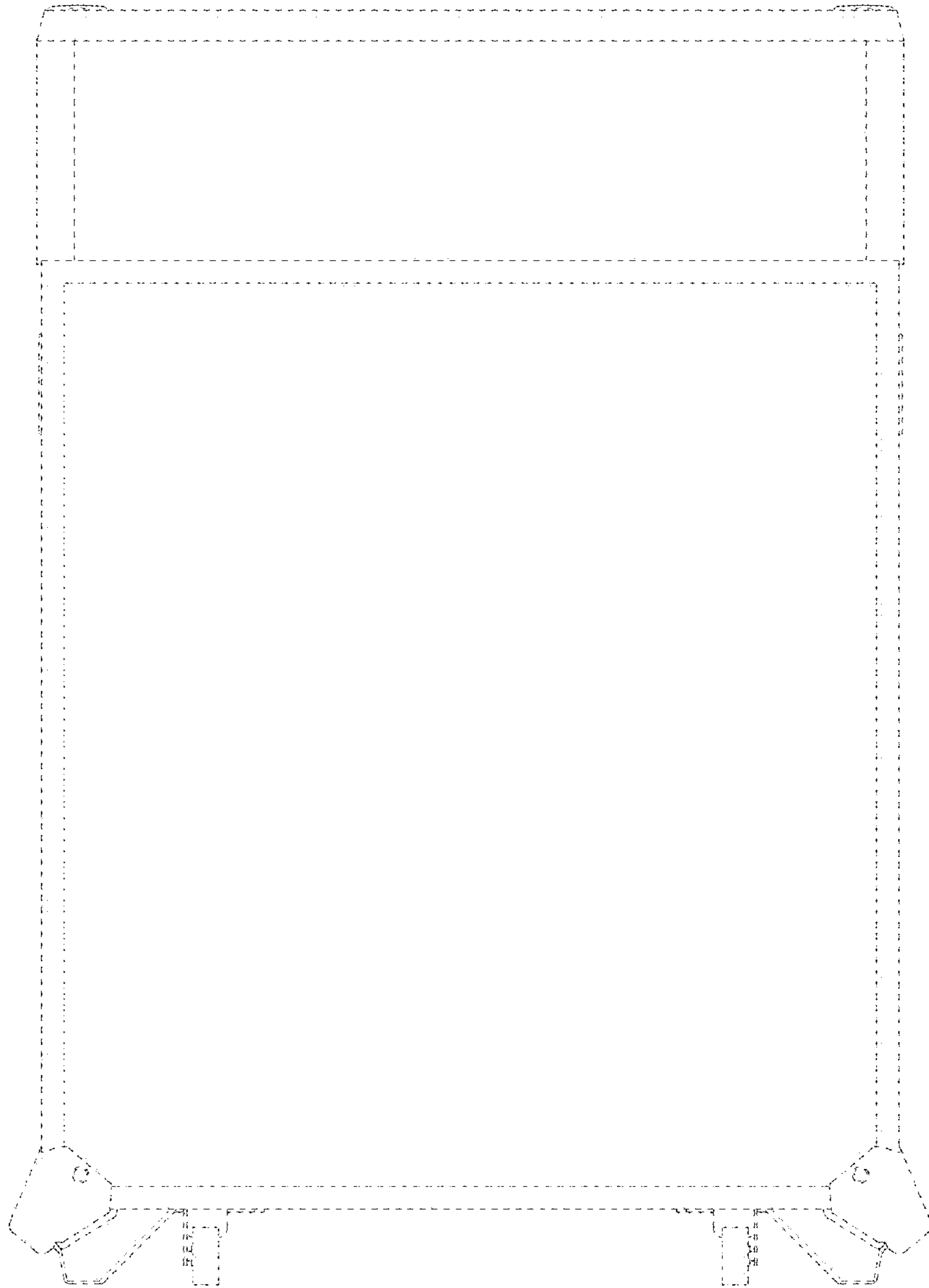


FIG. 4

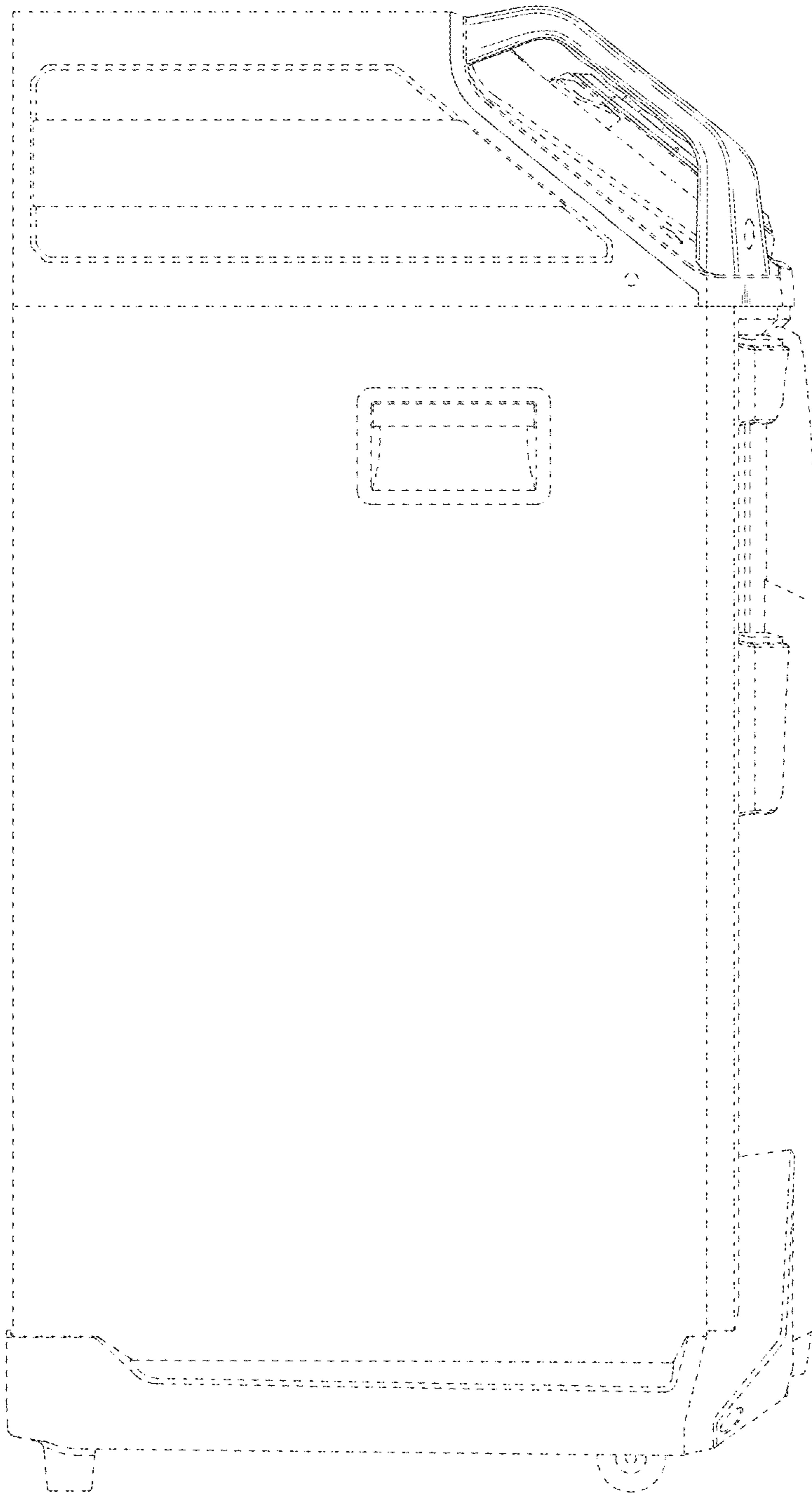


FIG. 5

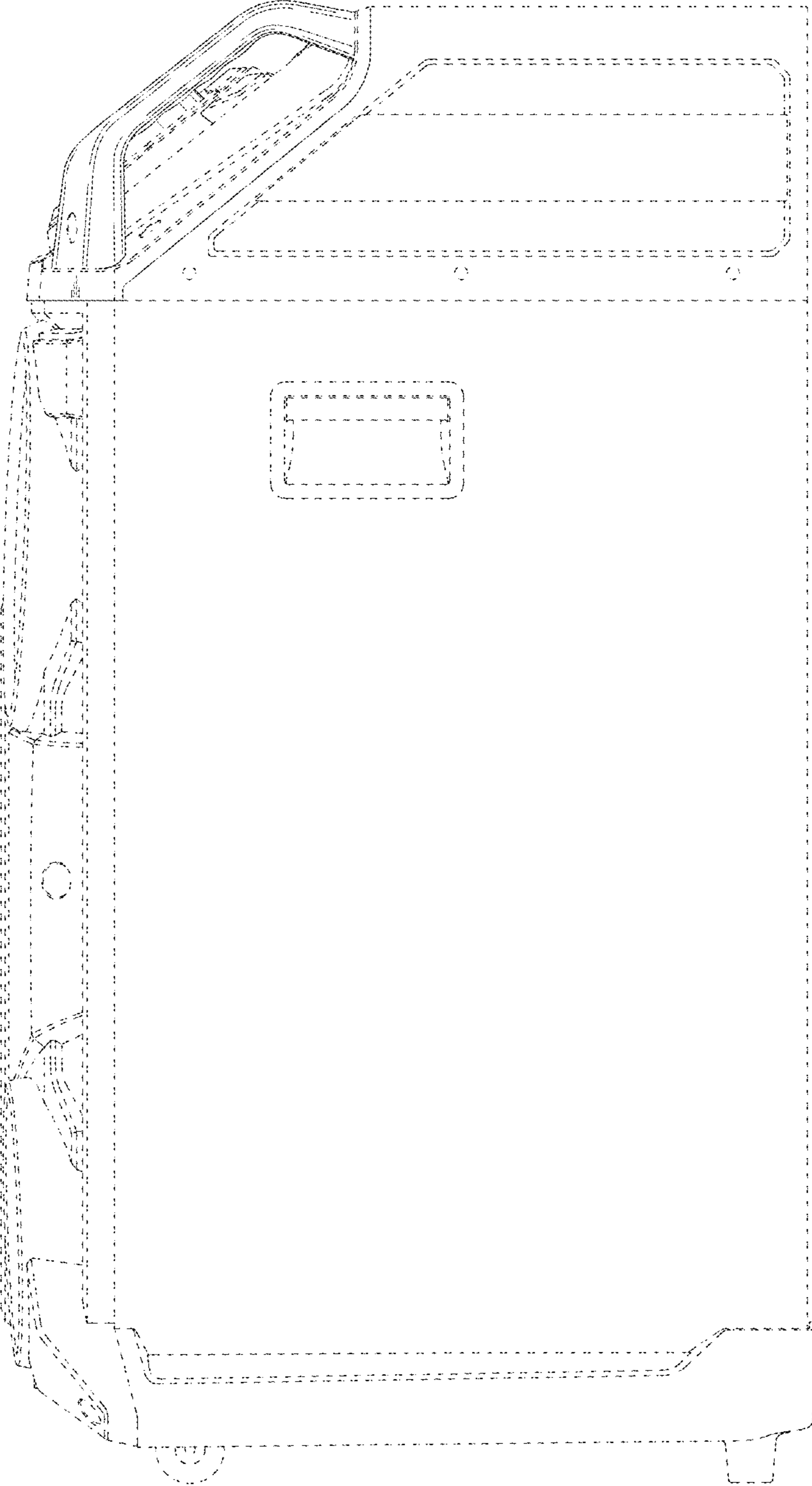


FIG. 6

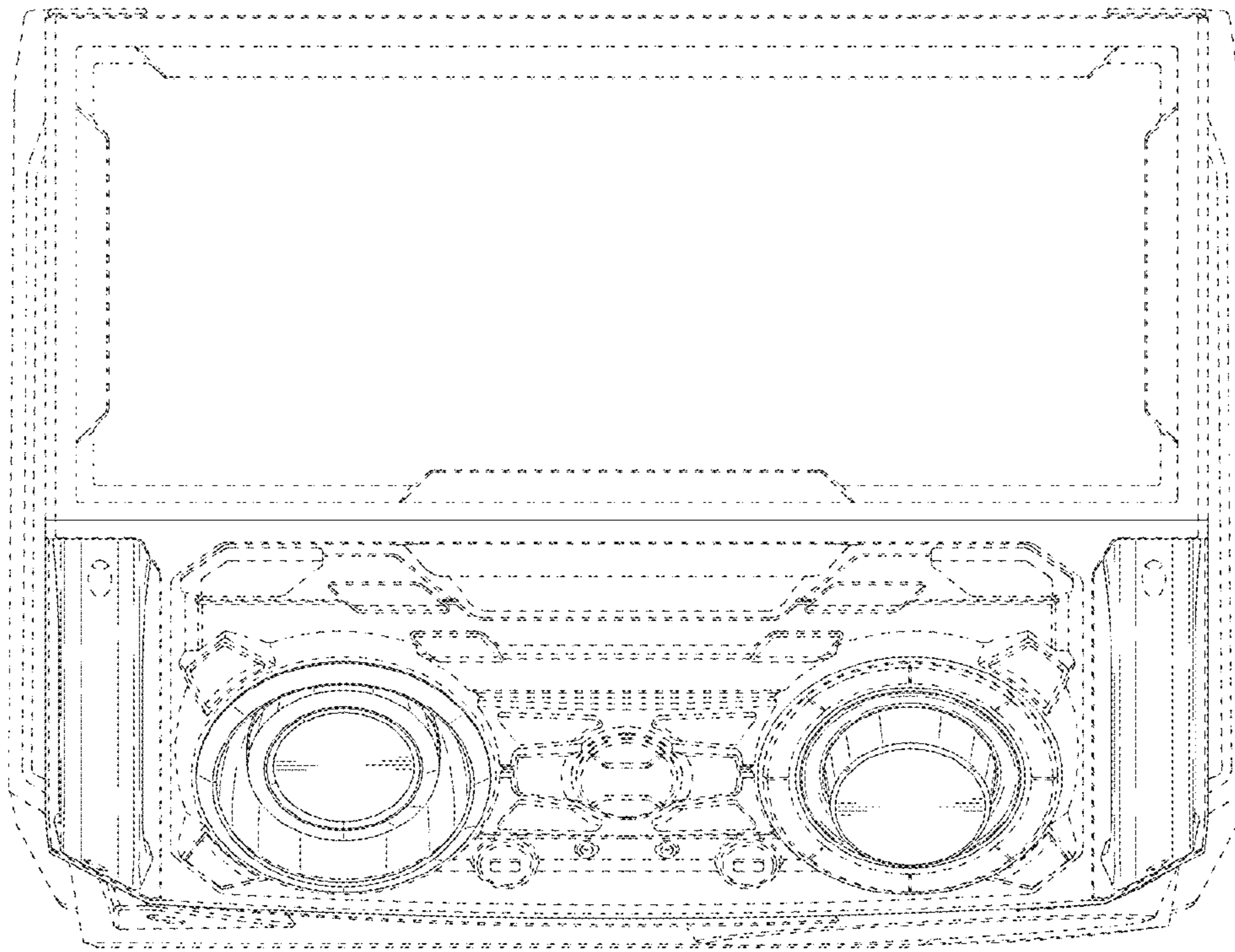


FIG. 7

