



US00D744979S

(12) **United States Design Patent**
Loving

(10) **Patent No.:** **US D744,979 S**

(45) **Date of Patent:** **** Dec. 8, 2015**

(54) **DUAL EAR BUD DEVICE**

(71) Applicant: **Ray Loving**, Los Angeles, CA (US)

(72) Inventor: **Ray Loving**, Los Angeles, CA (US)

(**) Term: **14 Years**

(21) Appl. No.: **29/509,725**

(22) Filed: **Nov. 20, 2014**

(51) **LOC (10) Cl.** **14-01**

(52) **U.S. Cl.**
USPC **D14/205**

(58) **Field of Classification Search**
USPC D14/205; 181/129, 130, 135; 379/430,
379/431; 381/380, 381, 74, 384, 385;
174/71 R

CPC H04R 25/00
See application file for complete search history.

(56) **References Cited**

U.S. PATENT DOCUMENTS

2,566,313	A *	9/1951	Cates	181/22
4,097,111	A	6/1978	Martin	
D278,234	S *	4/1985	Saito	D14/205
D311,007	S *	10/1990	Daido	D14/205
4,965,838	A *	10/1990	Kamon et al.	381/380
D318,865	S *	8/1991	Ichikawa	D14/205
5,812,683	A	9/1998	Parker et al.	
D463,790	S *	10/2002	Beraut et al.	D14/223
D469,753	S *	2/2003	Andre et al.	D14/205
6,600,826	B1	7/2003	Xavier	
6,668,064	B1 *	12/2003	Lin	381/380
D546,321	S *	7/2007	Kim	D14/223
D564,495	S *	3/2008	Sasaki	D14/205
D568,291	S *	5/2008	Andre et al.	D14/205
D587,677	S *	3/2009	Andre et al.	D14/205

D589,491	S *	3/2009	Andre et al.	D14/205
D590,371	S *	4/2009	Leinvuo	D14/205
D595,690	S *	7/2009	Fullerton	D14/205
D605,628	S *	12/2009	Ando	D14/205
D607,875	S *	1/2010	Pedersen, II	D14/206
D653,235	S *	1/2012	McManigal	D14/205
8,126,157	B2	2/2012	Buil et al.	
D656,481	S *	3/2012	McManigal	D14/205
8,144,915	B2 *	3/2012	Hankey et al.	381/384
8,147,270	B1 *	4/2012	Wescott	439/501
8,218,808	B2 *	7/2012	Xu	381/384
D669,882	S	10/2012	Prisciandaro	
8,358,800	B2 *	1/2013	Wu et al.	381/384
D677,240	S *	3/2013	Coulter	D14/205
D685,764	S *	7/2013	Coulter	D14/205
D686,189	S *	7/2013	Lu	D14/205
D687,410	S *	8/2013	Fletcher et al.	D14/205
D692,409	S *	10/2013	Takeo	D14/205
D716,257	S *	10/2014	Sarkoyan	D14/205
2004/0247138	A1 *	12/2004	Wang	381/74
2010/0215186	A1	8/2010	Chang	
2012/0041581	A1	2/2012	Lee	

* cited by examiner

Primary Examiner — Paula Greene

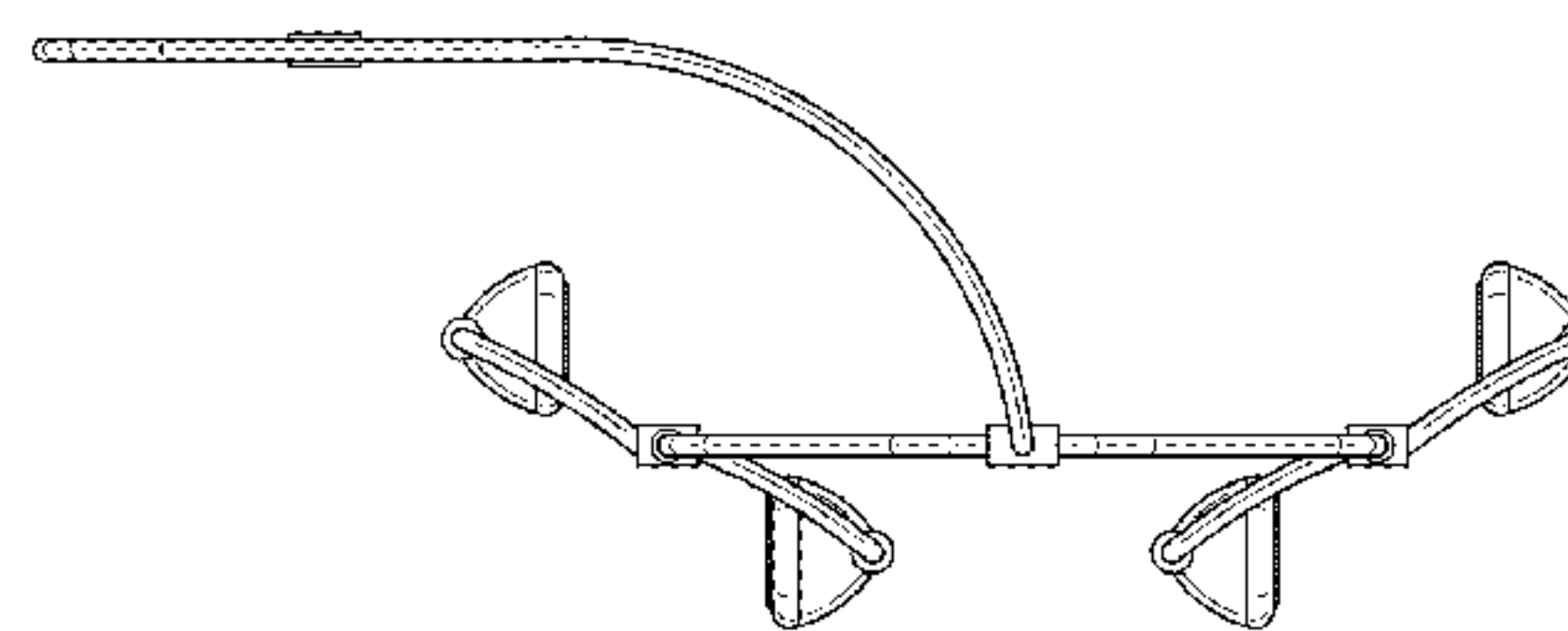
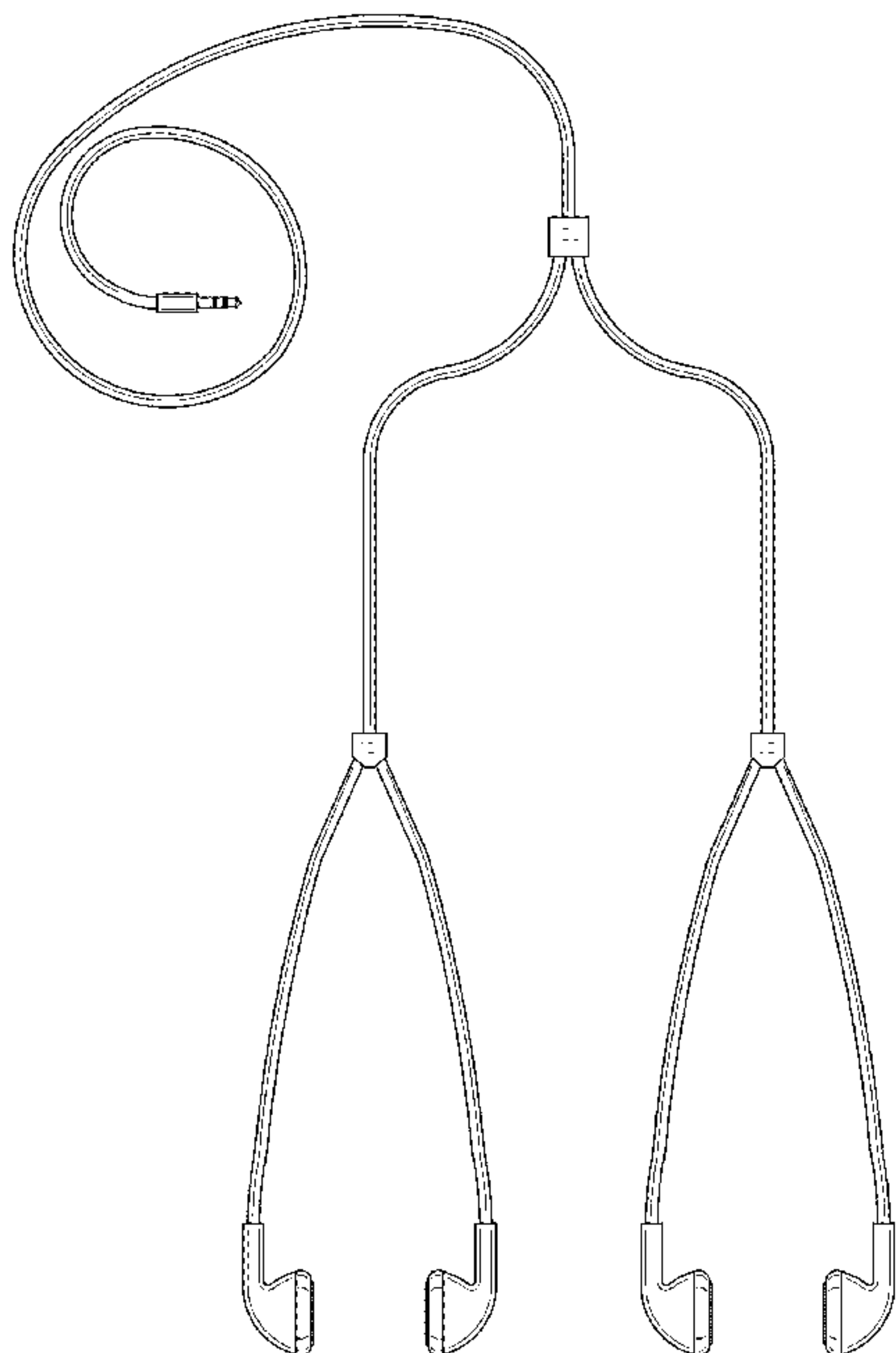
(57) **CLAIM**

The ornamental design for a dual ear bud device, as shown and described.

DESCRIPTION

FIG. 1 is a front view of a dual ear bud device showing my new design, a back view being a mirror image thereof; FIG. 2 is a left side view of the dual ear bud device, a right side view being a mirror image thereof; FIG. 3 is a top view of the dual ear bud device; and, FIG. 4 is a bottom view of the dual ear bud device.

1 Claim, 3 Drawing Sheets



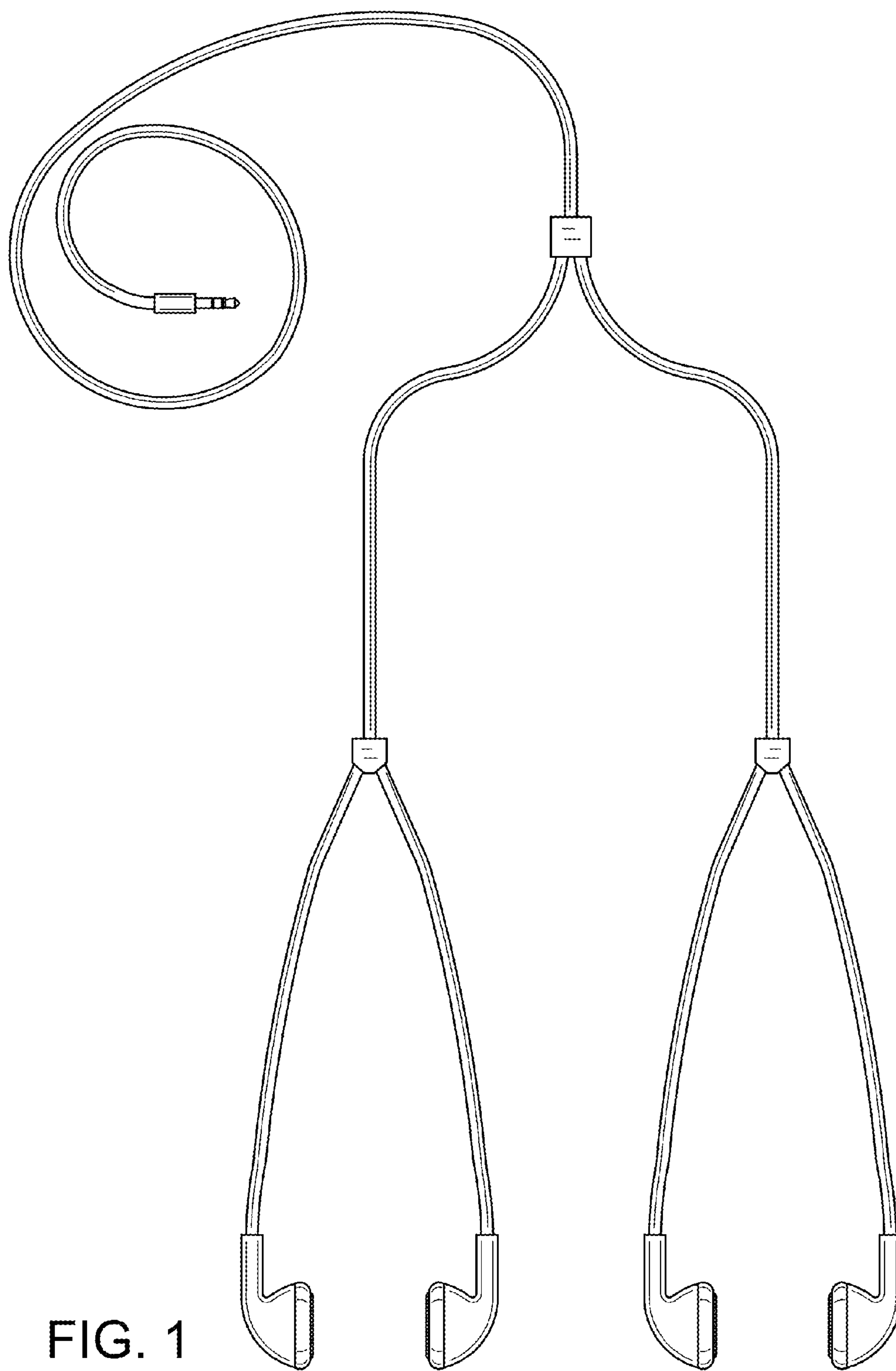


FIG. 1

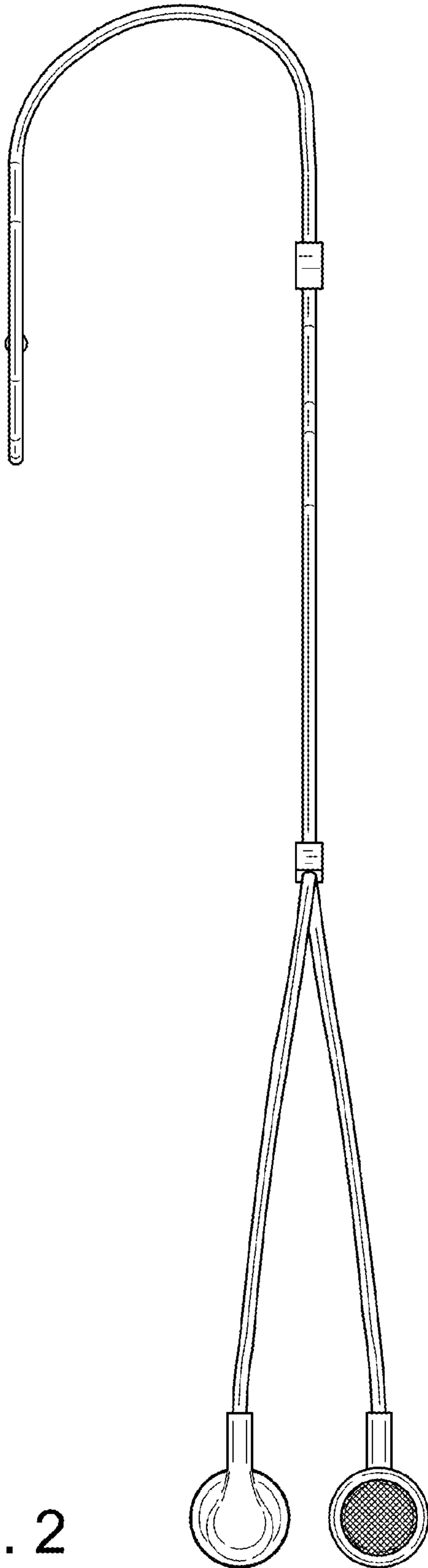


FIG. 2

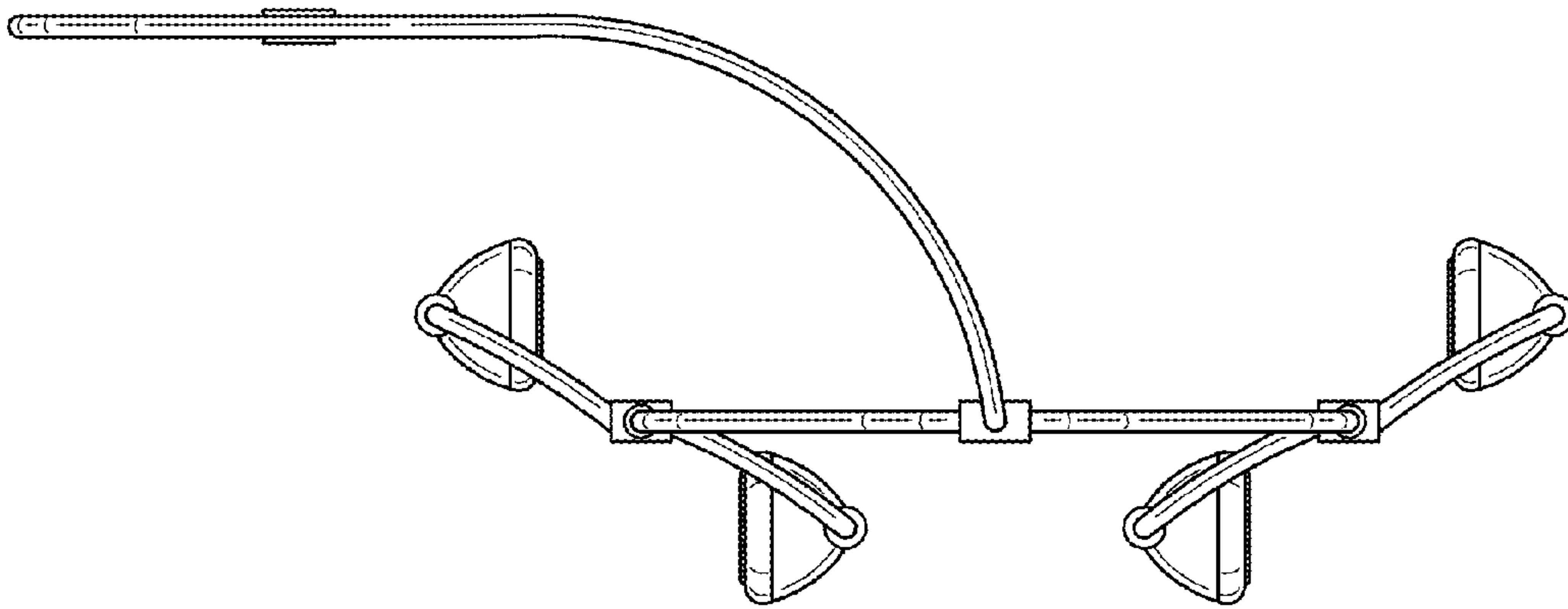


FIG. 3

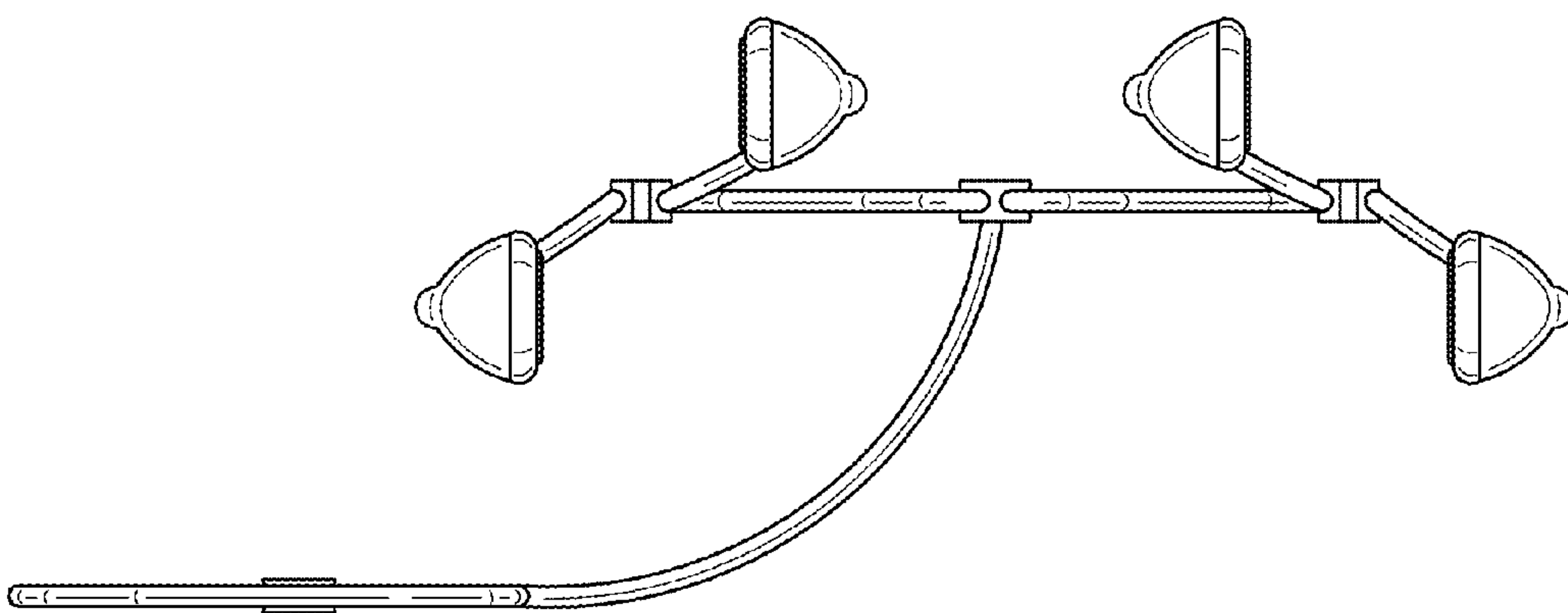


FIG. 4