



US00D744977S

(12) **United States Design Patent**  
**Wagner**

(10) **Patent No.:** **US D744,977 S**  
(45) **Date of Patent:** **\*\* Dec. 8, 2015**

(54) **LOUDSPEAKER**

(71) Applicant: **Bang & Olufsen A/S**, Struer (DK)

(72) Inventor: **Jakob Wagner**, København Ø (DK)

(73) Assignee: **Bang & Olufsen a/s**, Struer (DK)

(\*\*) Term: **14 Years**

(21) Appl. No.: **29/485,566**

(22) Filed: **Mar. 20, 2014**

(30) **Foreign Application Priority Data**

Sep. 20, 2013 (DK) ..... DA 2013 00066

(51) **LOC (10) Cl.** ..... **14-01**

(52) **U.S. Cl.**  
USPC ..... **D14/204**

(58) **Field of Classification Search**

USPC ..... D14/143, 160–165, 176, 188, 189,  
D14/196–198, 200, 203.2, 203.6, 204, 207,  
D14/209.1, 215, 216, 221, 225, 227, 228,  
D14/265, 299, 480.2, 508; 369/75.11,  
369/75.21, 77.11, 77.21; 455/344,  
455/347–351; 720/612, 619, 647, 655  
CPC ..... G06F 1/1632; G06F 1/1628; H04B 17/00;  
H04R 1/02; H04R 1/021; H04R 1/288;  
H04R 5/02; H04R 25/60; H04R 25/65;  
H04R 25/608; H04R 2420/07; H05K 11/00

See application file for complete search history.

(56) **References Cited**

U.S. PATENT DOCUMENTS

4,083,426	A *	4/1978	Peugh	.....	181/156
D466,887	S *	12/2002	Lewis	.....	D14/216
D487,737	S *	3/2004	Lewis	.....	D14/215
D500,998	S *	1/2005	Inoue	.....	D14/171
D514,548	S *	2/2006	Chan	.....	D14/216
D597,532	S *	8/2009	Wang	.....	D14/216
2008/0317264	A1 *	12/2008	Wynnychuk	.....	381/150

\* cited by examiner

*Primary Examiner* — Derrick Holland

*Assistant Examiner* — Janice Lim

(74) *Attorney, Agent, or Firm* — Dykema Gossett PLLC

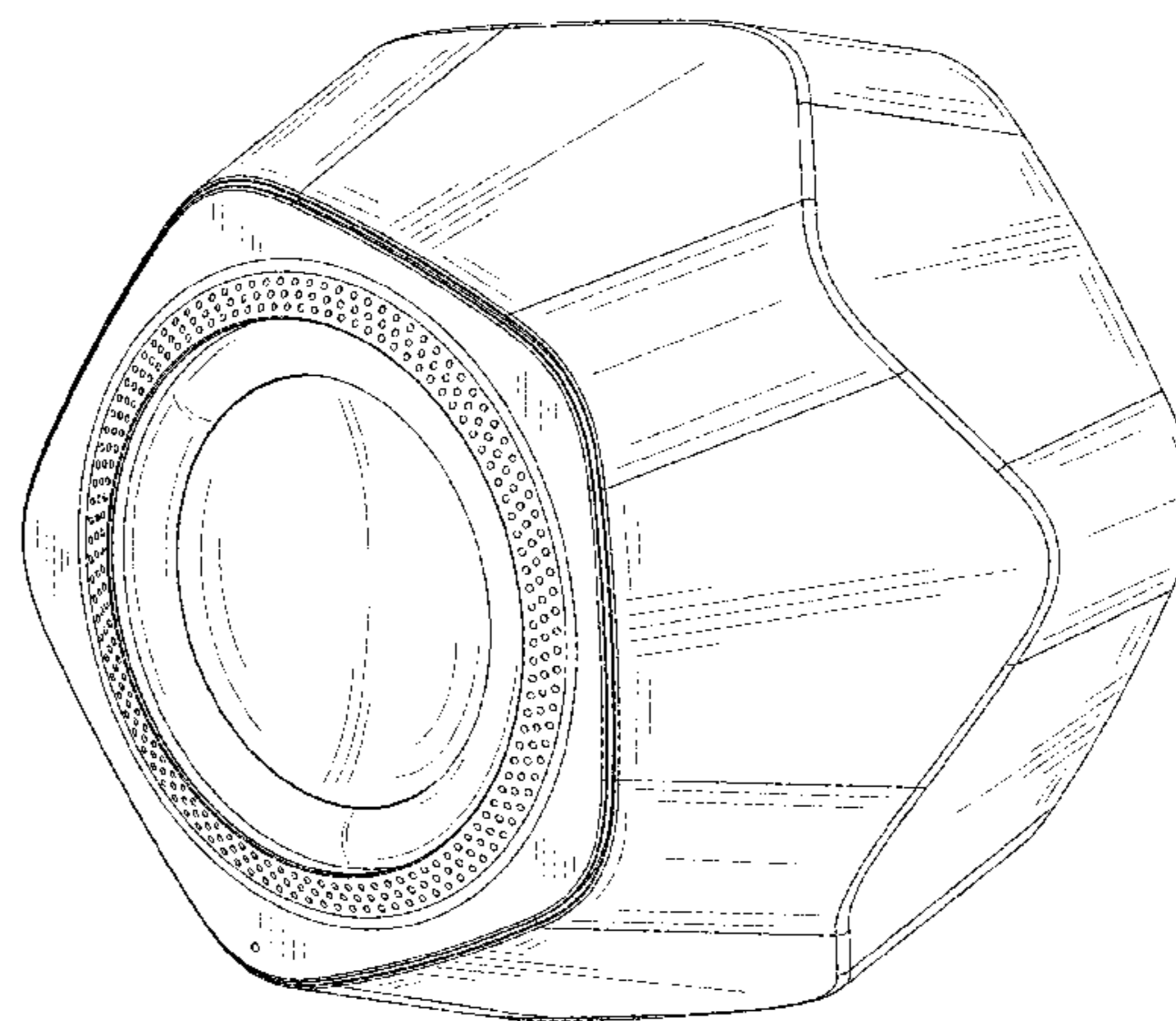
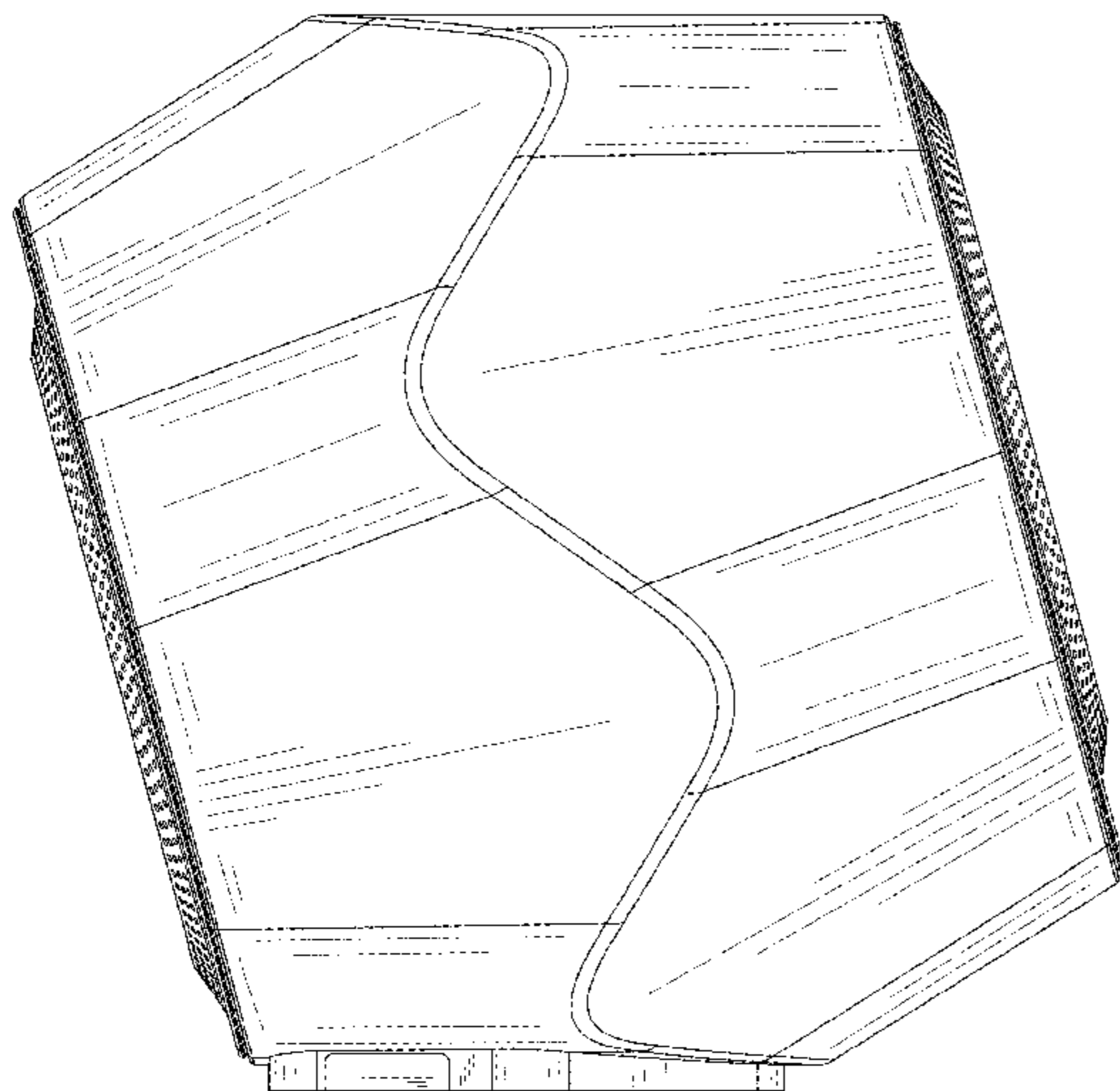
(57) **CLAIM**

The ornamental design for a loudspeaker, as shown and described.

**DESCRIPTION**

FIG. 1 is a front elevation view of a loudspeaker showing my new design;  
FIG. 2 is a right side elevation view of FIG. 1, wherein the left side elevation view is a mirror image thereof;  
FIG. 3 is a rear elevation view of FIG. 1;  
FIG. 4 is a top plan view of FIG. 1;  
FIG. 5 is a bottom plan view of FIG. 1;  
FIG. 6 is a front, top, and side perspective view of FIG. 1; and,  
FIG. 7 is a rear, top, and side perspective view of FIG. 1.

**1 Claim, 7 Drawing Sheets**



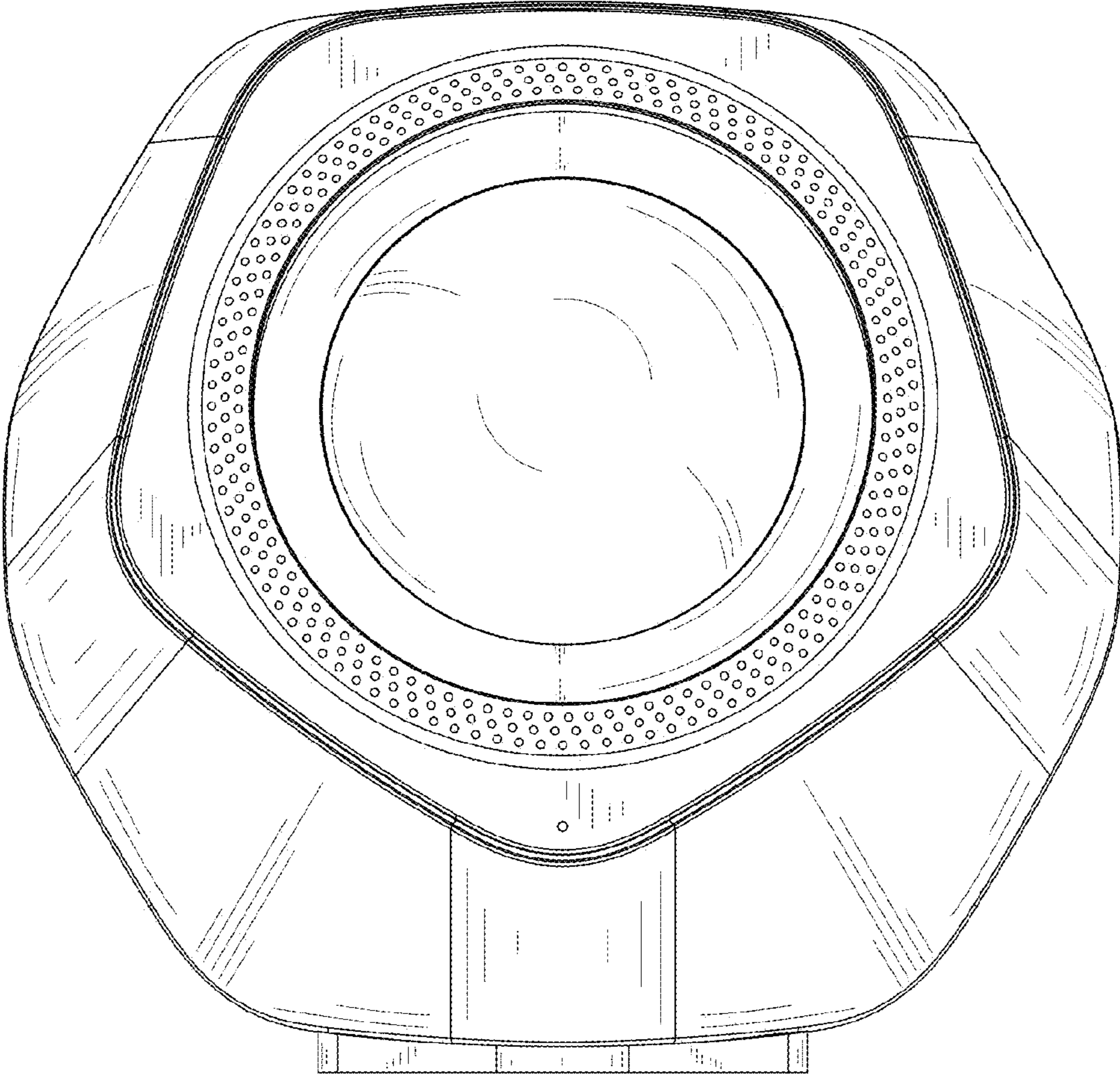
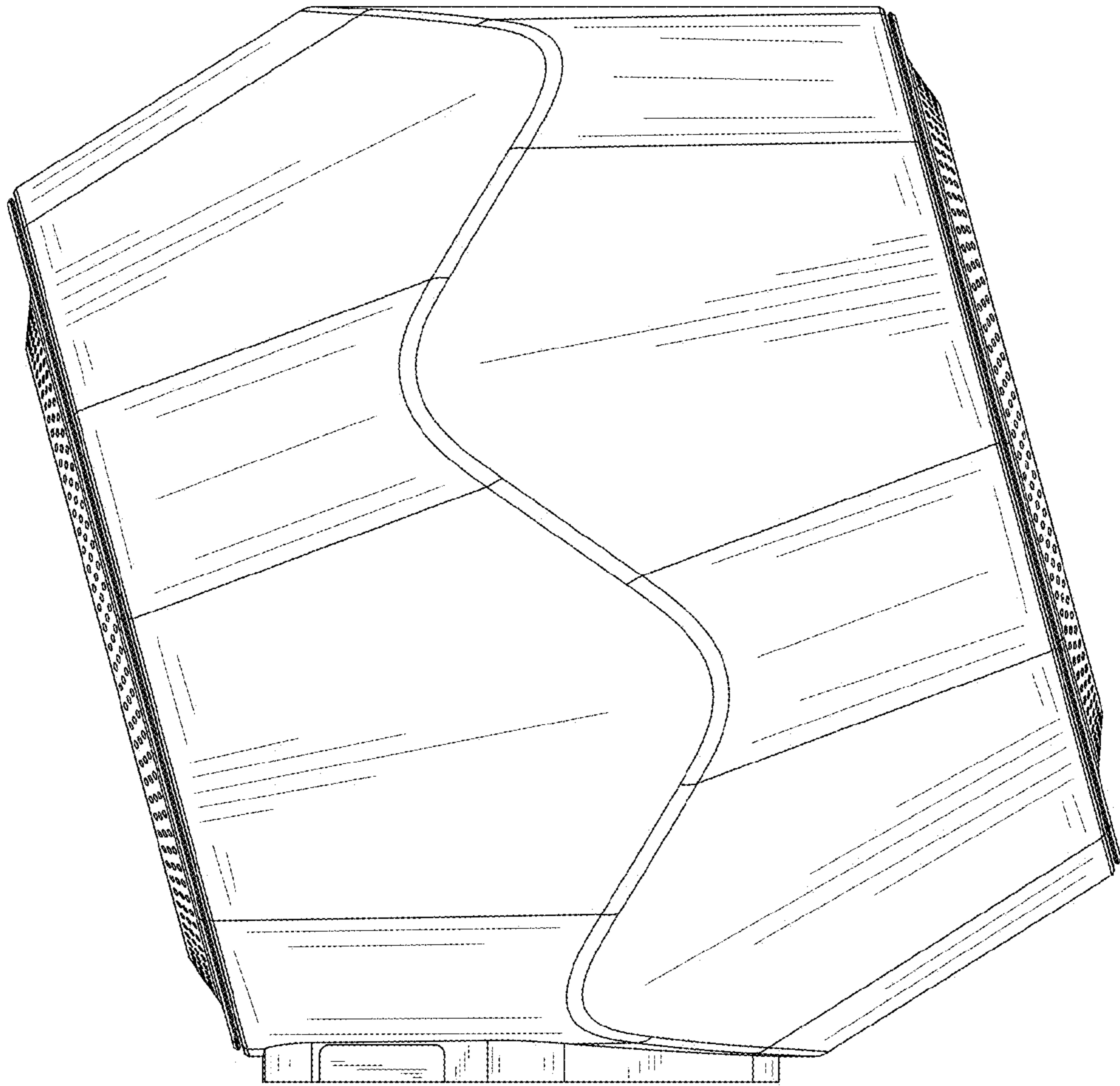


FIG. 1



**FIG. 2**

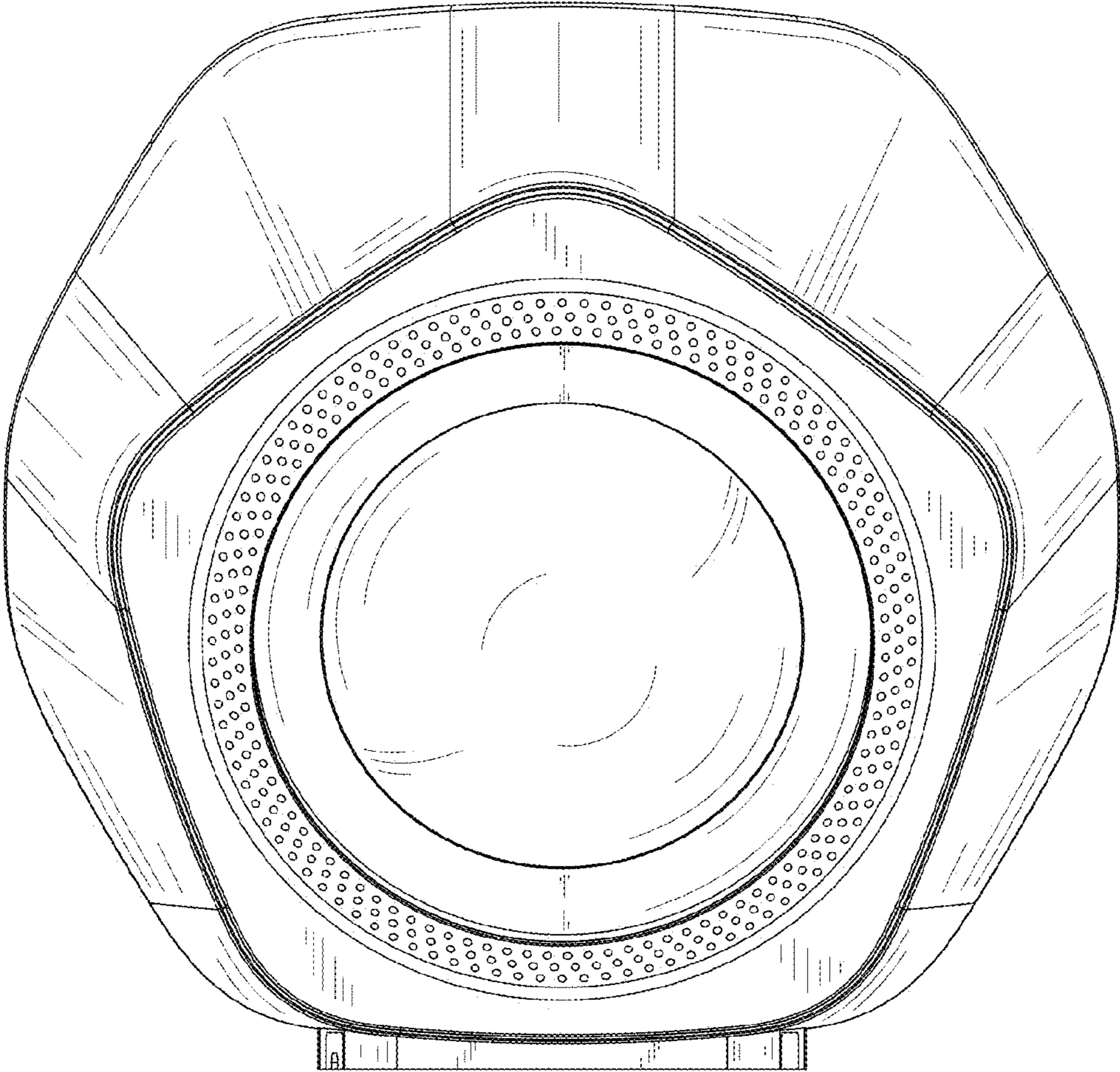
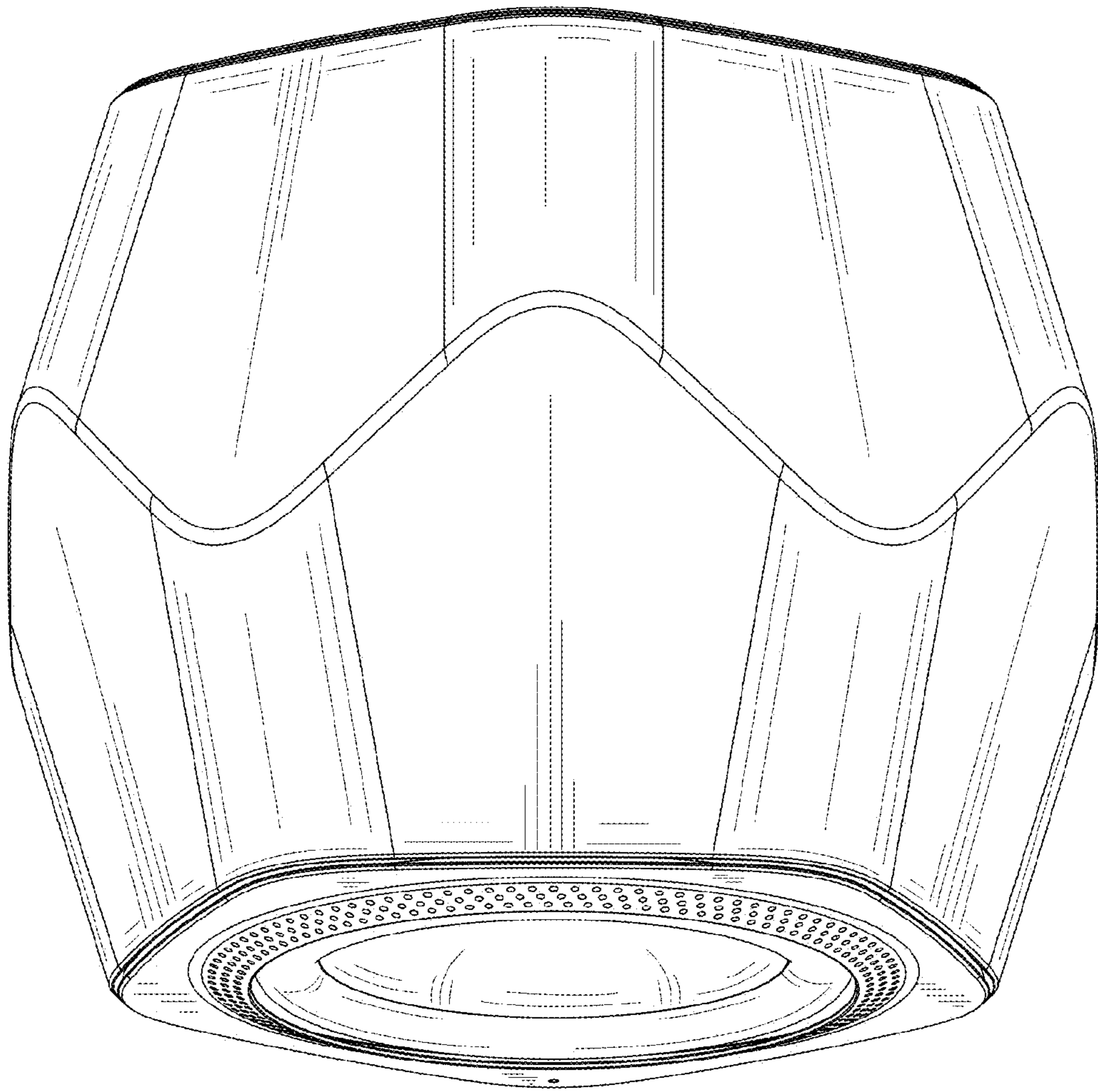


FIG. 3



**FIG. 4**

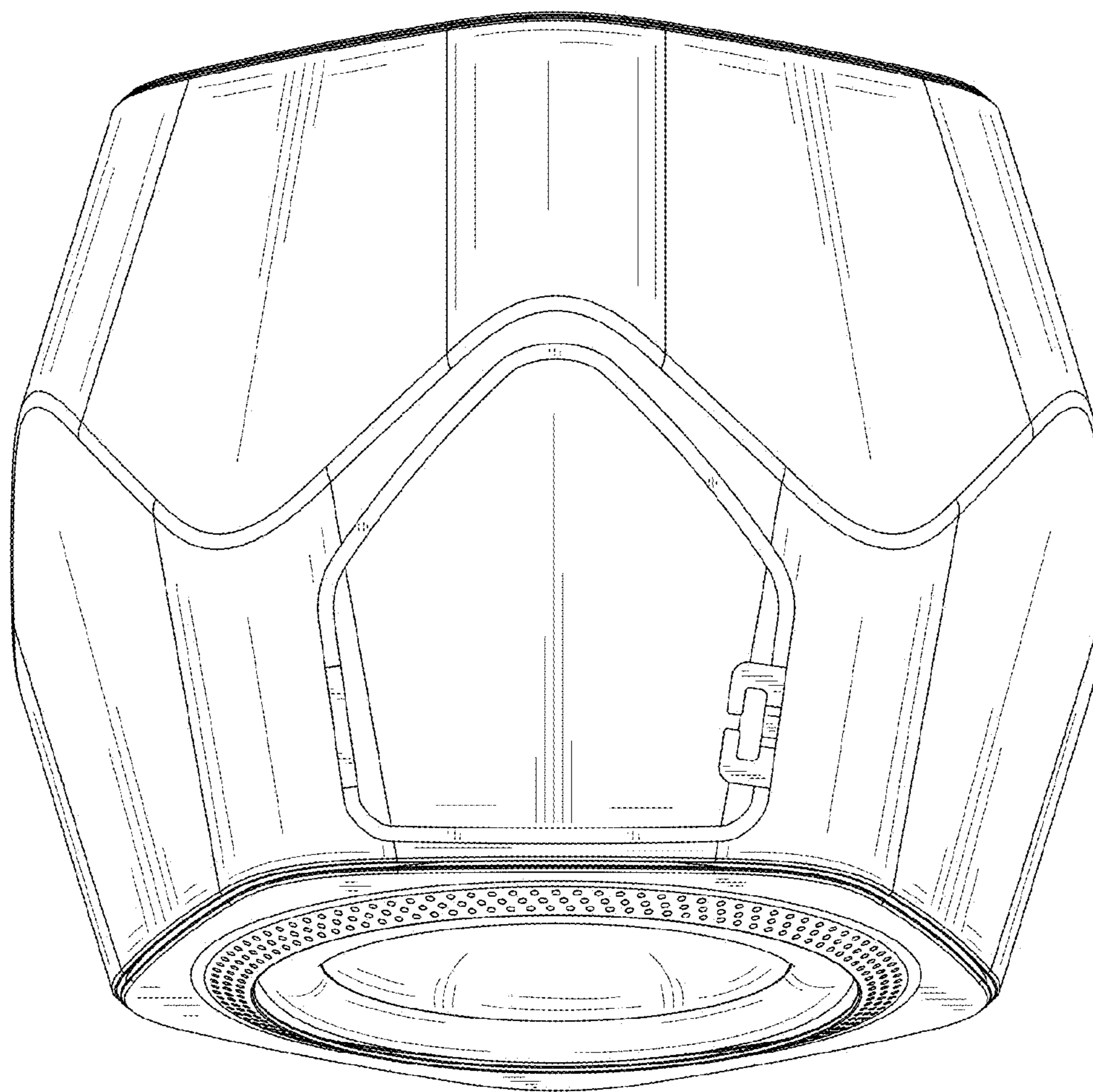
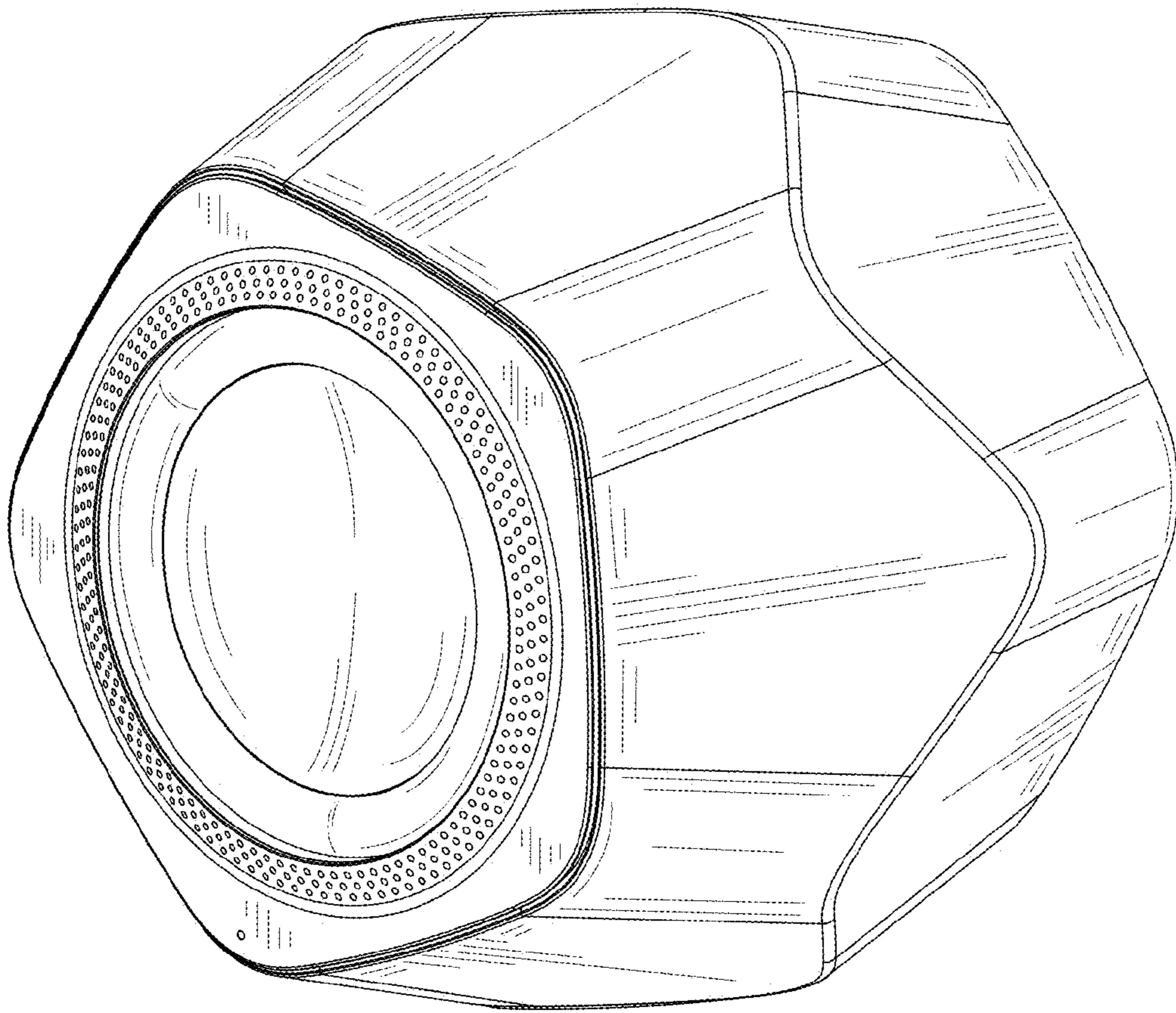
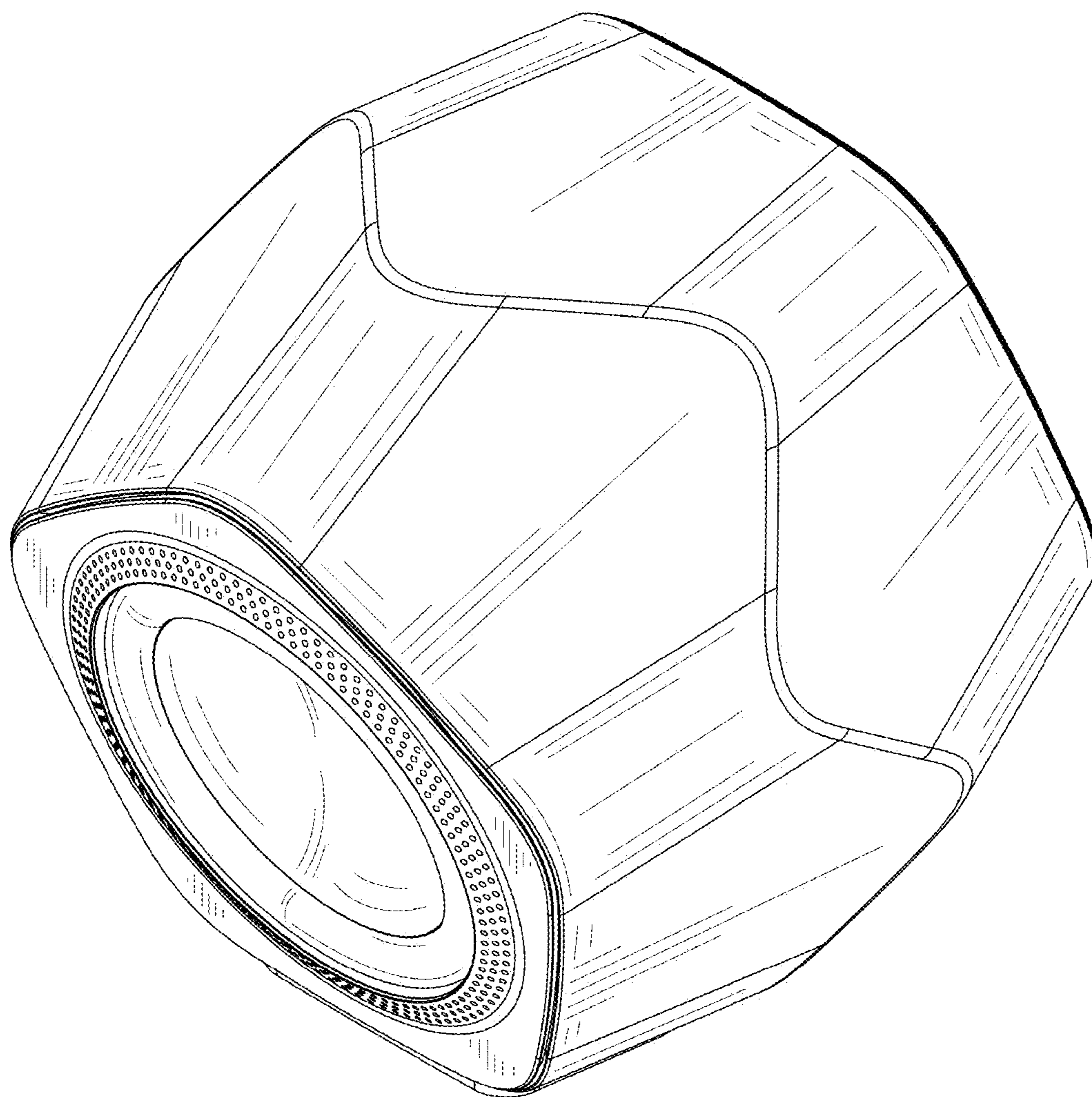


FIG. 5



**FIG. 6**



**FIG. 7**