



US00D744976S

(12) **United States Design Patent**
Snyder et al.

(10) **Patent No.:** **US D744,976 S**
(45) **Date of Patent:** **** Dec. 8, 2015**

(54) **SPEAKER FOR TELEVISION RECEIVER**

(56) **References Cited**

(71) Applicant: **Samsung Electronics Co., Ltd.**,
Suwon-si (KR)
(72) Inventors: **Dan Snyder**, San Francisco, CA (US);
Liam Adelman, San Francisco, CA
(US); **Noah Murphy-Reinhertz**, San
Francisco, CA (US); **Yves Behar**, San
Francisco, CA (US); **Dong Hee Won**,
Seoul (KR)
(73) Assignee: **Samsung Electronics Co., Ltd.**,
Suwon-si (KR)

U.S. PATENT DOCUMENTS

D346,601 S * 5/1994 Lyons D14/204
D497,154 S * 10/2004 Lin et al. D14/204
D527,722 S * 9/2006 Yeh D14/209.1
D535,942 S * 1/2007 Kim D13/108
D543,936 S * 6/2007 Wada D13/108
D578,997 S * 10/2008 Takuma D14/172

* cited by examiner

Primary Examiner — Derrick Holland

Assistant Examiner — Janice Lim

(74) *Attorney, Agent, or Firm* — NSIP Law

(**) Term: **14 Years**

(57) **CLAIM**

The ornamental design for a speaker for television receiver, as shown and described.

(21) Appl. No.: **29/467,928**

DESCRIPTION

(22) Filed: **Sep. 25, 2013**

(30) **Foreign Application Priority Data**

Mar. 25, 2013 (KR) 30-2013-0015151

(51) **LOC (10) Cl.** **14-01**

(52) **U.S. Cl.**
USPC **D14/204**

(58) **Field of Classification Search**
USPC D14/170–172, 188, 194–196, 203.1,
D14/204, 207, 209.1, 210–216, 221, 222,
D14/224; 381/300, 332, 334, 336, 345,
381/361–363, 386, 387

CPC H04B 1/08; H04R 1/02; H04R 5/02;
H04R 25/60; H04R 25/65; H04R 25/608

See application file for complete search history.

FIG. 1 is a front perspective view of a speaker for television receiver showing our new design;

FIG. 2 is a front view thereof;

FIG. 3 is a rear view thereof;

FIG. 4 is a left-side view thereof;

FIG. 5 is a right-side view thereof;

FIG. 6 is a top view thereof;

FIG. 7 is a bottom view thereof; and,

FIG. 8 is a rear perspective view thereof, shown in environmental use.

The broken line portions of FIG. 8 are included to show environmental use only and form no part of the claimed design.

1 Claim, 8 Drawing Sheets

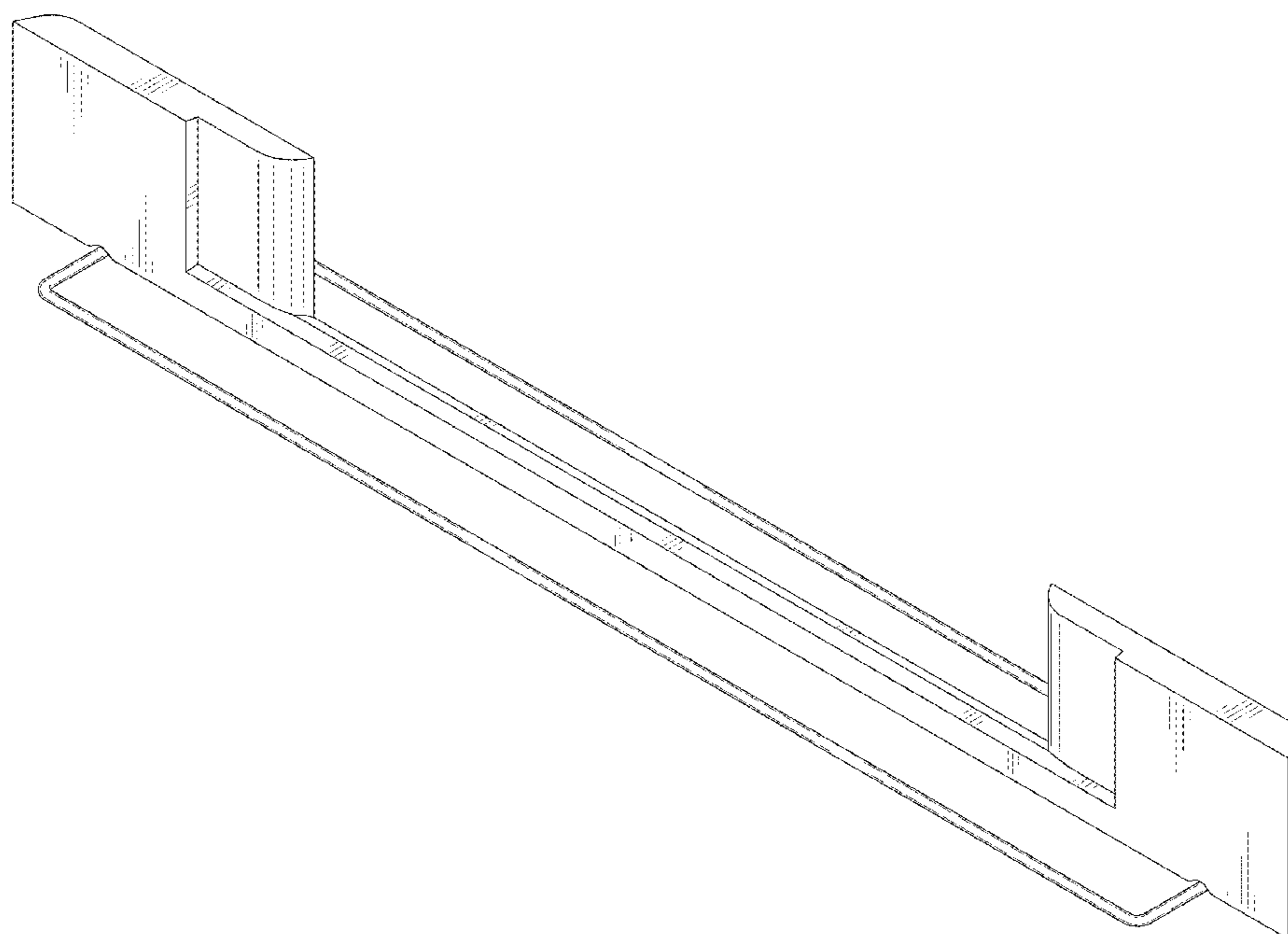


FIG. 1

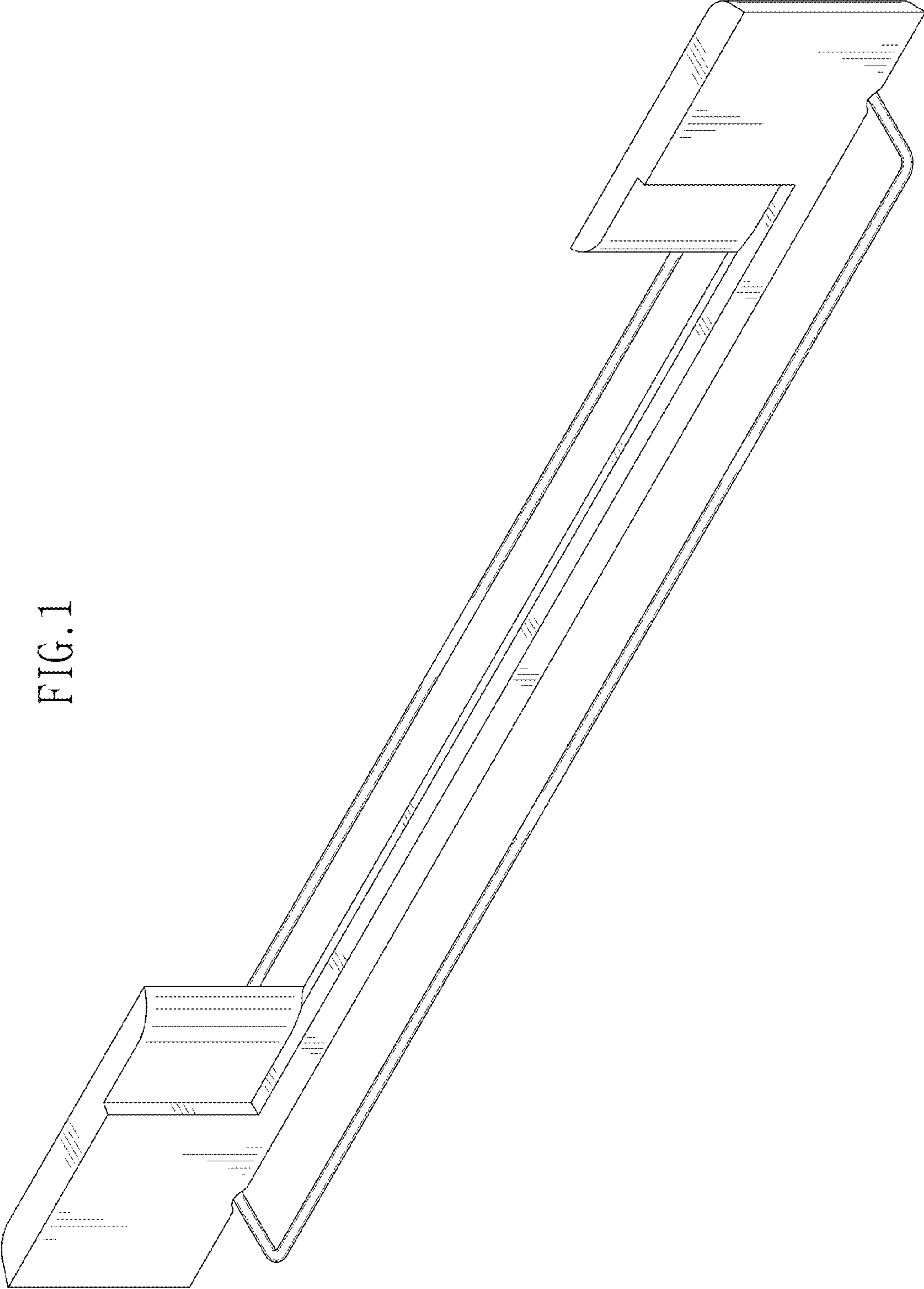


FIG. 2

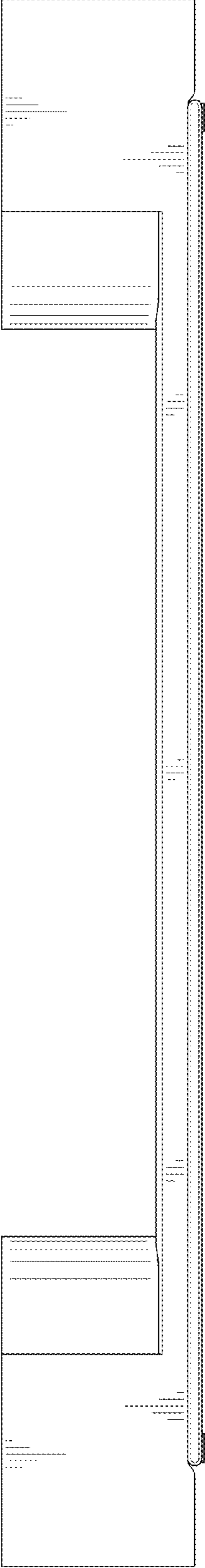


FIG. 3

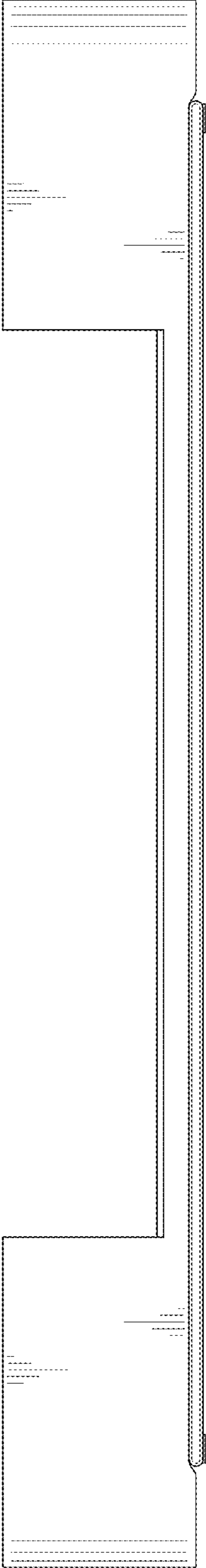


FIG. 4

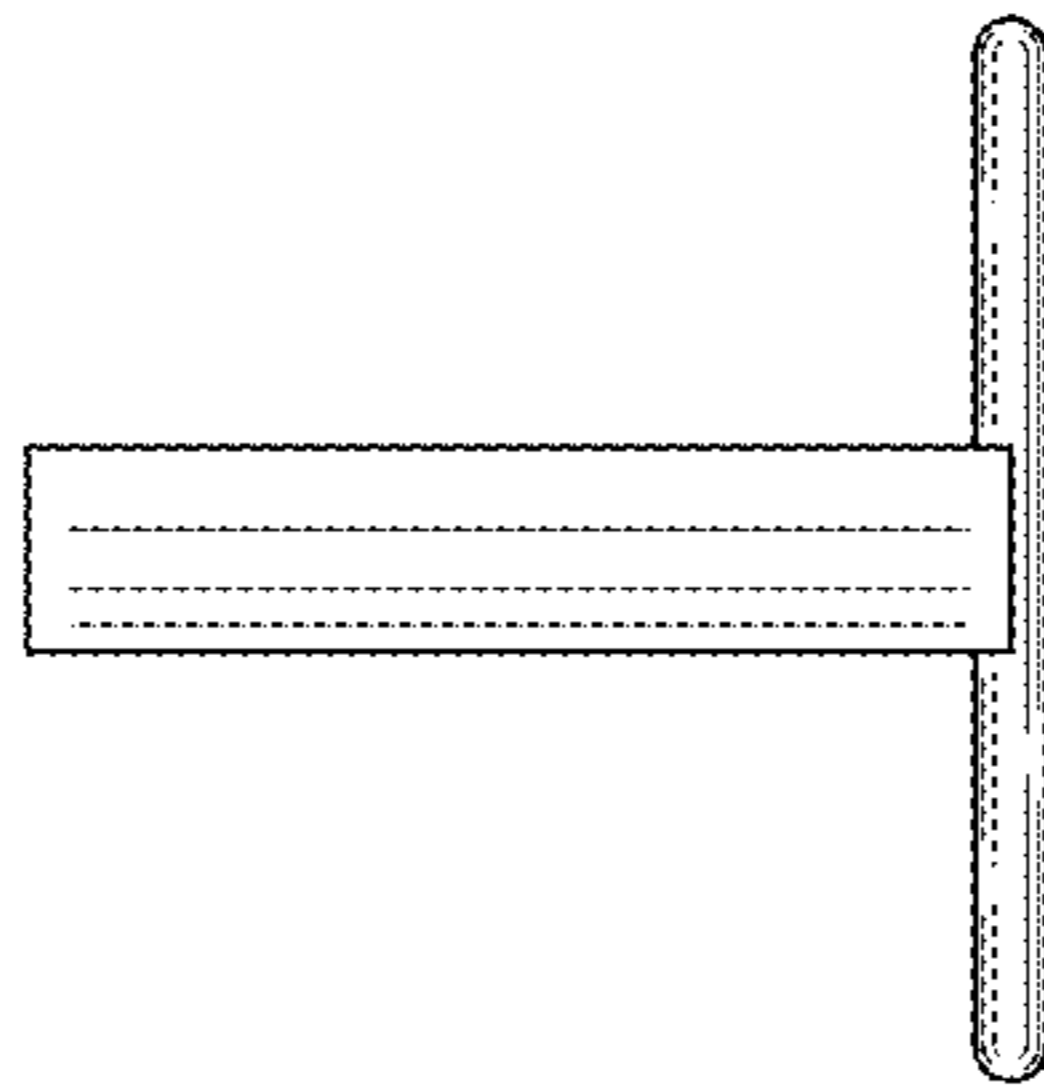


FIG. 5

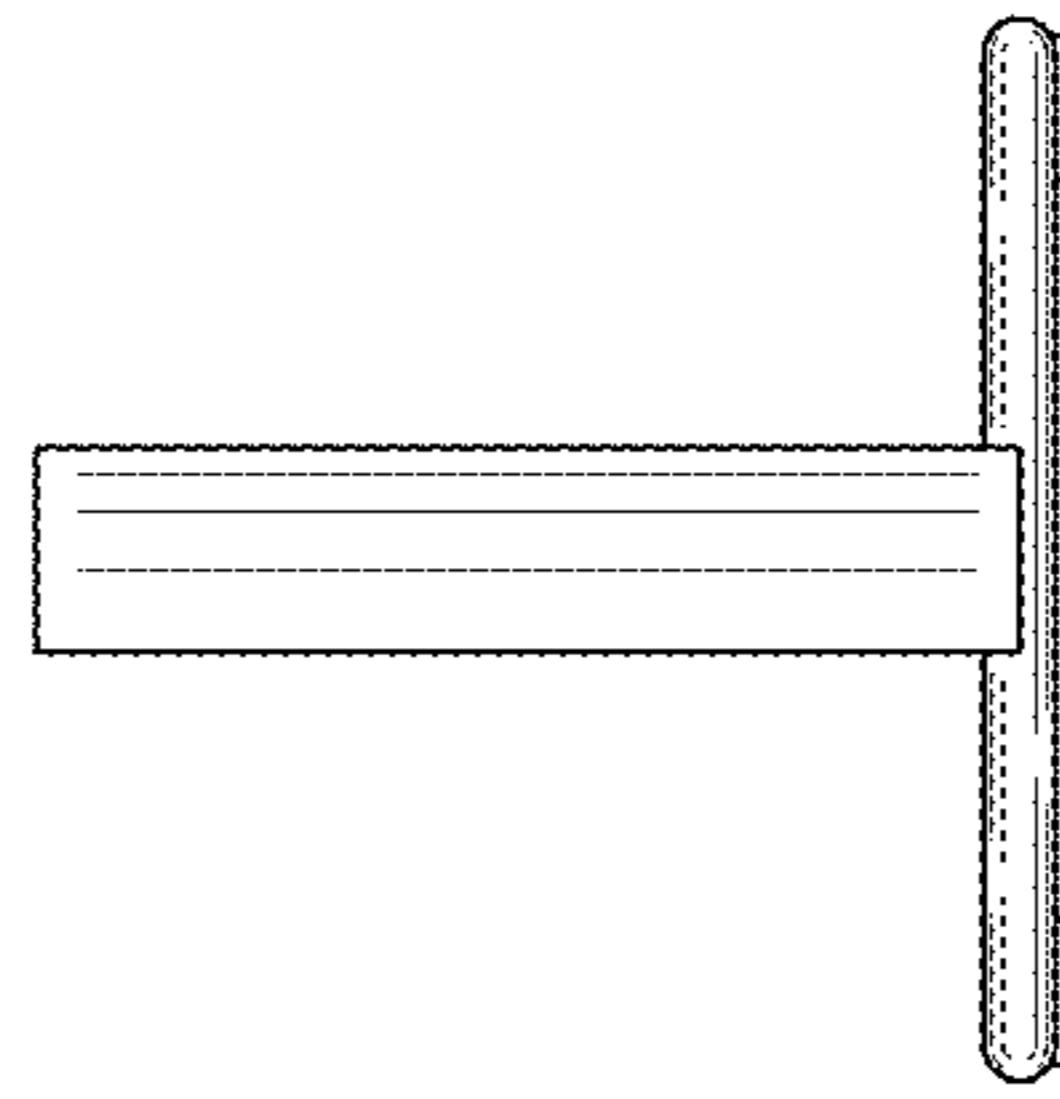


FIG. 6

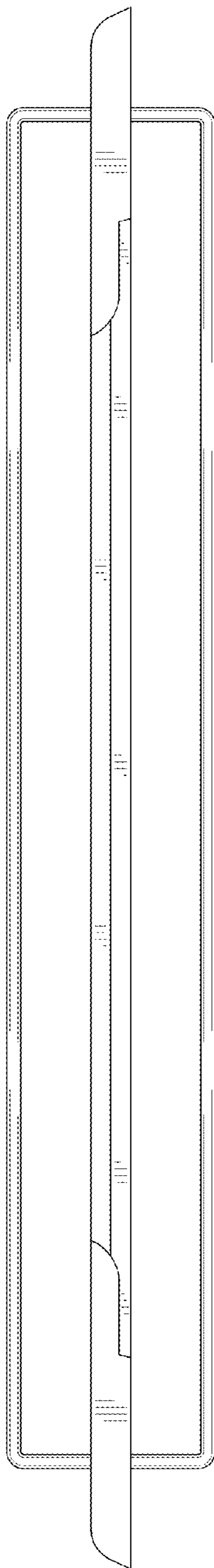


FIG. 7

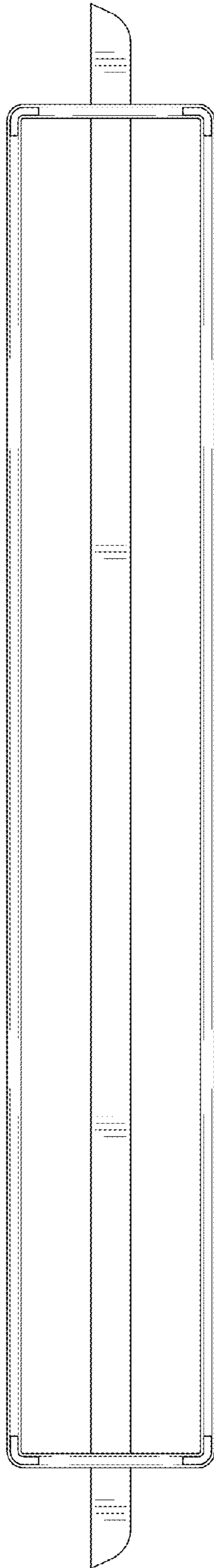


FIG. 8

