



US00D744975S

(12) **United States Design Patent**  
**Kimura**

(10) **Patent No.:** **US D744,975 S**

(45) **Date of Patent:** **\*\* Dec. 8, 2015**

(54) **DIGITAL AUDIO DISC PLAYER FOR  
AUTOMOBILE**

(56) **References Cited**

U.S. PATENT DOCUMENTS

(71) Applicant: **JVC Kenwood Corporation**, Kanagawa  
(JP)

|           |      |         |                         |           |
|-----------|------|---------|-------------------------|-----------|
| 4,181,823 | A *  | 1/1980  | DeLamoreaux et al. .... | 369/10    |
| 5,852,594 | A *  | 12/1998 | Kaise et al. ....       | 720/647   |
| D475,691  | S *  | 6/2003  | Nishii et al. ....      | D14/157   |
| D487,448  | S *  | 3/2004  | Sadatsuki ....          | D14/157   |
| 6,801,708 | B1 * | 10/2004 | Takahashi et al. ....   | 386/290   |
| D504,881  | S *  | 5/2005  | Kangasmaa ....          | D14/188   |
| 6,908,387 | B2 * | 6/2005  | Hedrick et al. ....     | 463/31    |
| D517,035  | S *  | 3/2006  | Sogabe ....             | D14/505   |
| D554,089  | S *  | 10/2007 | Takahashi ....          | D14/203.3 |
| D606,561  | S *  | 12/2009 | Tsuboi ....             | D14/496   |
| D689,905  | S *  | 9/2013  | Moriya et al. ....      | D14/496   |
| D700,210  | S *  | 2/2014  | Takano et al. ....      | D14/496   |

(72) Inventor: **Hideyuki Kimura**, Kanagawa (JP)

(73) Assignee: **JVC KENWOOD CORPORATION**,  
Kanagawa (JP)

(\*\*) Term: **14 Years**

\* cited by examiner

(21) Appl. No.: **29/494,628**

*Primary Examiner* — Prabhakar Deshmukh

(22) Filed: **Jun. 23, 2014**

(74) *Attorney, Agent, or Firm* — Osha Liang LLP

(30) **Foreign Application Priority Data**

Mar. 19, 2014 (JP) ..... 2014-005808

(57) **CLAIM**

The ornamental design for a digital audio disc player for automobile, as shown and described.

(51) **LOC (10) Cl.** ..... **14-03**

**DESCRIPTION**

(52) **U.S. Cl.**  
USPC ..... **D14/203.1**

FIG. 1 is a perspective view of front, top and left side of a digital audio disc player for automobile showing my new design;

(58) **Field of Classification Search**  
USPC ..... D14/496, 401, 435, 474, 483, 217, 137,  
D14/138, 160, 168, 356, 203.1–203.8, 507;  
345/156, 169, 173–179, 905;  
715/727–729, 864; 710/1, 5, 8; 713/1,  
713/600; 455/1.1, 1.7, 73, 344–347, 93, 95,  
455/3.01–3.06, 550.1, 573.1; 370/342–344;  
369/1, 2, 6–12; 463/43–47; 273/148 B

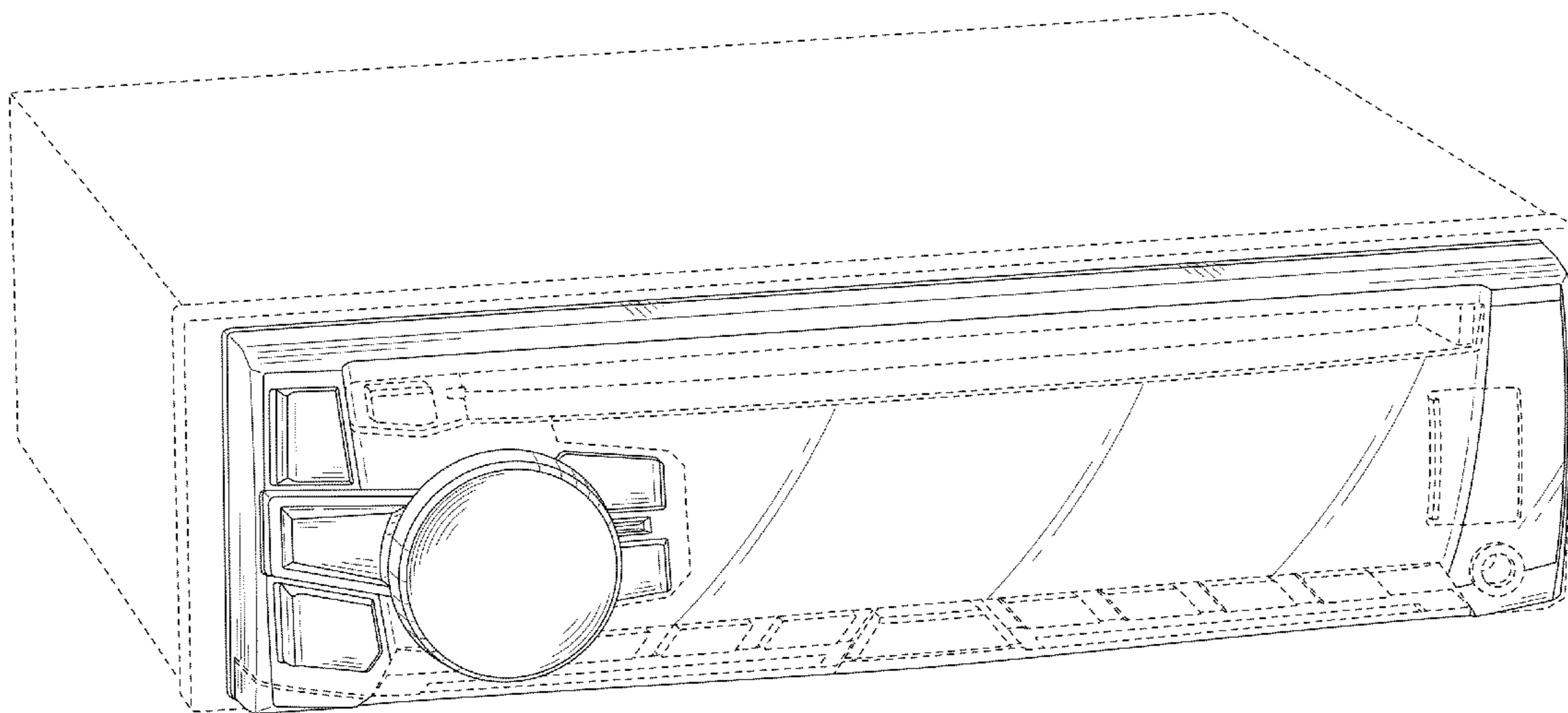
FIG. 2 is a front view thereof;  
FIG. 3 is a rear view thereof;  
FIG. 4 is a left side view thereof;  
FIG. 5 is a right side view thereof;  
FIG. 6 is a top view thereof; and,  
FIG. 7 is a bottom view thereof.

The broken lines shown are included for the purpose of illustrating the unclaimed portions of a digital audio disc player for automobile and form no part of the claimed design.

CPC ..... G11B 5/00

See application file for complete search history.

**1 Claim, 5 Drawing Sheets**



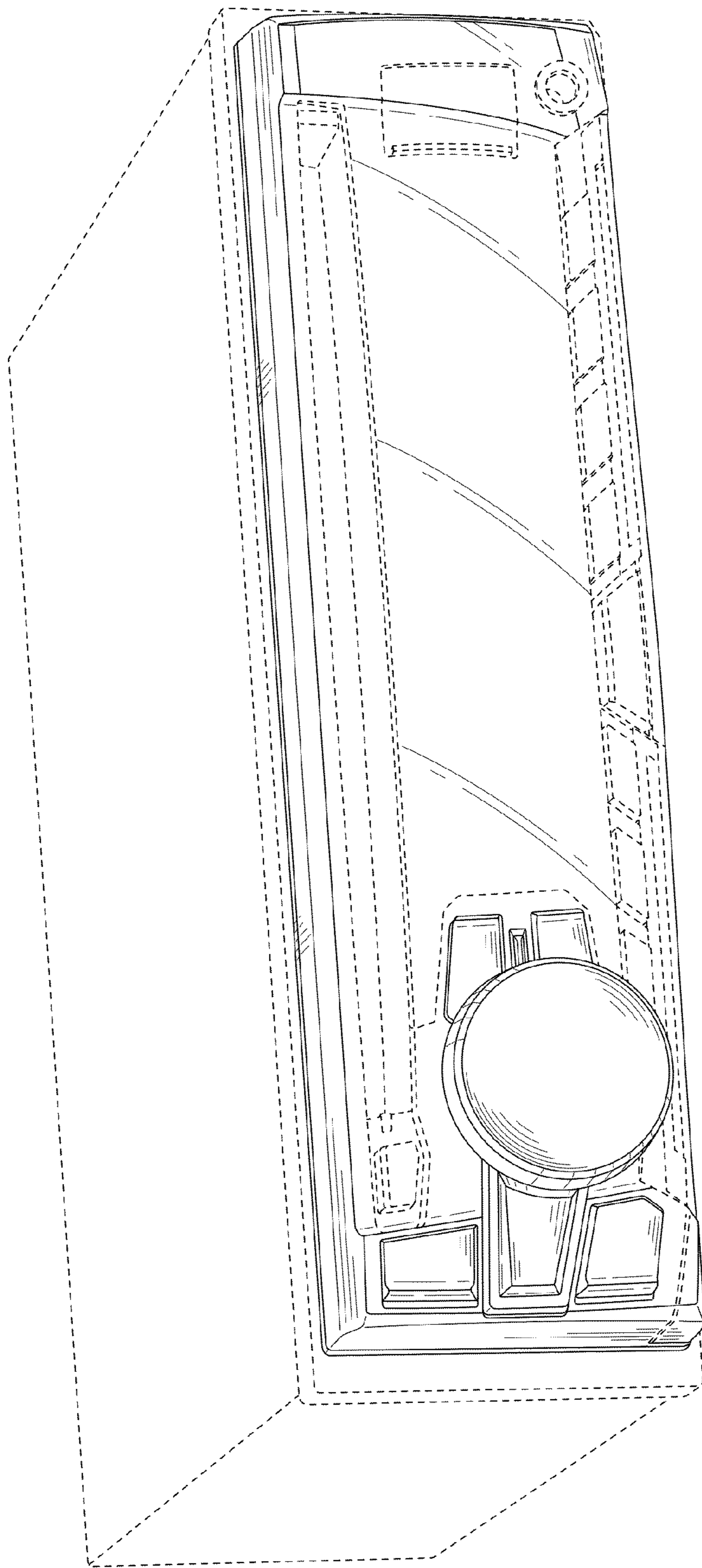


FIG. 1

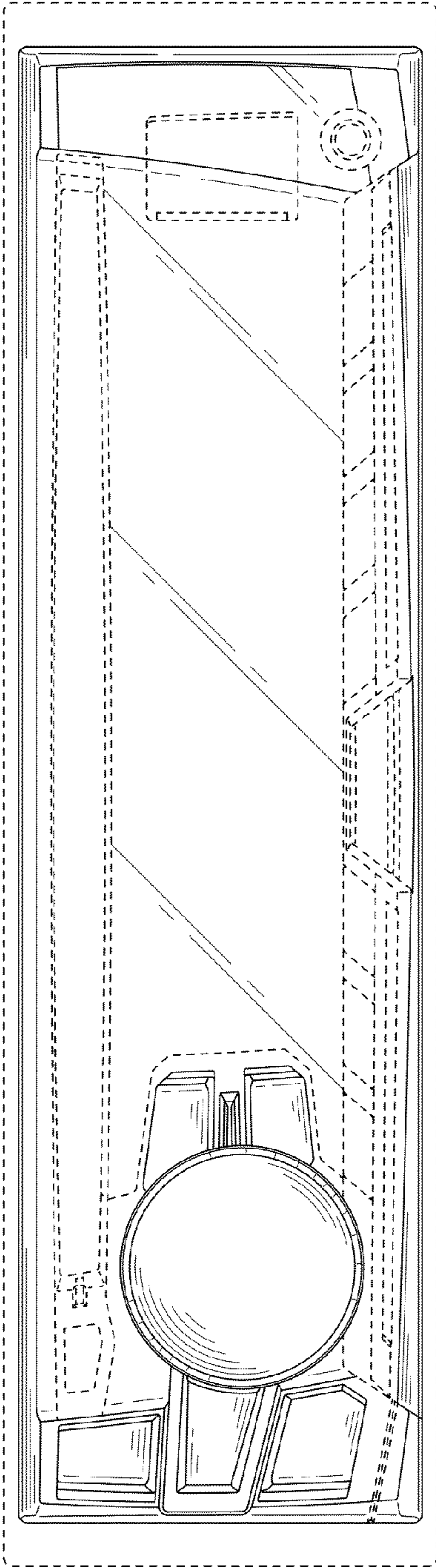


FIG. 2

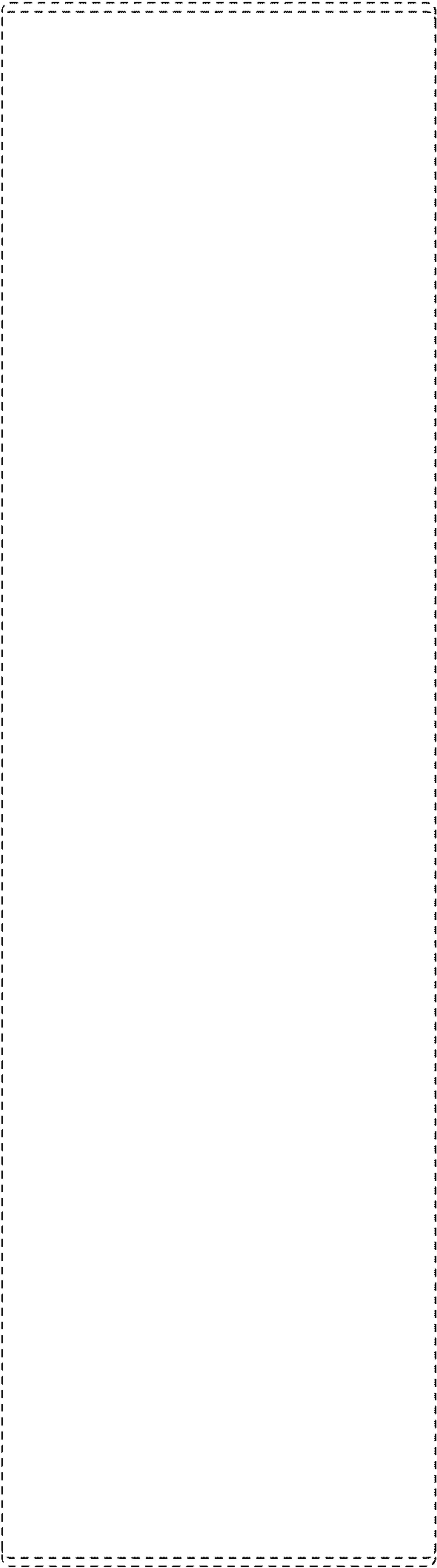


FIG. 3

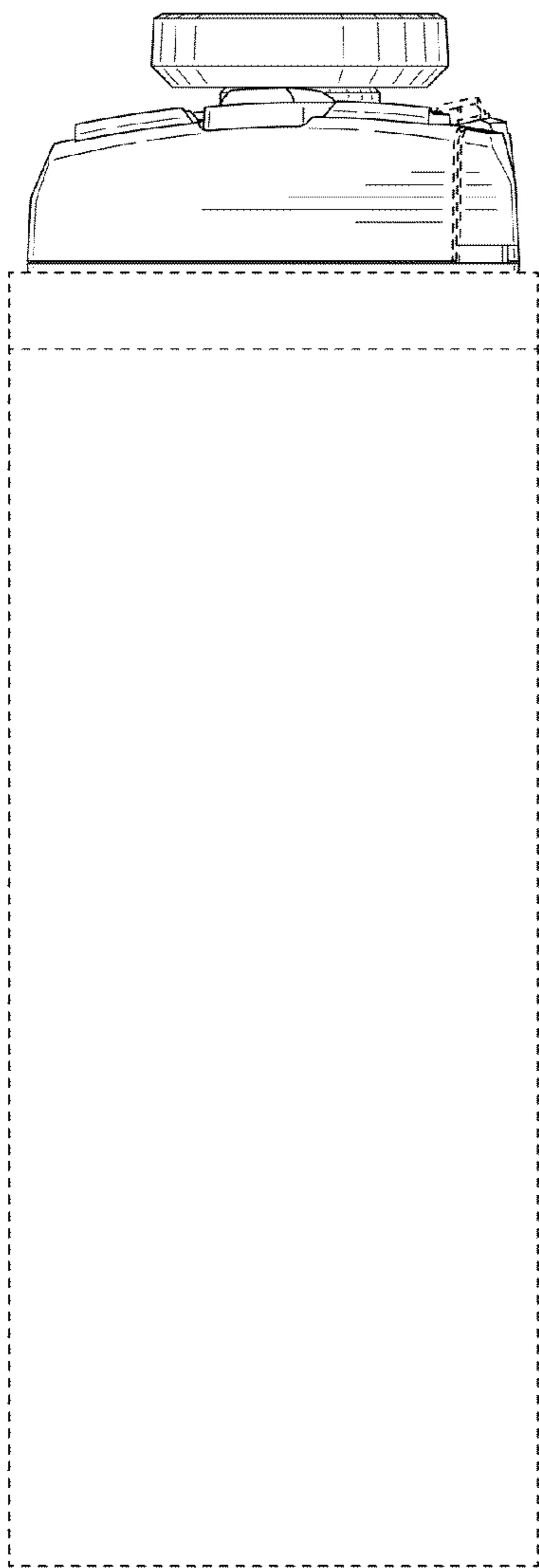


FIG. 4

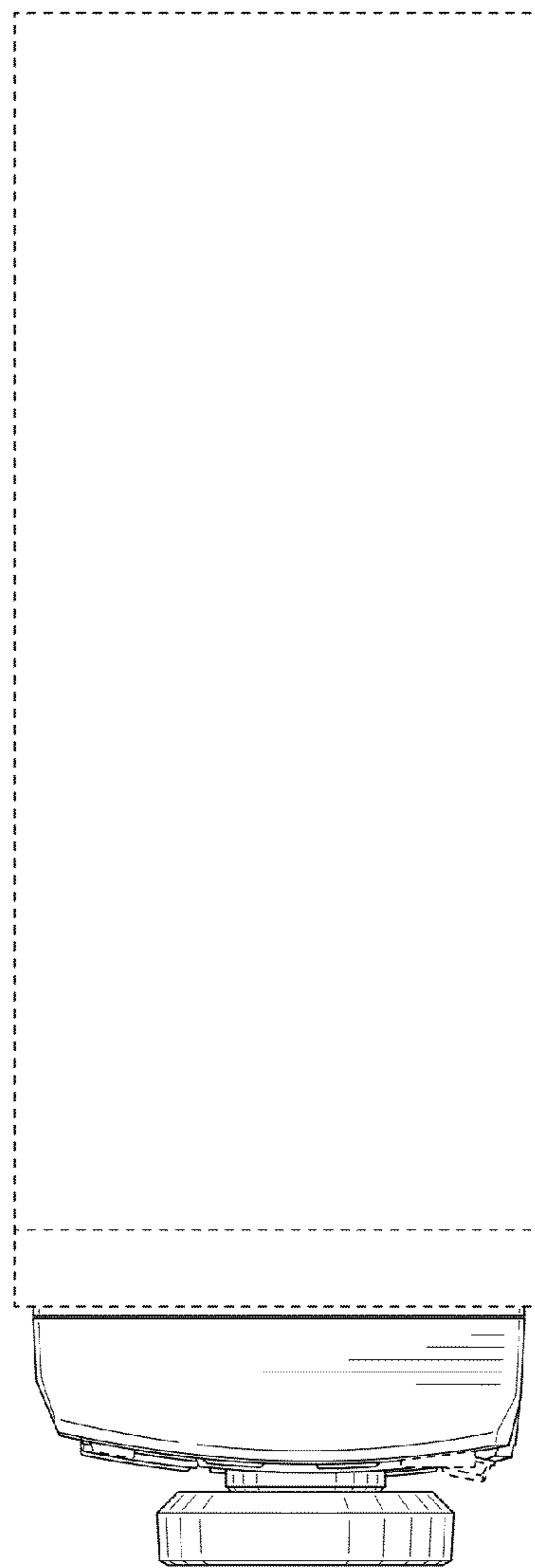


FIG. 5

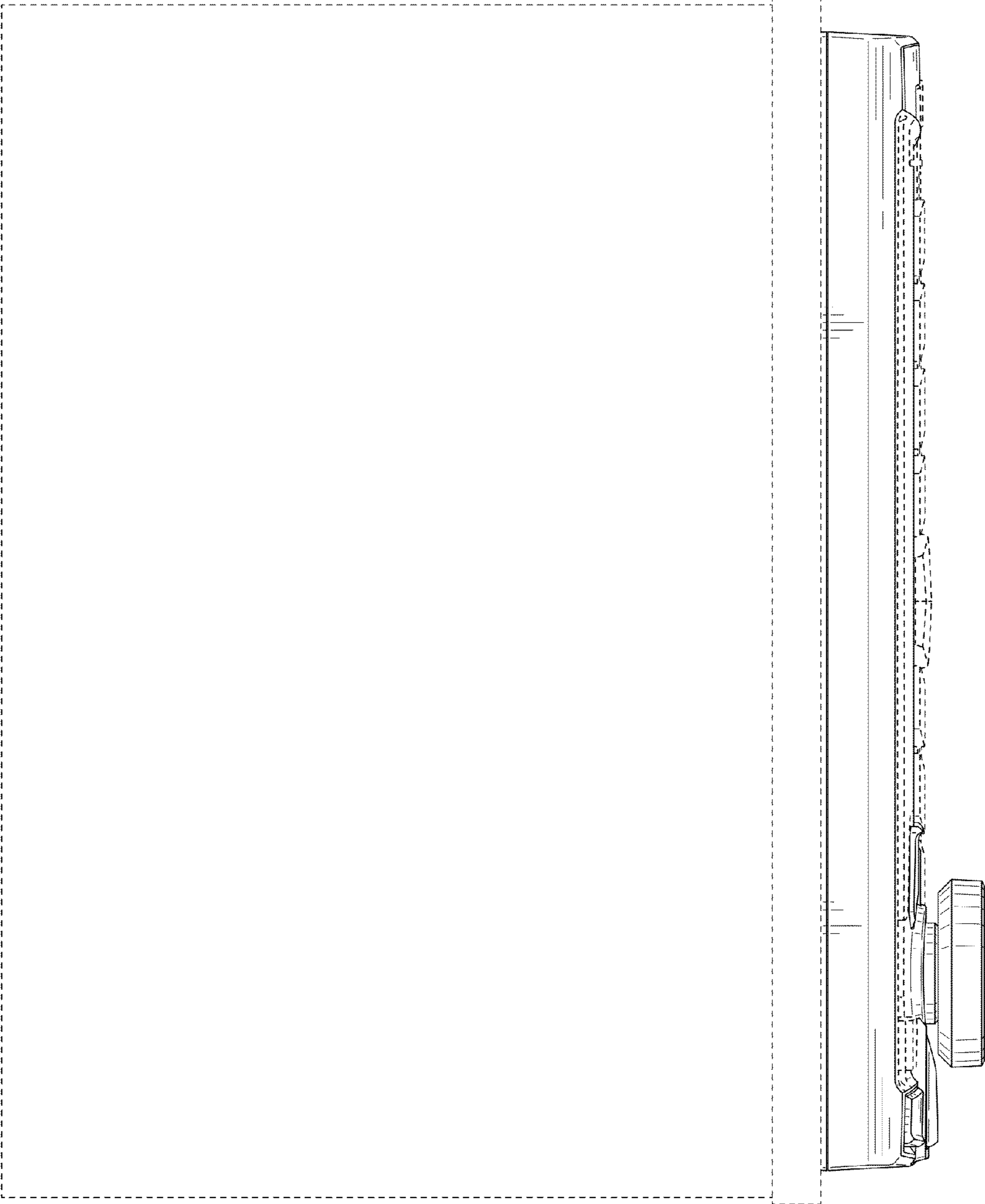


FIG. 6

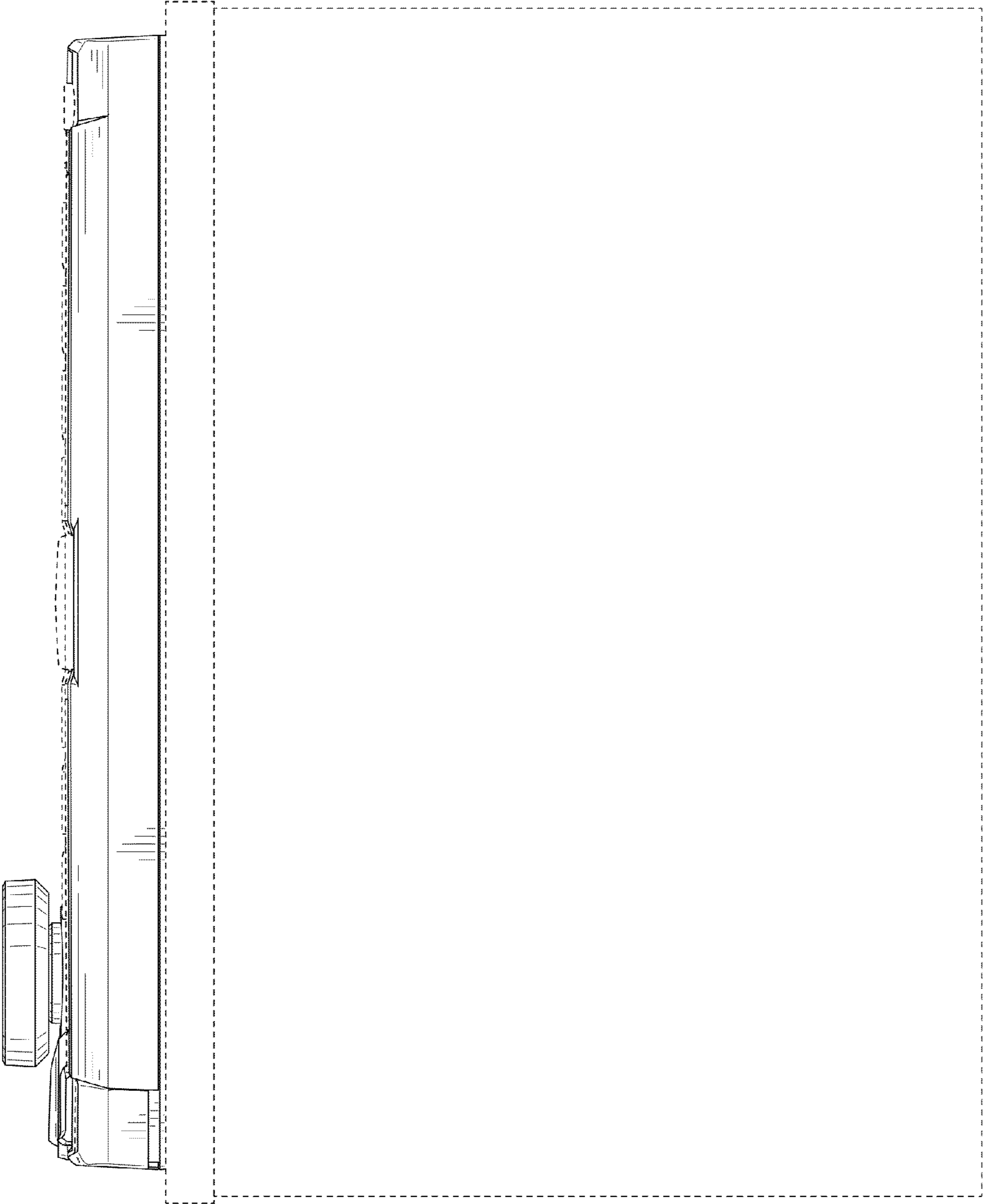


FIG. 7