



US00D744971S

(12) **United States Design Patent**  
**Kamp et al.**

(10) **Patent No.:** **US D744,971 S**  
(45) **Date of Patent:** **\*\* Dec. 8, 2015**

- (54) **MOBILE INFORMATION AND ENTERTAINMENT UNIT**
- (71) Applicant: **Eufina AG**, Zug (CH)
- (72) Inventors: **Hermann Kamp**, Neuss (DE); **Frank Remih**, Zug (CH)
- (73) Assignee: **Eufina AG**, Zug (CH)
- (\*\*) Term: **14 Years**
- (21) Appl. No.: **29/500,374**
- (22) Filed: **Aug. 25, 2014**
- (30) **Foreign Application Priority Data**
  - Feb. 25, 2014 (EP) ..... 0024114470001
  - Feb. 25, 2014 (EP) ..... 0024114470002
  - Feb. 25, 2014 (EP) ..... 0024114470003
  - Feb. 25, 2014 (EP) ..... 0024114470004
- (51) **LOC (10) Cl.** ..... **14-03**
- (52) **U.S. Cl.**  
USPC ..... **D14/129**
- (58) **Field of Classification Search**  
USPC ..... D14/125–134, 239, 371, 136, 374–377,  
D14/440, 450, 448, 336, 342, 159; 312/7.2;  
348/836, 838, 180, 184, 325, 739;  
248/917–924, 465; 345/104, 133, 156,  
345/168, 87, 173; D21/329, 515, 577, 622,  
D21/333, 433, 448, 452, 450, 331, 505;  
D10/15, 26; 446/484, 175, 356;  
D6/477, 479, 300  
CPC ... G06F 1/1601; G06F 1/1643; H05K 5/0004;  
H05K 5/0017; H05K 5/02; H05K 5/0217  
See application file for complete search history.

- (56) **References Cited**  
U.S. PATENT DOCUMENTS
  - 3,942,751 A 3/1976 Fay
  - 4,433,881 A 2/1984 Witten et al.

5,179,447 A	1/1993	Lain	
5,184,601 A	2/1993	Putman	
D338,272 S	8/1993	Cunagin et al.	
5,528,453 A	6/1996	Berman et al.	
5,618,090 A	4/1997	Montague et al.	
5,697,686 A	12/1997	Miller et al.	
D389,917 S	1/1998	Hornback et al.	
D406,894 S	3/1999	Menhennett et al.	
D412,748 S	8/1999	Nabarro	
D416,251 S	11/1999	Rosen	
D430,867 S *	9/2000	Smith et al. ....	D14/308
D457,445 S	5/2002	Schoenfish	
D467,001 S	12/2002	Buczek et al.	
D471,189 S	3/2003	Bradley et al.	
D486,915 S *	2/2004	Warschewske et al. ....	D24/185
7,065,319 B1	6/2006	Hartley	
D552,568 S	10/2007	Harper et al.	
D552,740 S	10/2007	Park	
7,338,054 B2	3/2008	Pint	
D568,481 S	5/2008	Martinson	
7,401,796 B1	7/2008	Greco	
7,665,709 B2	2/2010	Cvek	

(Continued)

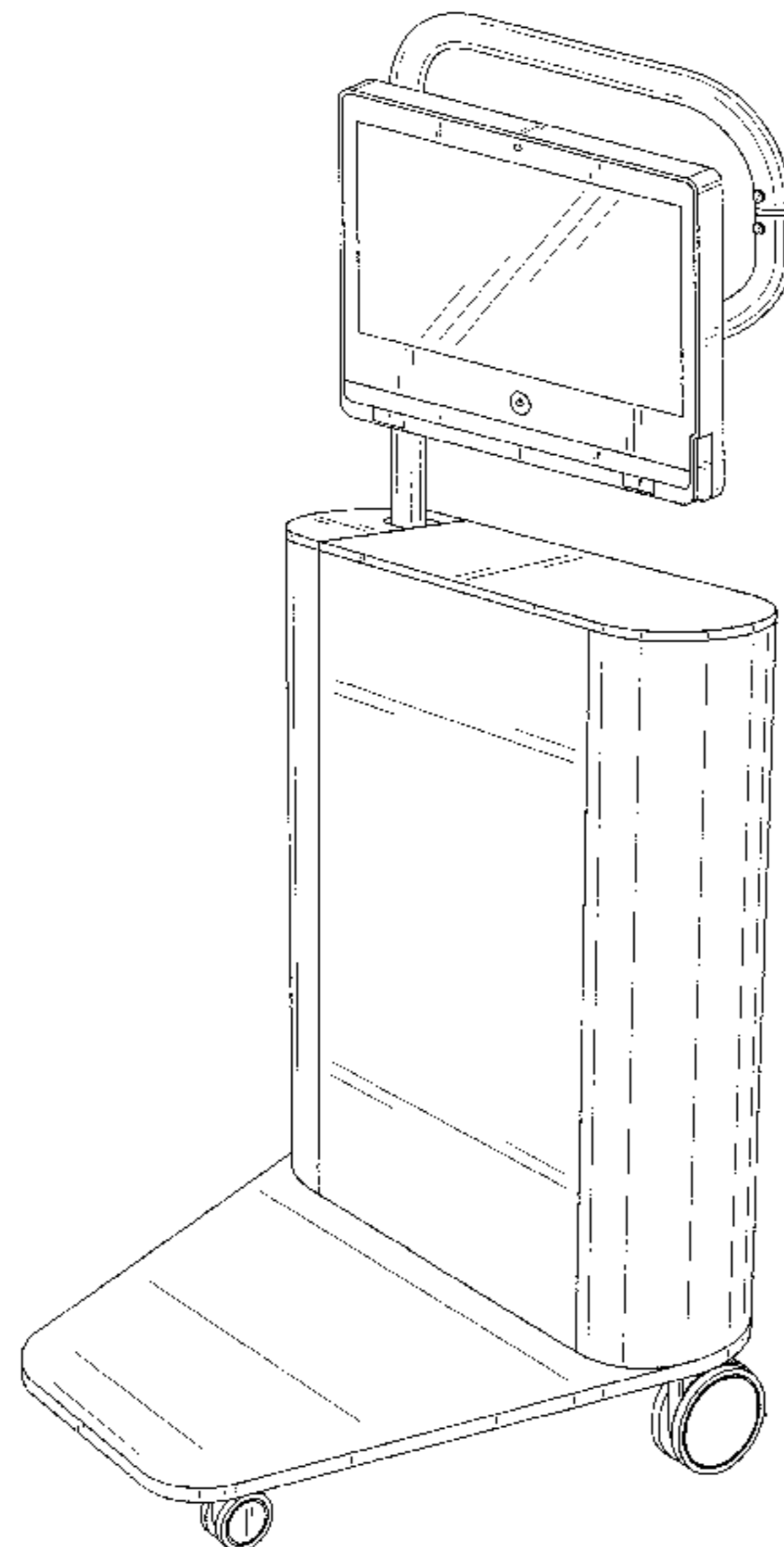
*Primary Examiner* — Raphael Barkai  
(74) *Attorney, Agent, or Firm* — Panitch Schwarze Belisario & Nadel LLP

(57) **CLAIM**  
The ornamental design for a mobile information and entertainment unit, as shown and described.

**DESCRIPTION**

FIG. 1 is a perspective view of the mobile information and entertainment unit;  
FIG. 2 is a front elevational view thereof;  
FIG. 3 is a rear elevational view thereof;  
FIG. 4 is a left side elevational view thereof;  
FIG. 5 is a right side elevational view thereof;  
FIG. 6 is a top plan view thereof; and,  
FIG. 7 is a bottom plan view thereof.

**1 Claim, 7 Drawing Sheets**



(56)

**References Cited**

U.S. PATENT DOCUMENTS

7,748,328	B2	7/2010	Horton	2003/0058372	A1	3/2003	Williams et al.
7,864,512	B2	1/2011	Kirschner et al.	2004/0090154	A1	5/2004	Chang
7,911,349	B2	3/2011	Zerhusen et al.	2006/0075550	A1	4/2006	Hanson
8,245,652	B2	8/2012	Hung	2006/0150869	A1	7/2006	Cvek
8,286,977	B2	10/2012	Butler et al.	2008/0169734	A1	7/2008	Bartels
8,596,728	B2	12/2013	Rozestraten	2008/0250985	A1	10/2008	Hall
D720,317	S *	12/2014	Kamp et al. ....	2008/0255448	A1	10/2008	Zhu et al.
D731,995	S *	6/2015	Kamp et al. ....	2010/0148458	A1	6/2010	Ross et al.
2001/0034530	A1	10/2001	Malackowski et al.	2012/0260830	A1	10/2012	Luiten
				2014/0001929	A1	1/2014	Remih
				2014/0265752	A1	9/2014	Caine et al.

\* cited by examiner

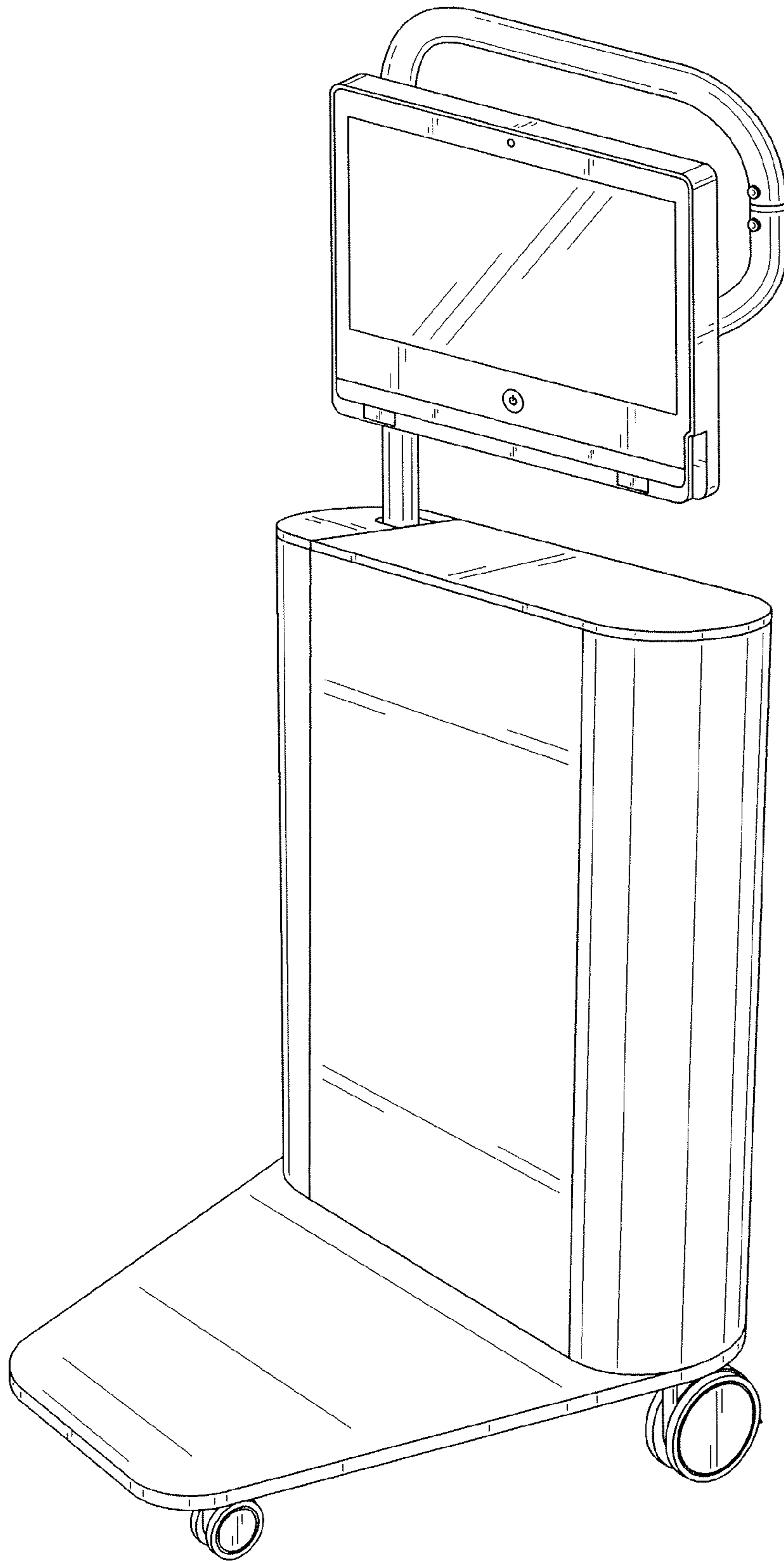


FIG. 1

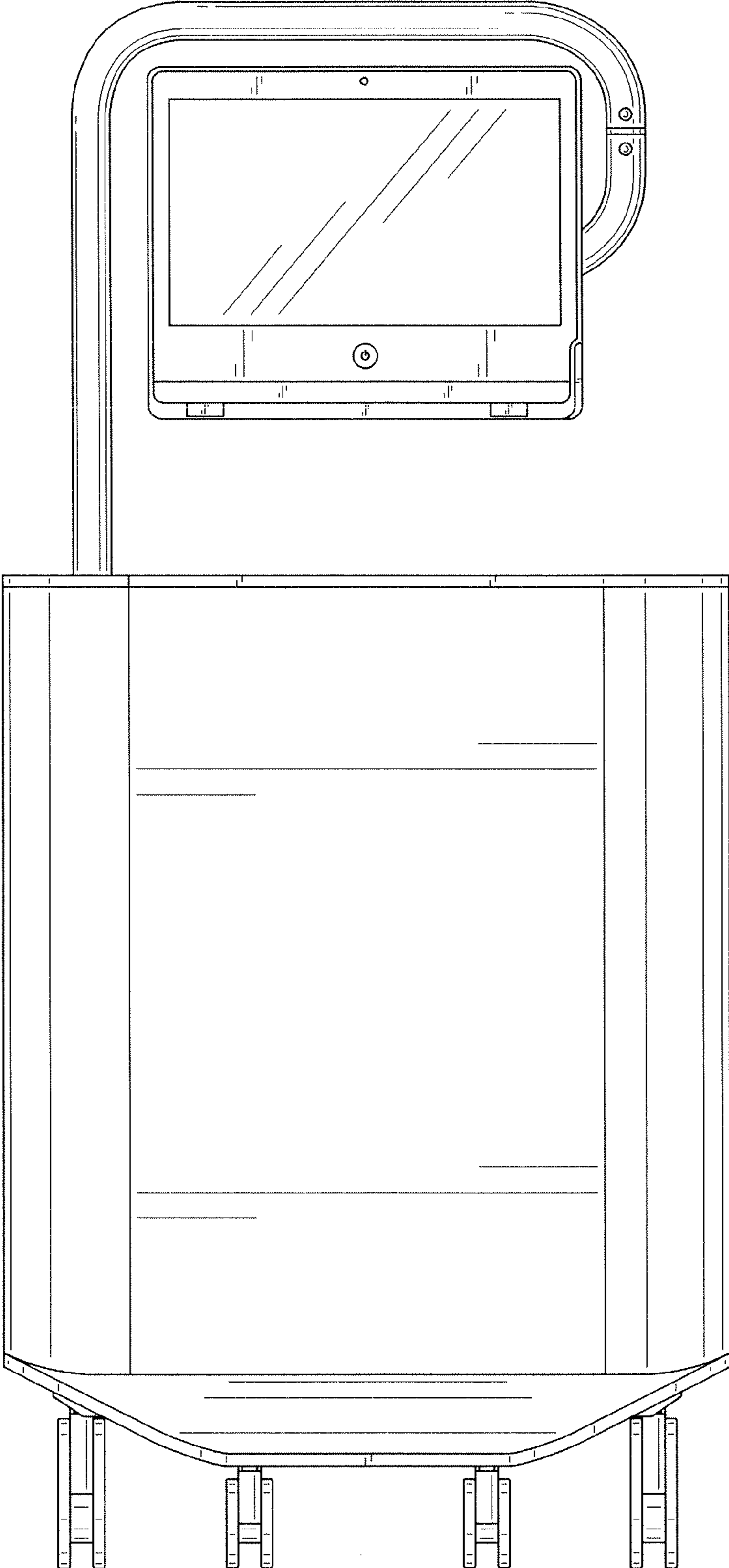


FIG. 2

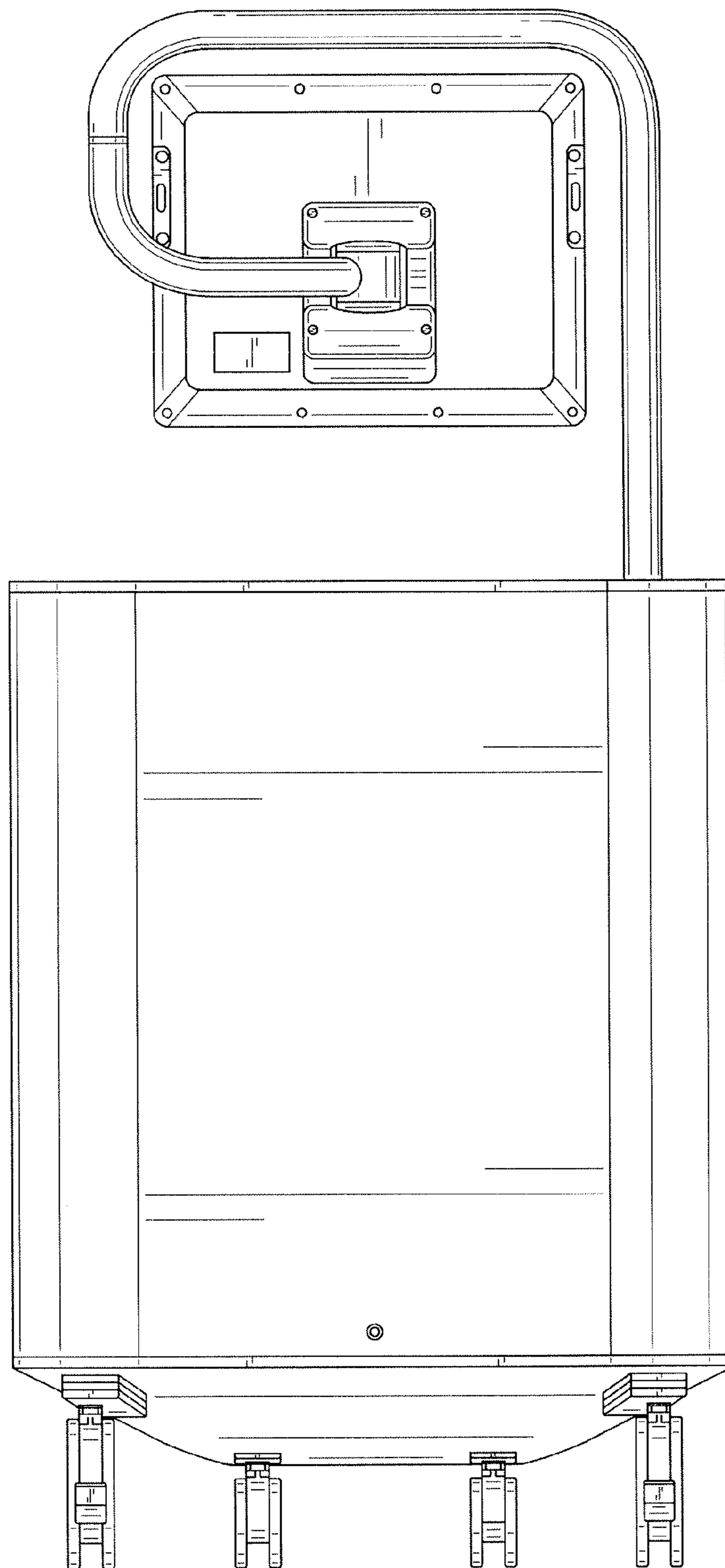


FIG. 3



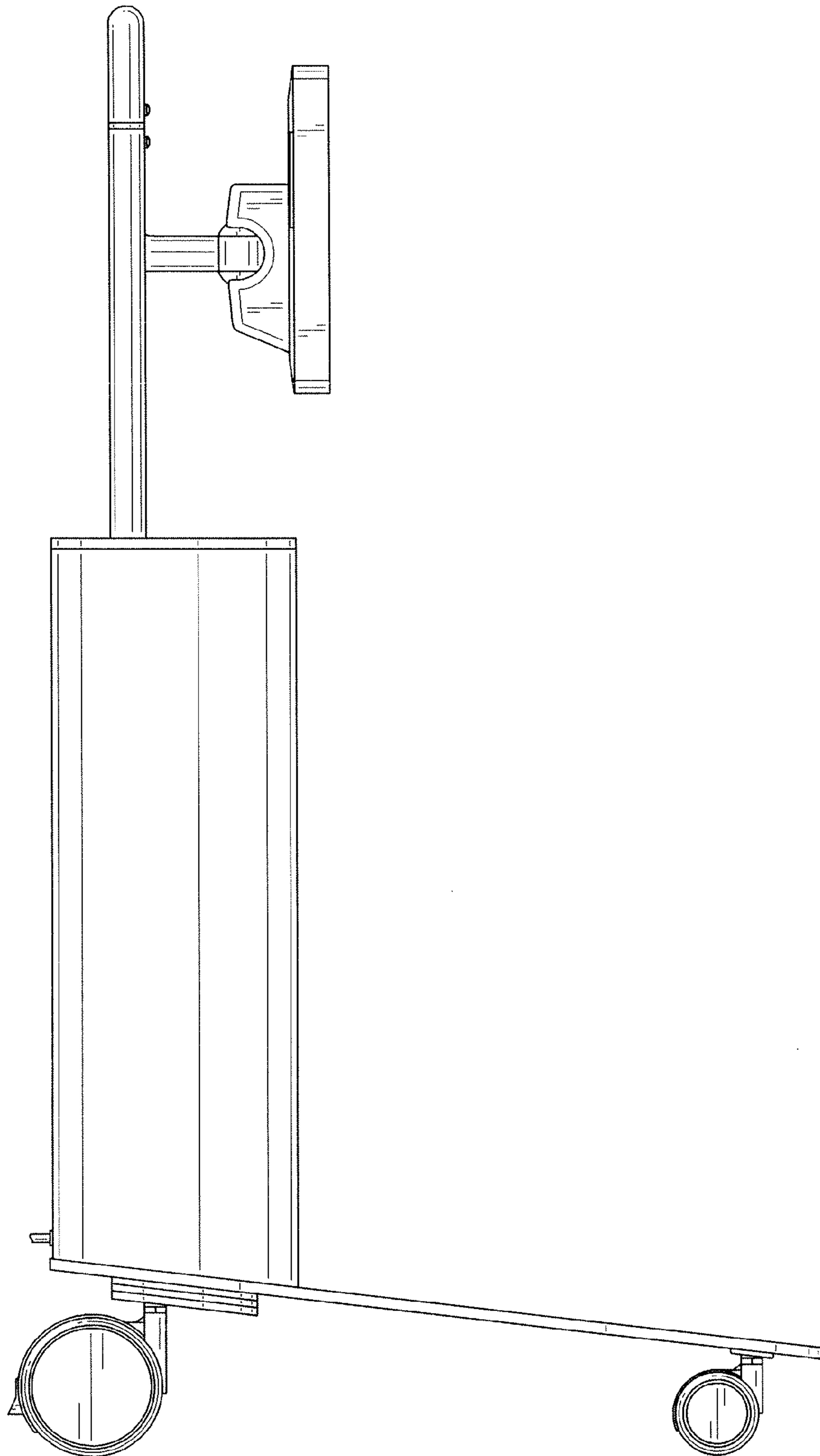


FIG. 4

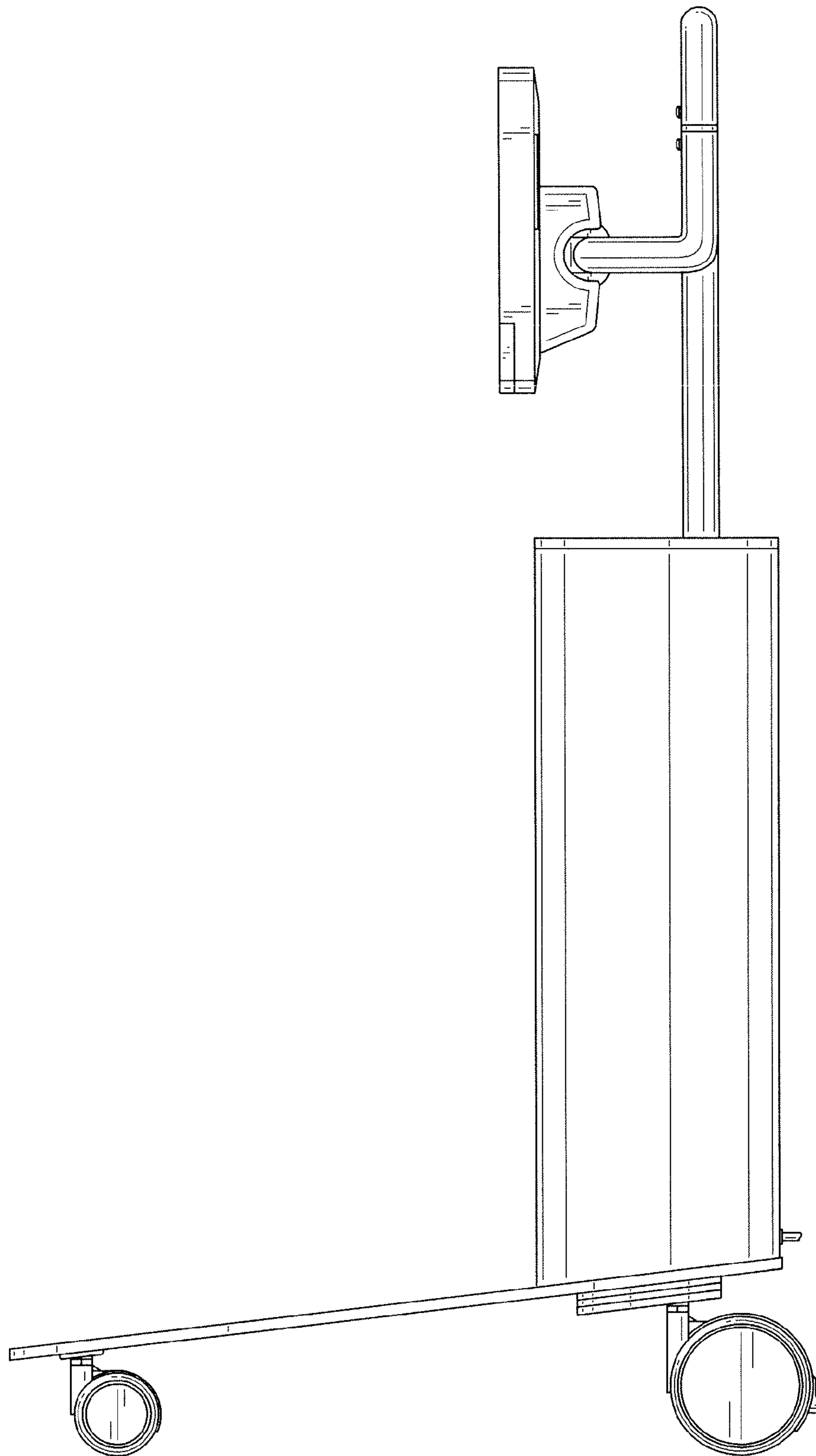


FIG. 5

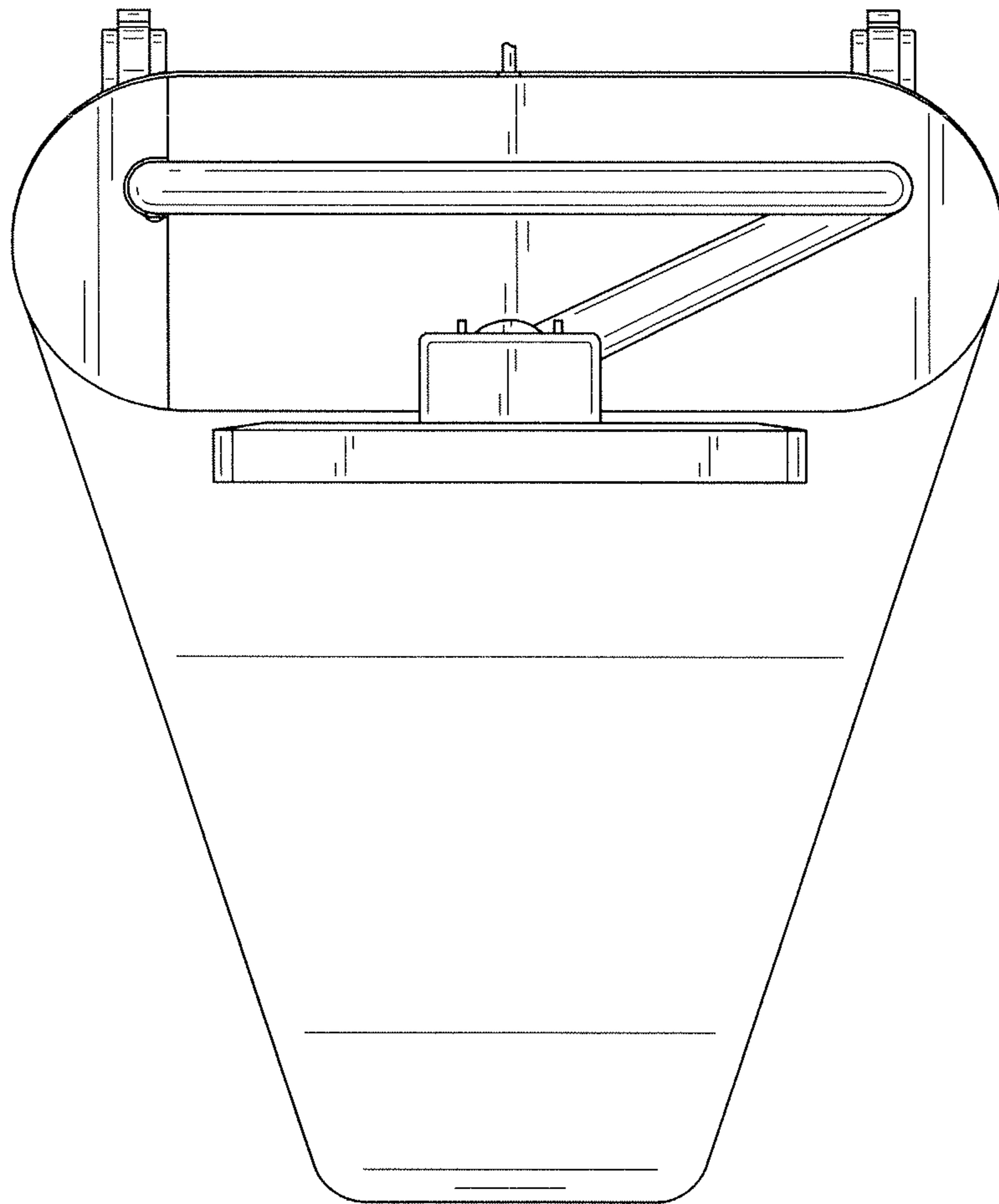


FIG. 6



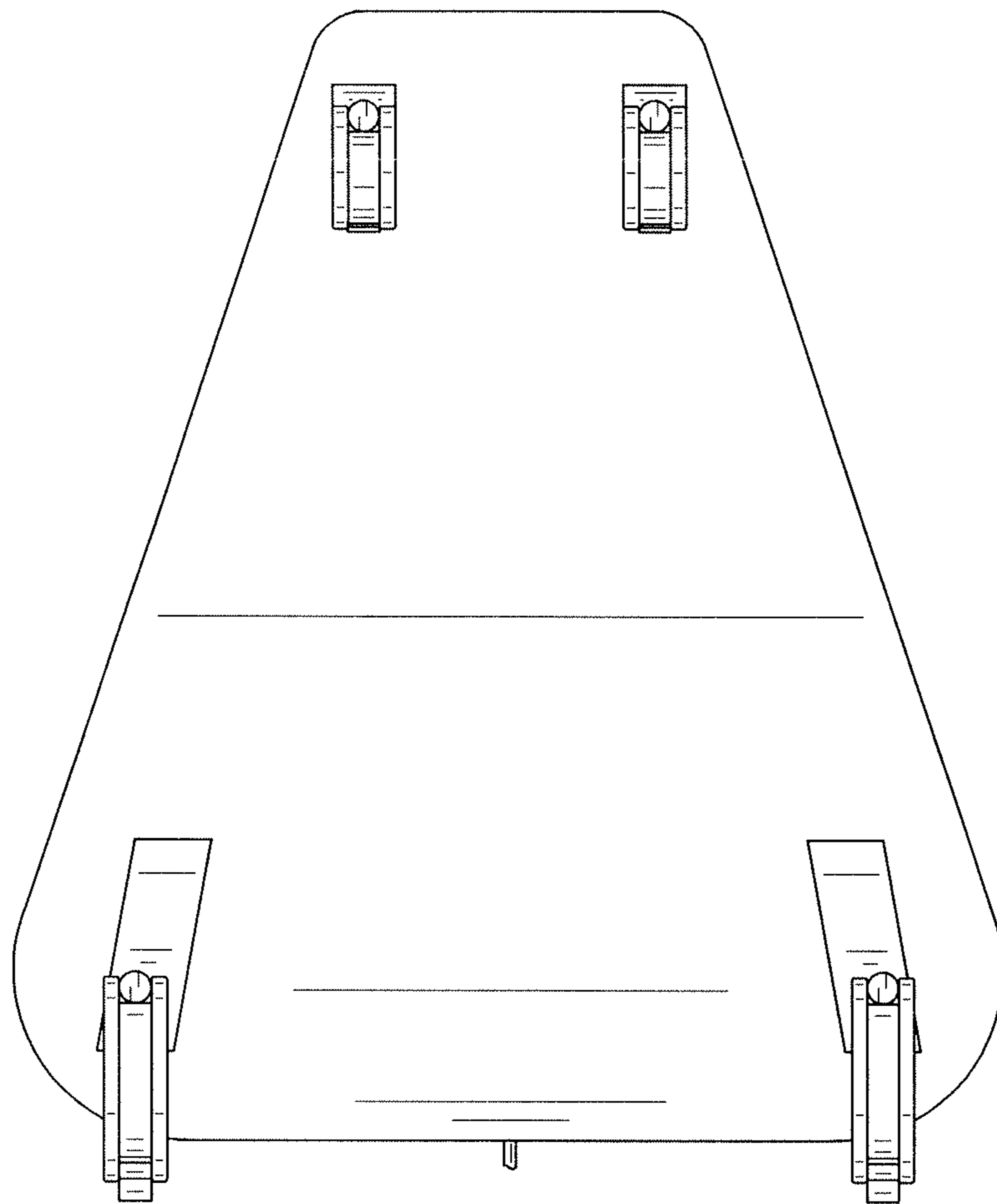


FIG. 7