



US00D744963S

(12) **United States Design Patent**
Tseng et al.

(10) **Patent No.:** **US D744,963 S**

(45) **Date of Patent:** **** Dec. 8, 2015**

(54) **LED MODULE**

(71) Applicant: **Xicato, Inc.**, San Jose, CA (US)

(72) Inventors: **Peter K. Tseng**, San Jose, CA (US);
Matthew E. Lausmann, Roseville, CA (US)

(73) Assignee: **Xicato, Inc.**, San Jose, CA (US)

(**) Term: **14 Years**

(21) Appl. No.: **29/486,695**

(22) Filed: **Apr. 1, 2014**

(51) **LOC (10) Cl.** **13-03**

(52) **U.S. Cl.**
USPC **D13/180; D26/1**

(58) **Field of Classification Search**
USPC D13/180; D26/1
CPC ... H01L 25/167; H01L 25/0753; H01L 27/15;
H01L 27/156; H01L 31/02; H01L 33/00;
H01L 33/04; H01L 33/08; H01L 33/10;
H01L 33/20; H01L 33/38; H01L 33/42;
H01L 33/48; H01L 33/483; H01L 33/486;
F21K 9/00; F21K 9/30; F21K 9/54; F21V
15/01

See application file for complete search history.

(56) **References Cited**

U.S. PATENT DOCUMENTS

D508,291 S	8/2005	Janssen	
D512,694 S	12/2005	Kim et al.	
D548,857 S	8/2007	Egawa	
D563,333 S	3/2008	Kim	
D568,832 S *	5/2008	Kang et al.	D13/180
7,479,660 B2	1/2009	Kobilke	
D589,470 S	3/2009	Chen	
D598,873 S	8/2009	Tseng	
D600,836 S	9/2009	Hanley et al.	
D625,847 S	10/2010	Maglica	
D626,255 S	10/2010	Hiratsuka	

D666,333 S *	8/2012	Kim et al.	D26/2
D691,744 S	10/2013	Tseng	
8,684,568 B2 *	4/2014	Nagaoka et al.	362/374
8,690,389 B2 *	4/2014	Zaderej	362/249.02
8,773,007 B2 *	7/2014	Van De Ven et al.	313/318.01
8,783,938 B2 *	7/2014	Alexander et al.	362/655
8,858,045 B2 *	10/2014	Harbers et al.	362/433
D728,129 S *	4/2015	Kreuzbichler	D26/1
D731,988 S *	6/2015	Urtiga et al.	D13/180
2006/0169999 A1	8/2006	Park et al.	
2006/0180824 A1	8/2006	Kim et al.	

(Continued)

OTHER PUBLICATIONS

Notice of Allowance mailed on Jun. 22, 2009 by Examiner Sikder for Design U.S. Appl. No. 29/328,093, filed Nov. 18, 2008 by Xicato, Inc., 8 pages.

(Continued)

Primary Examiner — Selina Sikder

(74) *Attorney, Agent, or Firm* — Silicon Valley Patent Group LLP

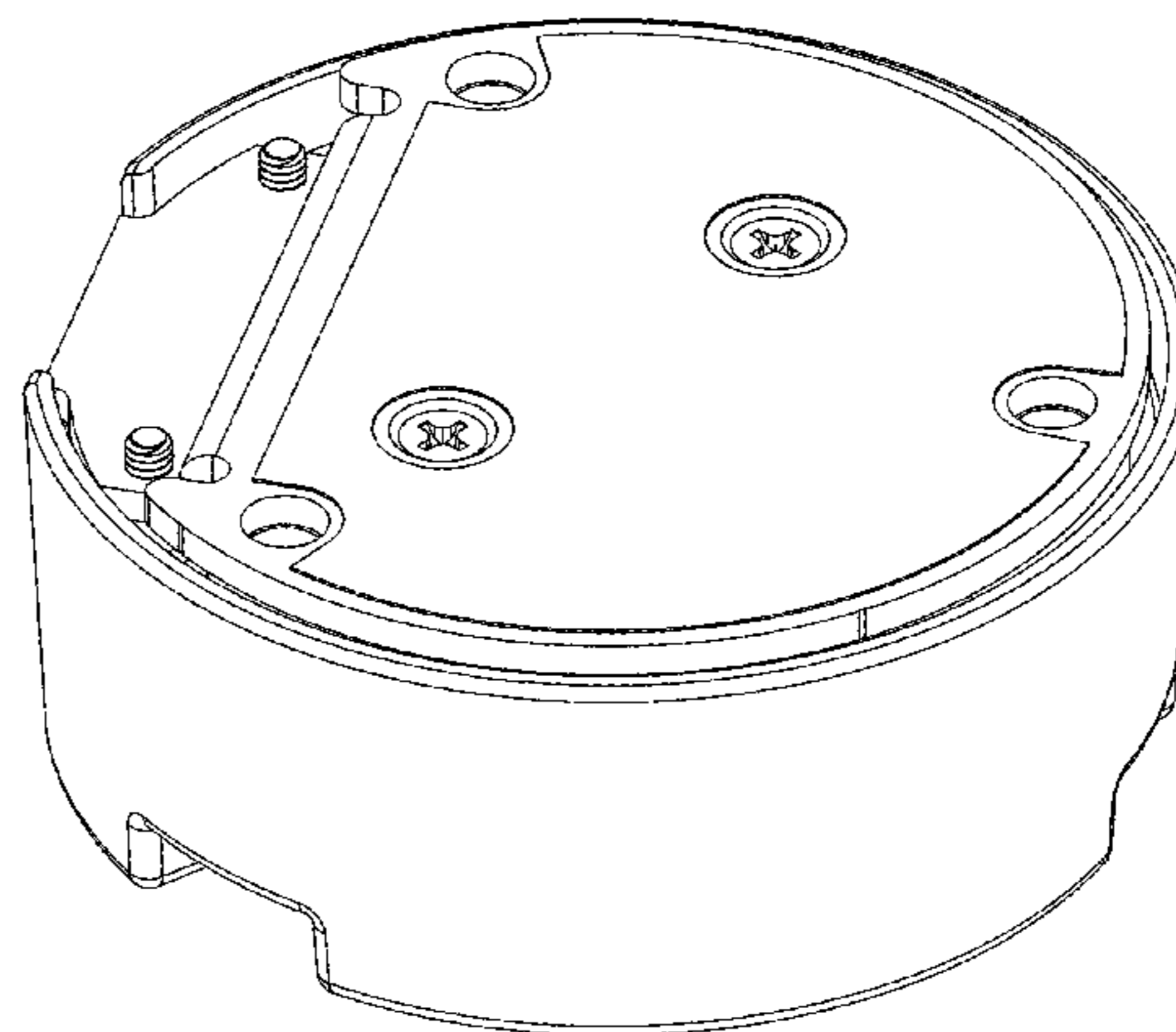
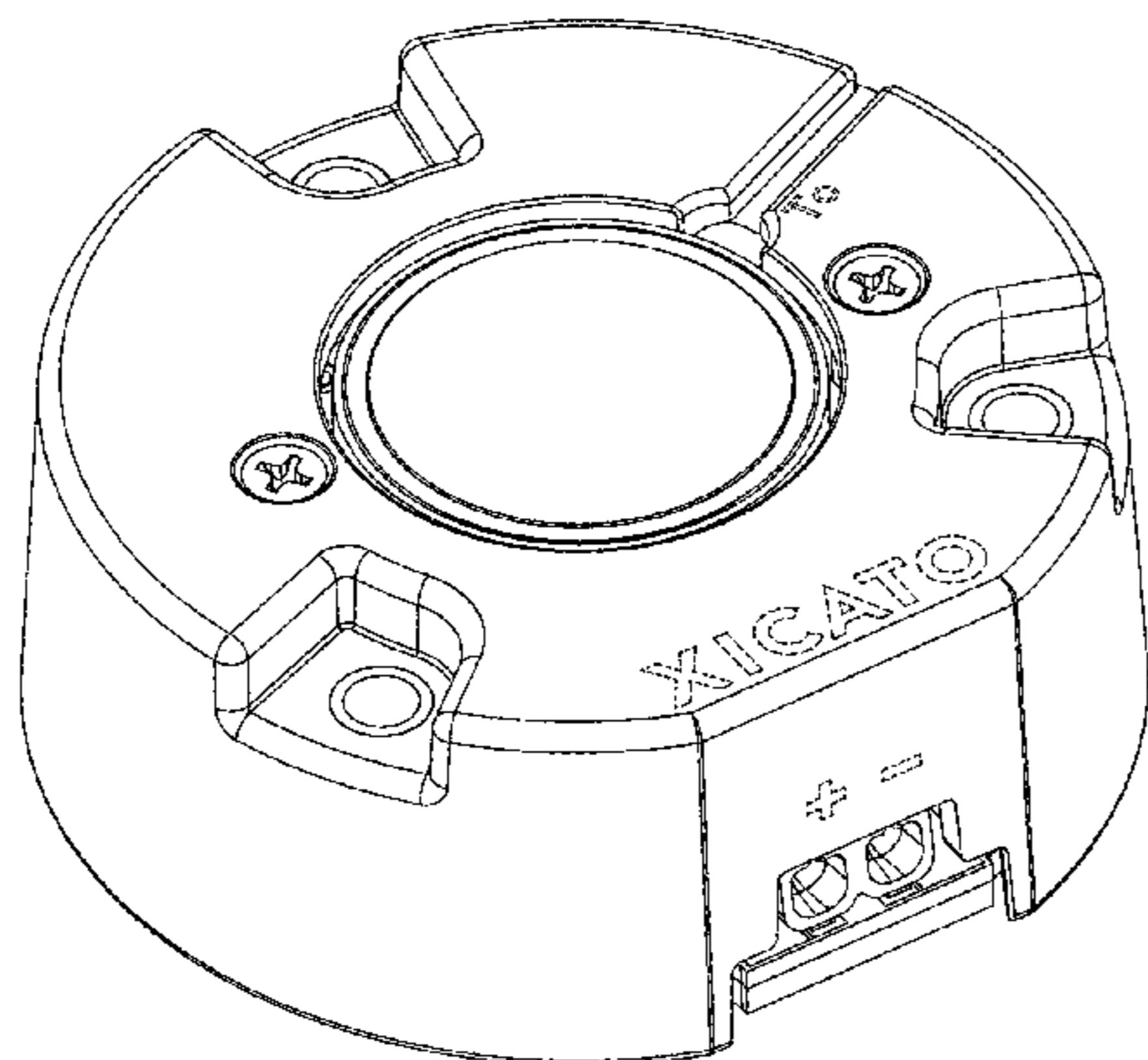
(57) **CLAIM**

The ornamental design for a LED module, as shown and described.

DESCRIPTION

FIG. 1 is a top plan view of a LED module showing my new design;
FIG. 2 is a front elevational view thereof;
FIG. 3 is a right elevational view thereof;
FIG. 4 is a left elevational view thereof;
FIG. 5 is a back elevational view thereof; and
FIG. 6 is a bottom plan view thereof.
FIG. 7 is a top right perspective view thereof;
FIG. 8 is a top left perspective view thereof; and,
FIG. 9 is a bottom perspective view thereof.
The broken lines shown in the drawing views are for illustrative purposes only and forms no part of the claimed design.

1 Claim, 5 Drawing Sheets



(56)

References Cited

U.S. PATENT DOCUMENTS

2008/0217643 A1 9/2008 Lin et al.
 2010/0127282 A1* 5/2010 Harbers et al. 257/89
 2010/0208474 A1* 8/2010 Hancock et al. 362/375
 2011/0193111 A1* 8/2011 Seo et al. 257/89
 2011/0316420 A1* 12/2011 Chang et al. 315/51
 2012/0038293 A1* 2/2012 Guerrieri et al. 315/313
 2012/0051068 A1* 3/2012 Pelton et al. 362/373
 2012/0099328 A1* 4/2012 Miyashita et al. 362/311.05
 2012/0127739 A1* 5/2012 Takahara et al. 362/373
 2013/0272016 A1* 10/2013 Weaver 362/555
 2013/0343034 A1* 12/2013 Harbers et al. 362/84
 2014/0218933 A1* 8/2014 Feng et al. 362/296.01
 2014/0268832 A1* 9/2014 Goto et al. 362/382
 2014/0321117 A1* 10/2014 Farmer 362/235
 2015/0009670 A1* 1/2015 Van De Ven et al. 362/249.02
 2015/0023011 A1* 1/2015 Takei 362/231

2015/0078017 A1* 3/2015 Frost et al. 362/382
 2015/0124455 A1* 5/2015 Tamura et al. 362/293
 2015/0131299 A1* 5/2015 Meyer et al. 362/373

OTHER PUBLICATIONS

Amendment after Notice of Allowance mailed on Jul. 14, 2009 for Design U.S. Appl. No. 29/328,093, filed Nov. 18, 2008 by Xicato, Inc., 4 pages.

Notice of Allowance mailed on Aug. 16, 2013 by Examiner Jackson for Design U.S. Appl. No. 29/416,035, filed Mar. 16, 2012 by Xicato, Inc., 11 pages.

Amendment after Notice of Allowance mailed on Aug. 27, 2013 by for Design U.S. Appl. No. 29/416,035, filed Mar. 16, 2012 by Xicato, Inc., 6 pages.

Design U.S. Appl. No. 29/486,696, filed Apr. 1, 2014 by Xicato, Inc., 6 pages.

* cited by examiner



FIG. 1

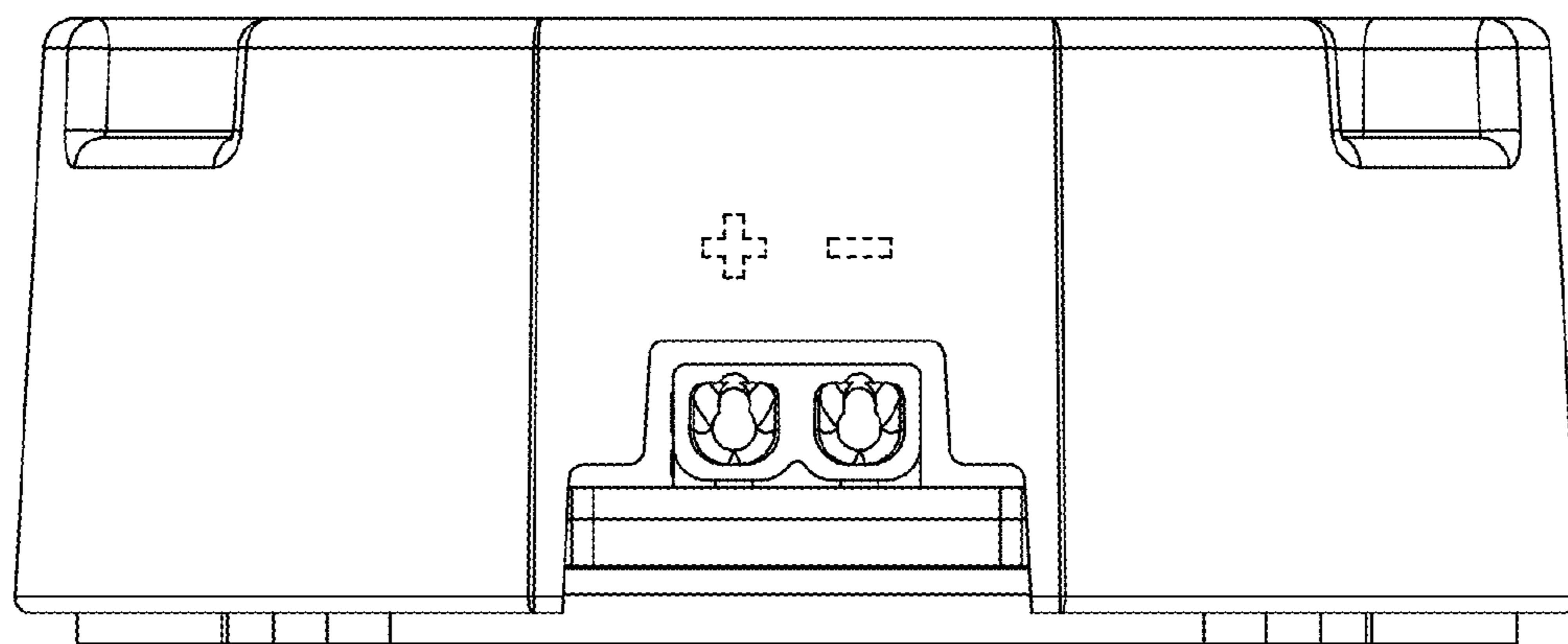


FIG. 2

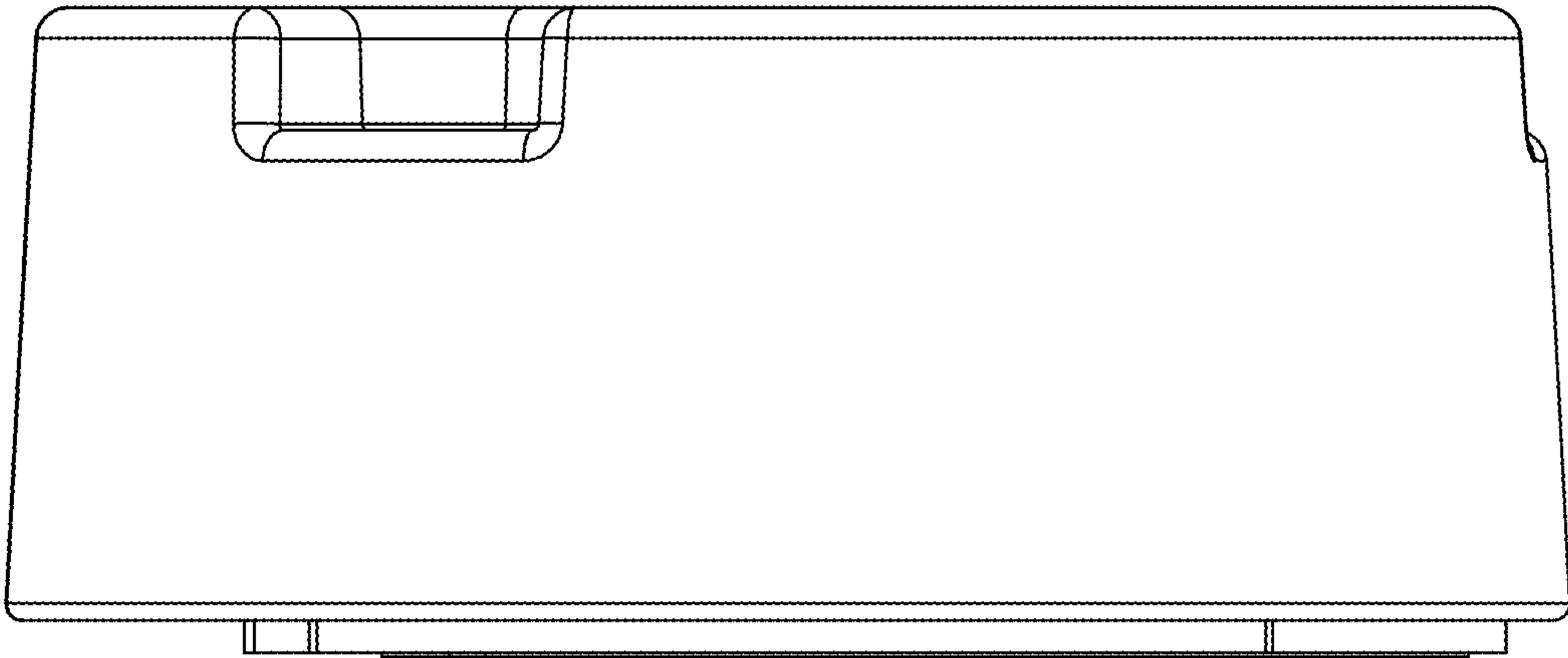


FIG. 3

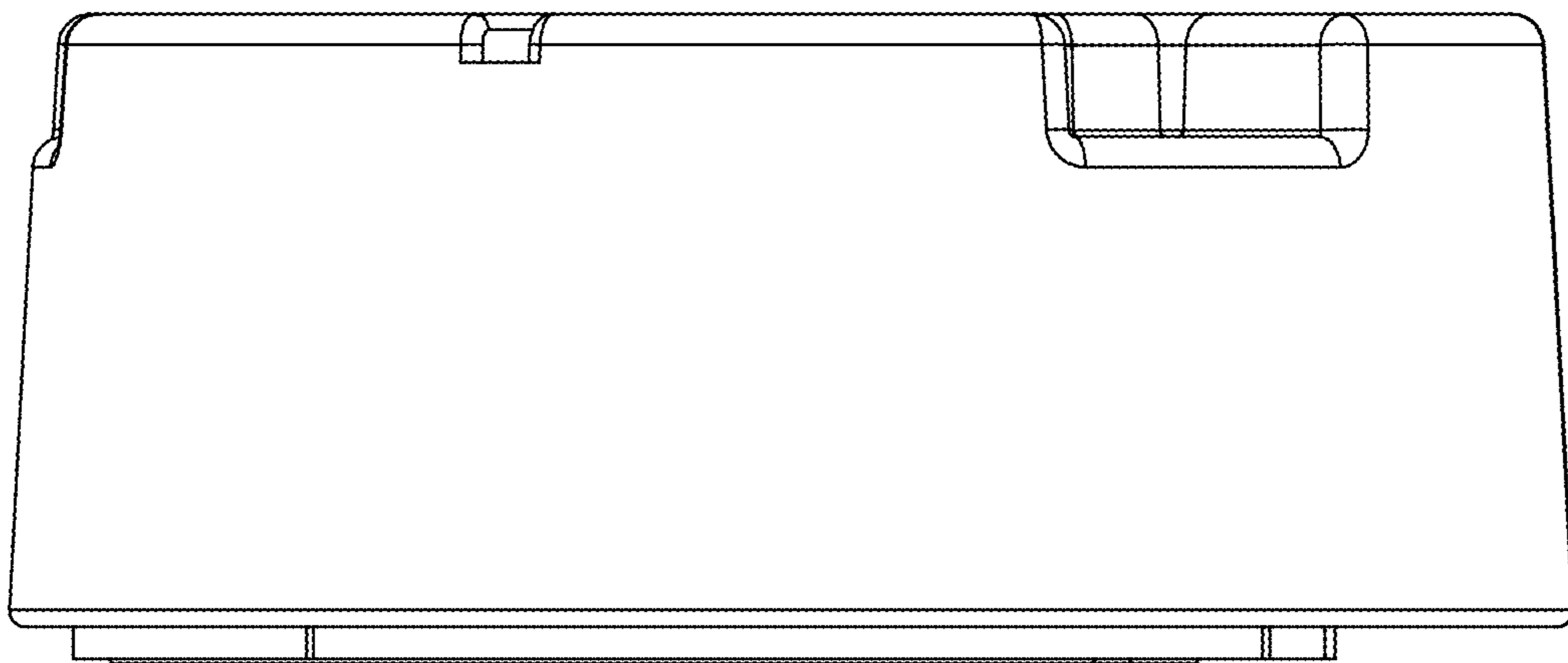


FIG. 4

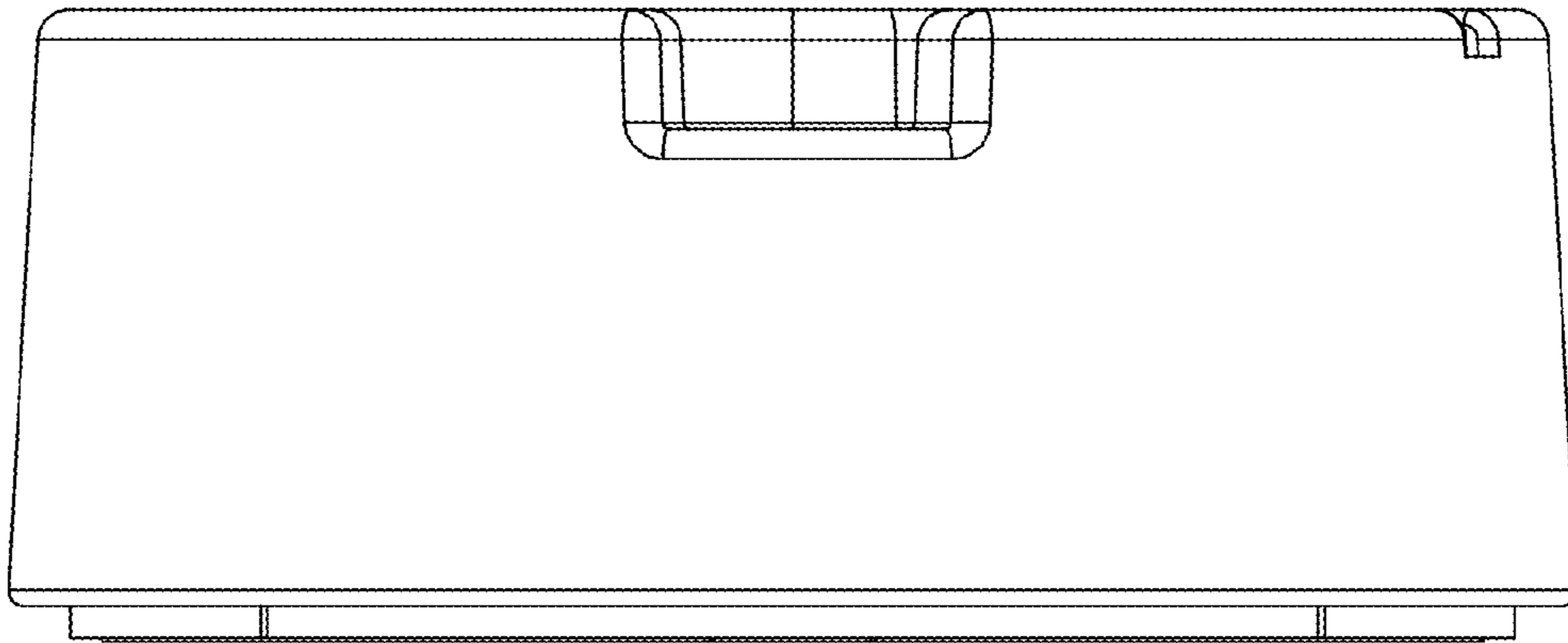


FIG. 5

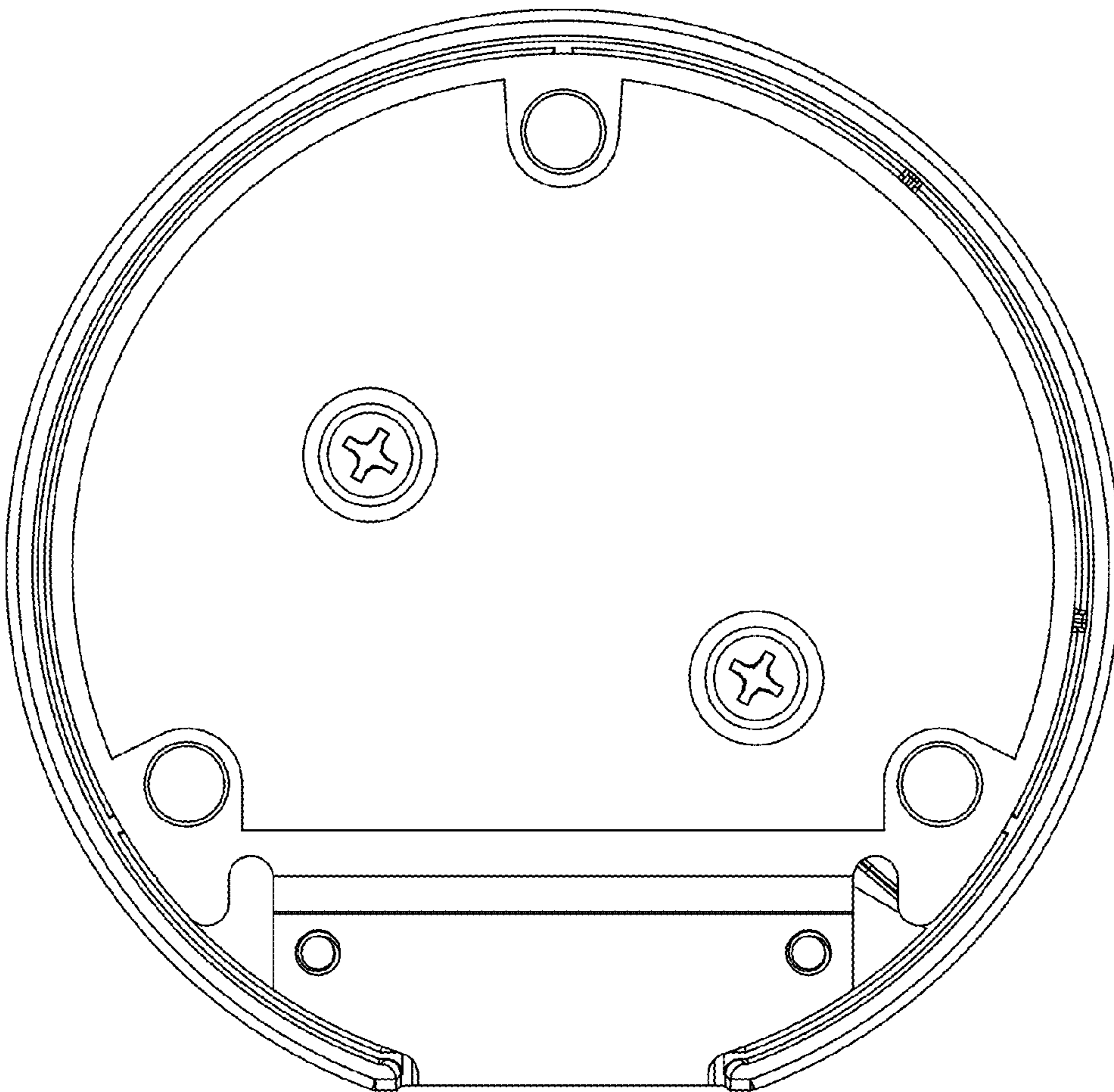


FIG. 6

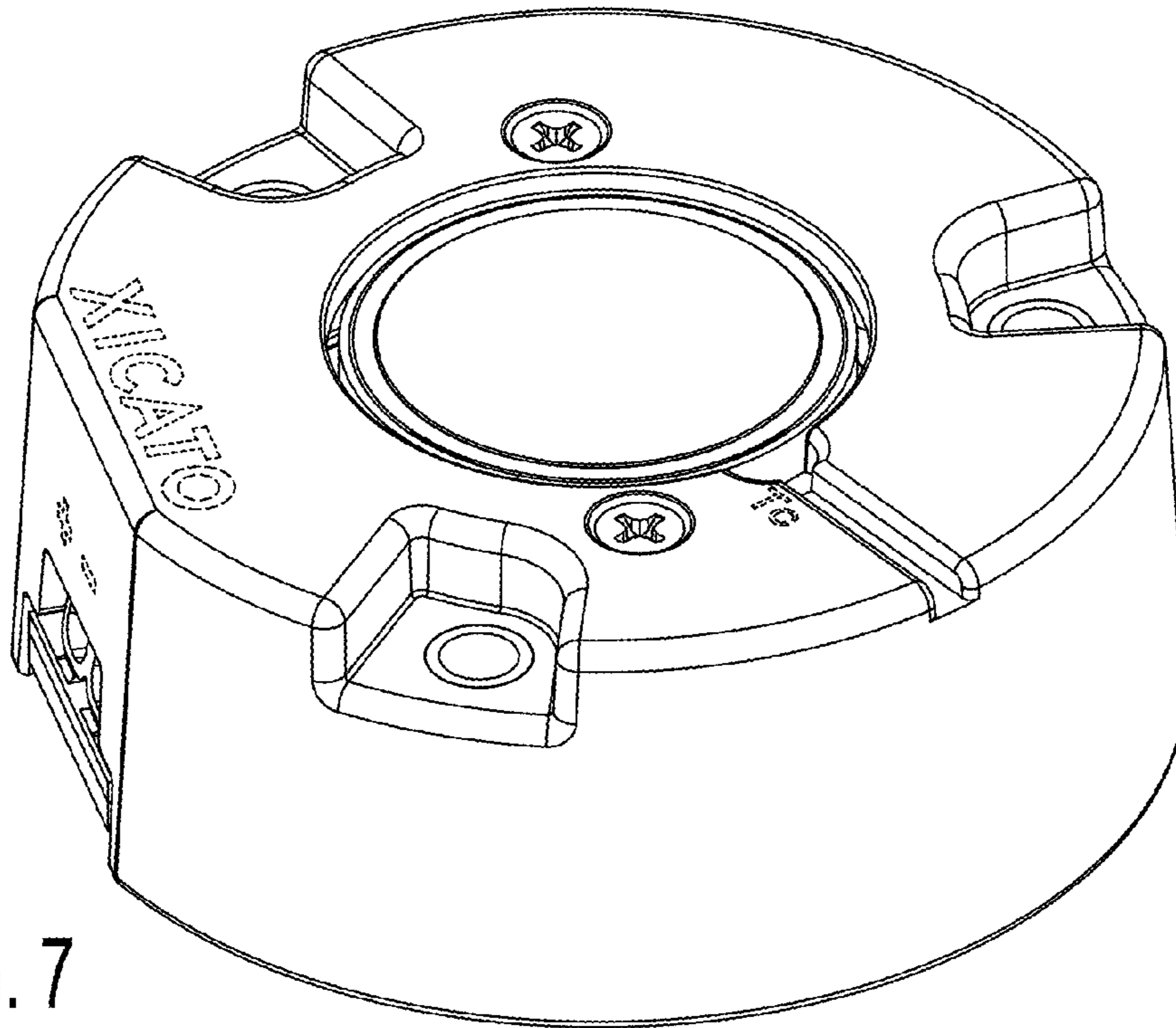


FIG. 7

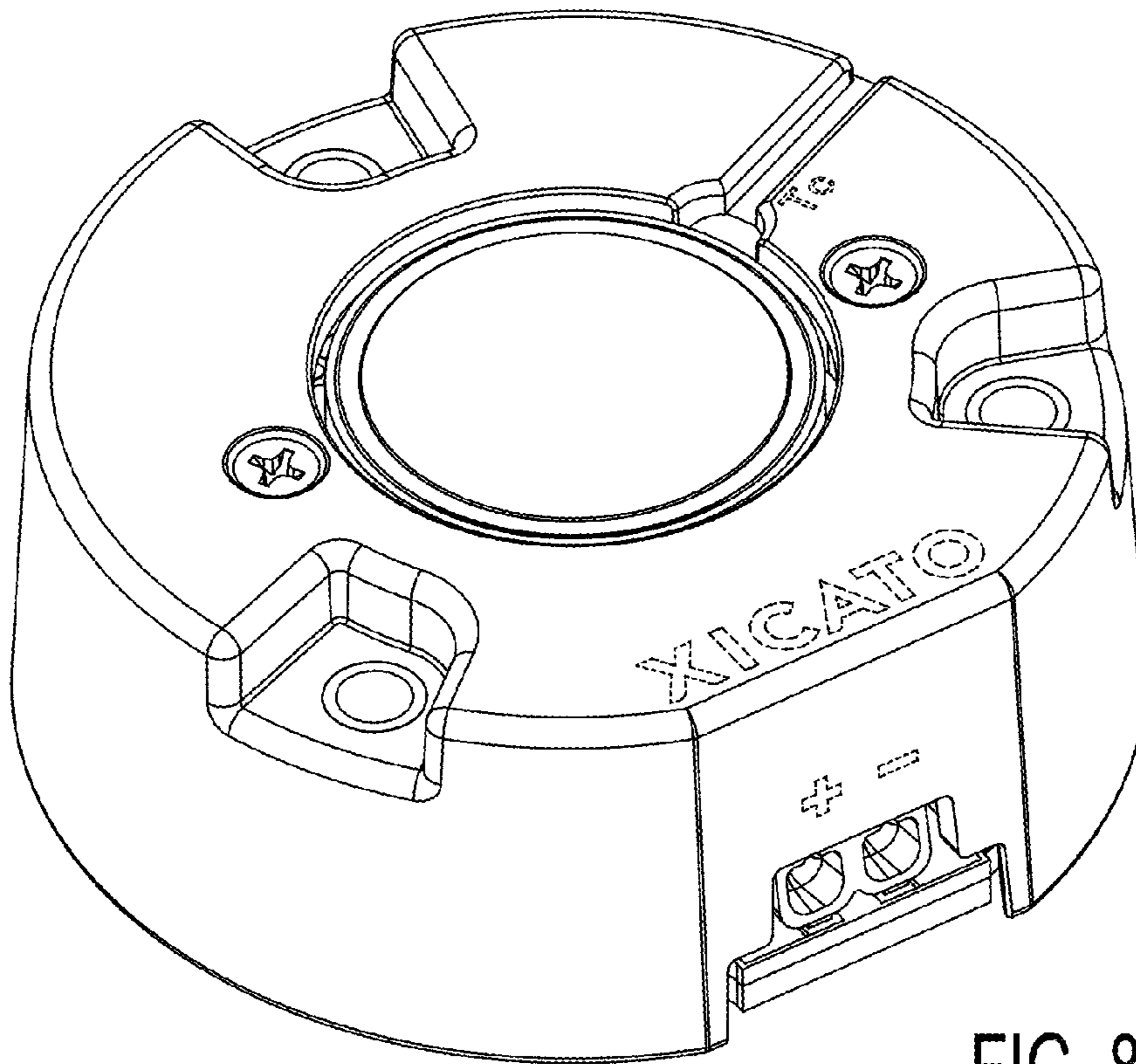


FIG. 8

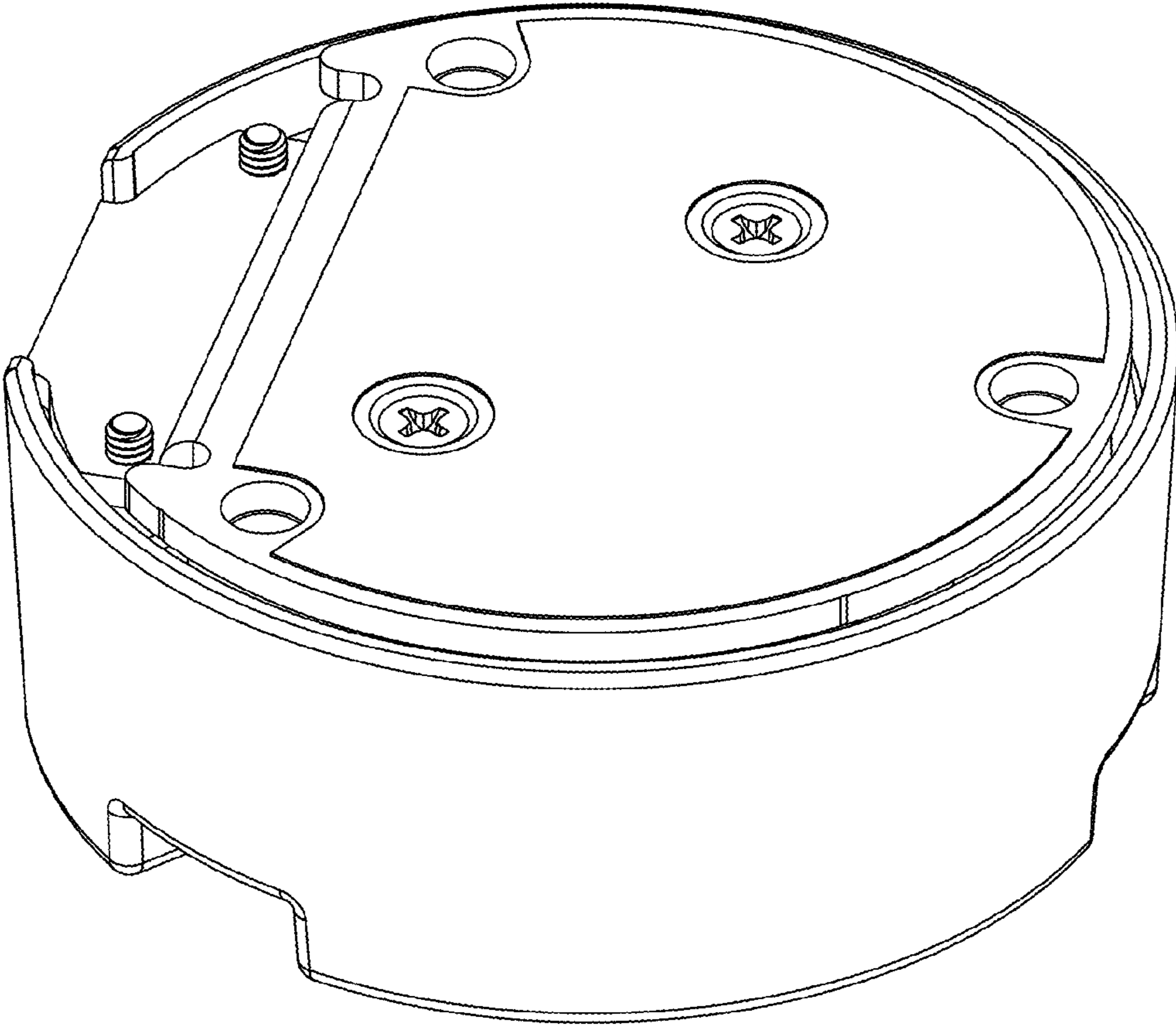


FIG. 9