



US00D744961S

(12) **United States Design Patent**  
**Franchini**

(10) **Patent No.:** **US D744,961 S**

(45) **Date of Patent:** **\*\* Dec. 8, 2015**

(54) **CONTROL UNIT FOR IRRIGATION SYSTEM**

(71) Applicant: **Claber S.p.A.**, Fiume Veneto (IT)

(72) Inventor: **Gaetano Franchini**, Fiume Veneto (IT)

(73) Assignee: **CLABER S.P.A.**, Fiume Veneto (PN)  
(IT)

(\*\*) Term: **14 Years**

(21) Appl. No.: **29/507,466**

(22) Filed: **Oct. 28, 2014**

(30) **Foreign Application Priority Data**

Apr. 30, 2014 (EM) ..... 002456418

(51) **LOC (10) Cl.** ..... **13-03**

(52) **U.S. Cl.**  
USPC ..... **D13/162.1; D13/162; D10/40**

(58) **Field of Classification Search**  
USPC ..... D13/162, 162.1, 164, 168; D14/218;  
D10/49, 50  
CPC ... A01G 25/16; A01G 25/165; A01G 25/167;  
G05B 19/02; G05B 19/04; G05B 19/042;  
G05B 19/0423; G05B 19/0426; Y10T  
137/86389

See application file for complete search history.

(56) **References Cited**

**U.S. PATENT DOCUMENTS**

4,633,905 A \* 1/1987 Wang ..... 137/624.11  
4,807,664 A \* 2/1989 Wilson et al. .... 137/624.11  
D304,224 S \* 10/1989 Wilson et al. .... D23/245  
5,101,859 A \* 4/1992 Roman ..... 137/624.18  
5,135,168 A \* 8/1992 Wang ..... 239/70

5,826,619 A \* 10/1998 Roman ..... 137/624.11  
D430,044 S \* 8/2000 Clivio ..... D10/40  
D467,187 S \* 12/2002 Clivio ..... D10/40  
D477,287 S \* 7/2003 Roman ..... D13/162  
D485,502 S \* 1/2004 Clivio ..... D10/40  
6,719,010 B1 \* 4/2004 Yi-Chang ..... 137/624.11  
D546,772 S \* 7/2007 Venegas et al. .... D13/162  
8,104,509 B2 \* 1/2012 Leer et al. .... 137/624.11  
D679,259 S \* 4/2013 Franchini ..... D13/162.1  
D679,260 S \* 4/2013 Franchini ..... D13/162.1  
D682,715 S \* 5/2013 Wang ..... D10/40  
2009/0001193 A1 \* 1/2009 Parsons et al. .... 239/69  
2010/0230510 A1 \* 9/2010 Wilson ..... 239/70

\* cited by examiner

*Primary Examiner* — Selina Sikder

(74) *Attorney, Agent, or Firm* — Jacobson Holman, PLLC.

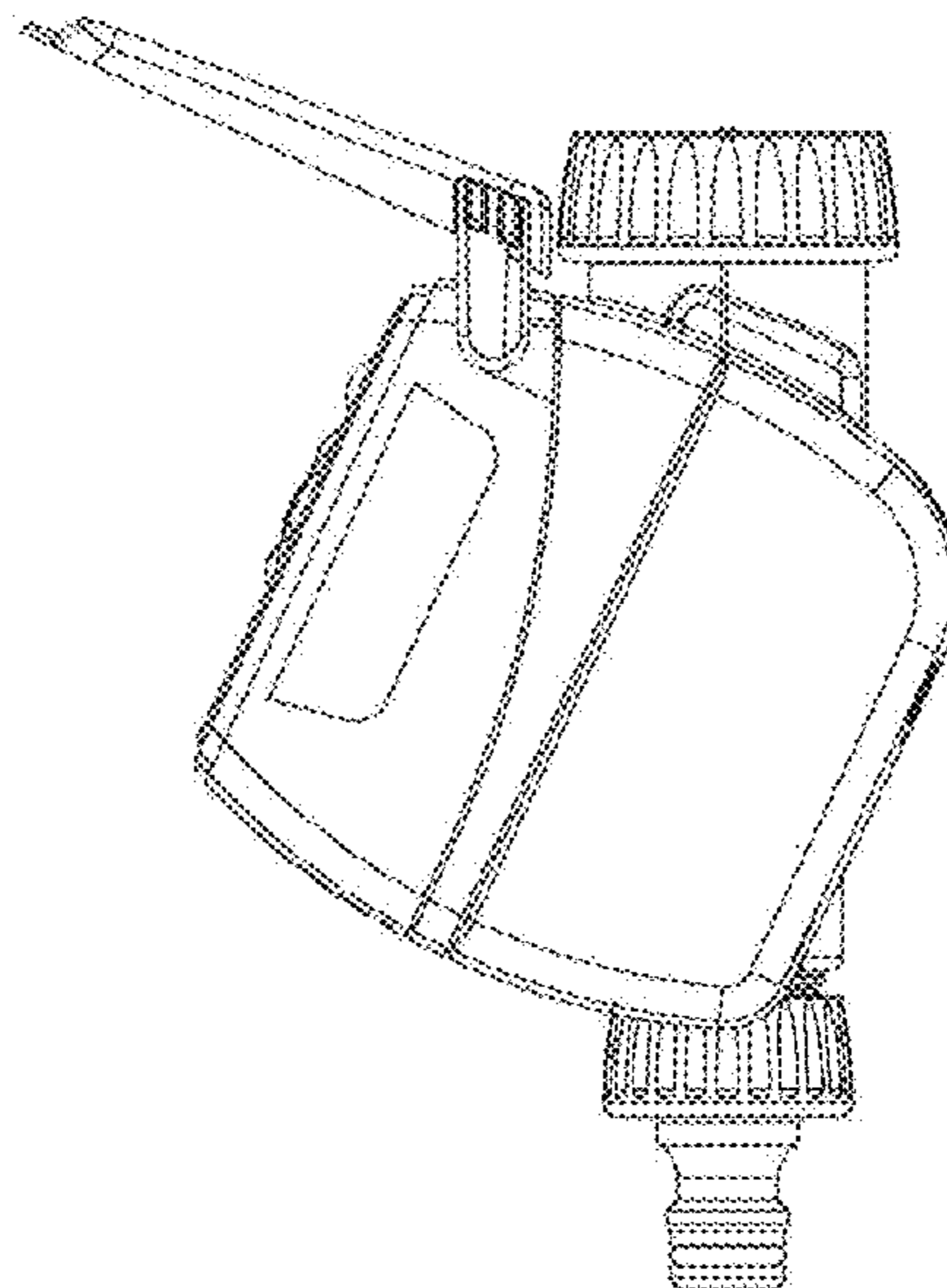
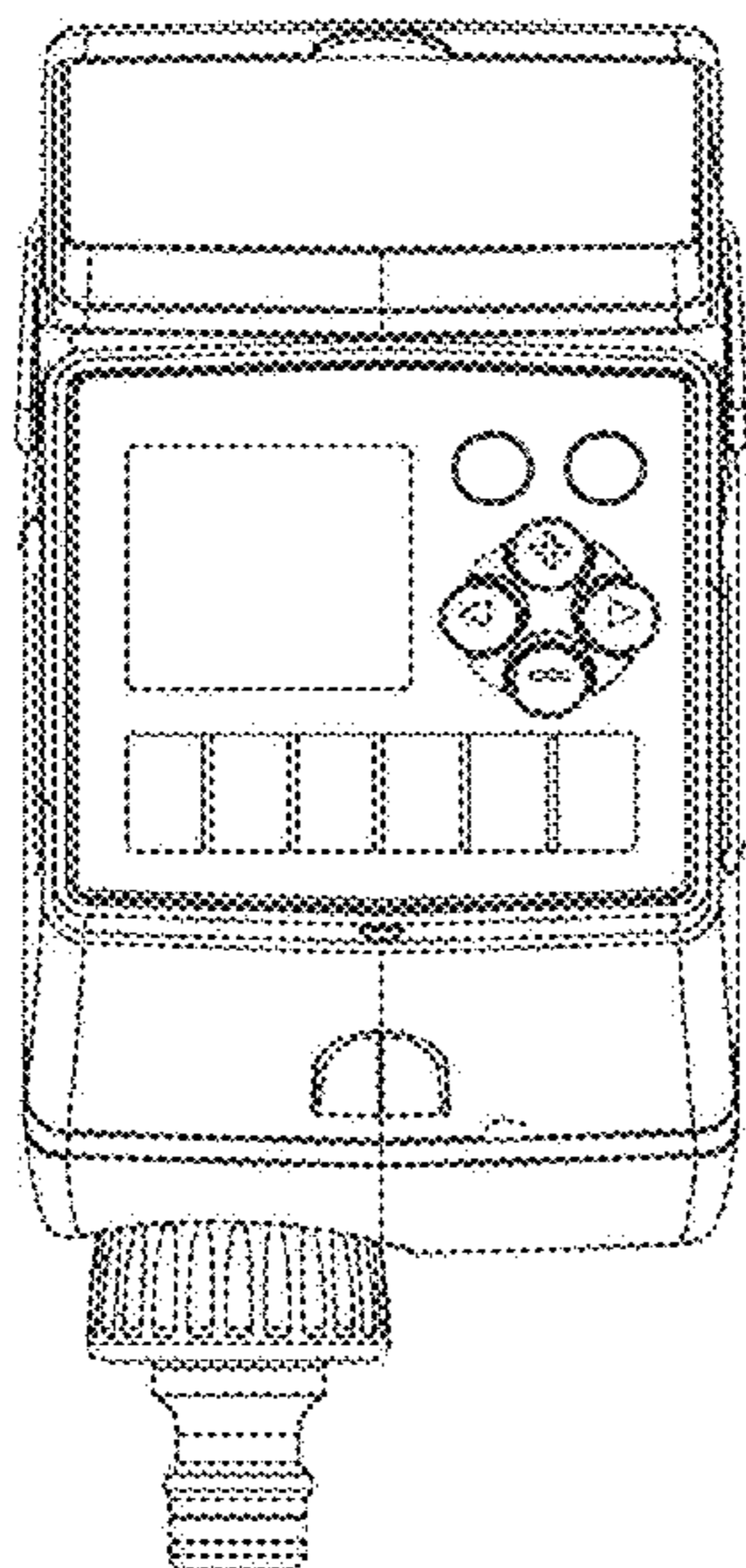
(57) **CLAIM**

The ornamental design for “control unit for irrigation system,” as shown and described.

**DESCRIPTION**

FIG. 1 shows a front view of a control unit for irrigation system with cover opened;  
FIG. 2 shows a first lateral view of the control unit for irrigation system of FIG. 1;  
FIG. 3 shows a second lateral view of the control unit for irrigation system of FIG. 1;  
FIG. 4 shows a back view of the control unit for irrigation system of FIG. 1;  
FIG. 5 shows a top view of the control unit for irrigation system of FIG. 1;  
FIG. 6 shows a bottom view of the control unit for irrigation system of FIG. 1; and,  
FIG. 7 shows a front view of the control unit for irrigation system of FIG. 1 with cover closed.

**1 Claim, 7 Drawing Sheets**



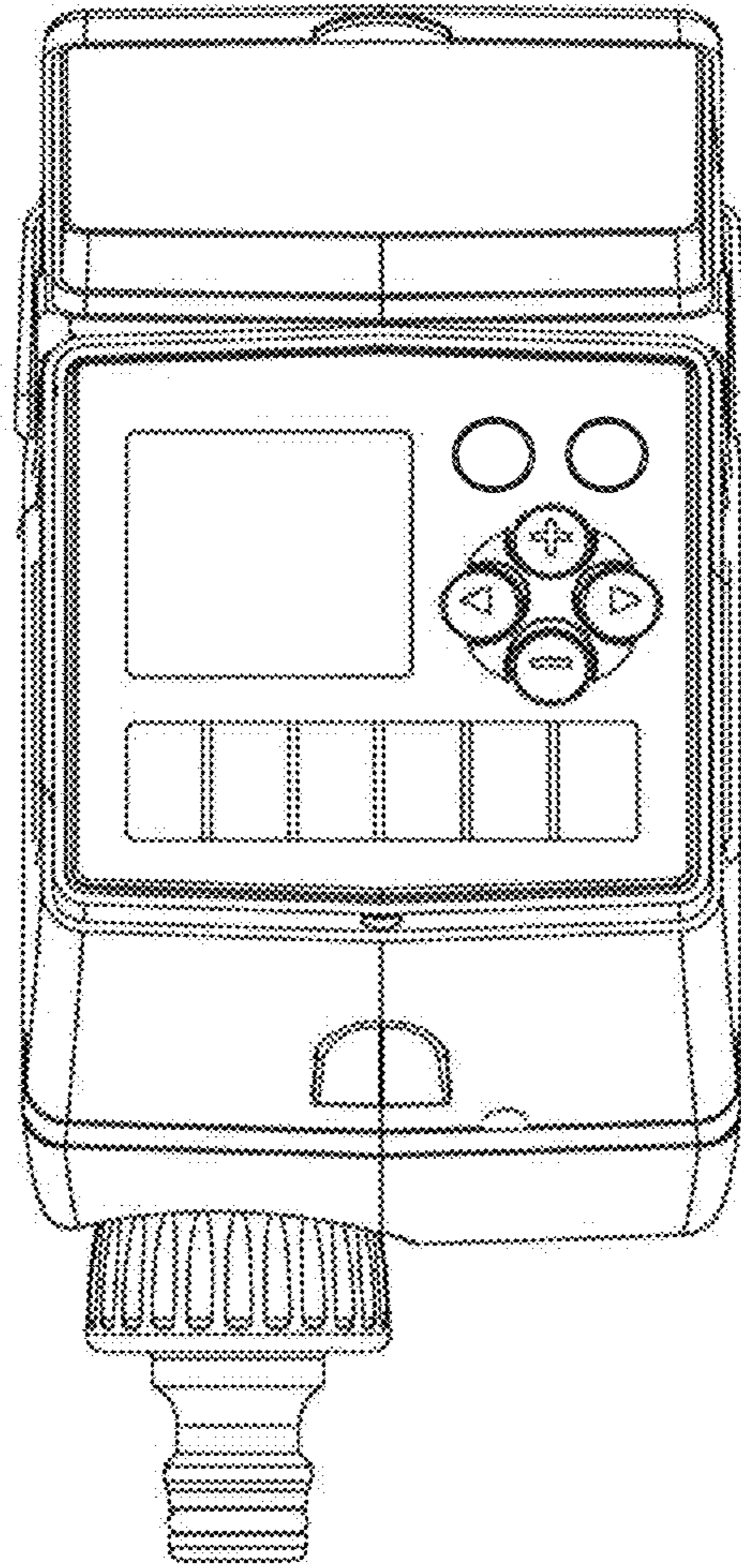


FIG.1

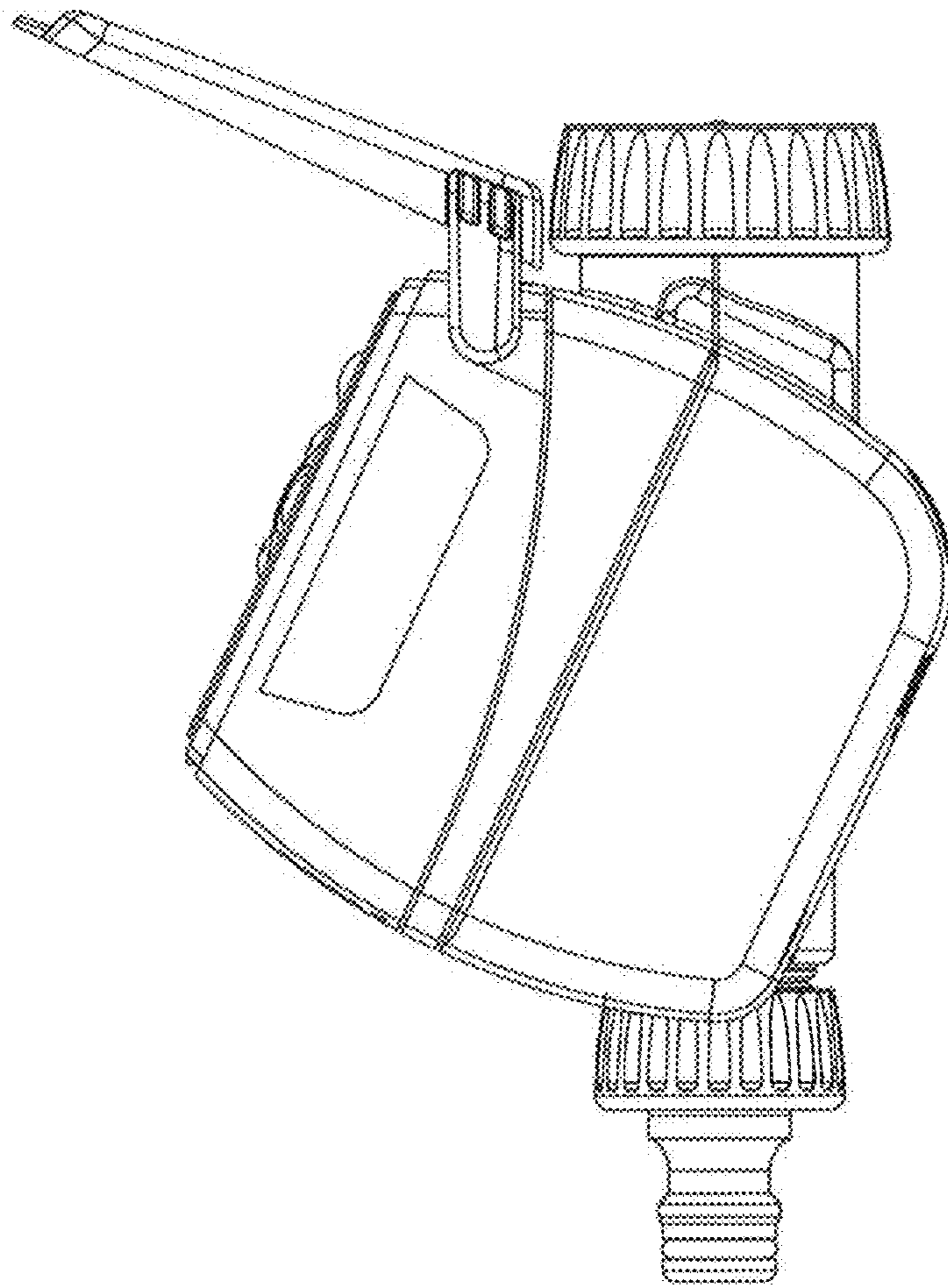


FIG.2

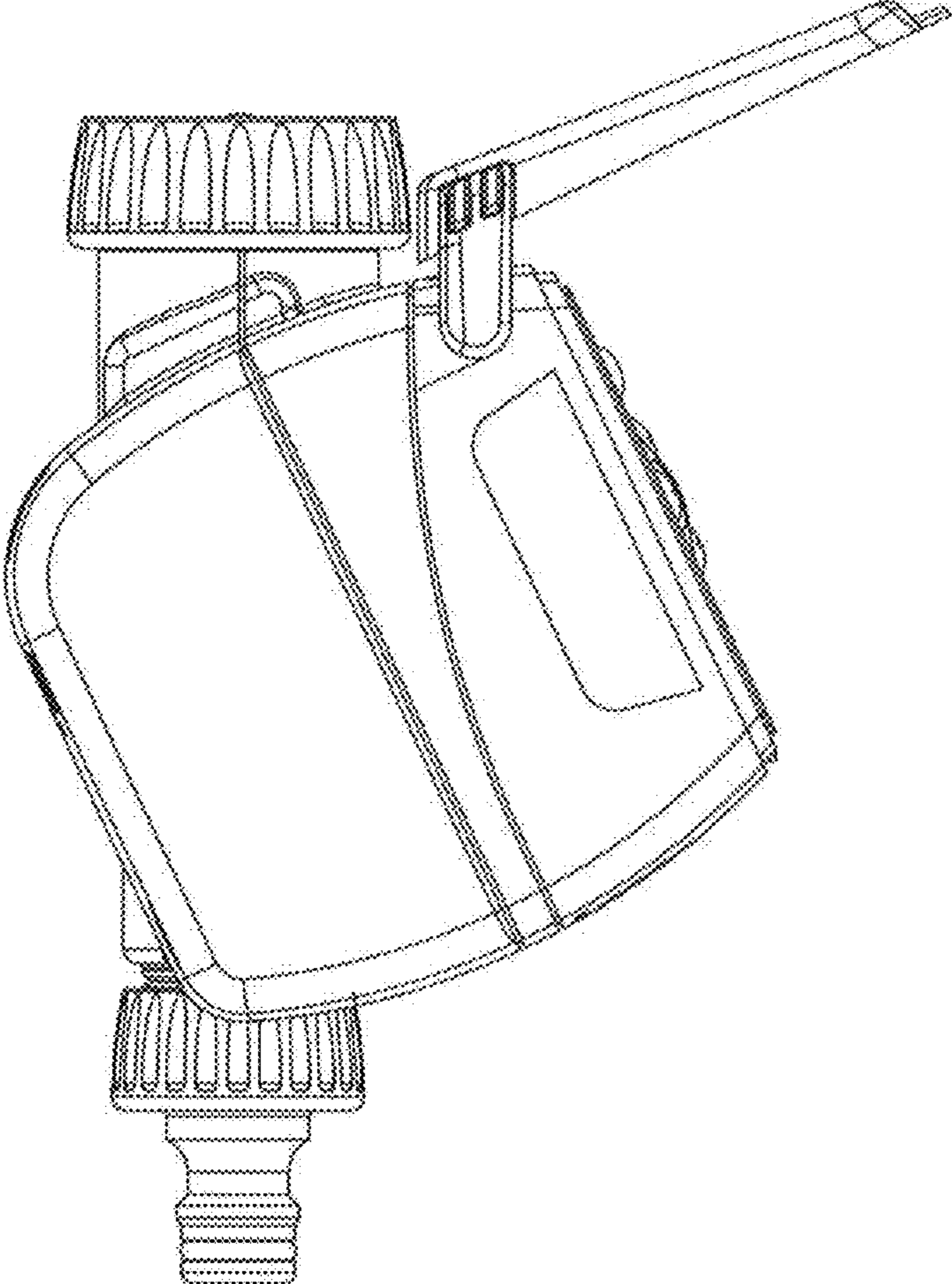


FIG.3

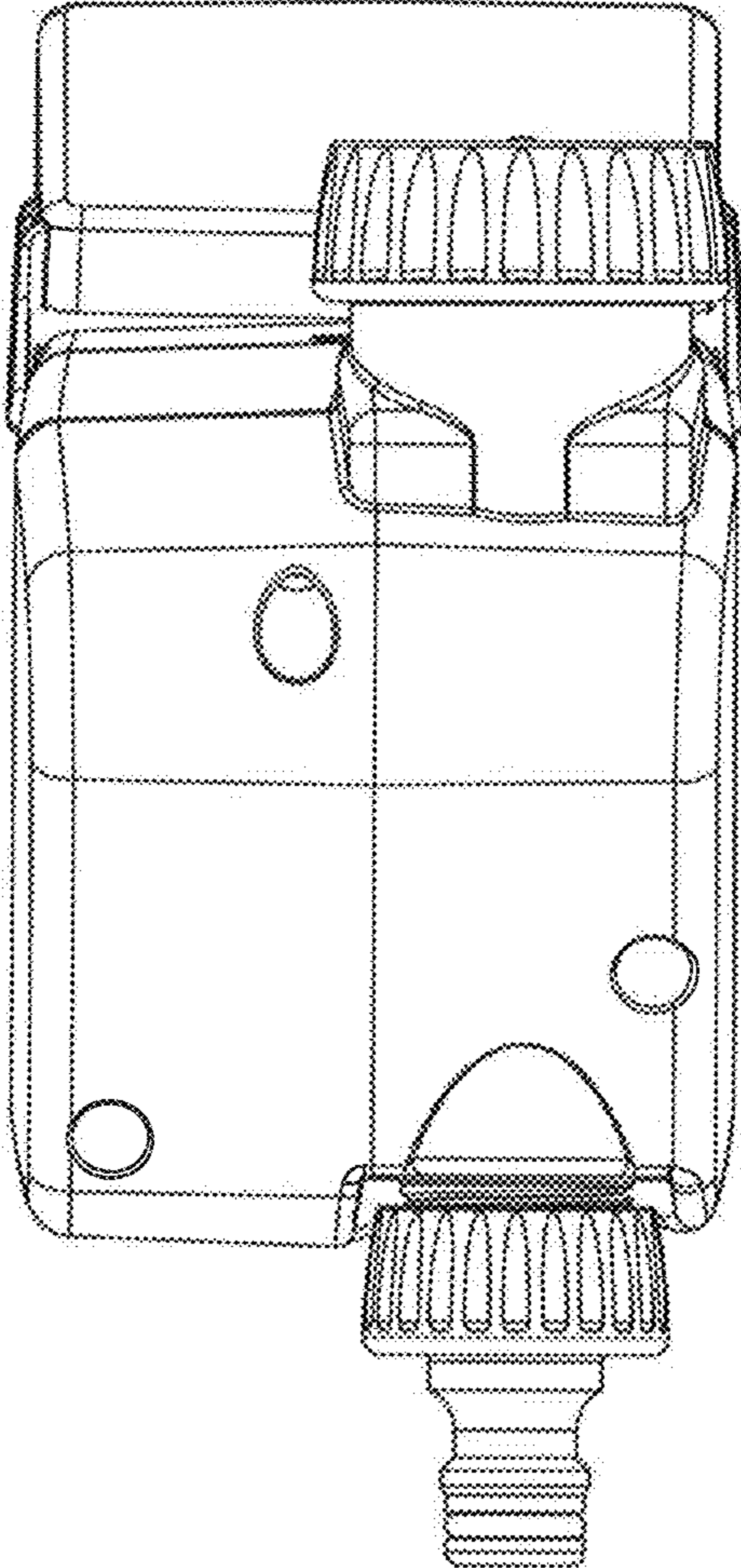


FIG.4

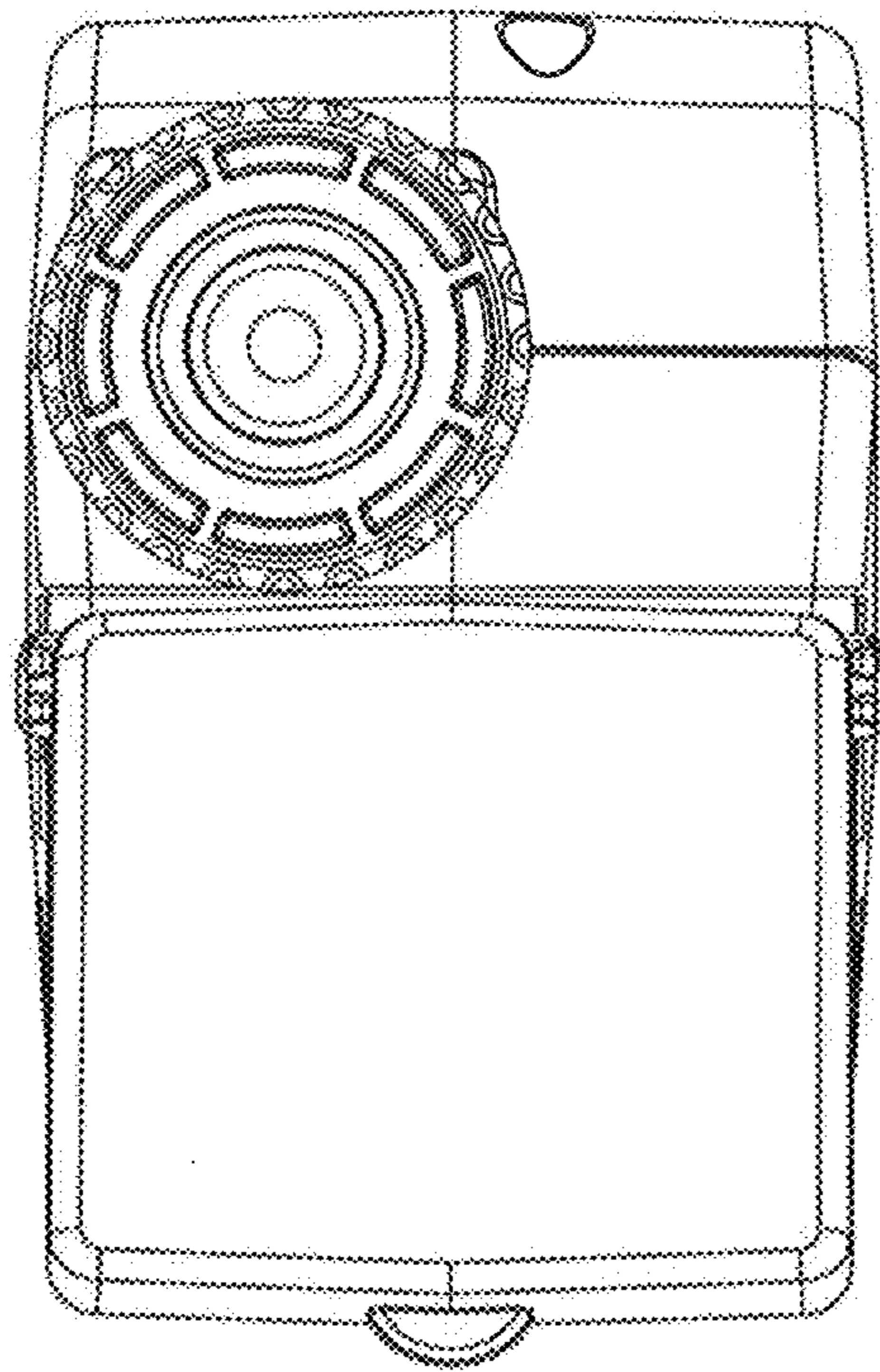


FIG.5

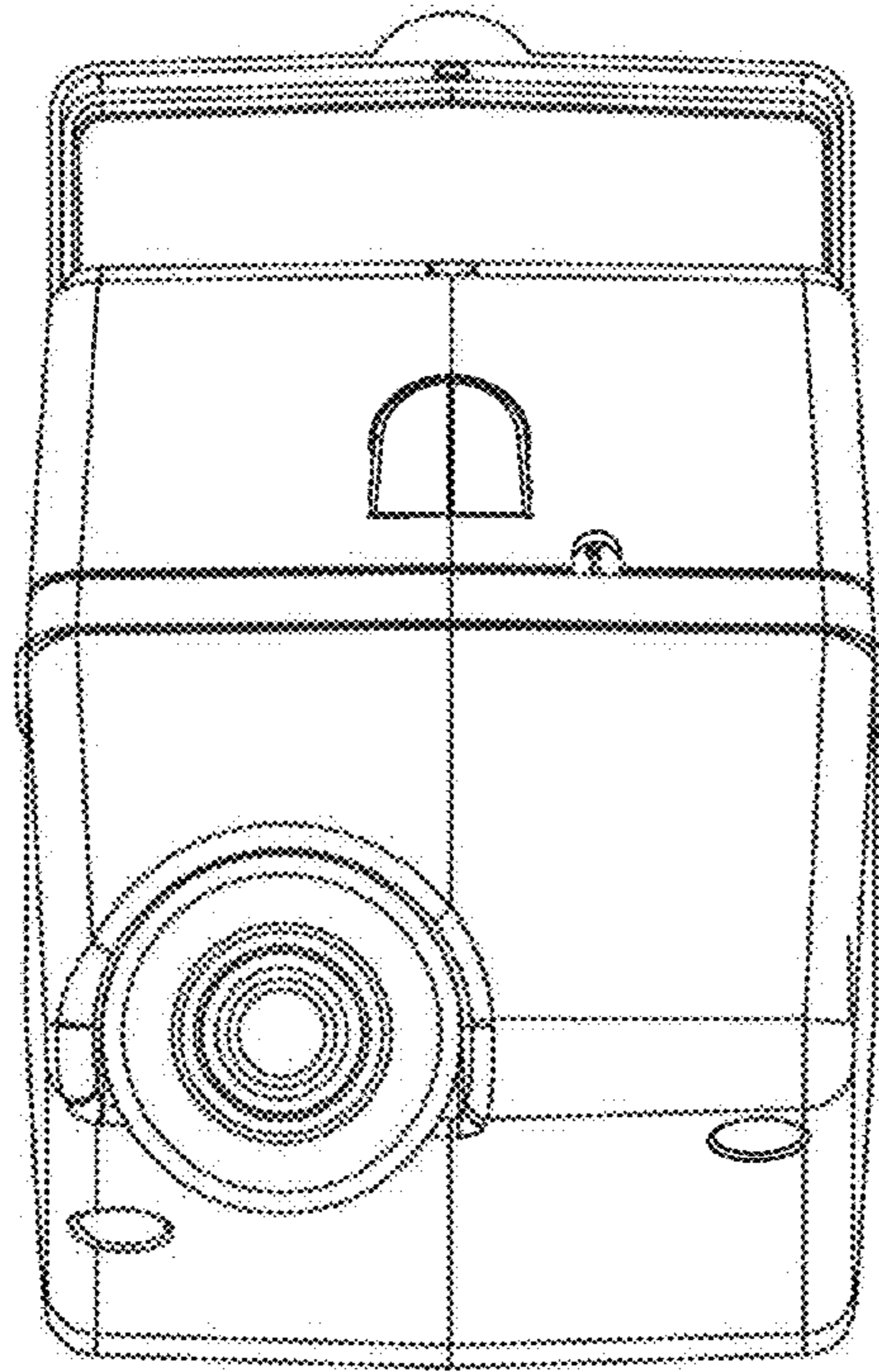


FIG.6

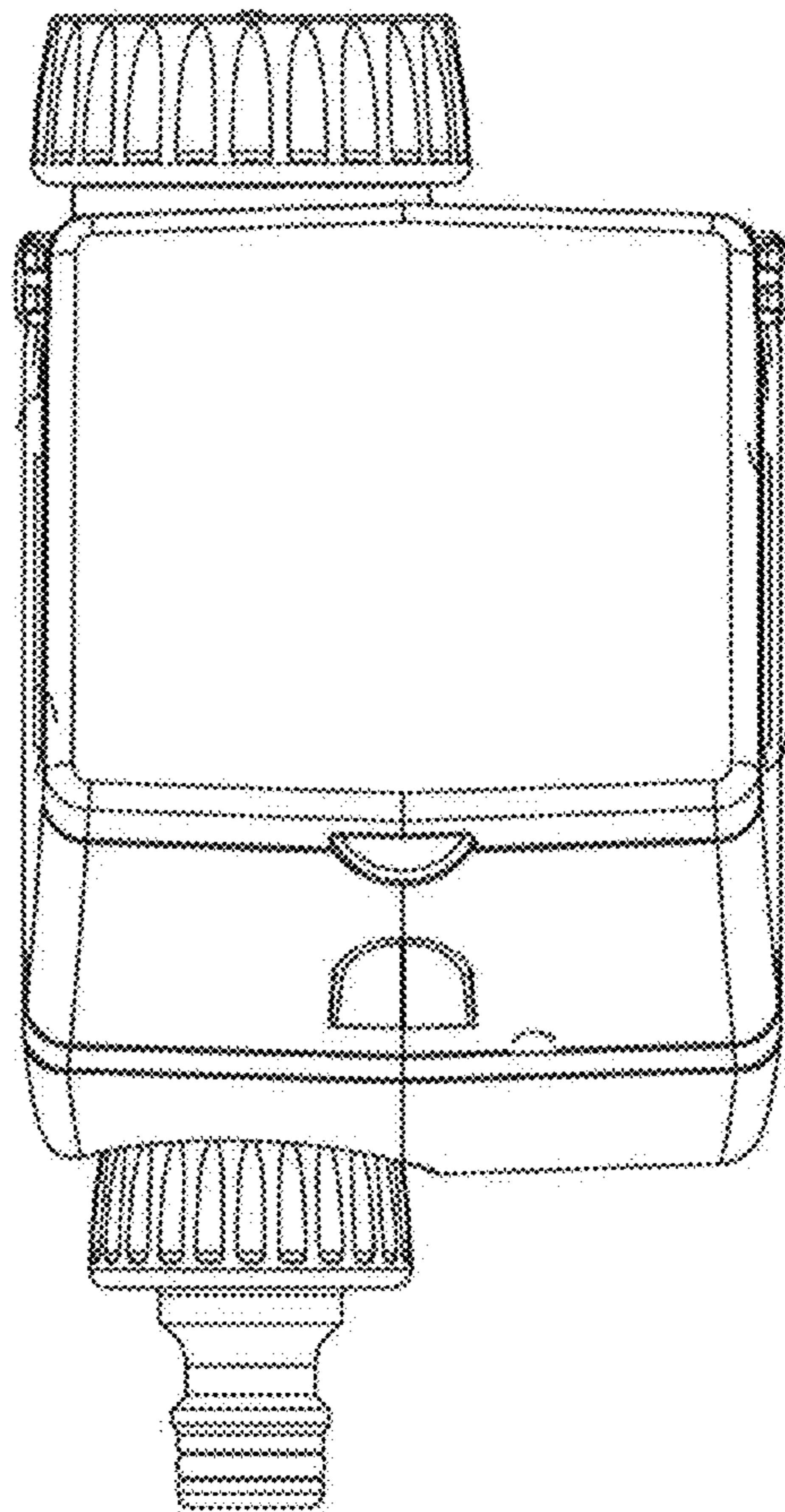


FIG.7