



US00D744960S

(12) **United States Design Patent**
Branham

(10) **Patent No.:** **US D744,960 S**
(45) **Date of Patent:** **** Dec. 8, 2015**

(54) **CONTROL PANEL**

(71) Applicant: **Tony Branham**, Gig Harbor, WA (US)

(72) Inventor: **Tony Branham**, Gig Harbor, WA (US)

(**) Term: **14 Years**

(21) Appl. No.: **29/486,700**

(22) Filed: **Apr. 1, 2014**

(51) **LOC (10) Cl.** **13-03**

(52) **U.S. Cl.**
USPC **D13/162**

(58) **Field of Classification Search**
USPC D13/123, 133, 125, 158, 162, 164, 169,
D13/170, 171, 174, 177; D8/14, 353;
D10/40, 106.8, 114.1; 236/144 A
CPC F24F 2011/0064; F24F 11/0001;
F24F 11/0012; F24F 11/0015
See application file for complete search history.

(56) **References Cited**

U.S. PATENT DOCUMENTS

D282,462 S *	2/1986	Hart	D13/169
D297,396 S *	8/1988	Schwalbe	D8/14
D307,578 S *	5/1990	Carson et al.	D13/158
D310,820 S *	9/1990	Watson et al.	D13/125
D315,546 S *	3/1991	Mongeau	D13/170
D324,816 S *	3/1992	LeDuc	D8/353
D325,559 S *	4/1992	Rosenbaum et al.	D13/171
D331,741 S *	12/1992	Fujiyoshi	D13/169
D331,742 S *	12/1992	Fujiyoshi	D13/169
D331,743 S *	12/1992	Fujiyoshi	D13/169
D333,124 S *	2/1993	Carson	D13/169
D336,893 S *	6/1993	Bergeron	D13/158
D336,894 S *	6/1993	Zaretsky et al.	D13/171
D341,568 S *	11/1993	Sorenson et al.	D13/174
D343,386 S *	1/1994	Mueller	D13/158
D371,123 S *	6/1996	Amundsen	D14/441
D388,398 S *	12/1997	Jeong	D13/174
D394,042 S *	5/1998	Hwang	D13/171
D402,270 S *	12/1998	Garrity, Sr.	D13/174

D408,792 S *	4/1999	Hwang	D13/171
D422,567 S *	4/2000	Mayo et al.	D13/162
D427,153 S *	6/2000	Taylor	D13/158
D428,602 S *	7/2000	Taylor	D13/177
D429,696 S *	8/2000	Taylor	D13/158
D432,503 S *	10/2000	Taylor	D13/177
D437,585 S *	2/2001	Mayo et al.	D13/174
D450,043 S *	11/2001	Mosebrook	D13/171
D450,663 S *	11/2001	Smith	D13/177
D476,628 S *	7/2003	Millar	D13/158
D488,134 S *	4/2004	Pratt	D13/164
D500,687 S *	1/2005	Morrison et al.	D10/40

(Continued)

OTHER PUBLICATIONS

Review: DewStop Humidity and Condensation Fan Switch. centralmmom.com. (online) 12 pages. Uploaded Jul. 8, 2012 [retrieved on Apr. 24, 2015. Retrieved from Internet: <http://centralmmom.com/review-dewstop-humidity-and-condensation-fan-switch/>.*

Primary Examiner — Susan Bennett Hattan

Assistant Examiner — Marie Fast Horse

(74) *Attorney, Agent, or Firm* — Seed IP Law Group PLLC

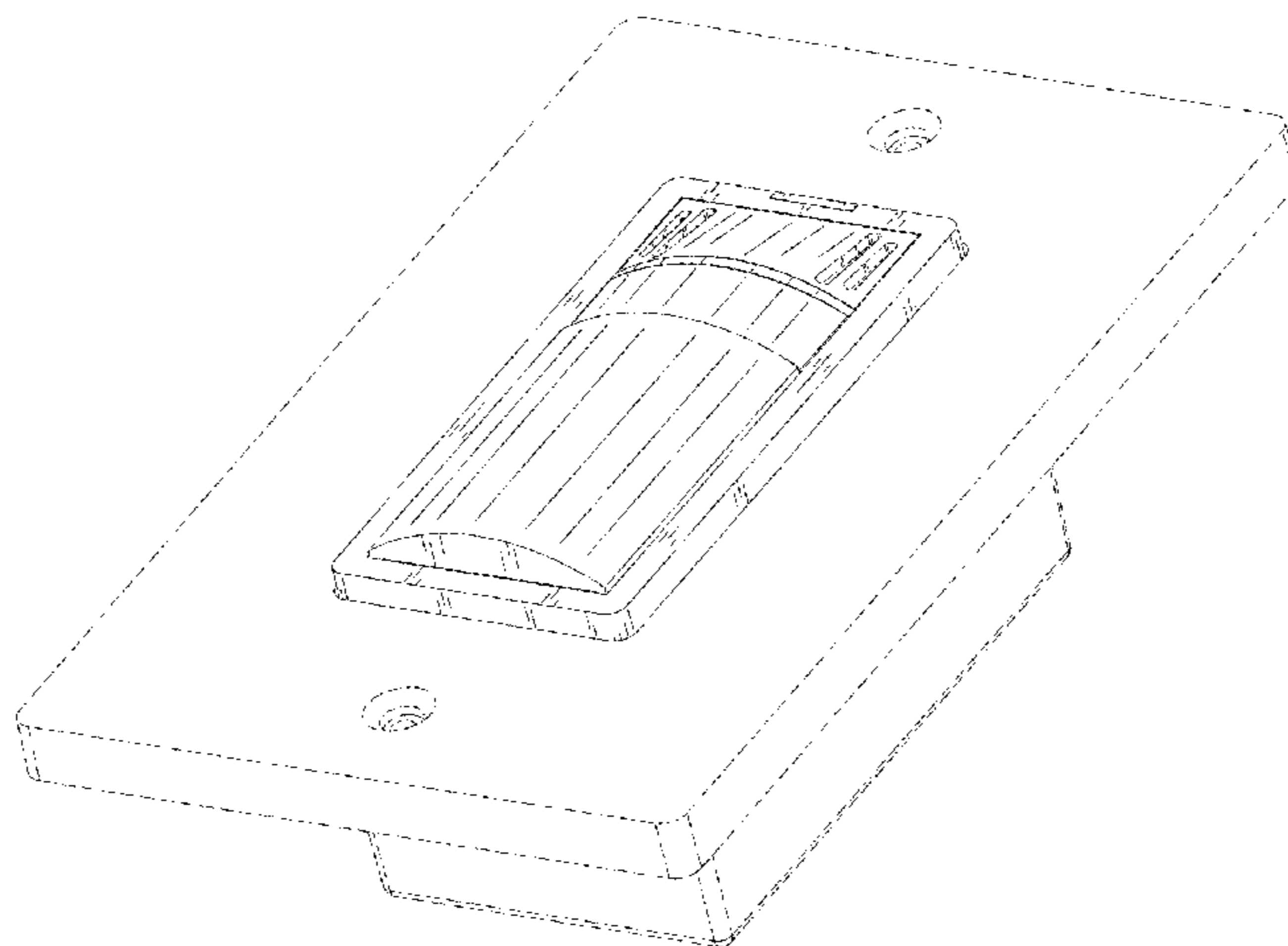
(57) **CLAIM**

The ornamental design for a control panel, as shown and described.

DESCRIPTION

FIG. 1 is a front side isometric view of a control panel showing my new design;
FIG. 2 is a front plan view thereof;
FIG. 3 is a left plan view thereof;
FIG. 4 is a right side plan view thereof;
FIG. 5 is a rear plan view thereof;
FIG. 6 is a top plan view thereof; and,
FIG. 7 is a bottom plan view thereof.
The broken lines in the figures depict parts of the control panel that form no part of the claimed design.

1 Claim, 5 Drawing Sheets



(56)

References Cited

U.S. PATENT DOCUMENTS

D500,990 S *	1/2005	Gorman	D13/174	D645,412 S *	9/2011	Lind et al.	D13/162
D502,930 S *	3/2005	Barone	D13/174	D645,413 S *	9/2011	Lind et al.	D13/162
D504,668 S *	5/2005	Fort et al.	D13/171	D647,063 S *	10/2011	Lind et al.	D13/162
D505,394 S *	5/2005	Fort et al.	D13/170	D647,064 S *	10/2011	Lind et al.	D13/162
D505,395 S *	5/2005	Fort et al.	D13/170	D647,489 S *	10/2011	Lind et al.	D13/162
D511,503 S *	11/2005	Fort et al.	D13/169	D651,571 S *	1/2012	Feldstein et al.	D13/164
D511,751 S *	11/2005	Fort et al.	D13/169	D651,572 S *	1/2012	Feldstein et al.	D13/164
D515,449 S *	2/2006	Nelson et al.	D10/114.1	D651,573 S *	1/2012	Feldstein et al.	D13/164
D517,024 S *	3/2006	Fort et al.	D13/170	D651,574 S *	1/2012	Feldstein et al.	D13/164
D521,360 S *	5/2006	Chen	D8/353	D651,575 S *	1/2012	Feldstein et al.	D13/164
D521,945 S *	5/2006	Sorenson	D13/174	D651,576 S *	1/2012	Feldstein et al.	D13/164
D523,402 S *	6/2006	Lombardi et al.	D13/171	D651,577 S *	1/2012	Feldstein et al.	D13/164
D523,824 S *	6/2006	Lombardi et al.	D13/169	D651,578 S *	1/2012	Feldstein et al.	D13/164
D524,257 S *	7/2006	Sorenson	D13/174	D651,579 S *	1/2012	Feldstein et al.	D13/164
D524,258 S *	7/2006	Sorenson	D13/174	D651,580 S *	1/2012	Feldstein et al.	D13/164
D524,259 S *	7/2006	Sorenson	D13/174	D651,983 S *	1/2012	Feldstein et al.	D13/164
D526,283 S *	8/2006	Sorenson	D13/174	D651,984 S *	1/2012	Feldstein et al.	D13/164
D534,873 S *	1/2007	Merritt et al.	D13/162	D651,985 S *	1/2012	Feldstein et al.	D13/164
D535,627 S *	1/2007	Merritt et al.	D13/162	D651,986 S *	1/2012	Feldstein et al.	D13/164
D542,237 S *	5/2007	Fort et al.	D13/177	D653,627 S *	2/2012	Hoffknecht et al.	D13/164
D564,457 S *	3/2008	Billings et al.	D13/164	D654,030 S *	2/2012	Hoffknecht et al.	D13/164
D566,048 S *	4/2008	Mace et al.	D13/162	D664,101 S *	7/2012	Hoffknecht et al.	D13/164
D570,790 S *	6/2008	Egea Soler	D13/162	D664,461 S *	7/2012	Goyal et al.	D10/106.8
D581,369 S *	11/2008	Egea Soler	D13/162	D666,892 S *	9/2012	Marrero	D8/353
D596,586 S *	7/2009	Mace et al.	D13/162	D678,223 S *	3/2013	Wisniewski et al.	D13/174
D597,965 S *	8/2009	Mace et al.	D13/174	D688,636 S *	8/2013	Oishi et al.	D13/171
D598,399 S *	8/2009	Mayo et al.	D13/171	D691,097 S *	10/2013	Lind et al.	D13/164
D598,866 S *	8/2009	Rinna	D13/162	D706,726 S *	6/2014	Mathew et al.	D13/162
D601,513 S *	10/2009	Goyal et al.	D13/177	D706,727 S *	6/2014	Joshi et al.	D13/162
D607,842 S *	1/2010	Rinna	D13/162	D706,728 S *	6/2014	Joshi et al.	D13/162
D612,340 S *	3/2010	Mayo et al.	D13/174	D706,729 S *	6/2014	Joshi et al.	D13/162
D613,699 S *	4/2010	Goyal et al.	D13/177	D707,186 S *	6/2014	Sloan	D13/162
D626,093 S *	10/2010	Bates	D13/174	D707,188 S *	6/2014	Joshi et al.	D13/162
D636,348 S *	4/2011	Lind et al.	D13/162	D708,587 S *	7/2014	Sloan	D13/162
D636,349 S *	4/2011	Lind et al.	D13/162	D717,742 S *	11/2014	Larkin et al.	D13/162
D636,350 S *	4/2011	Rodriguez et al.	D13/164	D717,743 S *	11/2014	Larkin et al.	D13/164
D636,351 S *	4/2011	Rodriguez et al.	D13/164	D722,572 S *	2/2015	Moeller	D13/162
D636,738 S *	4/2011	Feldstein et al.	D13/164	D722,982 S *	2/2015	Lind et al.	D13/164
D645,411 S *	9/2011	Lind et al.	D13/162	D727,272 S *	4/2015	Johnson	D13/174
					2008/0111501 A1 *	5/2008	Dobbins et al.	315/294
					2013/0020397 A1 *	1/2013	Branham et al.	236/44 A

* cited by examiner

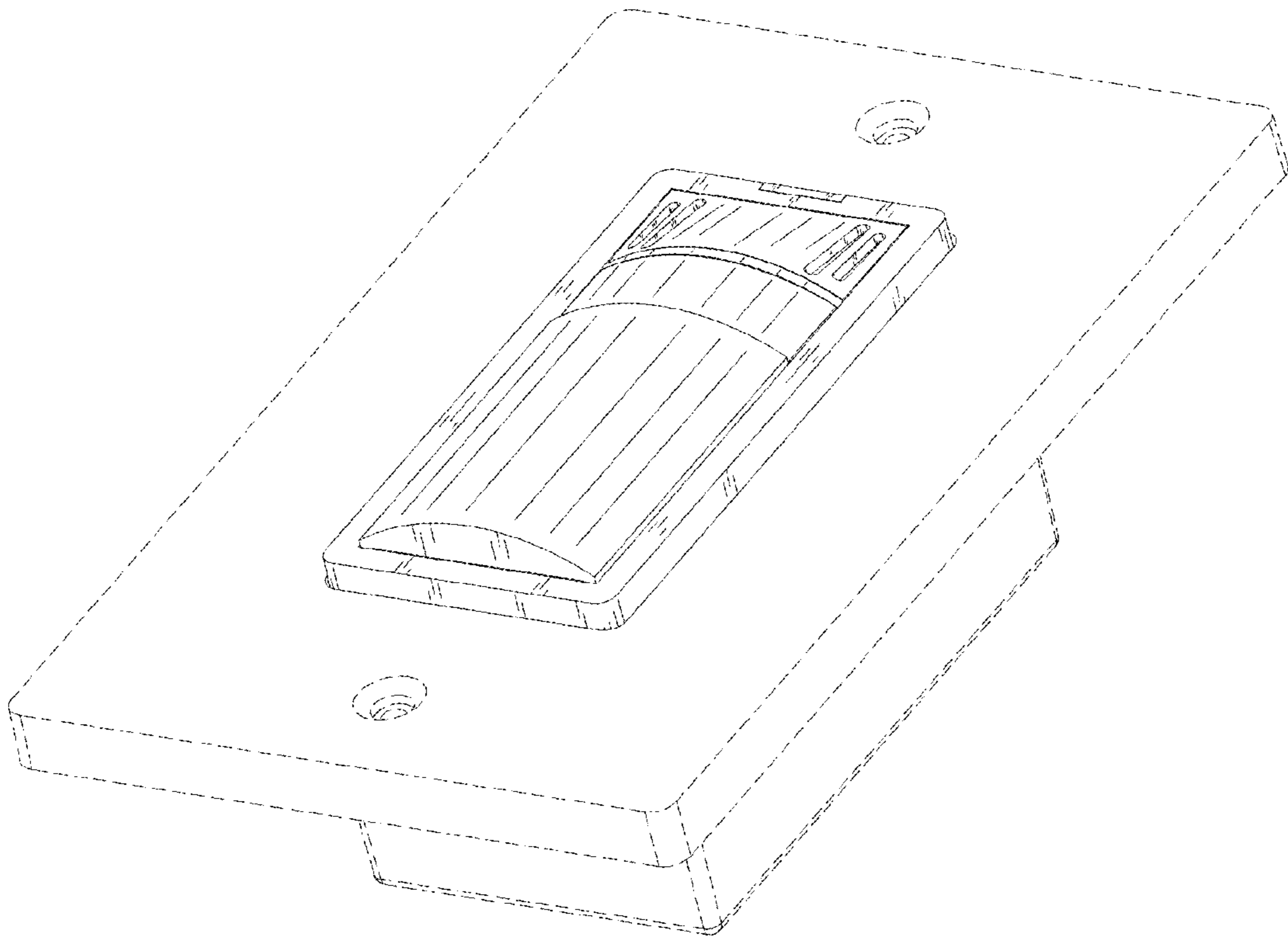


FIG. 1

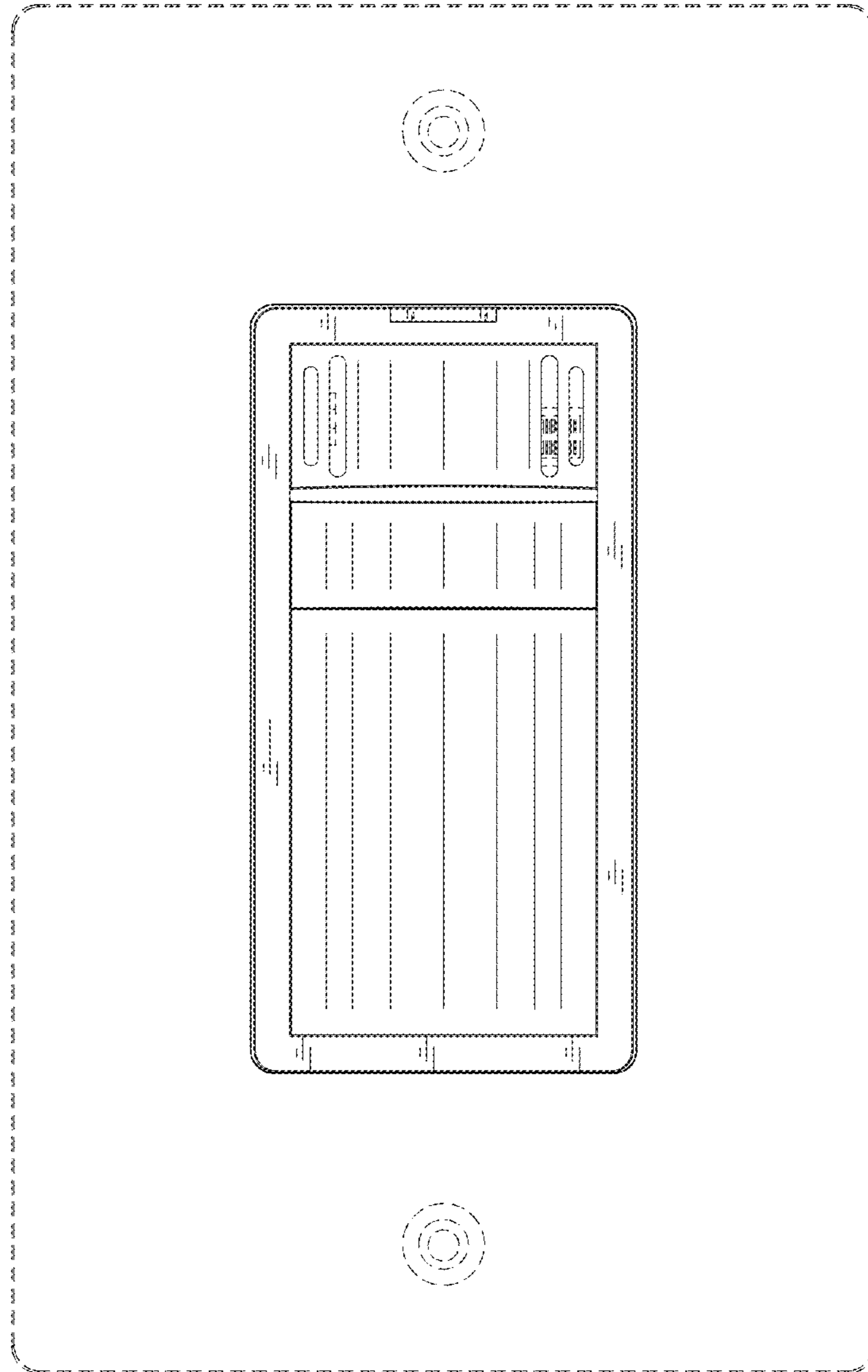


FIG. 2

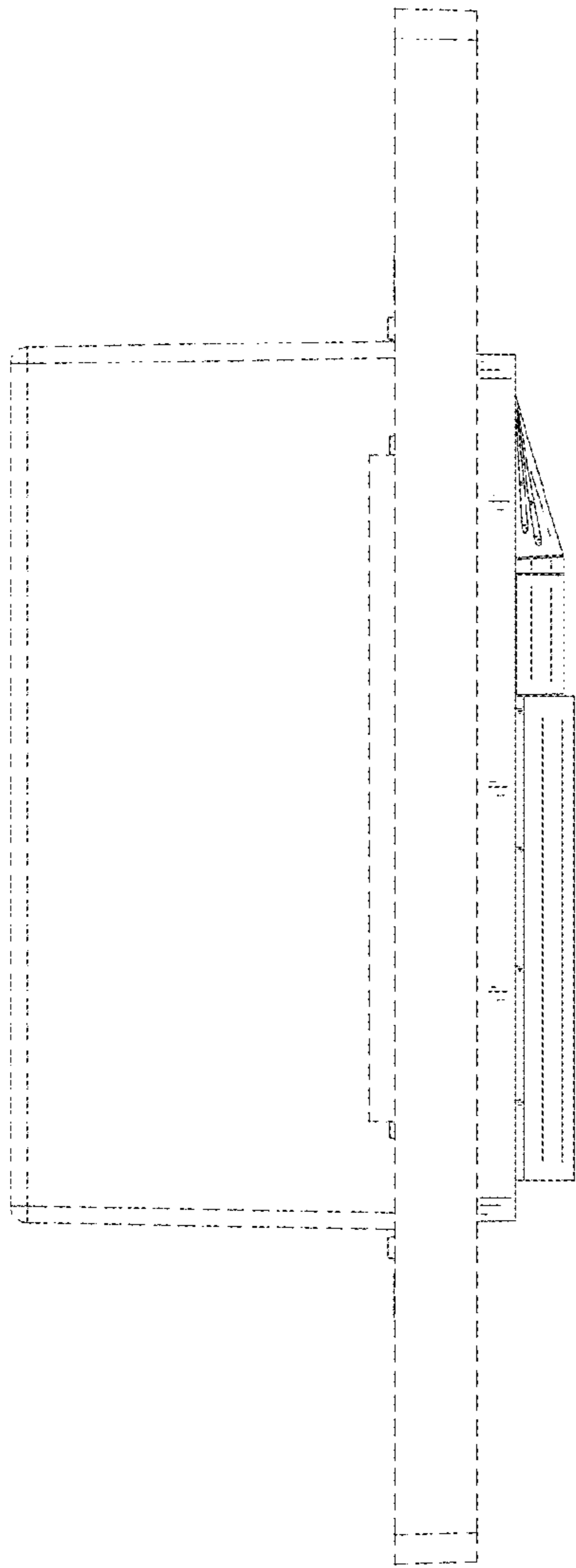


FIG. 3

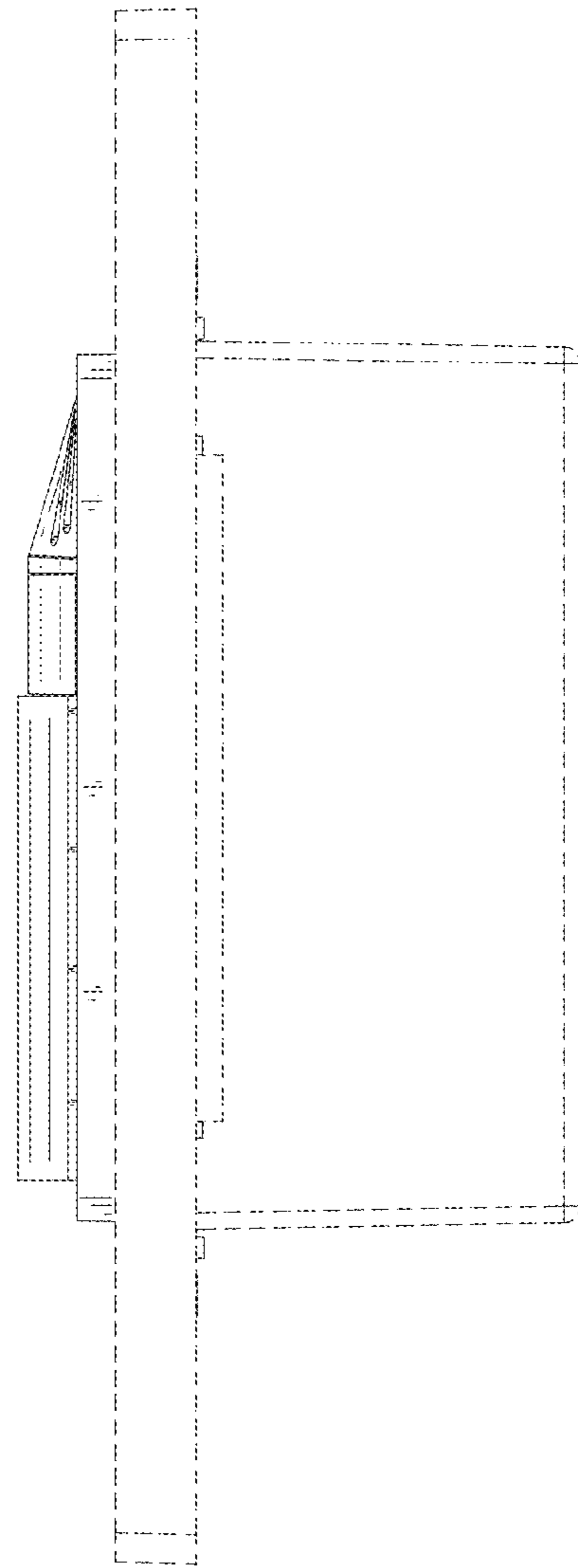


FIG. 4

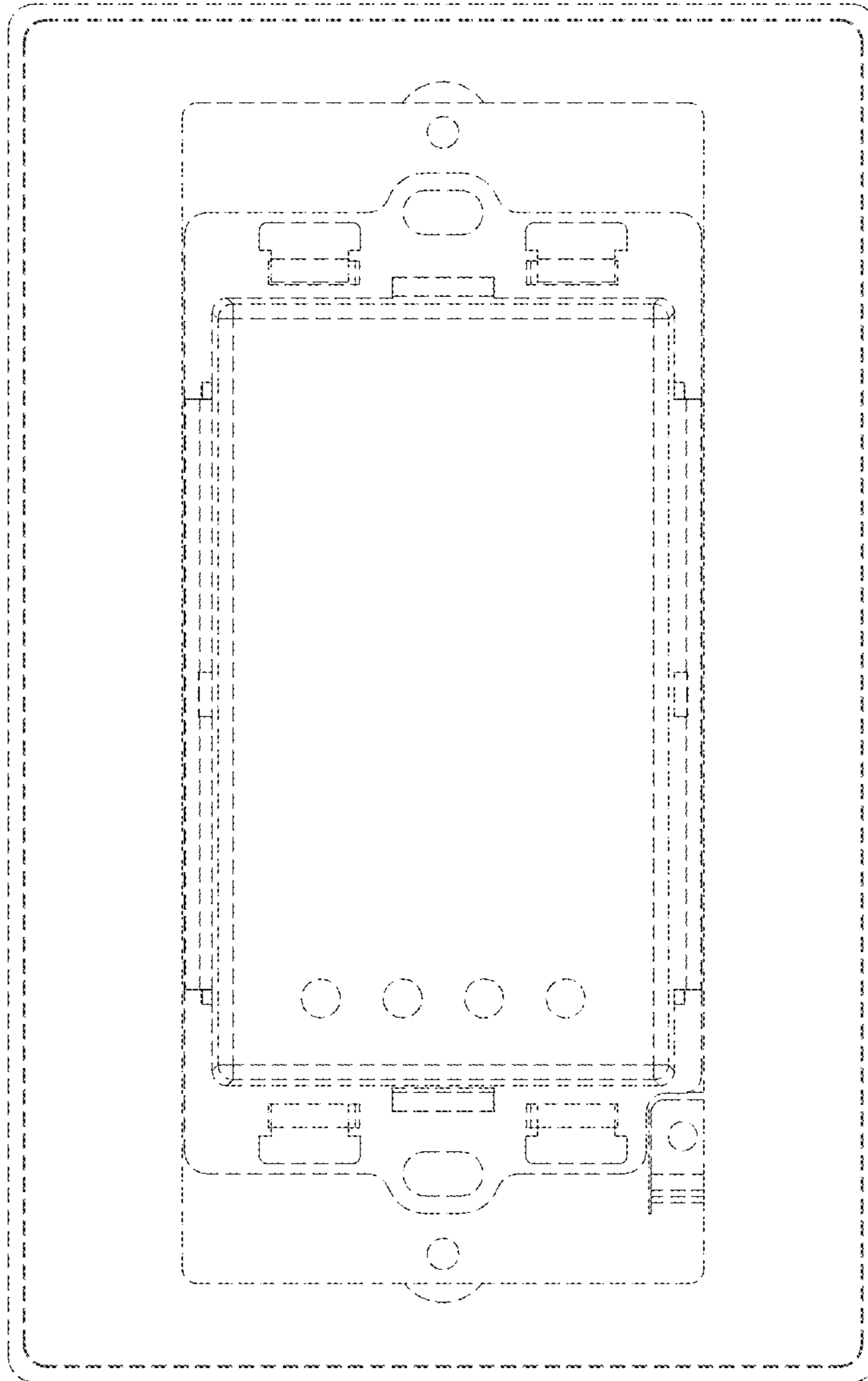


FIG. 5

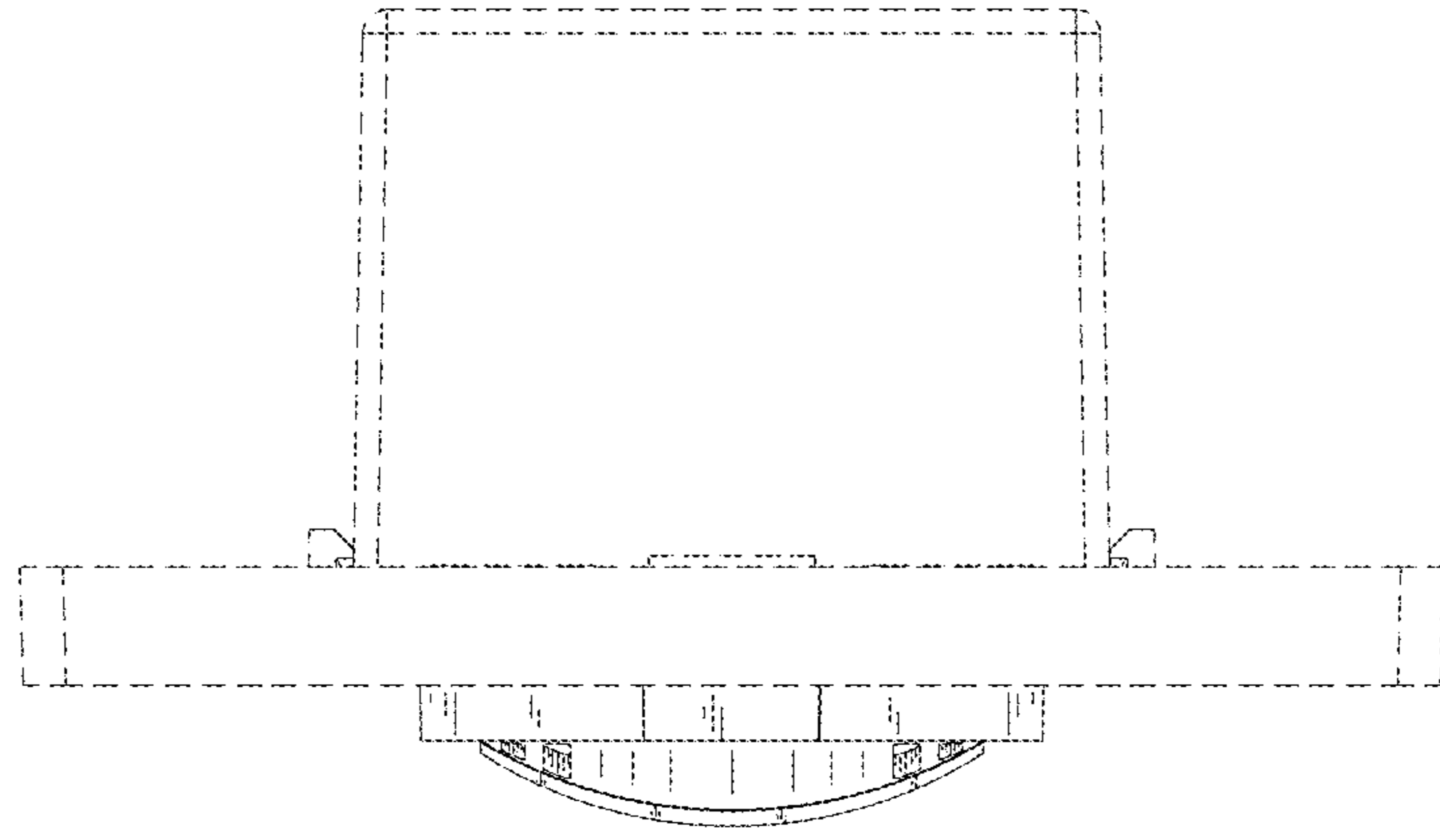


FIG. 6

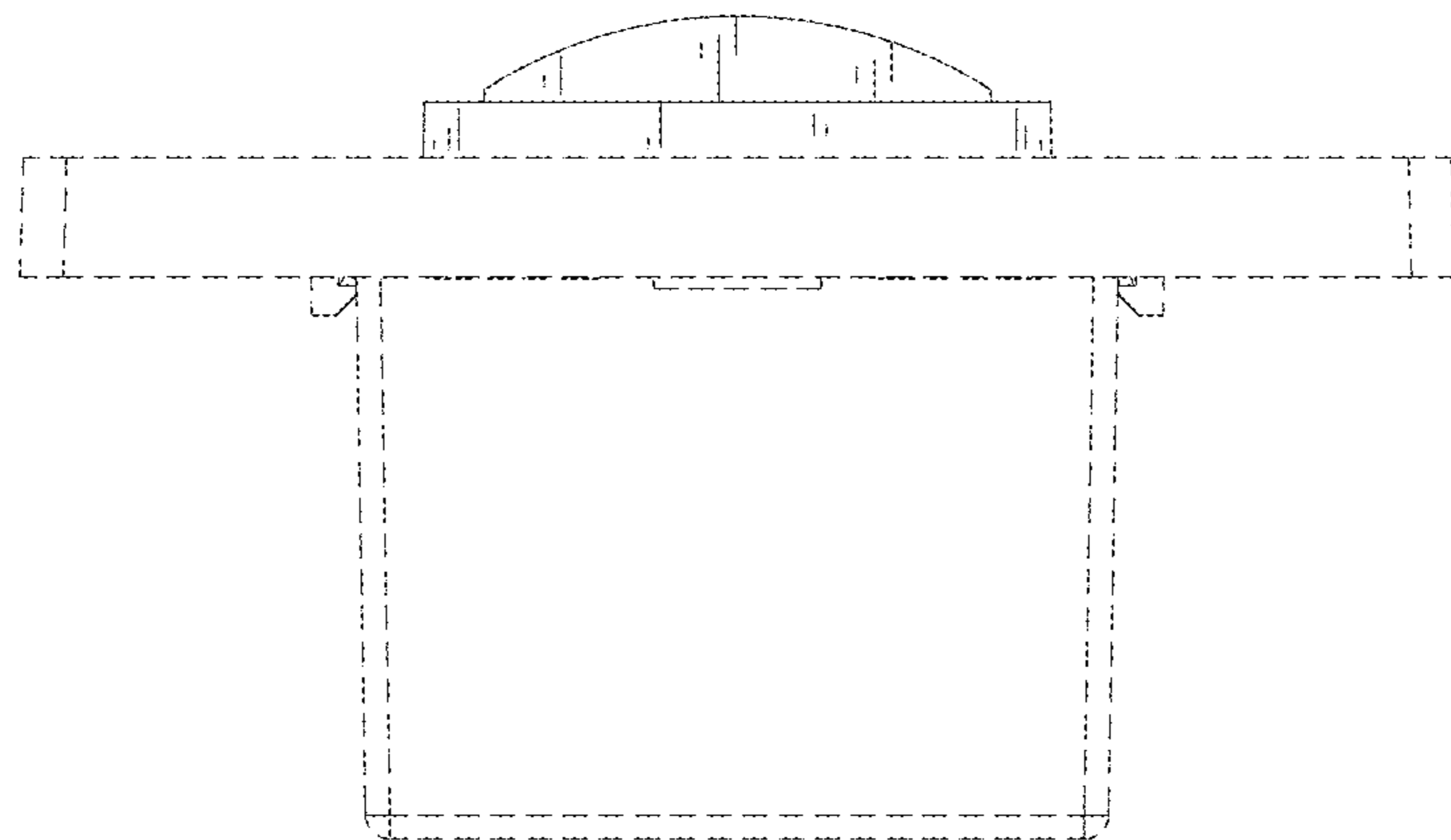


FIG. 7