



US00D744958S

(12) **United States Design Patent**  
**Chen et al.**

(10) **Patent No.:** **US D744,958 S**  
(45) **Date of Patent:** **\*\* Dec. 8, 2015**

(54) **ELECTRICAL CONNECTOR TERMINAL FOR AN ANTENNA**

(71) Applicant: **Advanced-Connectek Inc.**, New Taipei (TW)

(72) Inventors: **Ching-Tien Chen**, New Taipei (TW); **Shu-Lin Duan**, New Taipei (TW); **Wei Wan**, New Taipei (TW); **Xiao-Juan Qi**, New Taipei (TW)

(73) Assignee: **Advanced-Connectek Inc.**, New Taipei (TW)

(\*\*) Term: **14 Years**

(21) Appl. No.: **29/502,622**

(22) Filed: **Sep. 18, 2014**

(30) **Foreign Application Priority Data**

Apr. 9, 2014 (TW) ..... 103302072

(51) **LOC (10) Cl.** ..... **13-03**

(52) **U.S. Cl.**  
USPC ..... **D13/154**

(58) **Field of Classification Search**  
USPC ..... D13/133, 147, 154, 184, 199  
See application file for complete search history.

(56) **References Cited**

U.S. PATENT DOCUMENTS

D555,095 S	*	11/2007	Ho	.....	D13/133
D627,304 S	*	11/2010	Huang	.....	D13/154
D660,249 S	*	5/2012	Chen	.....	D13/154
D722,979 S	*	2/2015	Kim	.....	D13/154
D728,487 S	*	5/2015	Chen	.....	D13/154

\* cited by examiner

*Primary Examiner* — Daniel Bui

(74) *Attorney, Agent, or Firm* — The Weintraub Group, P.L.C.

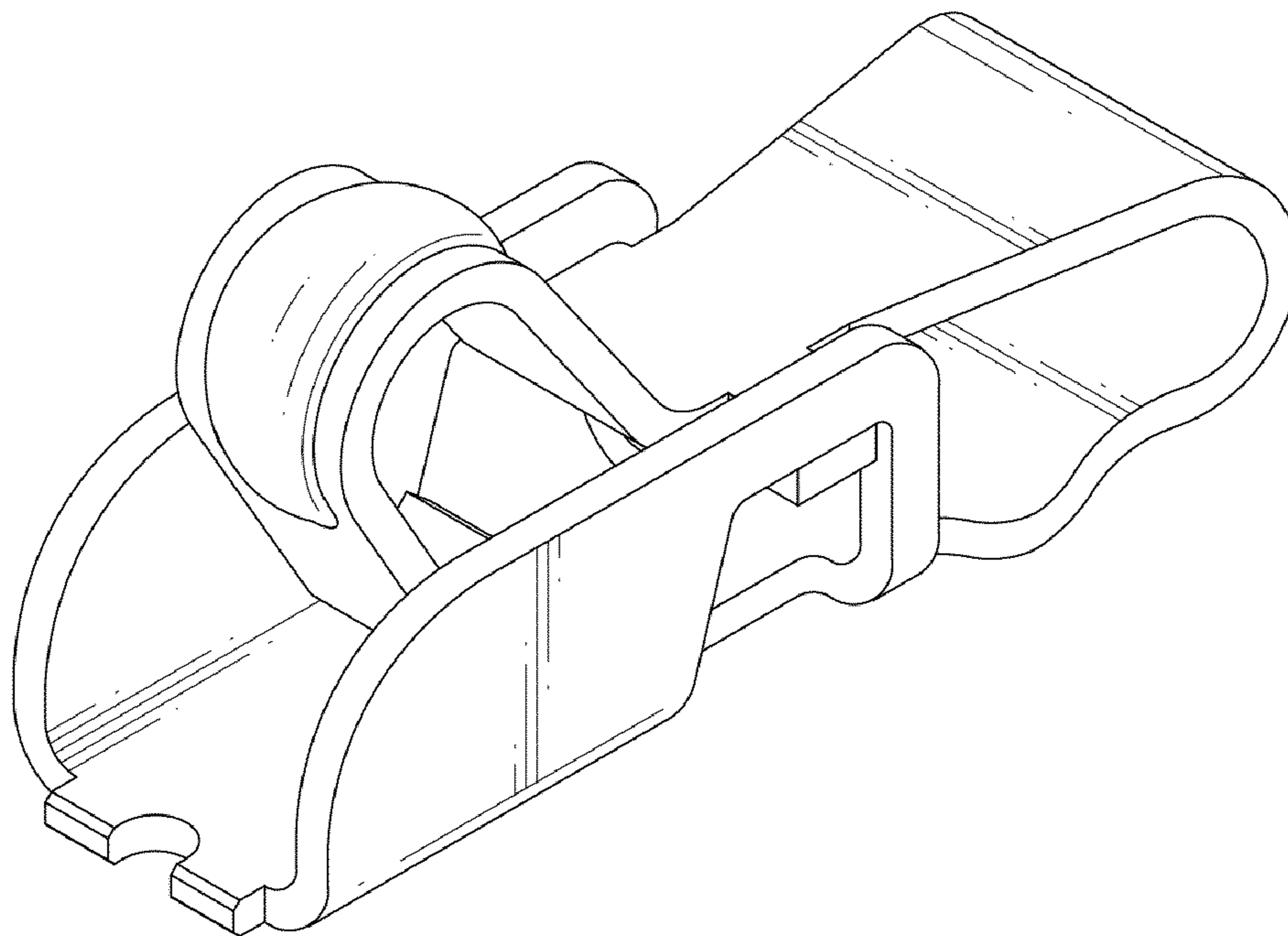
(57) **CLAIM**

The ornamental design for an electrical connector terminal for an antenna, as shown.

**DESCRIPTION**

FIG. 1 is a perspective view of an electrical connector terminal for an antenna showing our new design;  
FIG. 2 is a front view thereof;  
FIG. 3 is a rear view thereof;  
FIG. 4 is a left side view thereof;  
FIG. 5 is a right side view thereof;  
FIG. 6 is a top view thereof; and,  
FIG. 7 is a bottom view thereof.

**1 Claim, 7 Drawing Sheets**



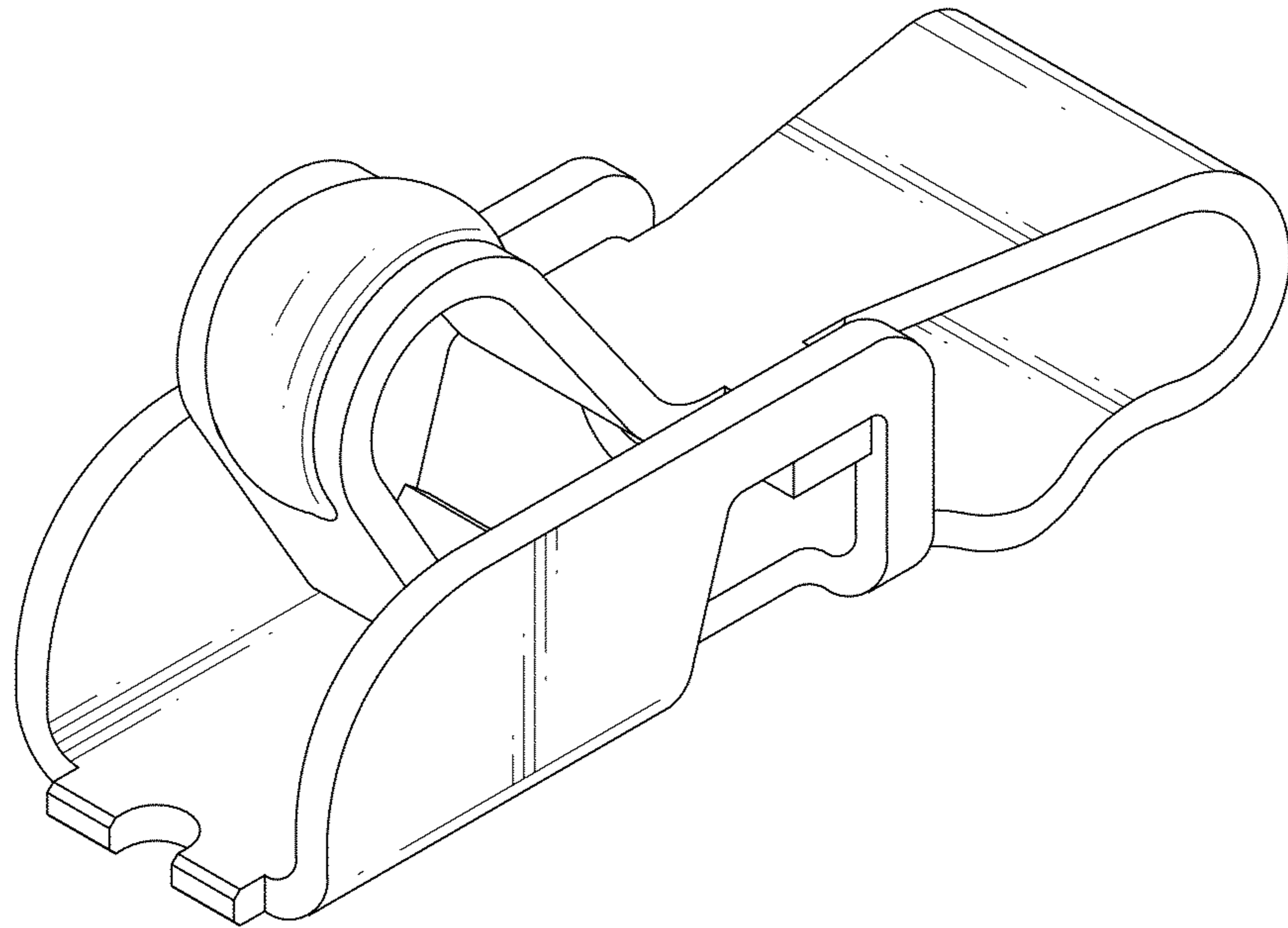


FIG.1

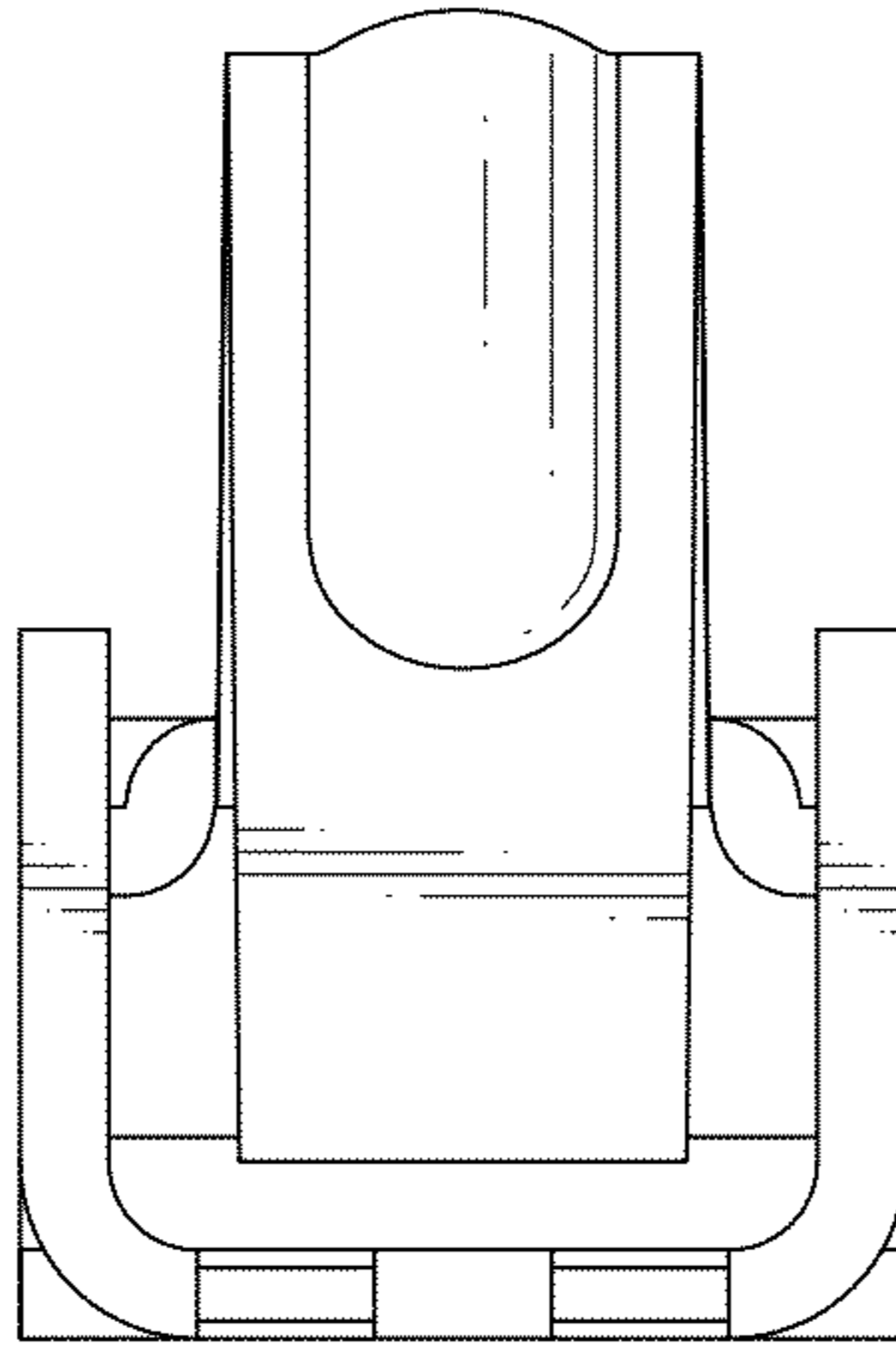


FIG.2

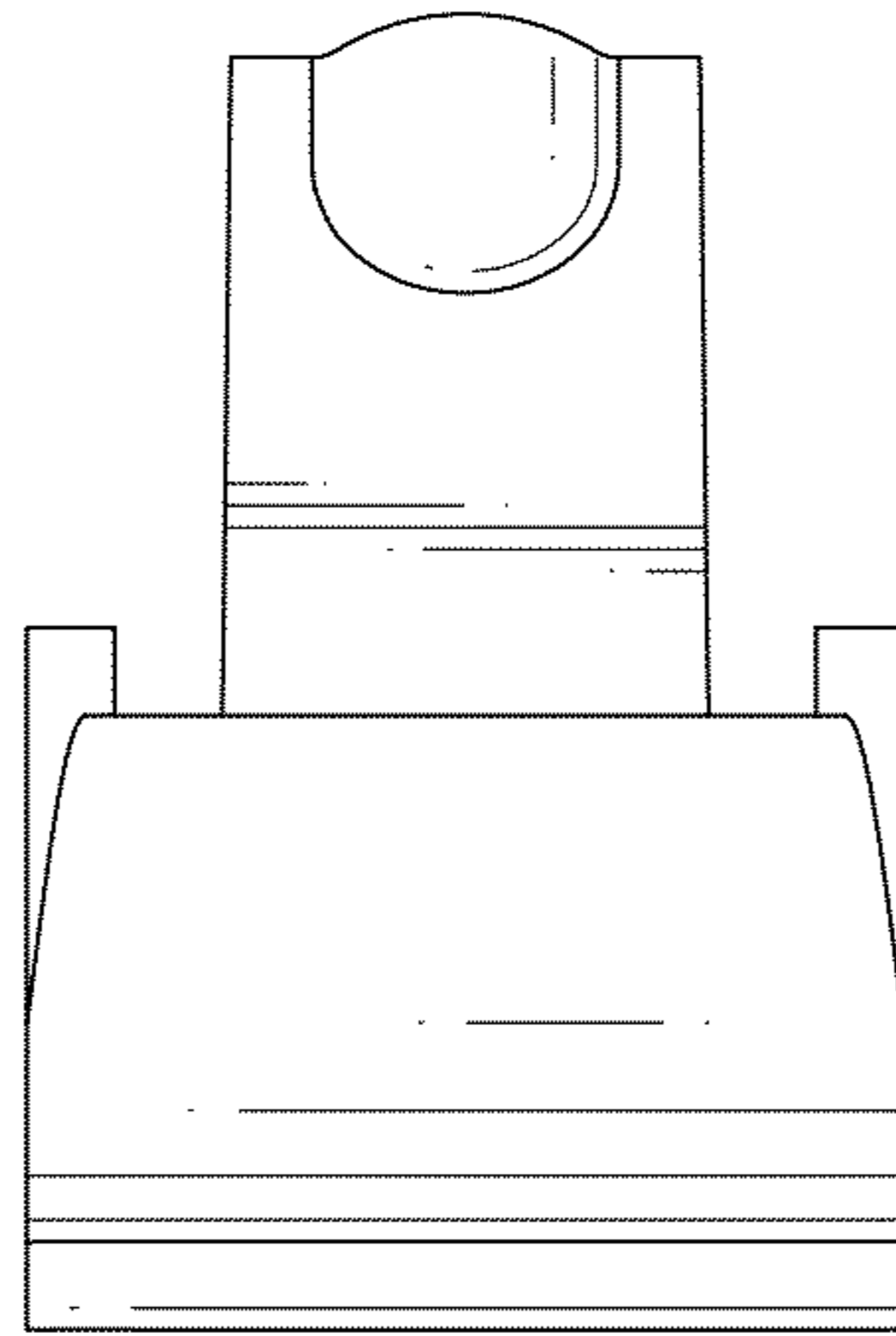


FIG.3

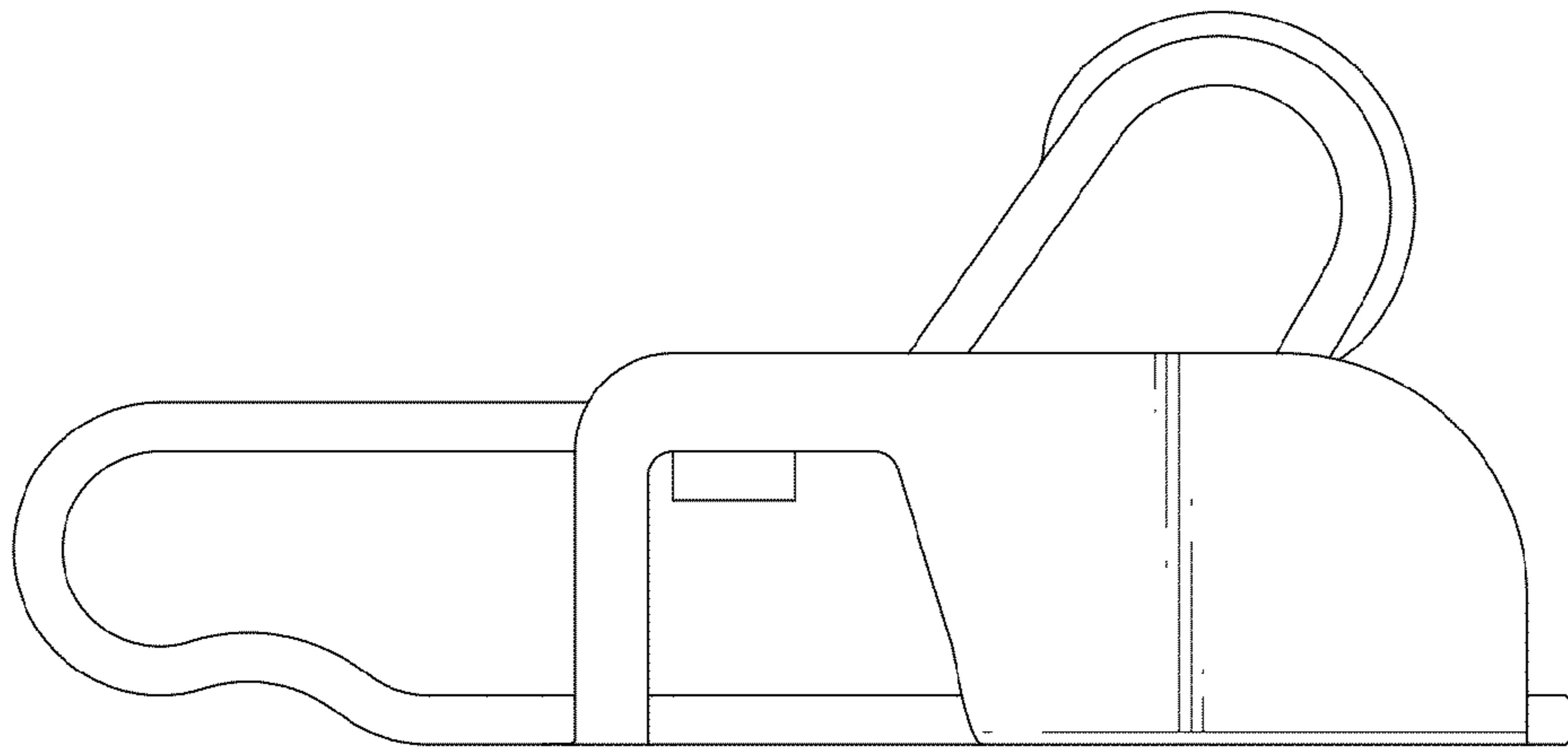


FIG.4

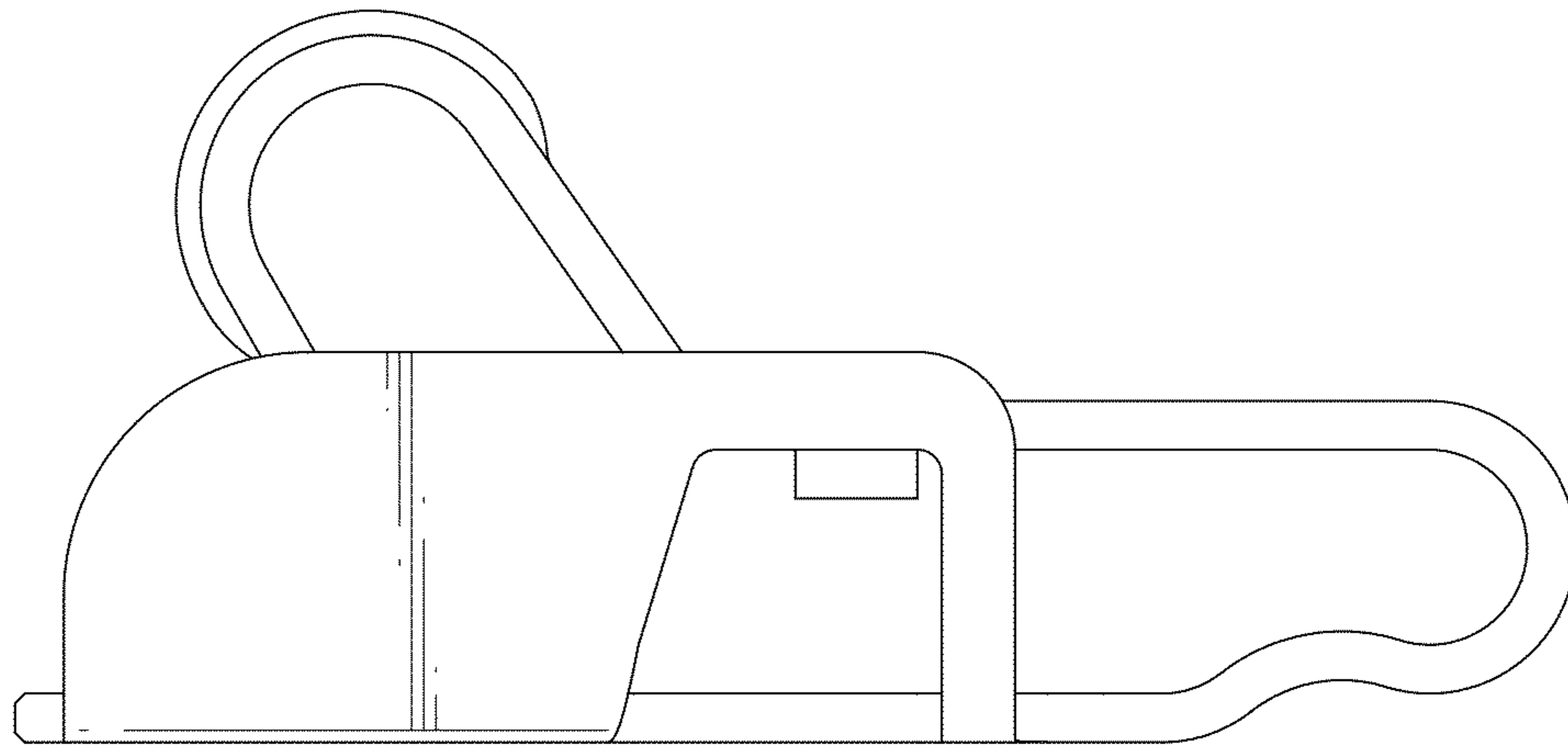


FIG.5

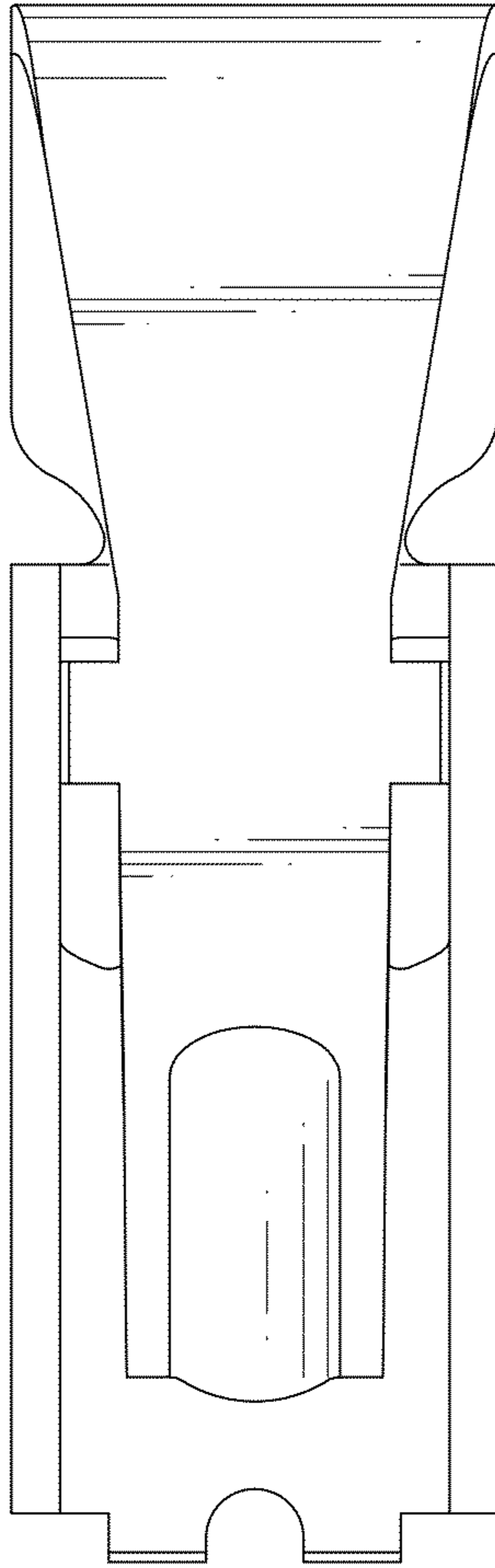


FIG.6

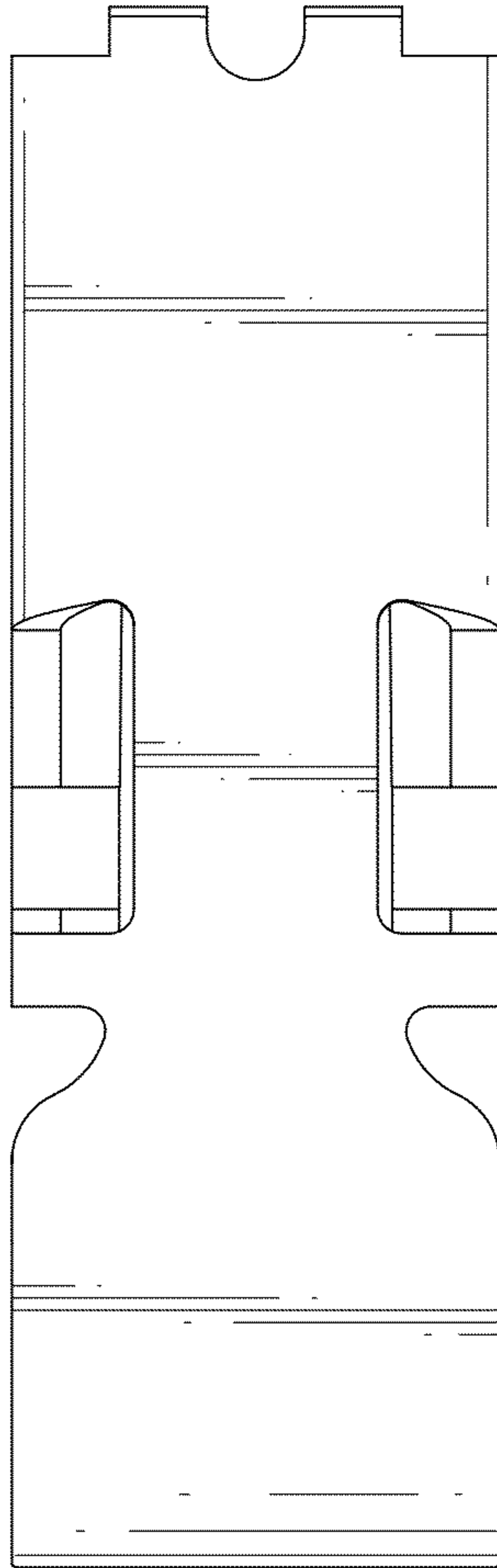


FIG.7