



US00D744957S

(12) **United States Design Patent**  
**Tal**

(10) **Patent No.:** **US D744,957 S**  
(45) **Date of Patent:** **\*\* Dec. 8, 2015**

(54) **QUAD SMALL FORM-FACTOR PLUGGABLE  
EXTRACTION LATCH DESIGN FOR AOC**

*Primary Examiner* — Daniel Bui  
(74) *Attorney, Agent, or Firm* — Mark M. Friedman

(71) Applicant: **MELLANOX TECHNOLOGIES,  
LTD.**, Yokneam (IL)

(57) **CLAIM**  
The ornamental design for a quad small form-factor pluggable extraction latch design for AOC, as shown and described.

(72) Inventor: **Miki Tal**, Zur Yitzhak (IL)

(73) Assignee: **MELLANOX TECHNOLOGIES  
LTD.**, Yokneam (IL)

**DESCRIPTION**

(\*\*) Term: **14 Years**

FIG. 1 is a top perspective view of a quad small form-factor pluggable extraction latch design for AOC, showing my new design;  
FIG. 2 is an enlarged view of area 2 in FIG. 1 thereof;  
FIG. 3 is a side elevation view thereof;  
FIG. 4 is a top elevation view thereof;  
FIG. 5 is an enlarged view of area 5 in FIG. 4 thereof;  
FIG. 6 is a top perspective view of the environment thereof;  
FIG. 7 is a side elevation view of the environment thereof;  
FIG. 8 is a top elevation view of the environment thereof; and,  
FIG. 9 is a top elevation of the quad small form-factor pluggable extraction latch design for AOC thereof, in use condition with environment.

(21) Appl. No.: **29/481,151**

(22) Filed: **Feb. 2, 2014**

(51) **LOC (10) Cl.** ..... **13-03**

(52) **U.S. Cl.**  
USPC ..... **D13/154**

(58) **Field of Classification Search**  
USPC ..... D13/147, 154, 184, 199  
See application file for complete search history.

The broken lines in the drawing views is for illustration unclaimed environment only, and forms no parts of the claimed design.

(56) **References Cited**

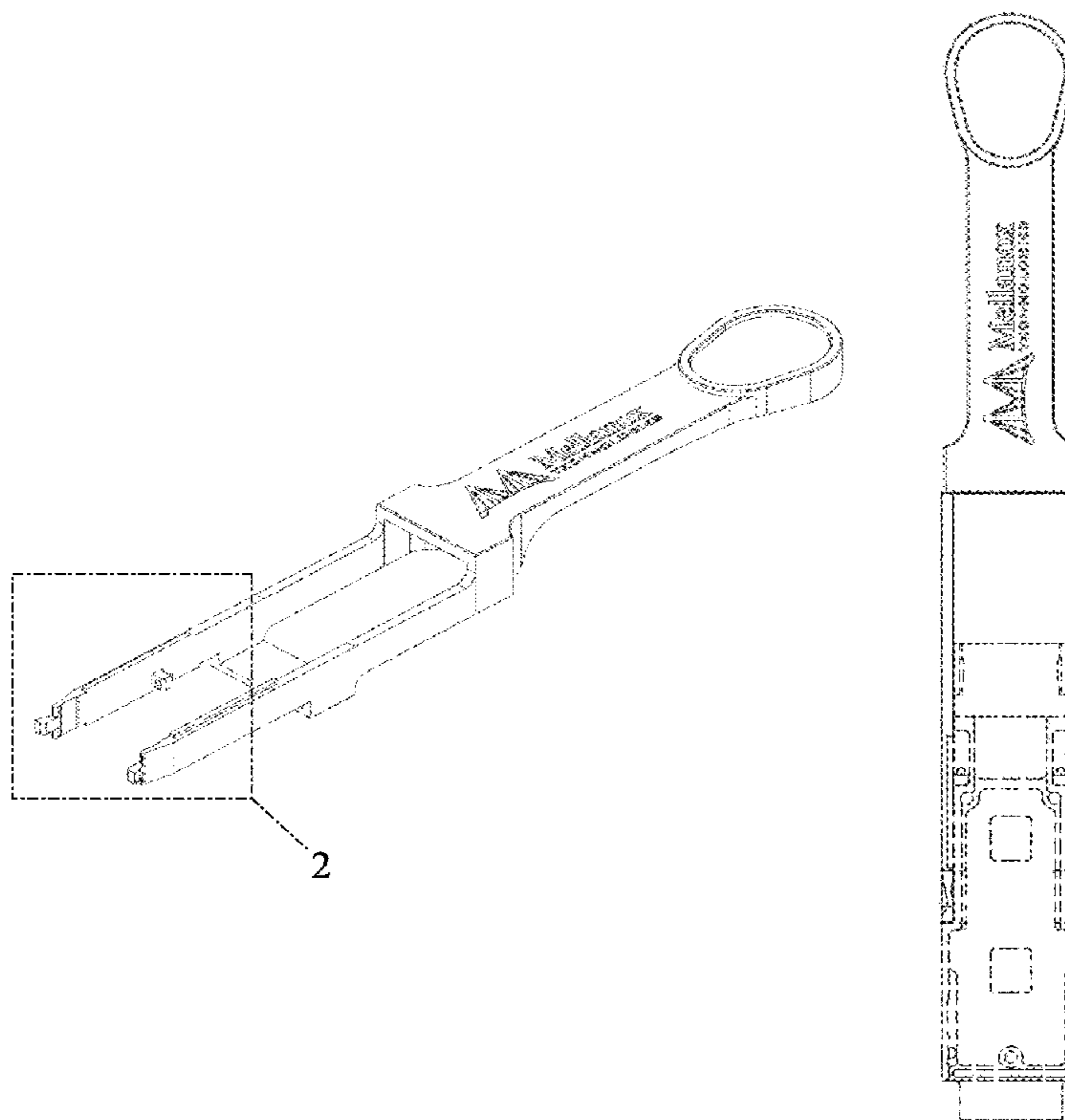
**U.S. PATENT DOCUMENTS**

- D475,013 S \* 5/2003 Grimm ..... D13/133
- D599,300 S \* 9/2009 Ohshima et al. .... D13/154
- D654,434 S \* 2/2012 Ishigami et al. .... D13/123
- 2014/0348468 A1 \* 11/2014 Lagziel et al. .... 385/78

The wordings and the logo shown in FIGS. 1, 3 and 7 forming part of the claimed design, are registered trademarks owned by Mellanox Technologies, Inc.

\* cited by examiner

**1 Claim, 7 Drawing Sheets**



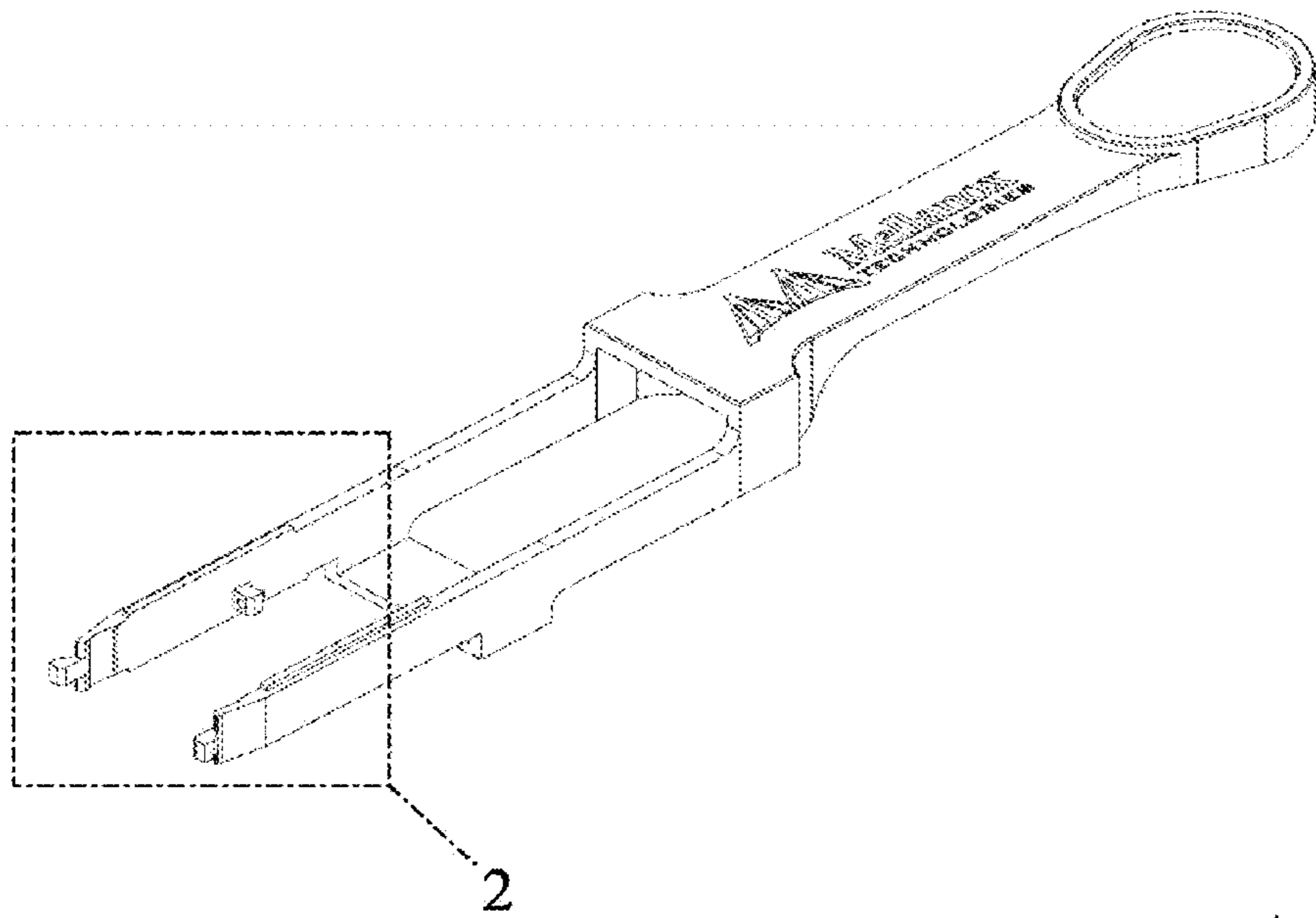


FIG. 1

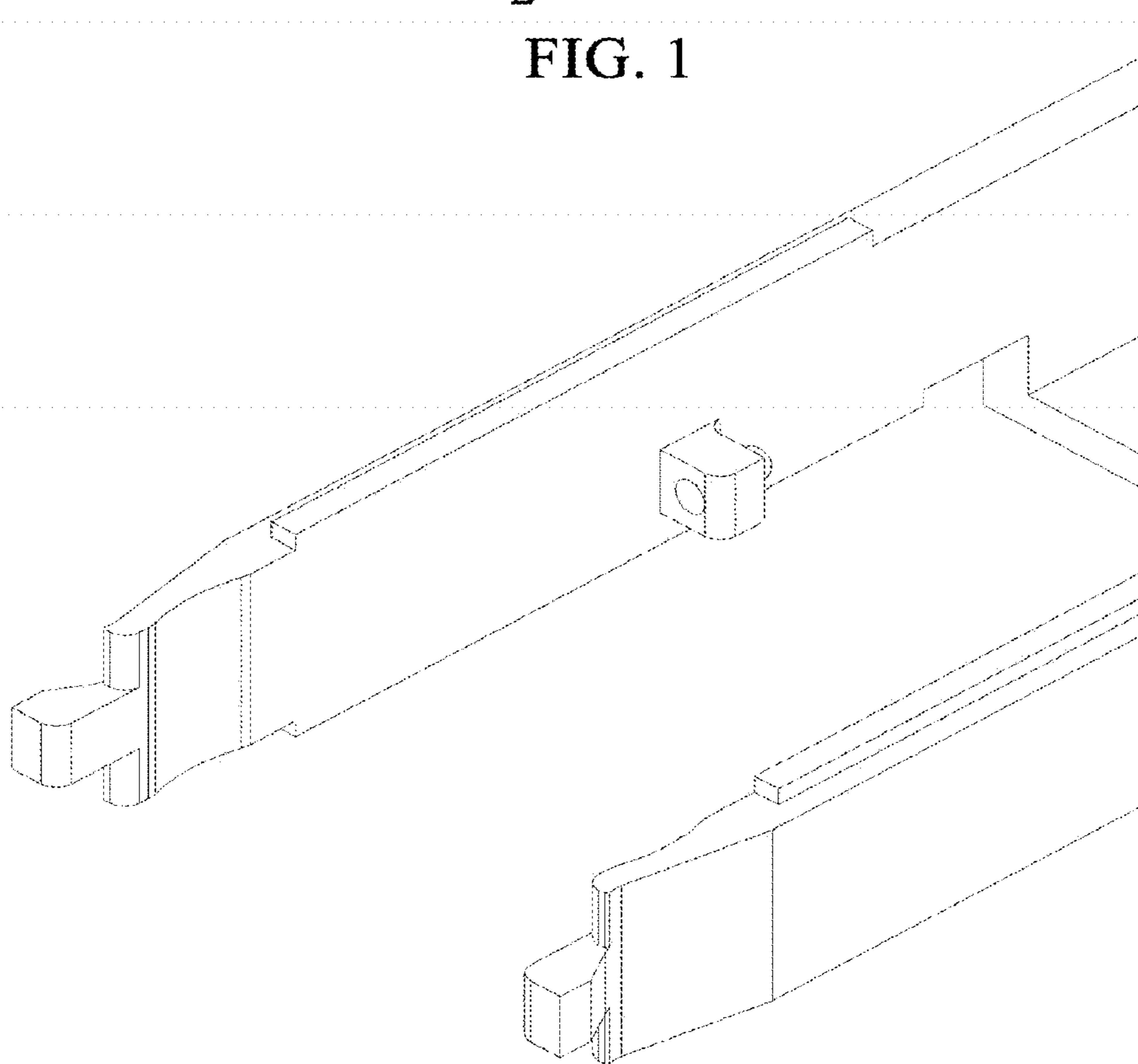


FIG. 2

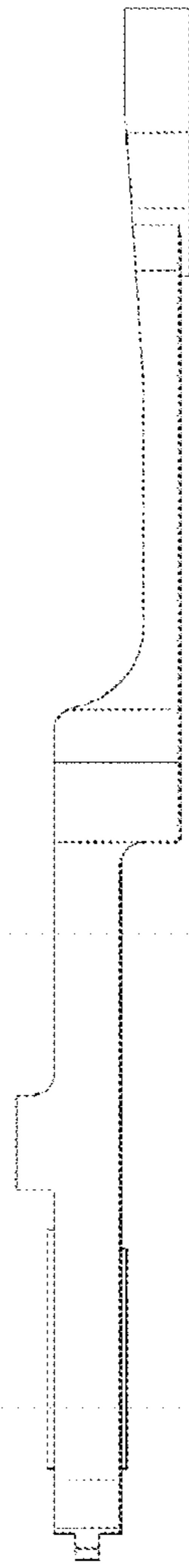


FIG. 3

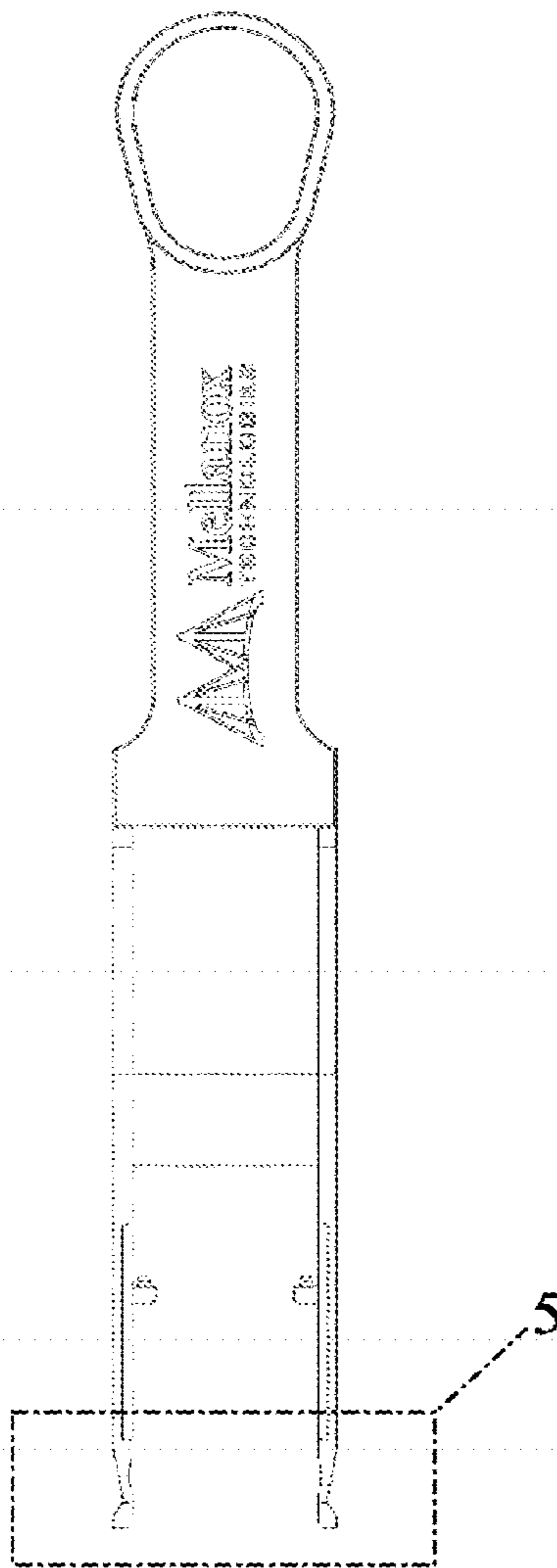


FIG. 4

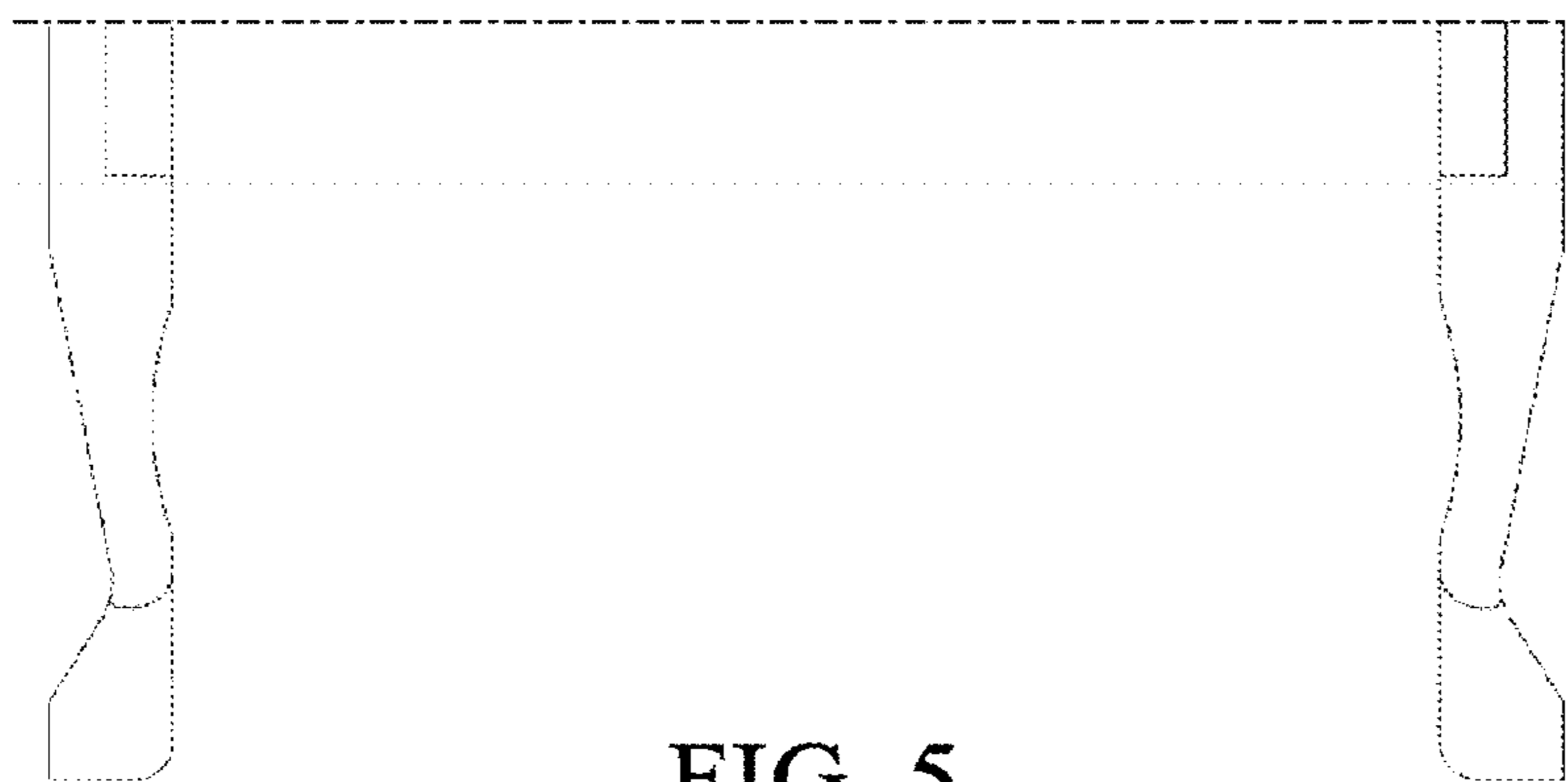


FIG. 5

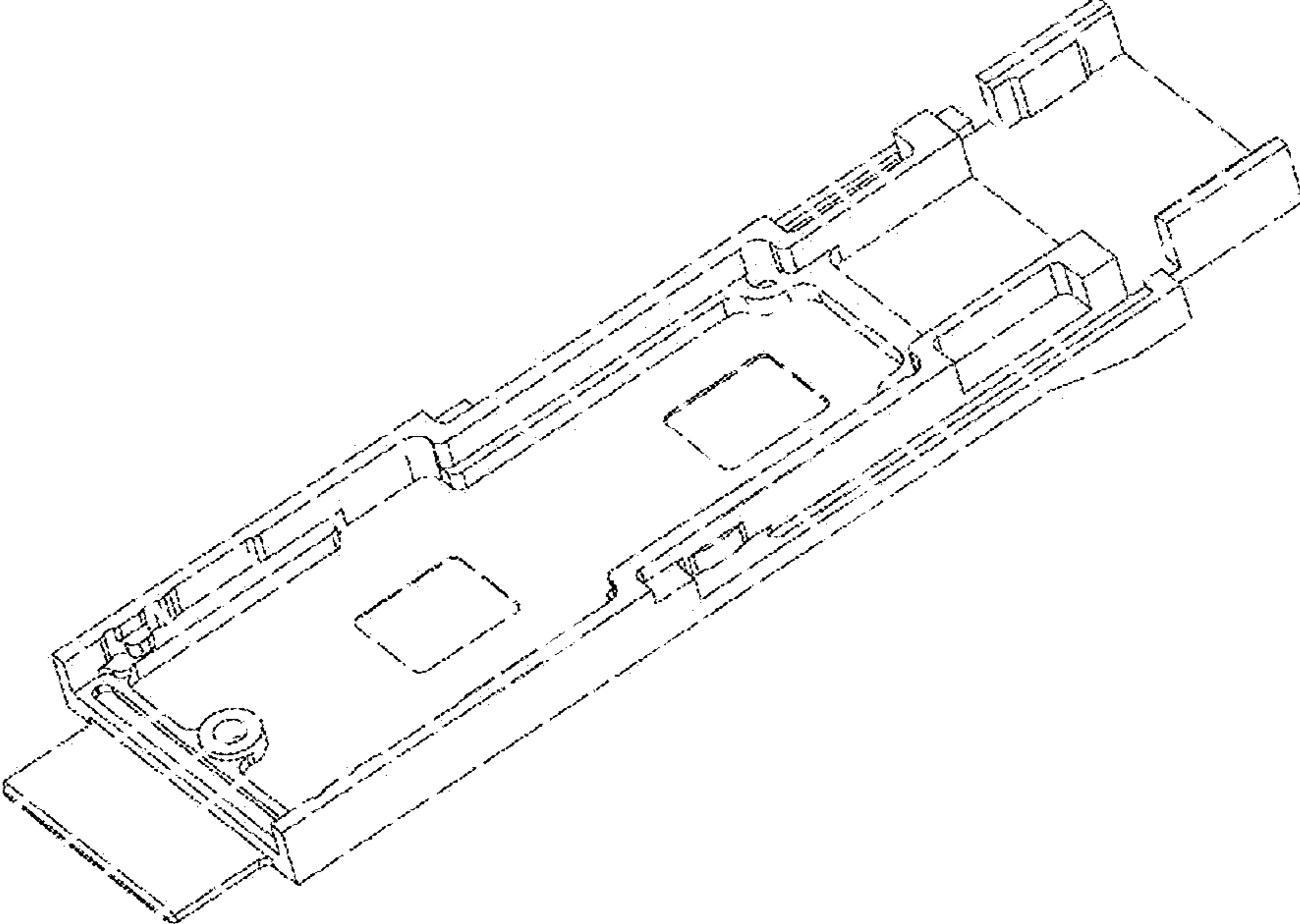


FIG. 6

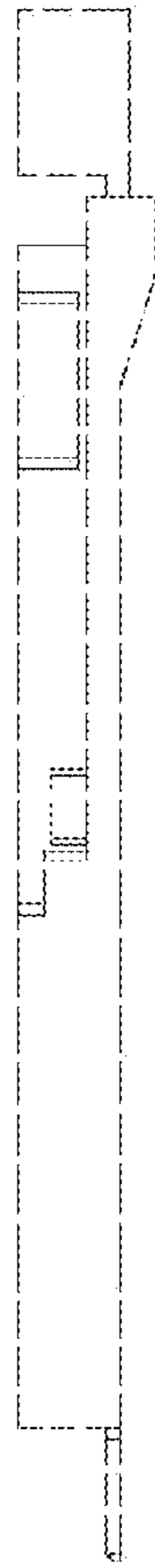


FIG. 7

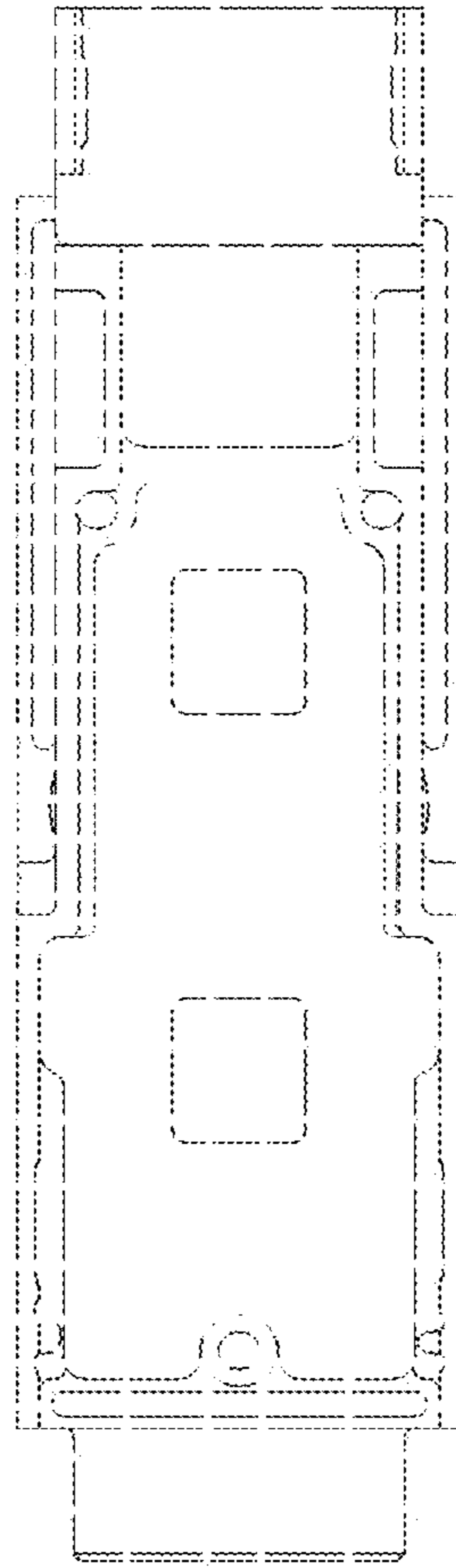


FIG. 8

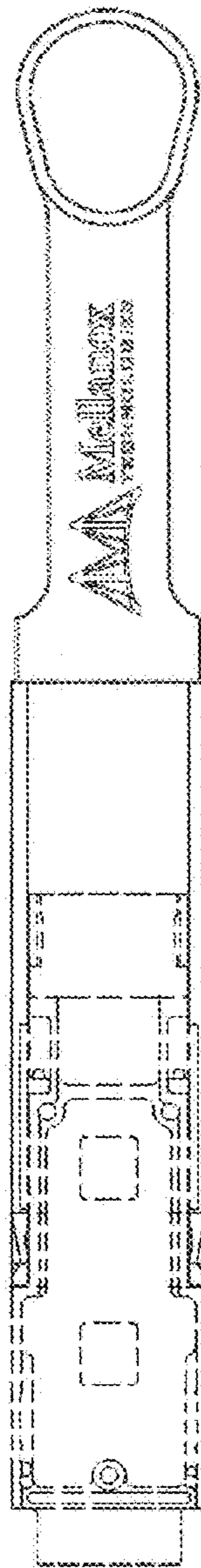


FIG. 9