



US00D744954S

(12) **United States Design Patent**
Ishiguro et al.

(10) **Patent No.:** **US D744,954 S**

(45) **Date of Patent:** **** Dec. 8, 2015**

(54) **CONNECTOR**

(71) Applicant: **Japan Aviation Electronics Industry, Limited**, Tokyo (JP)

(72) Inventors: **Masaki Ishiguro**, Tokyo (JP); **Hideto Shimazu**, Tokyo (JP)

(73) Assignee: **JAPAN AVIATION ELECTRONICS INDUSTRY, LIMITED**, Tokyo (JP)

(**) Term: **14 Years**

(21) Appl. No.: **29/510,909**

(22) Filed: **Dec. 4, 2014**

(30) **Foreign Application Priority Data**

Jun. 16, 2014 (JP) 2014-012948

(51) **LOC (10) Cl.** **13-03**

(52) **U.S. Cl.**
USPC **D13/147**

(58) **Field of Classification Search**
USPC D13/133, 146, 147, 154, 184, 199
See application file for complete search history.

(56) **References Cited**

U.S. PATENT DOCUMENTS

D306,011 S * 2/1990 **Komatsu** D13/147
D381,628 S * 7/1997 **Ashida** D13/147
D444,129 S * 6/2001 **Arai** D13/147

D445,402 S * 7/2001 **Arai** D13/147
D447,732 S * 9/2001 **Arai** D13/147
D672,316 S * 12/2012 **Miyoshi** D13/147

* cited by examiner

Primary Examiner — Daniel Bui

(74) *Attorney, Agent, or Firm* — Manabu Kanesaka

(57) **CLAIM**

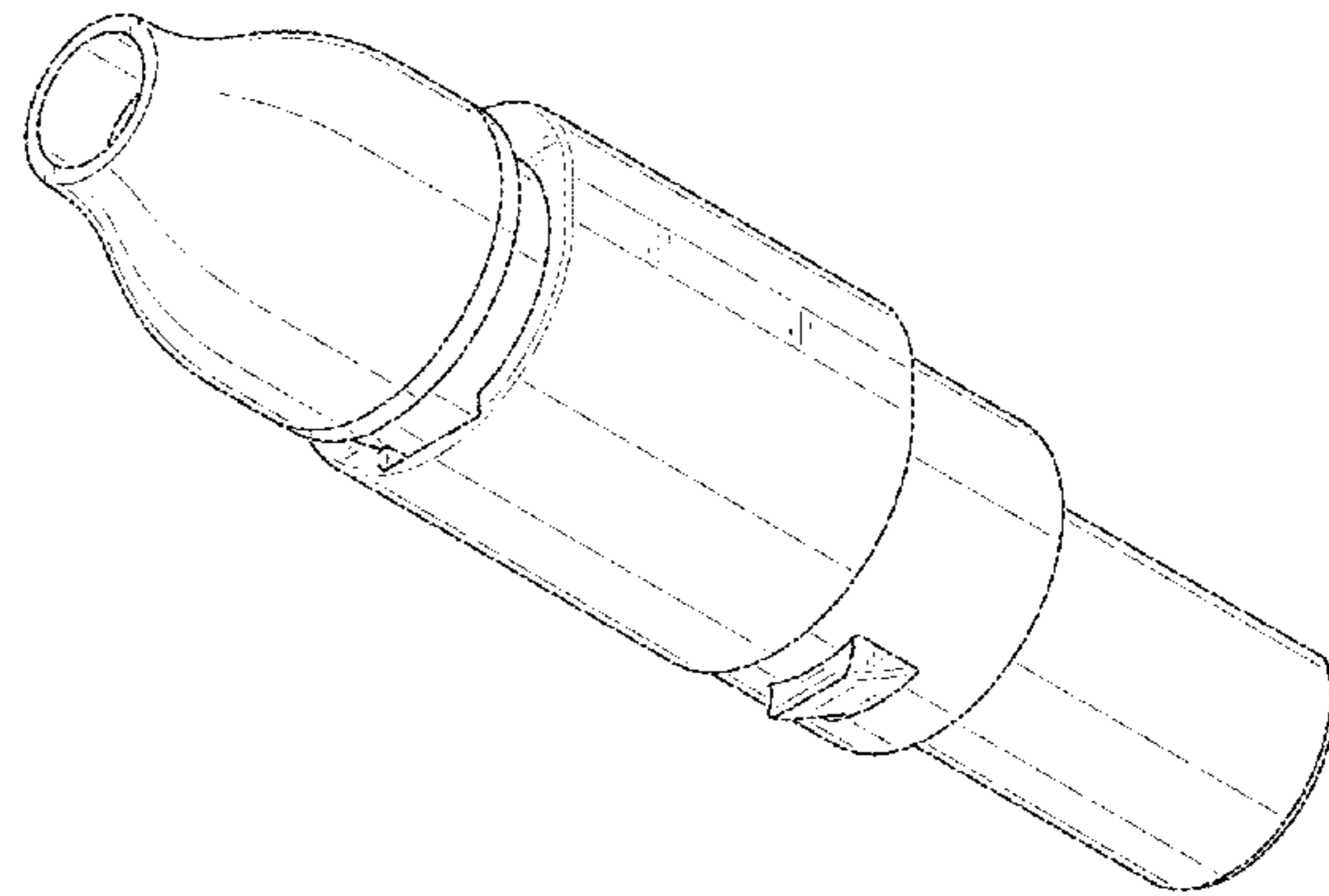
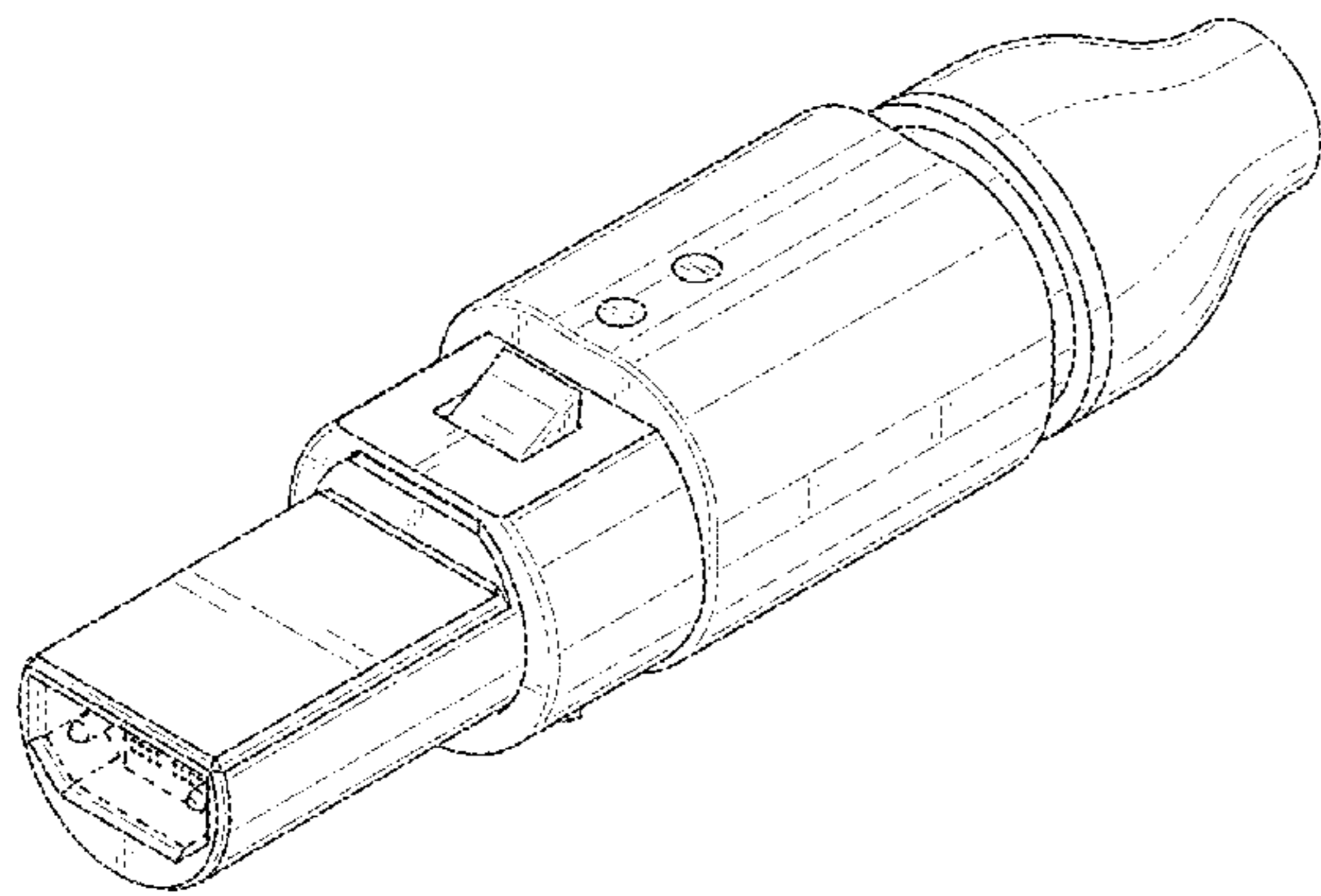
The ornamental design for a connector, as shown and described.

DESCRIPTION

FIG. 1 is a front elevation view of a connector showing our new design;
FIG. 2 is a rear elevation view thereof;
FIG. 3 is a right side elevation view thereof;
FIG. 4 is a left side elevation view thereof;
FIG. 5 is a top plan view thereof;
FIG. 6 is a bottom plan view thereof;
FIG. 7 is a perspective view showing a front, top and right side thereof;
FIG. 8 is a perspective view showing a rear, bottom and left side thereof;
FIG. 9 is a perspective view showing a front, right side and bottom thereof; and,
FIG. 10 is a perspective view showing a rear, left side and top thereof.

The broken line in the figure drawings is included to show unclaimed environment only and forms no part of the claimed design.

1 Claim, 5 Drawing Sheets



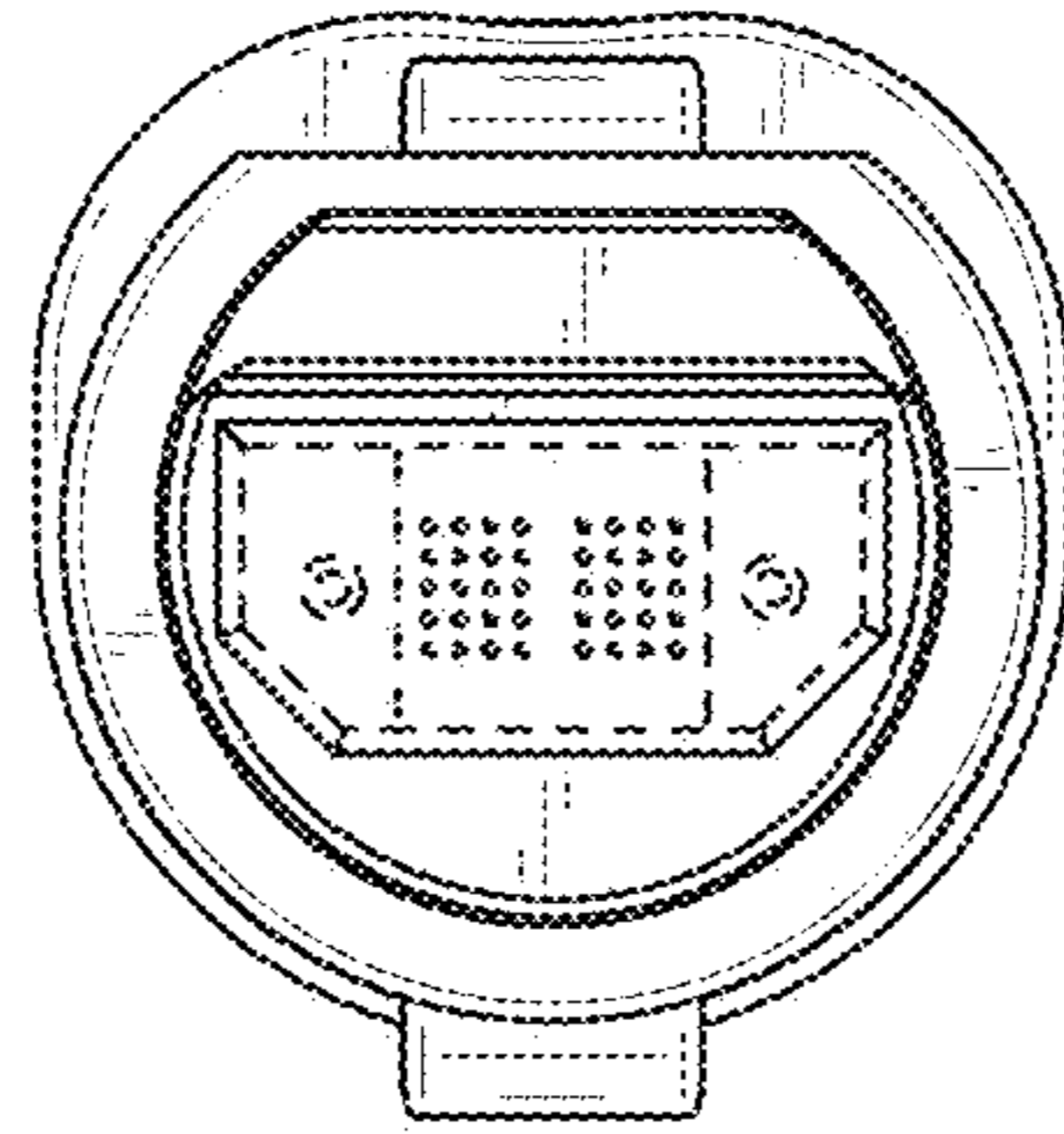


FIG. 1

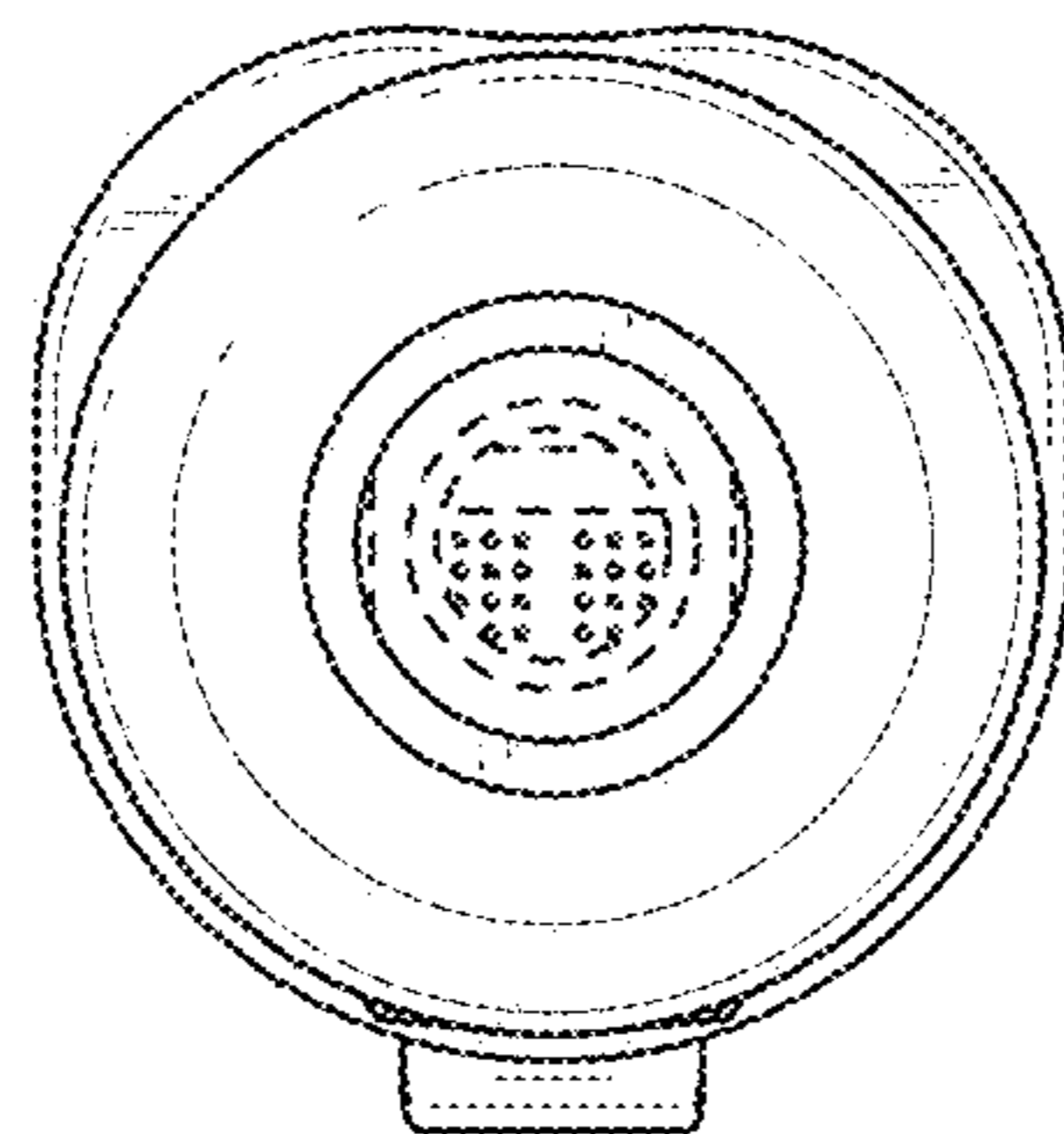


FIG. 2

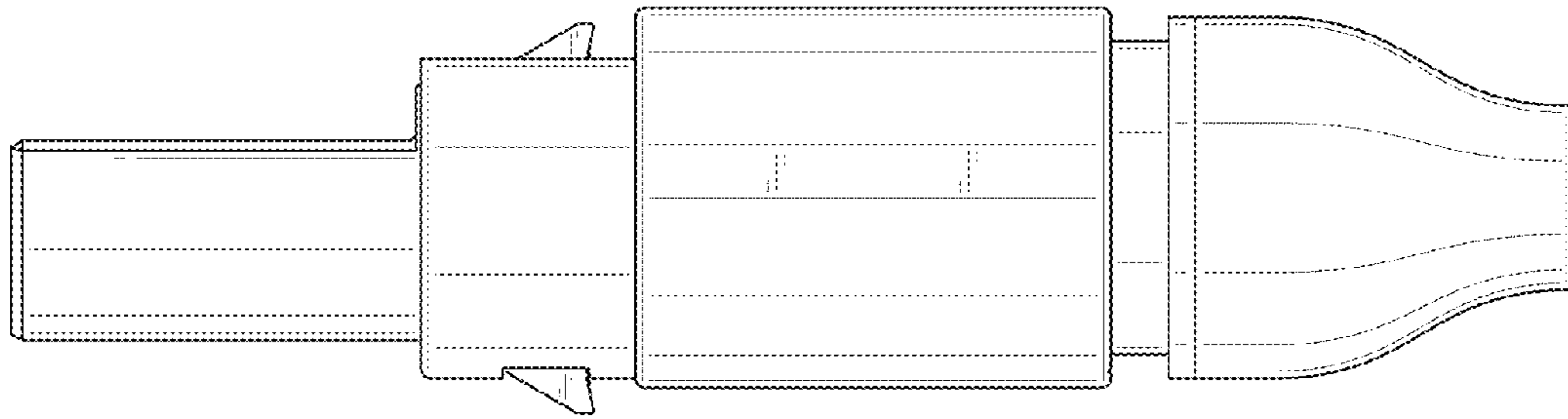


FIG. 3

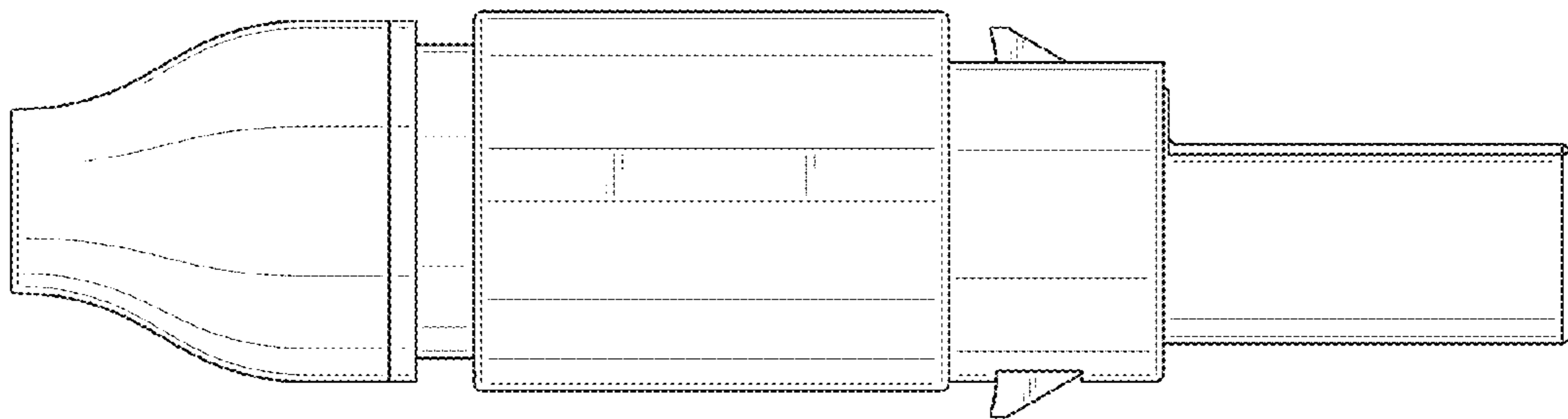


FIG. 4

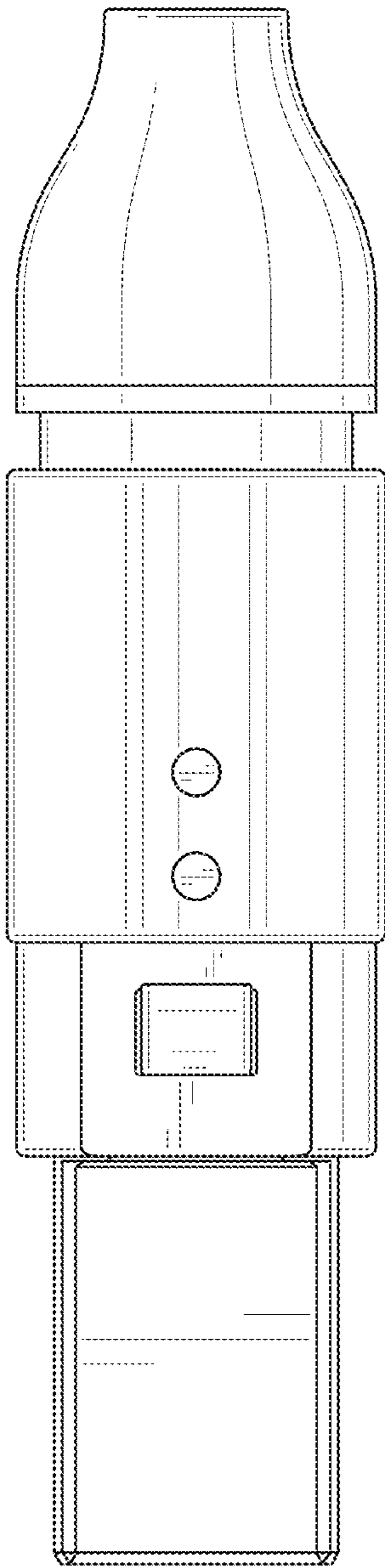


FIG. 5

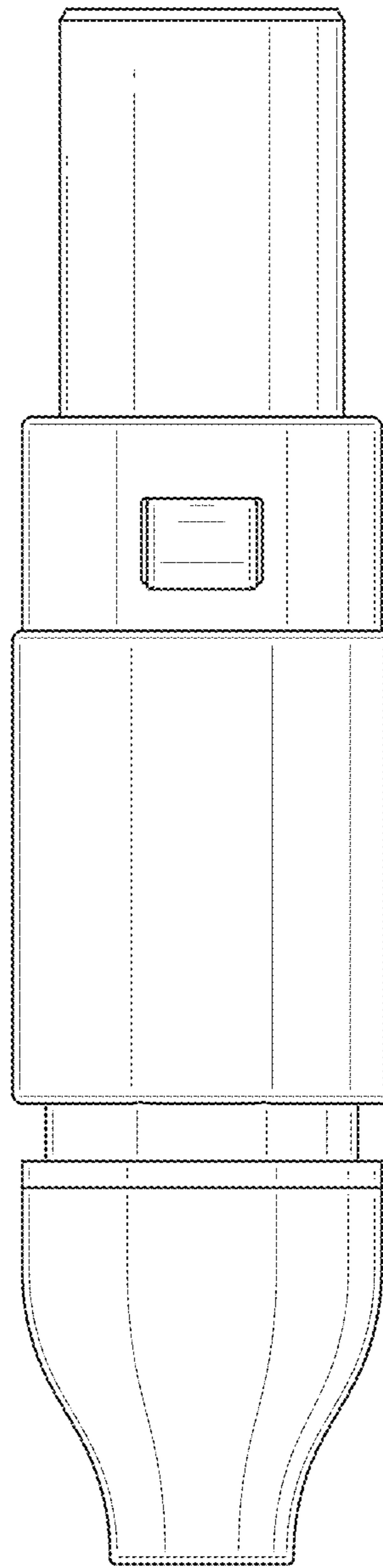


FIG. 6

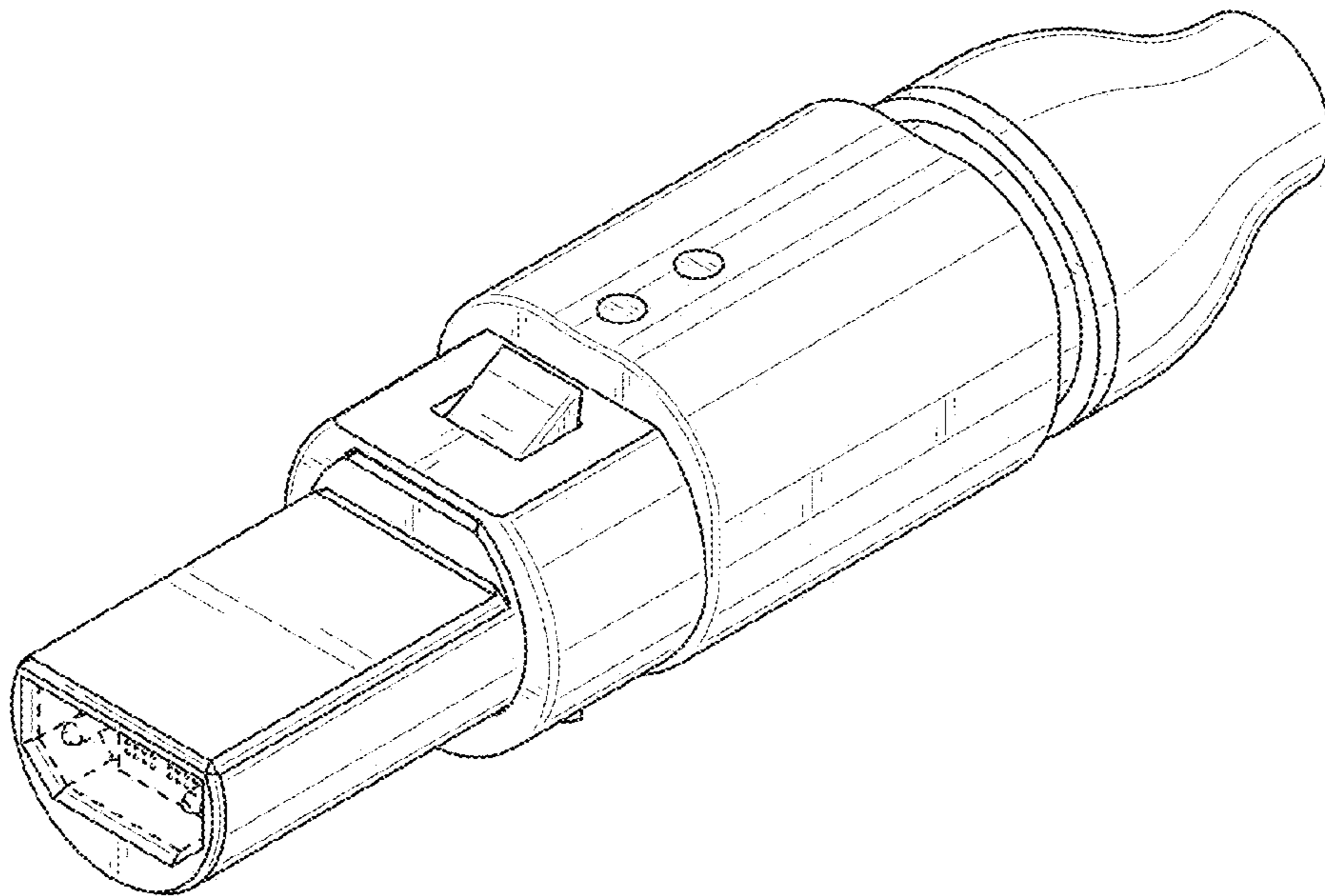


FIG. 7

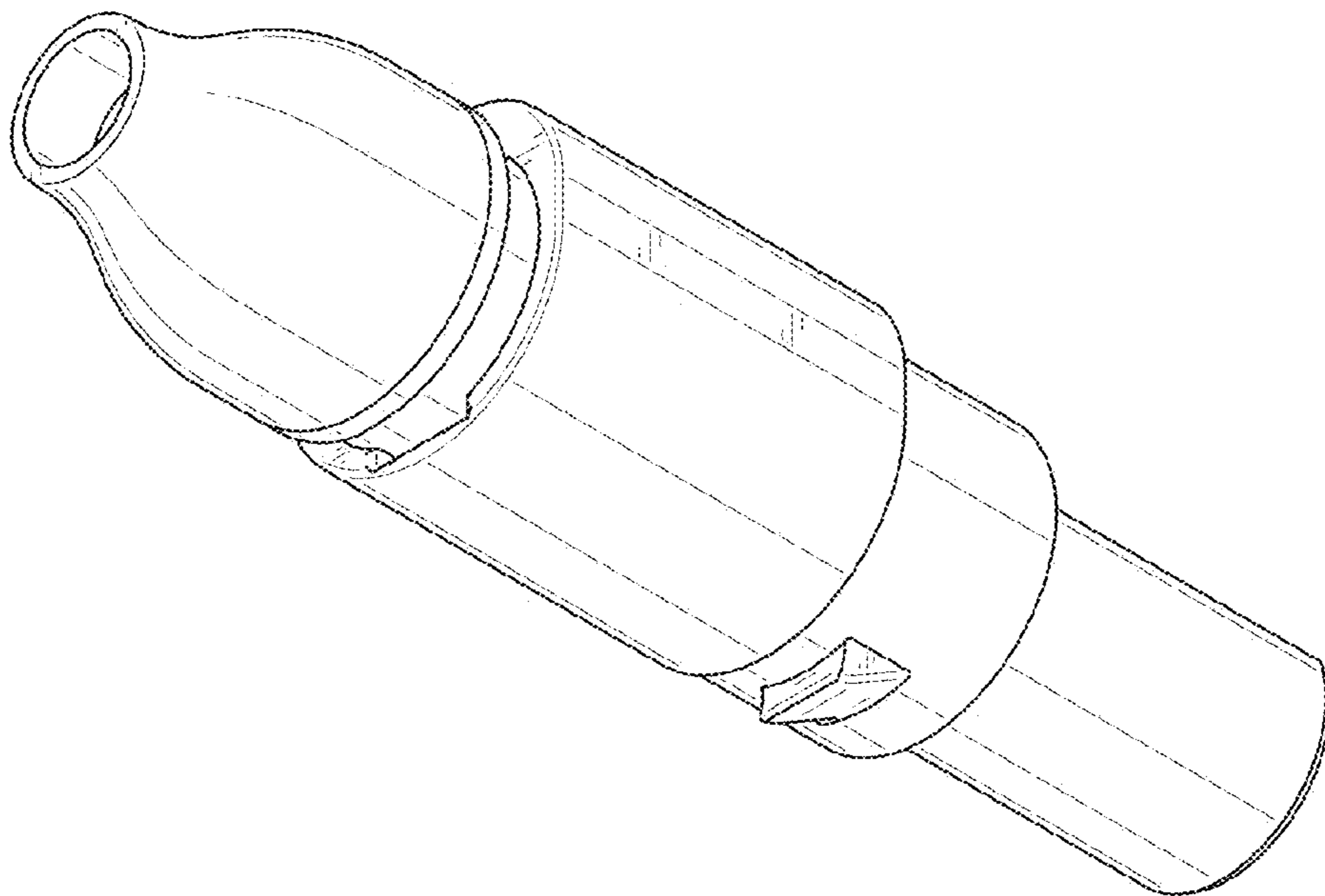


FIG. 8

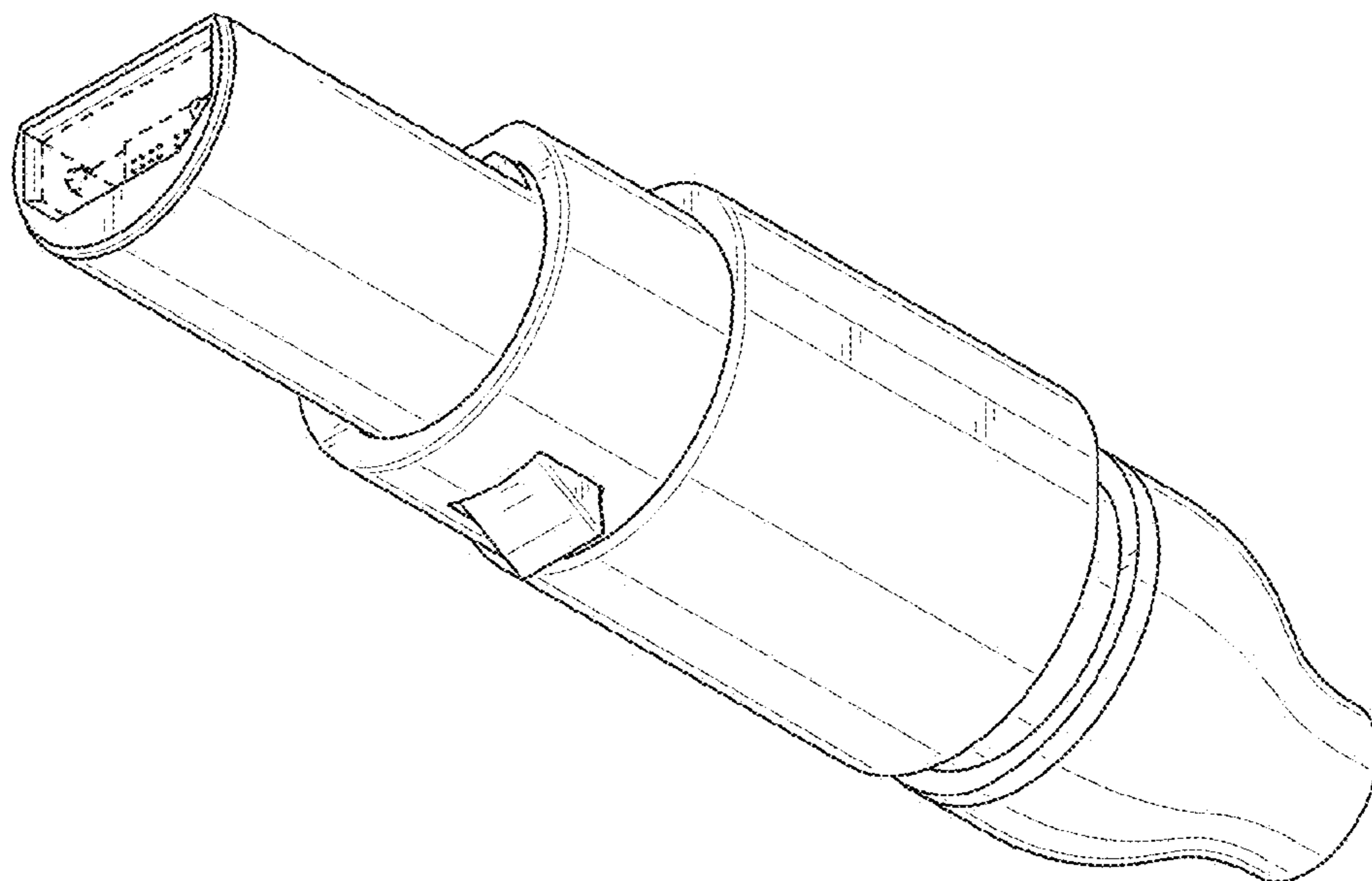


FIG. 9

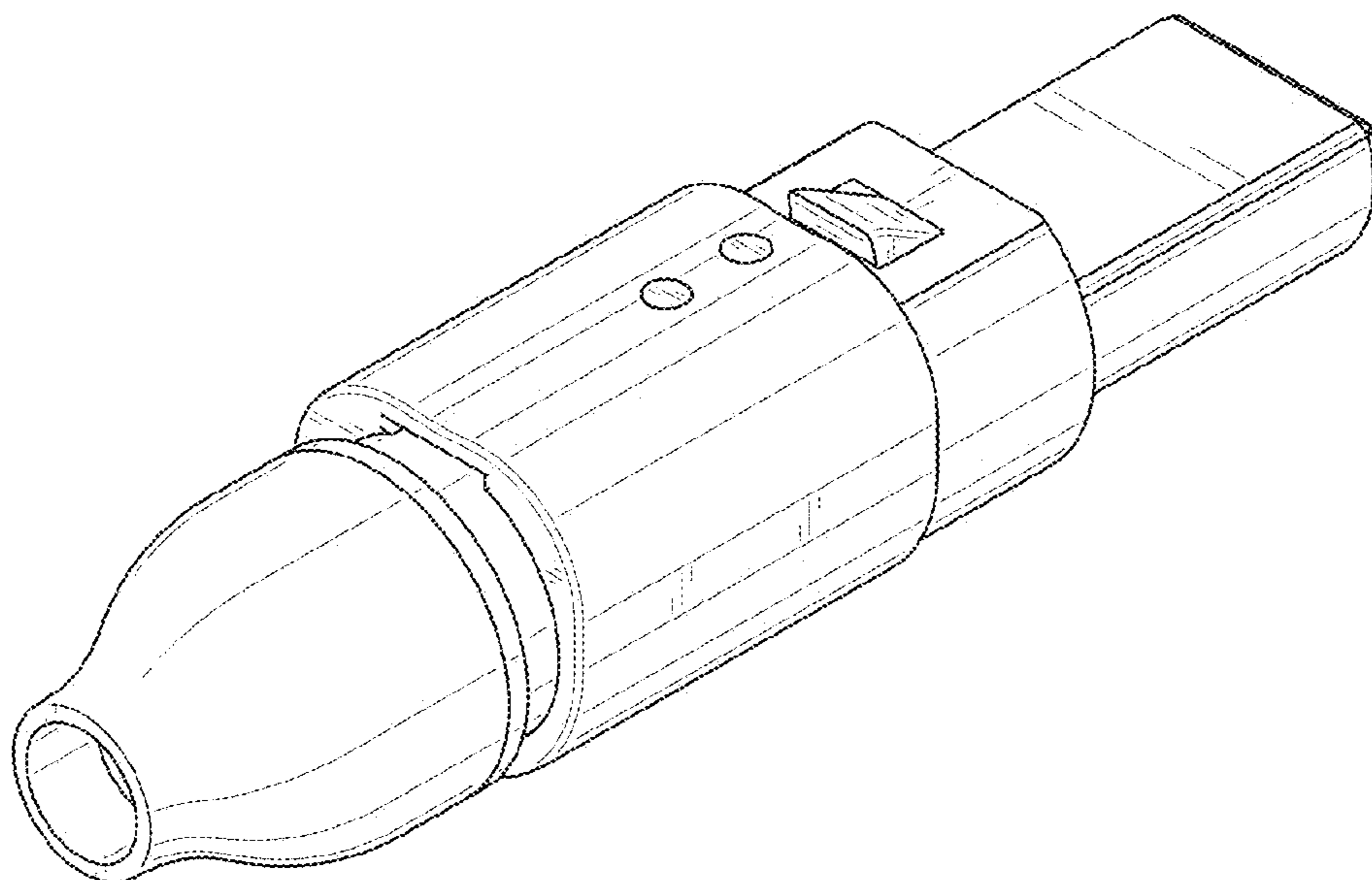


FIG. 10