



US00D744953S

(12) **United States Design Patent**
Byrne et al.

(10) **Patent No.:** **US D744,953 S**
(45) **Date of Patent:** **** Dec. 8, 2015**

(54) **ELECTRICAL POWER UNIT FOR A WORK SURFACE**

(71) Applicant: **Norman R. Byrne**, Ada, MI (US)

(72) Inventors: **Daniel P. Byrne**, Lowell, MI (US);
Chad Zimmerman, Hastings, MI (US);
William F. Schacht, Grand Rapids, MI (US);
Randell E. Pate, Jenison, MI (US);
Brent A. Reame, Grand Rapids, MI (US);
Timothy J. Warwick, Sparta, MI (US)

(**) Term: **14 Years**

(21) Appl. No.: **29/507,309**

(22) Filed: **Oct. 27, 2014**

Related U.S. Application Data

(62) Division of application No. 29/452,254, filed on Apr. 15, 2013.

(51) **LOC (10) Cl.** **13-03**

(52) **U.S. Cl.**
USPC **D13/139.4**

(58) **Field of Classification Search**
USPC D13/137.1-137.4, 139.1-139.8, 199,
D13/108; 220/3.2-3.8, 3.94; 174/56, 48, 55,
174/57, 392, 490, 53, 58; 439/539, 131,
439/214, 215, 535, 538, 544, 571, 721, 652,
439/738, 723, 620.22, 137; 361/753, 56
See application file for complete search history.

(56) **References Cited**

U.S. PATENT DOCUMENTS

3,049,688	A	8/1962	Sinopoli	
D195,463	S	6/1963	Tamarin	
4,240,688	A *	12/1980	Sotolongo	439/535
4,323,723	A	4/1982	Fork et al.	
4,463,998	A *	8/1984	Reavis et al.	439/137
D288,298	S	2/1987	Yang	

D306,012	S *	2/1990	Oesterheld et al.	D13/139.8
5,195,288	A	3/1993	Penczak	
D350,939	S *	9/1994	Rossmann et al.	D13/139.8
D368,893	S *	4/1996	Harwood et al.	D13/139.8
5,566,053	A *	10/1996	Chou	361/753
D382,855	S *	8/1997	Salmond et al.	D13/139.8
D389,459	S	1/1998	Byrne	
5,738,548	A	4/1998	Rutulante	
5,748,424	A *	5/1998	Hung	361/56
D405,416	S	2/1999	Byrne	
D407,374	S	3/1999	Byrne	
D412,698	S	8/1999	Byrne	
5,964,618	A	10/1999	McCarthy	

(Continued)

Primary Examiner — Holly Baynham

Assistant Examiner — Rhea Shields

(74) *Attorney, Agent, or Firm* — Gardner, Linn, Burkhart & Flory, LLP

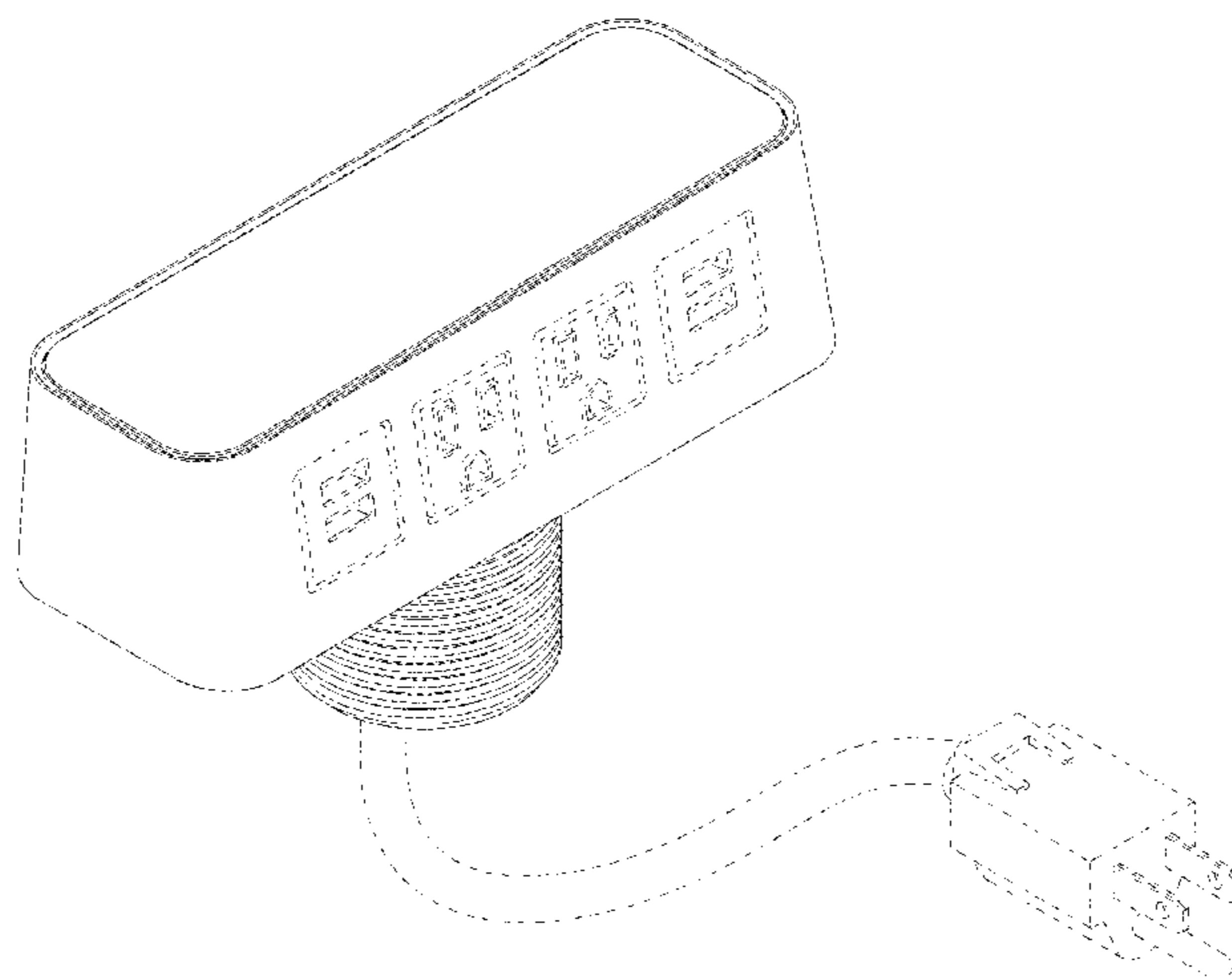
(57) **CLAIM**

The ornamental design for an electrical power unit for a work surface, as shown and described.

DESCRIPTION

FIG. 1 is a top-front perspective view of an electrical power unit for a work surface showing our new design;
FIG. 2 is a top plan view of the electrical power unit for a work surface of FIG. 1;
FIG. 3 is a bottom plan view of the electrical power unit for a work surface of FIG. 1;
FIG. 4 is a front elevation of the electrical power unit for a work surface of FIG. 1;
FIG. 5 is a rear elevation of the electrical power unit for a work surface of FIG. 1;
FIG. 6 is a right side elevation of the electrical power unit for a work surface of FIG. 1; and,
FIG. 7 is a left side elevation of the electrical power unit for a work surface of FIG. 1.
In the drawings, the broken lines depict unclaimed subject matter only and form no part of the claimed design.

1 Claim, 4 Drawing Sheets



(56)

References Cited

U.S. PATENT DOCUMENTS

5,984,728	A *	11/1999	Chen et al.	439/620.22	7,001,211	B2	2/2006	Lichtscheidl et al.	
6,004,157	A	12/1999	Glass		7,083,421	B1	8/2006	Mori	
6,081,356	A	6/2000	Branc et al.		D528,508	S *	9/2006	Tan et al.	D13/139.8
6,200,159	B1	3/2001	Chou		7,112,097	B1	9/2006	Lam	
6,379,182	B1	4/2002	Byrne		D591,233	S *	4/2009	Kagami et al.	D13/108
6,492,591	B1	12/2002	Metcalf		D626,071	S *	10/2010	Su et al.	D13/139.8
6,717,053	B2	4/2004	Rupert		D651,974	S *	1/2012	Benedetti	D13/137.2
6,875,051	B2	4/2005	Pizak		D653,215	S	1/2012	Lam	
6,971,911	B2	12/2005	Ramsey et al.		2006/0258195	A1	11/2006	Schwartz et al.	
					2007/0275594	A1	11/2007	Greenberg	
					2009/0294147	A1 *	12/2009	Stockton	174/56

* cited by examiner

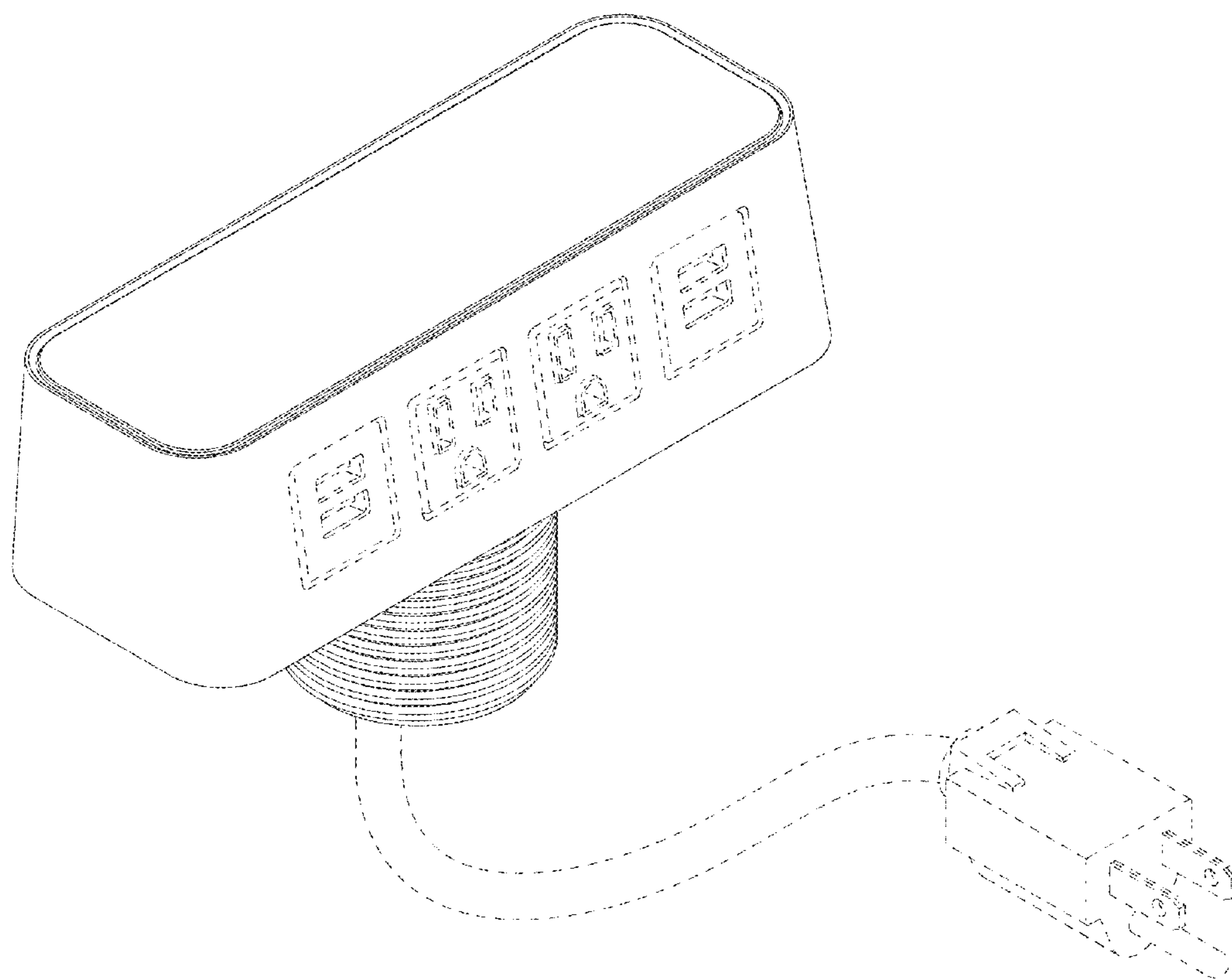


FIG. 1

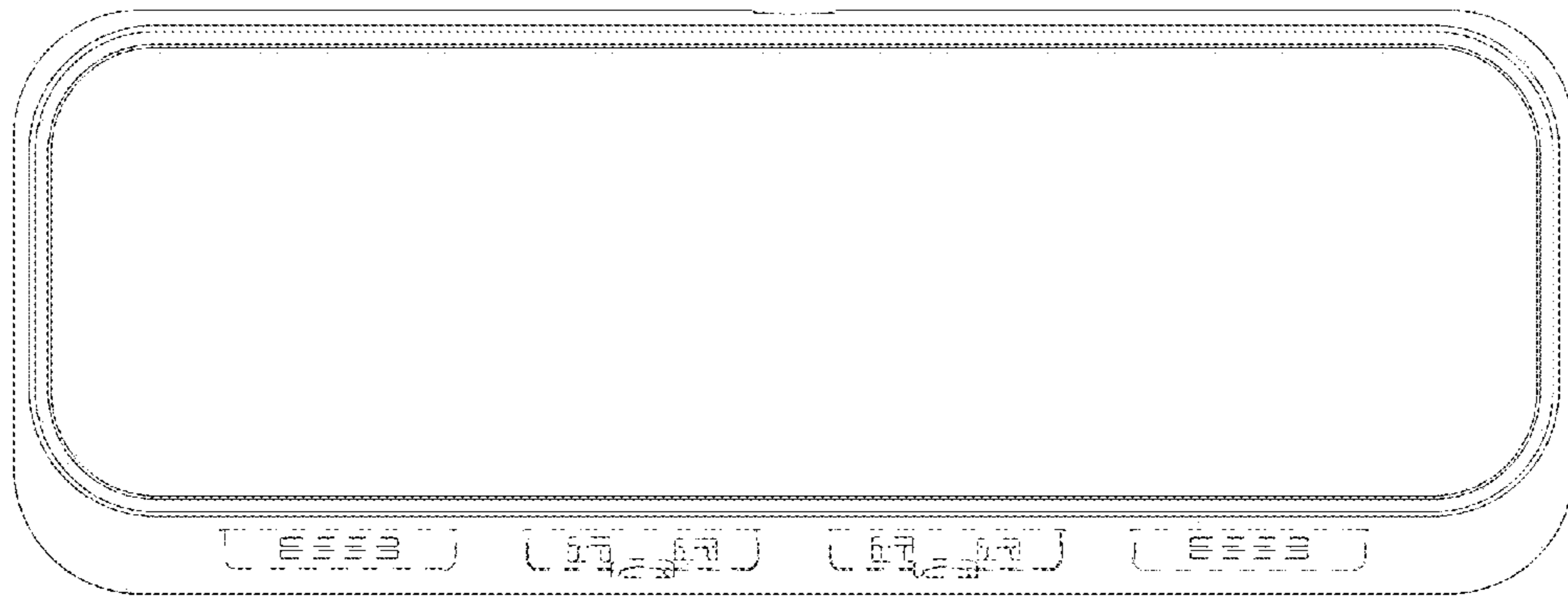


FIG. 2

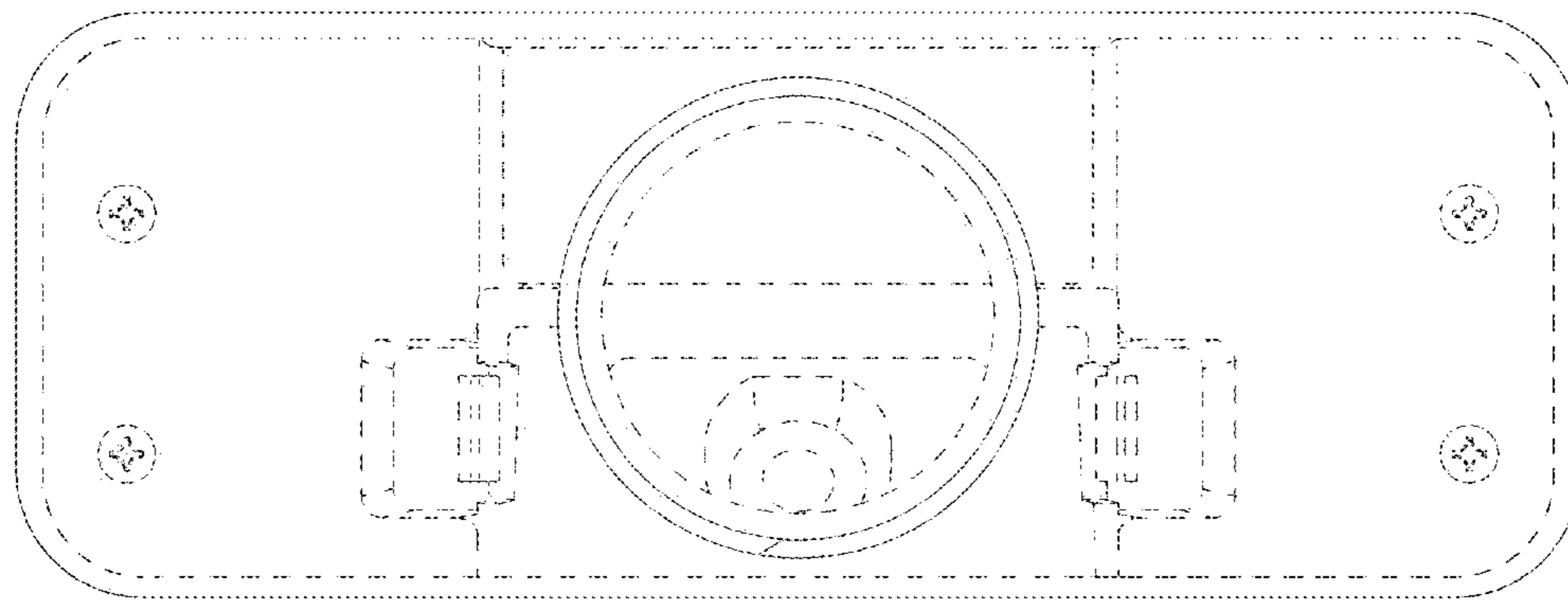
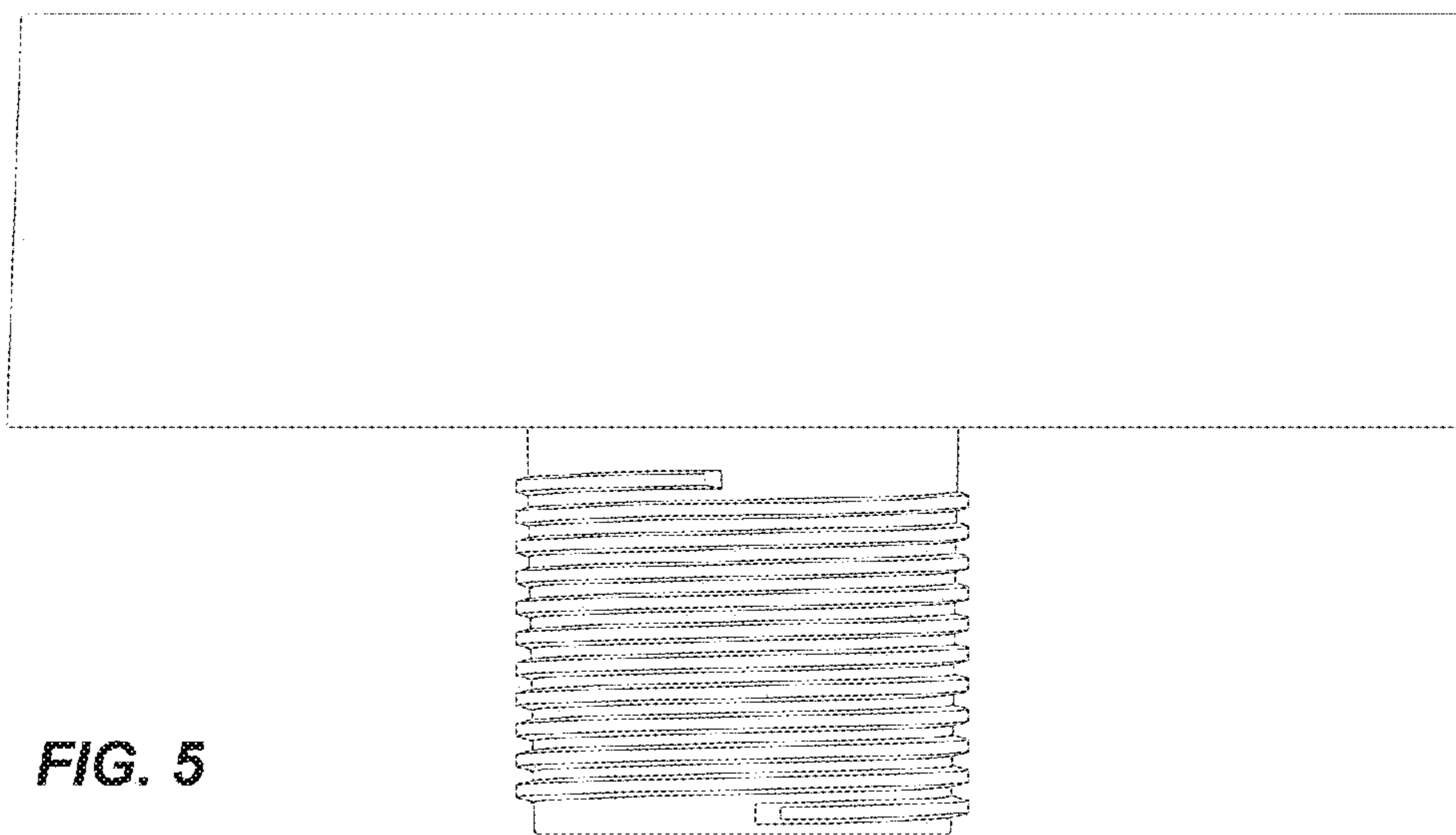
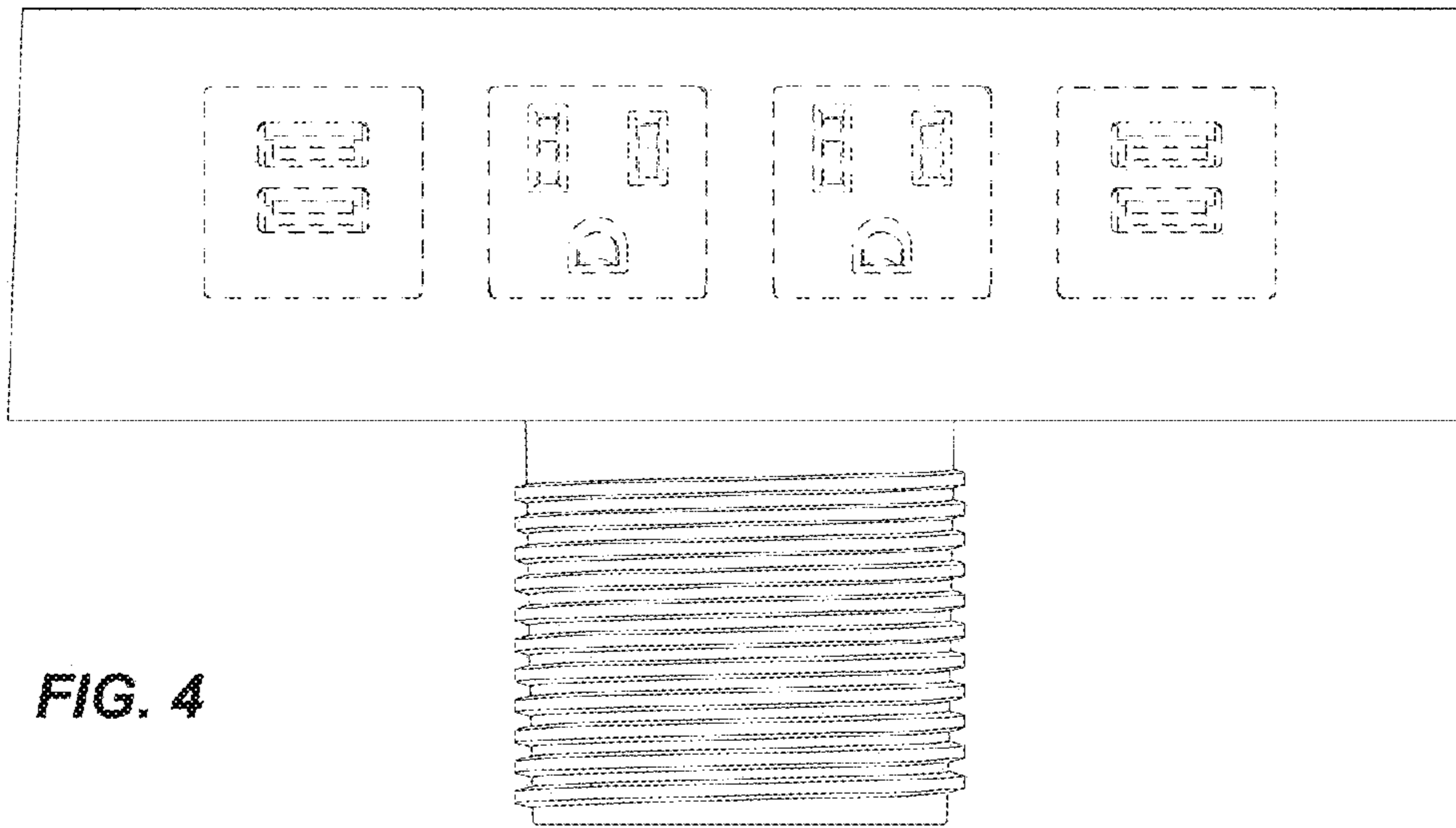


FIG. 3



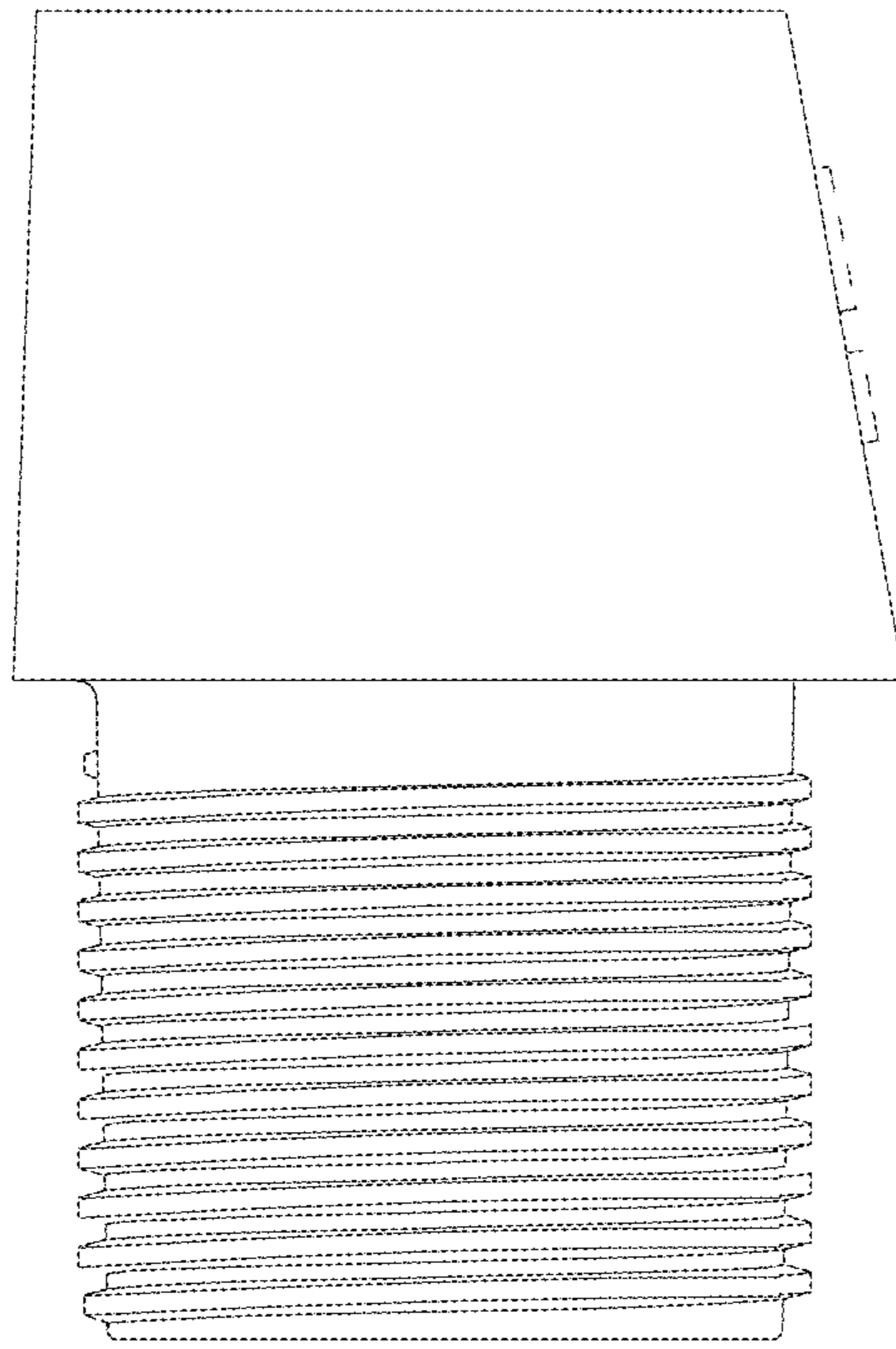


FIG. 6

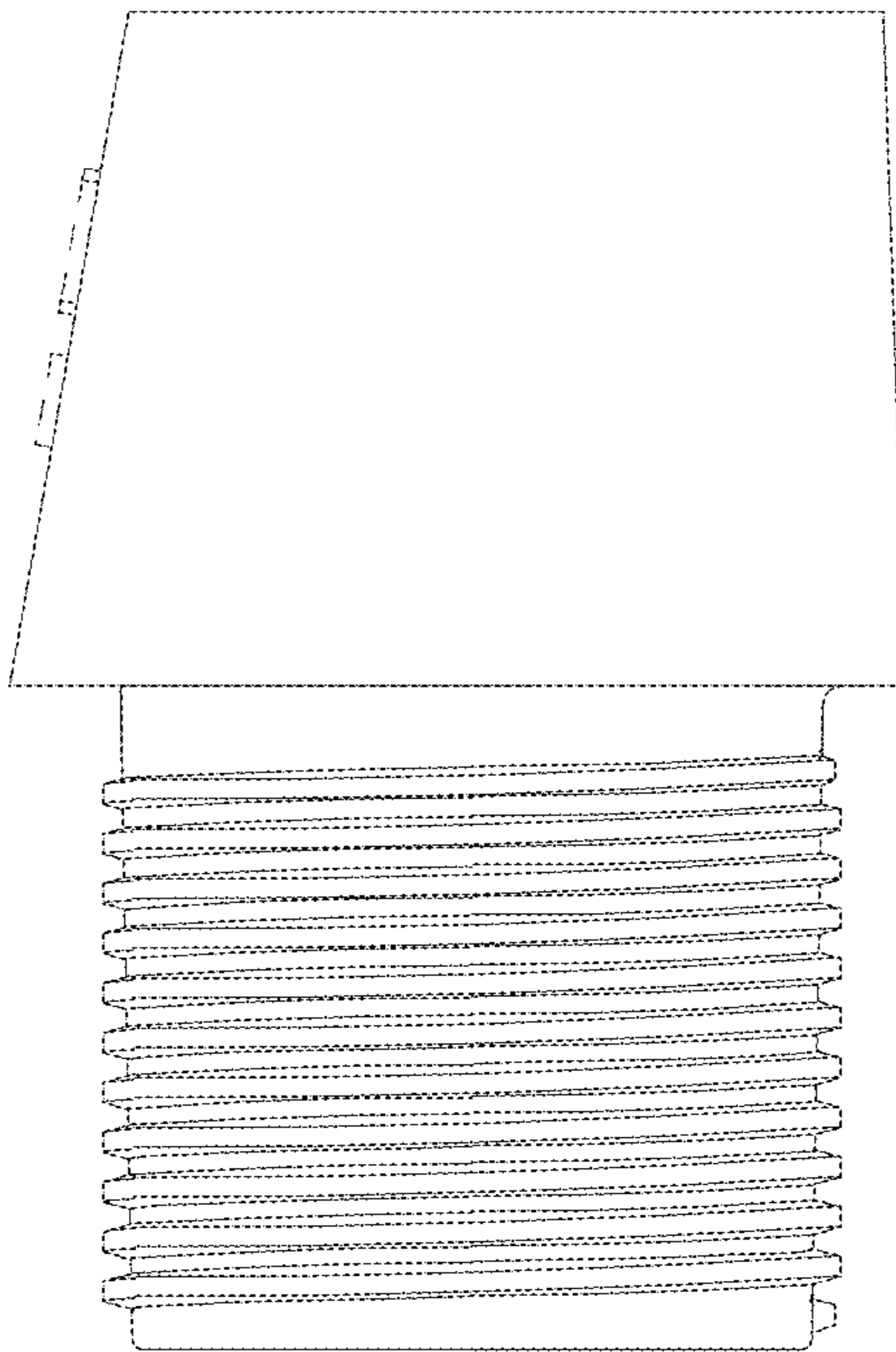


FIG. 7