



US00D744952S

(12) **United States Design Patent**
Ni et al.

(10) **Patent No.:** **US D744,952 S**
(45) **Date of Patent:** **** Dec. 8, 2015**

(54) **15A DUAL USB CHARGER WITH DUPLEX TAMPER RESISTANT (TR) RECEPTACLE**

(74) *Attorney, Agent, or Firm* — Ziegler IP Law Group, LLC.

(71) Applicant: **Wenzhou MTLIC Electric Appliances Co., Ltd.**

(57) **CLAIM**
The ornamental design for a 15A dual USB charger with duplex tamper resistant (TR) receptacle, as shown and described.

(72) Inventors: **Lidong Ni, Yueqing (CN); Wei Gao, Yueqing (CN)**

(73) Assignee: **Wenzhou MTLIC Electric Appliances Co., LTD., Yueqing, Zhejiang (CN)**

DESCRIPTION

(**) Term: **14 Years**

(21) Appl. No.: **29/476,324**

(22) Filed: **Dec. 12, 2013**

(51) **LOC (10) Cl.** **13-03**

(52) **U.S. Cl.**
USPC **D13/139.3**

(58) **Field of Classification Search**
USPC D13/139.3, 139.2, 139.1, 139.6, 139.8,
D13/137.1–137.3, 130, 133; 439/106, 107,
439/538, 539; 174/50–51, 53–55; 361/42,
361/45, 46, 50
See application file for complete search history.

FIG. 1 is a perspective view of a first embodiment of a 15A dual USB charger with duplex tamper resistant receptacle; FIG. 2 is a front plan view of the 15A dual USB charger with duplex tamper resistant receptacle of FIG. 1; FIG. 3 is a left side plan view of the 15A dual USB charger with duplex tamper resistant receptacle of FIG. 1; FIG. 4 is a right side plan view of the 15A dual USB charger with duplex tamper resistant receptacle of FIG. 1; FIG. 5 is a top view of the 15A dual USB charger with duplex tamper resistant receptacle of FIG. 1; FIG. 6 is bottom view of the 15A dual USB charger with duplex tamper resistant receptacle of FIG. 1; FIG. 7 is a back plan view of the 15A dual USB charger with duplex tamper resistant receptacle of FIG. 1; FIG. 8 is a perspective view of a second embodiment of a 15A dual USB charger with duplex tamper resistant receptacle; FIG. 9 is a front plan view of the 15A dual USB charger with duplex tamper resistant receptacle of FIG. 8; FIG. 10 is a left side plan view of the 15A dual USB charger with duplex tamper resistant receptacle of FIG. 8; FIG. 11 is a right side plan view of the 15A dual USB charger with duplex tamper resistant receptacle of FIG. 8; FIG. 12 is a top view of the 15A dual USB charger with duplex tamper resistant receptacle of FIG. 8; FIG. 13 is bottom view of the 15A dual USB charger with duplex tamper resistant receptacle of FIG. 8; and, FIG. 14 is a back plan view of the 15A dual USB charger with duplex tamper resistant receptacle of FIG. 8.
In the drawings, the broken lines show unclaimed subject matter only and form no part of the claimed design.

(56) **References Cited**

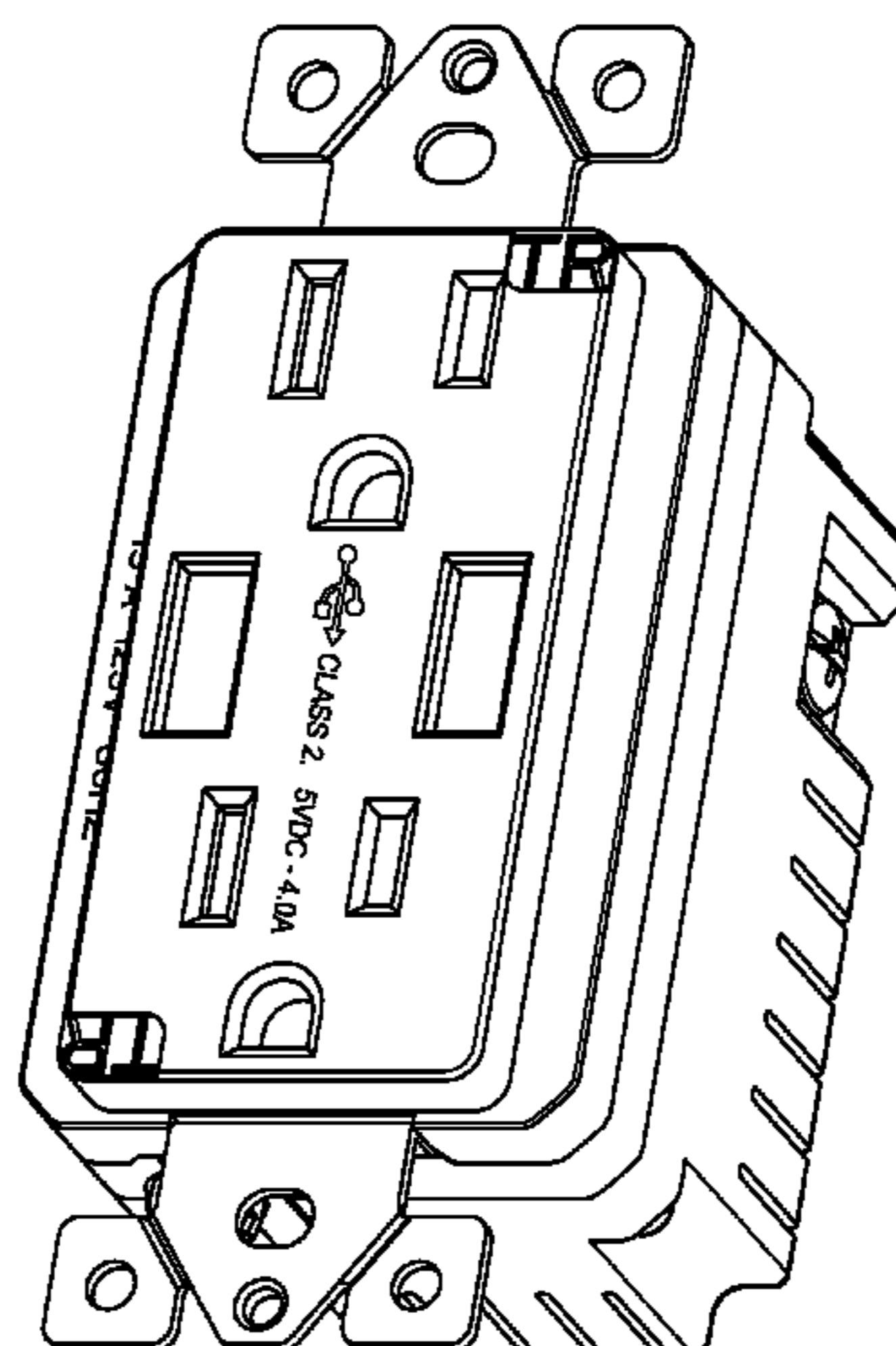
U.S. PATENT DOCUMENTS

D419,531 S *	1/2000	Keung et al.	D13/160
D470,108 S *	2/2003	Daoxian et al.	D13/139.3
D515,505 S *	2/2006	Lin	D13/139.6
7,031,125 B2 *	4/2006	Germain et al.	361/42
D535,255 S *	1/2007	Bazayev et al.	D13/139.3
7,209,330 B2 *	4/2007	DiSalvo	361/42
D542,223 S *	5/2007	Bazayev et al.	D13/139.3
D545,272 S *	6/2007	Zhang et al.	D13/139.3
D601,962 S *	10/2009	Song	D13/139.6

(Continued)

Primary Examiner — Holly Baynham
Assistant Examiner — Rhea Shields

1 Claim, 14 Drawing Sheets



US D744,952 S

Page 2

(56)

References Cited

D686,577 S * 7/2013 Flagello D13/152
D703,139 S * 4/2014 Dodal et al. D13/139.1

U.S. PATENT DOCUMENTS

D674,753 S * 1/2013 Jansen et al. D13/139.1 * cited by examiner

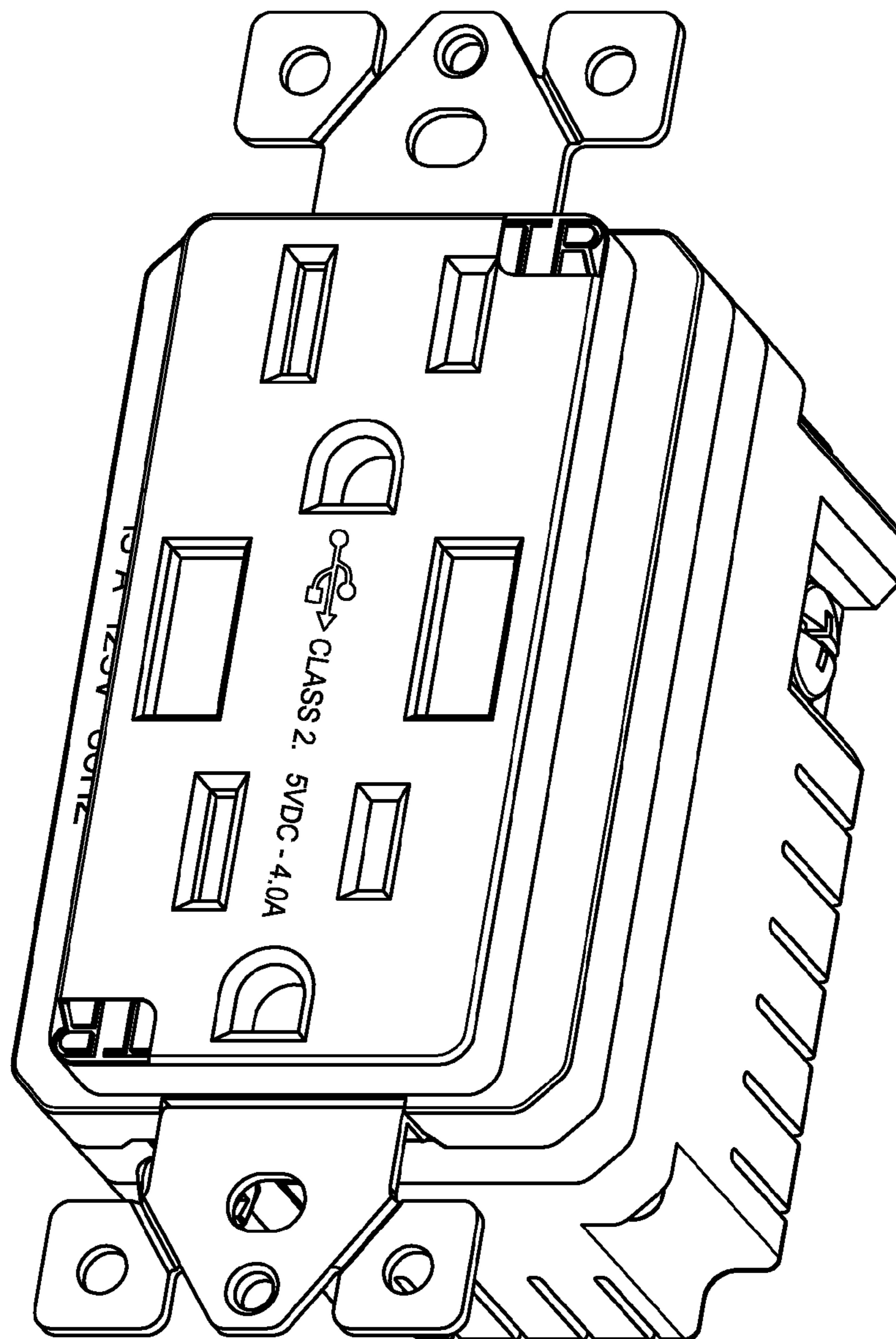


Figure 1

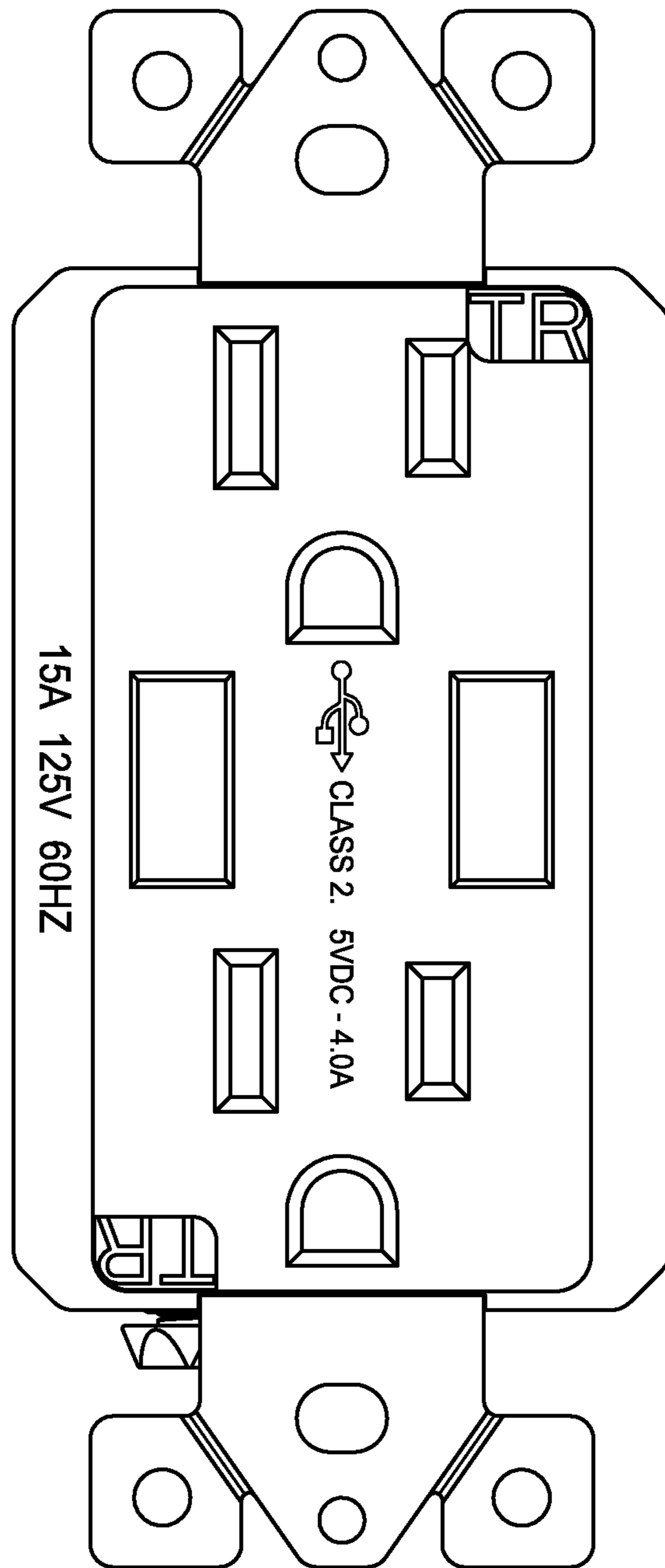


Figure 2

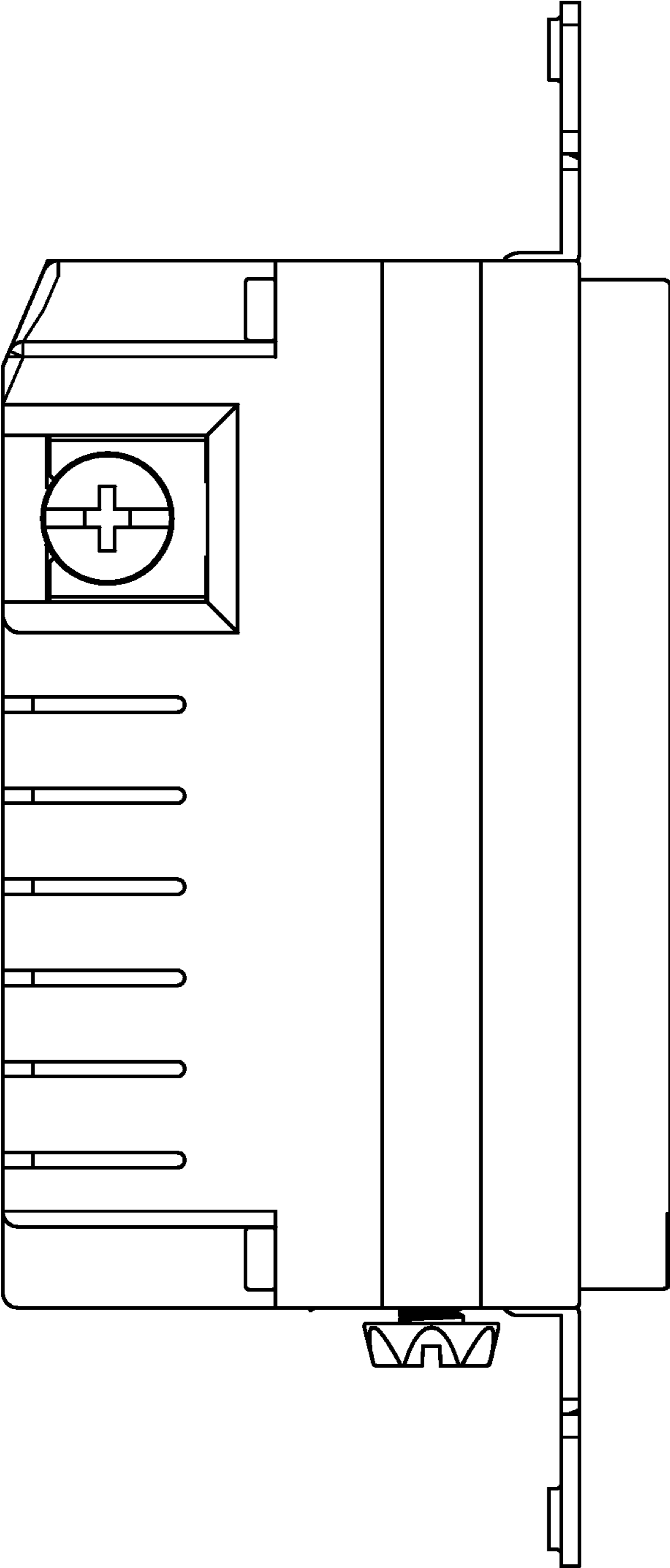


Figure 3

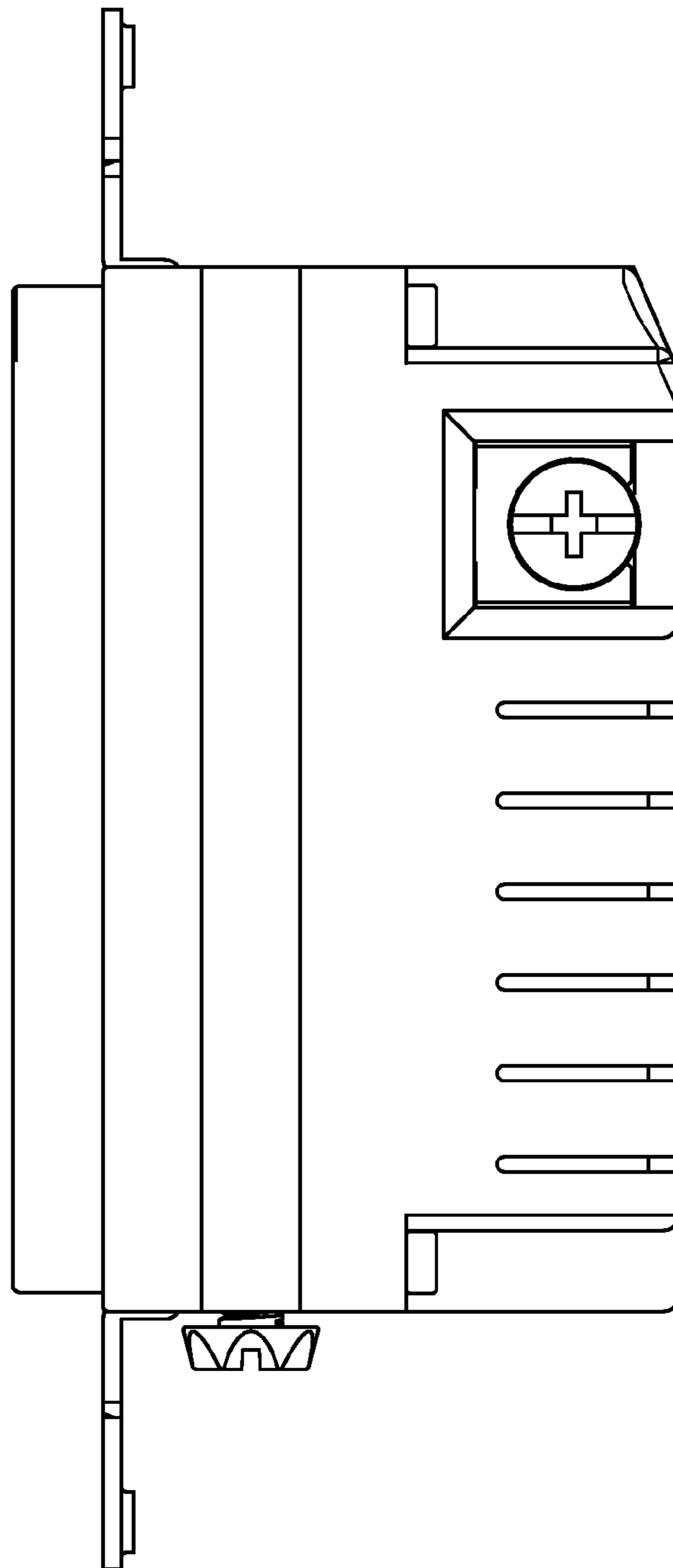


Figure 4

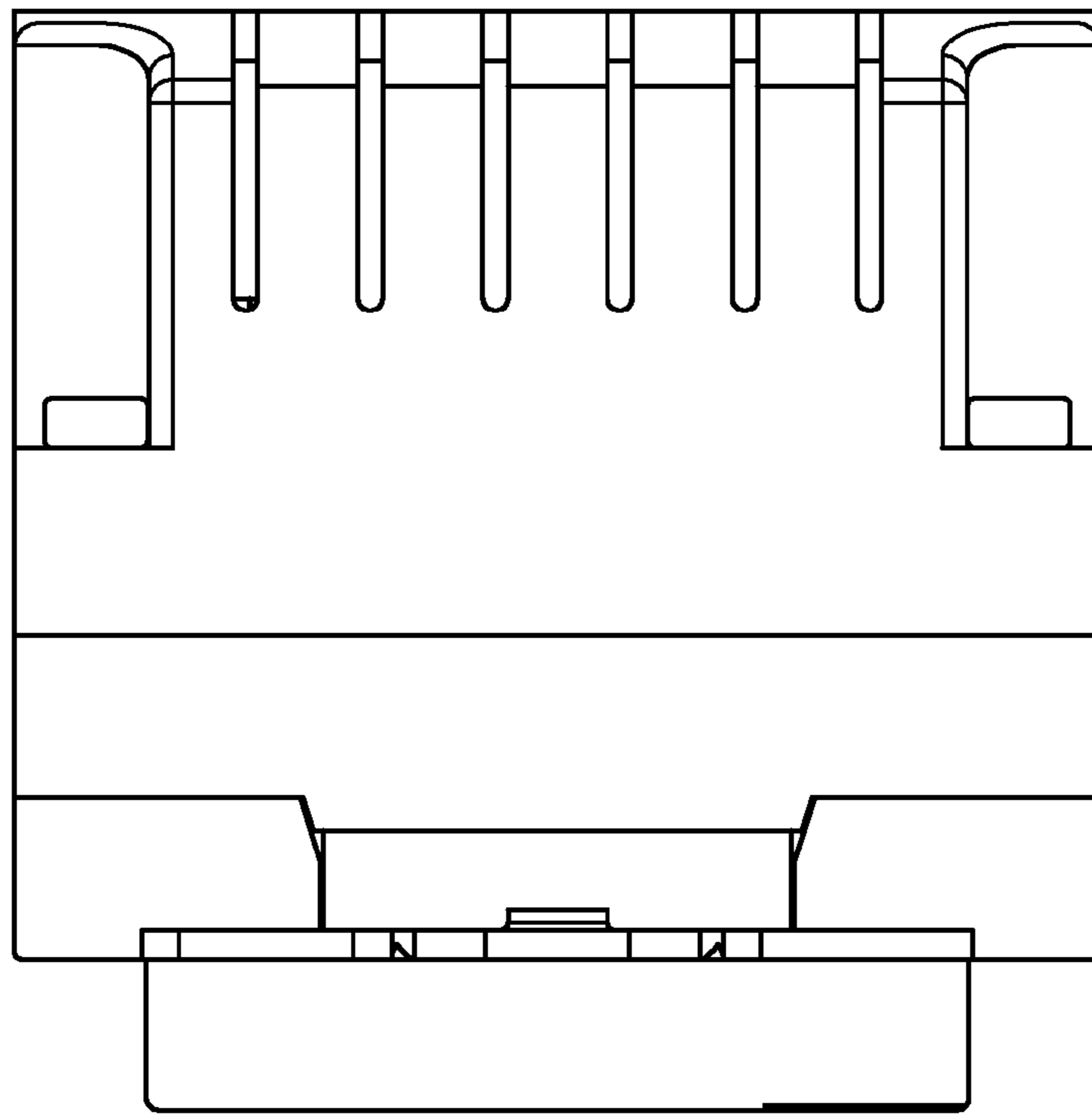


Figure 5

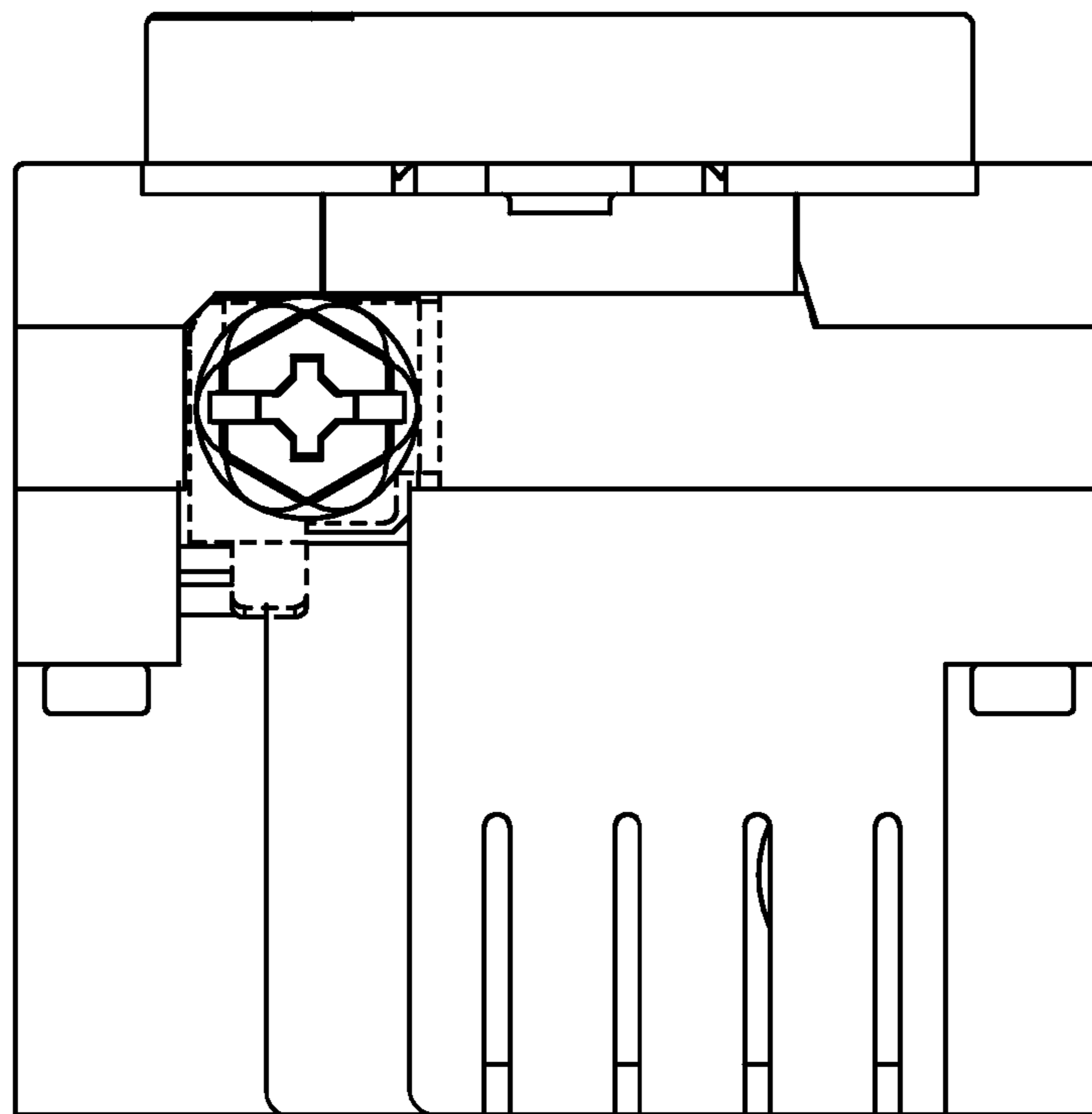


Figure 6

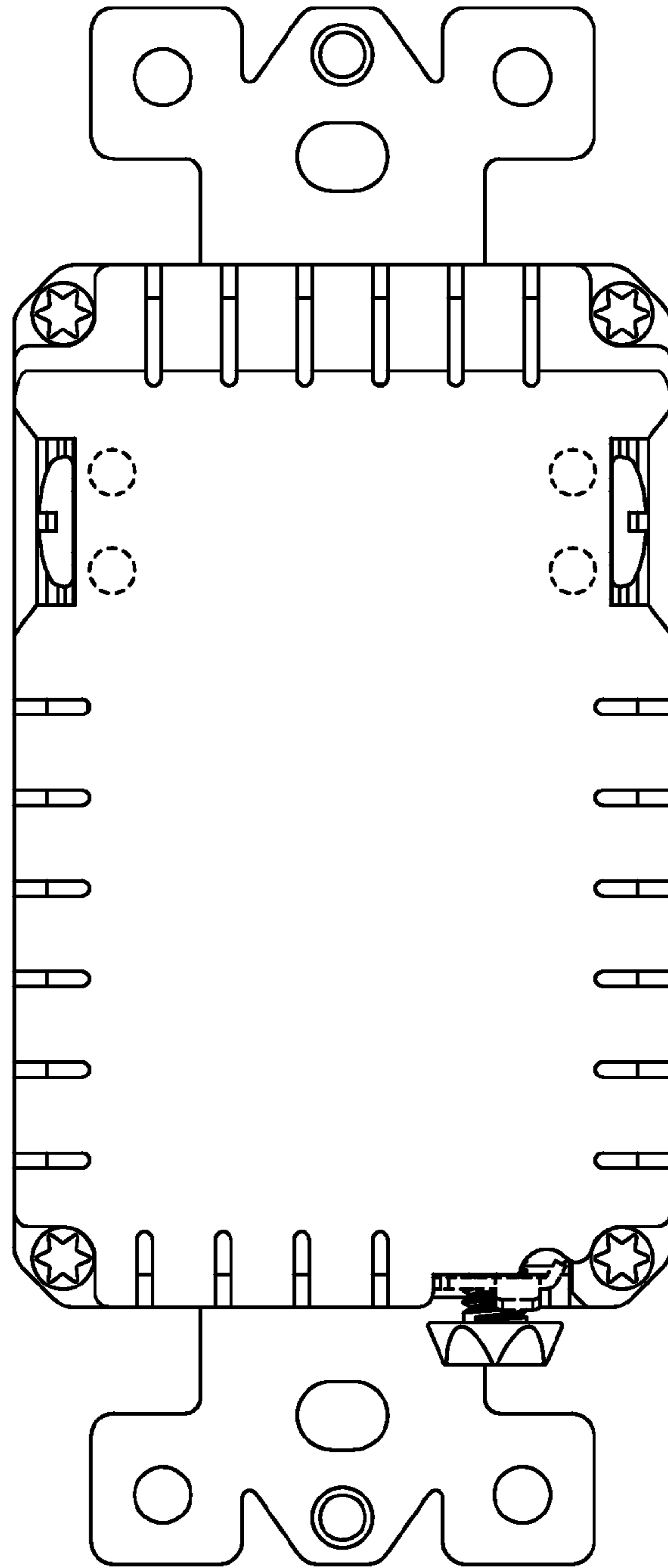


Figure 7

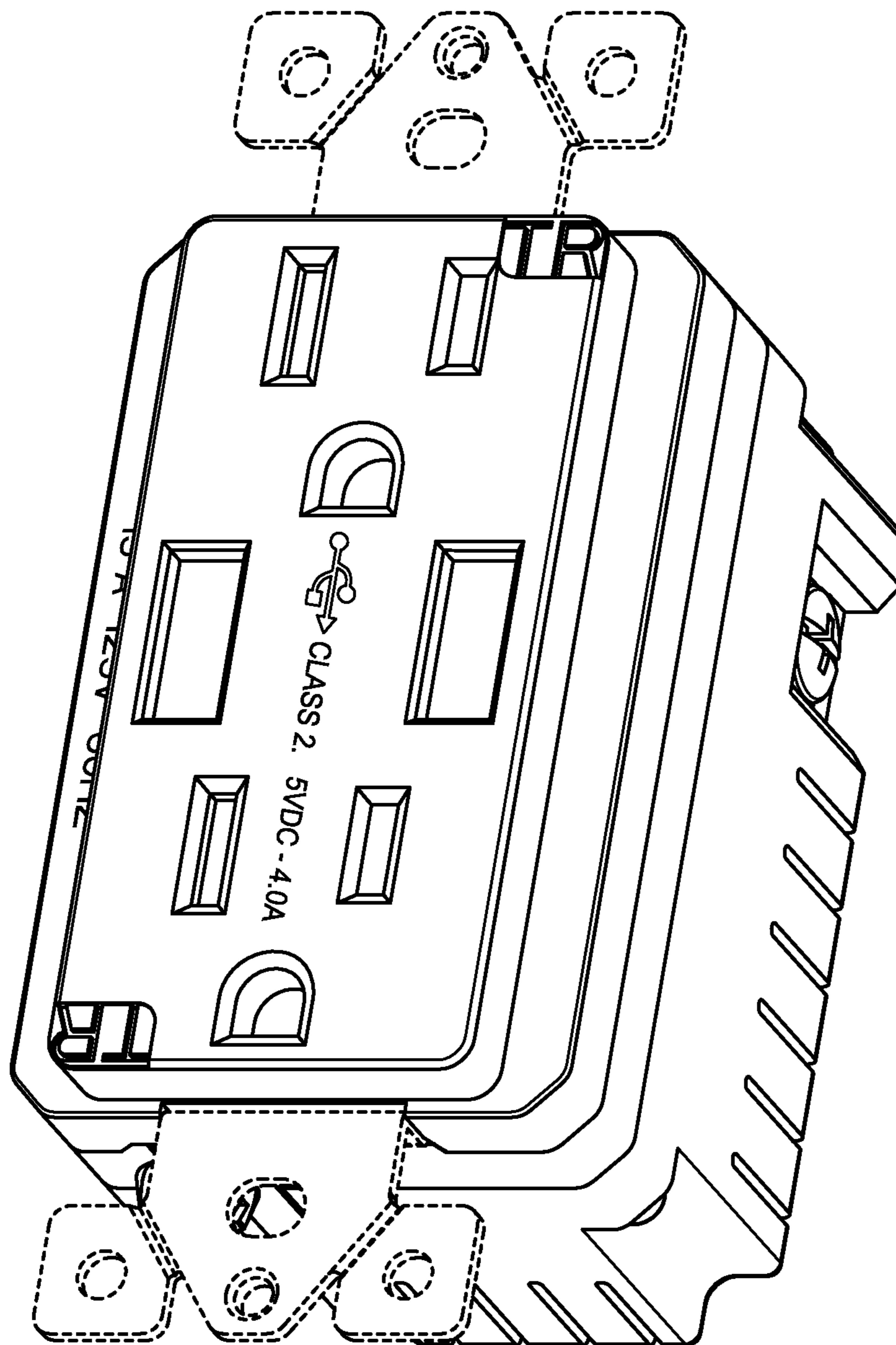


Figure 8

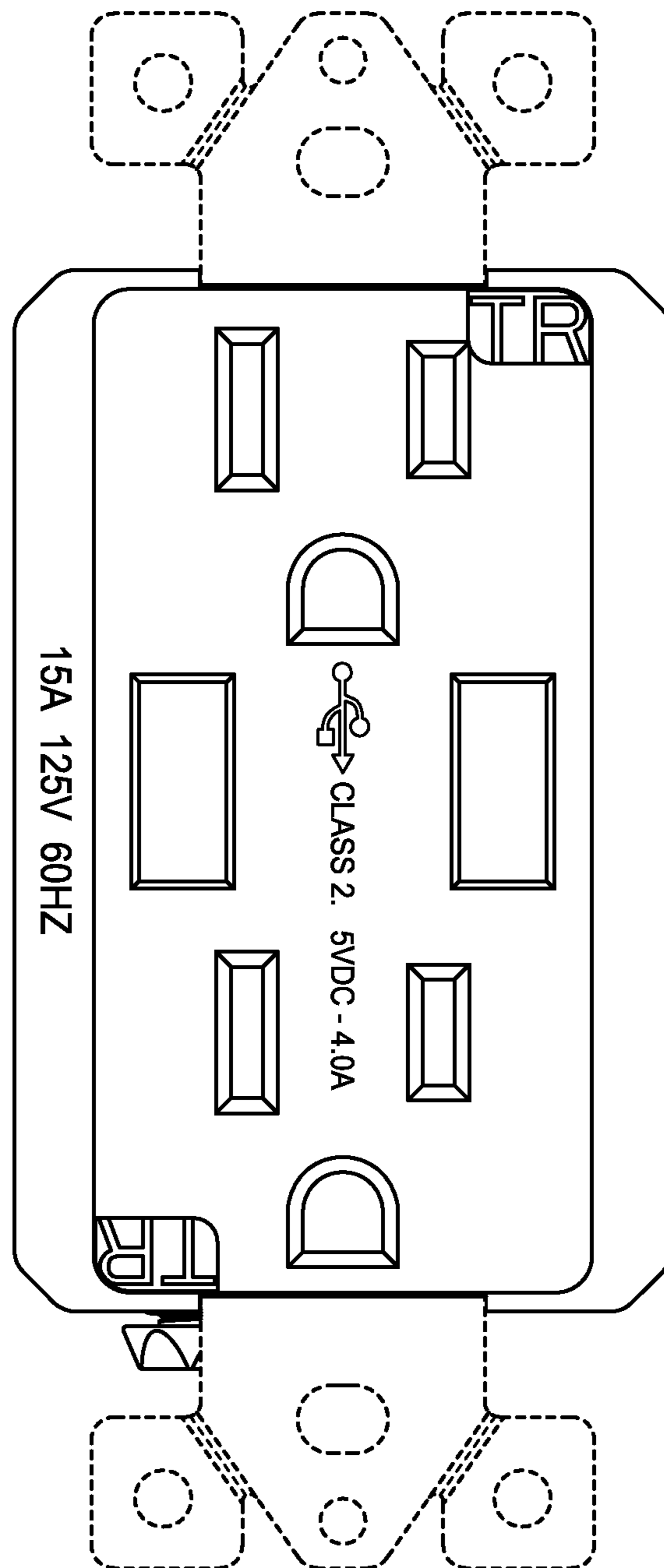


Figure 9

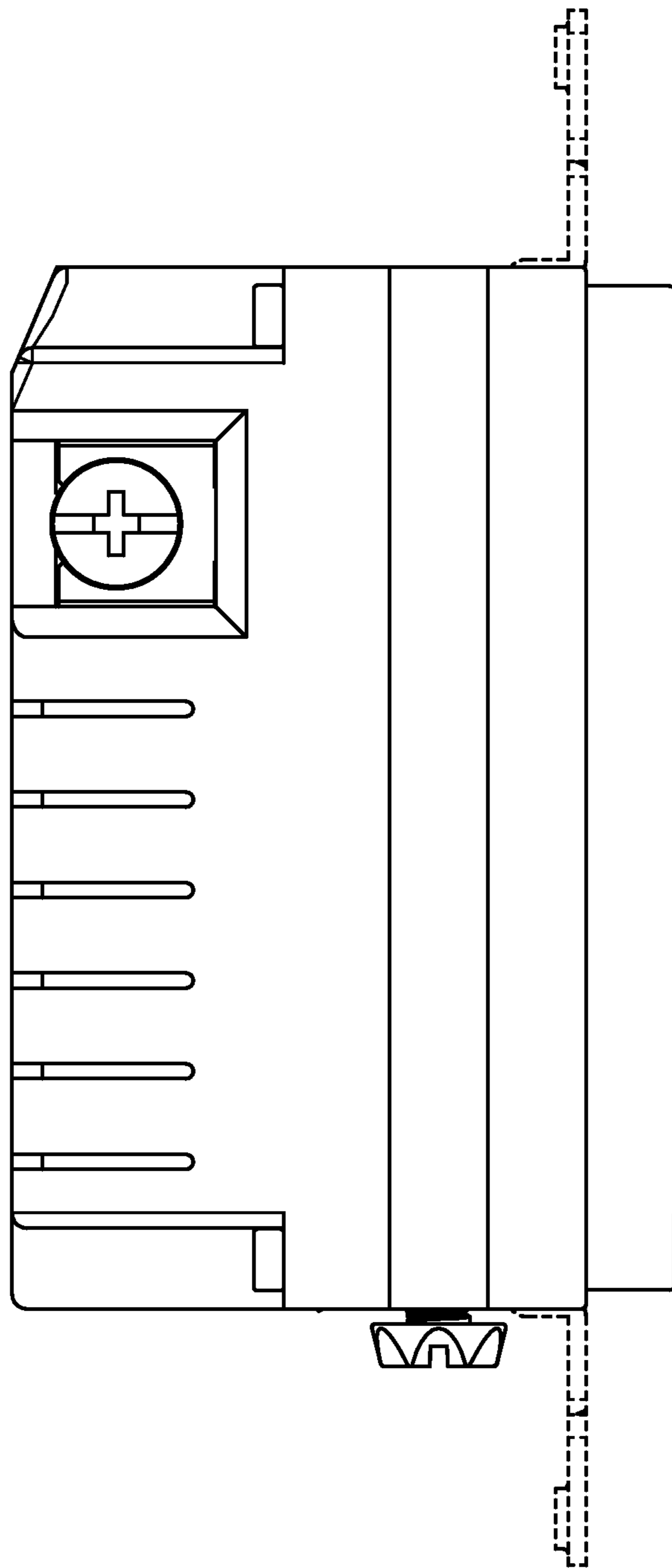


Figure 10

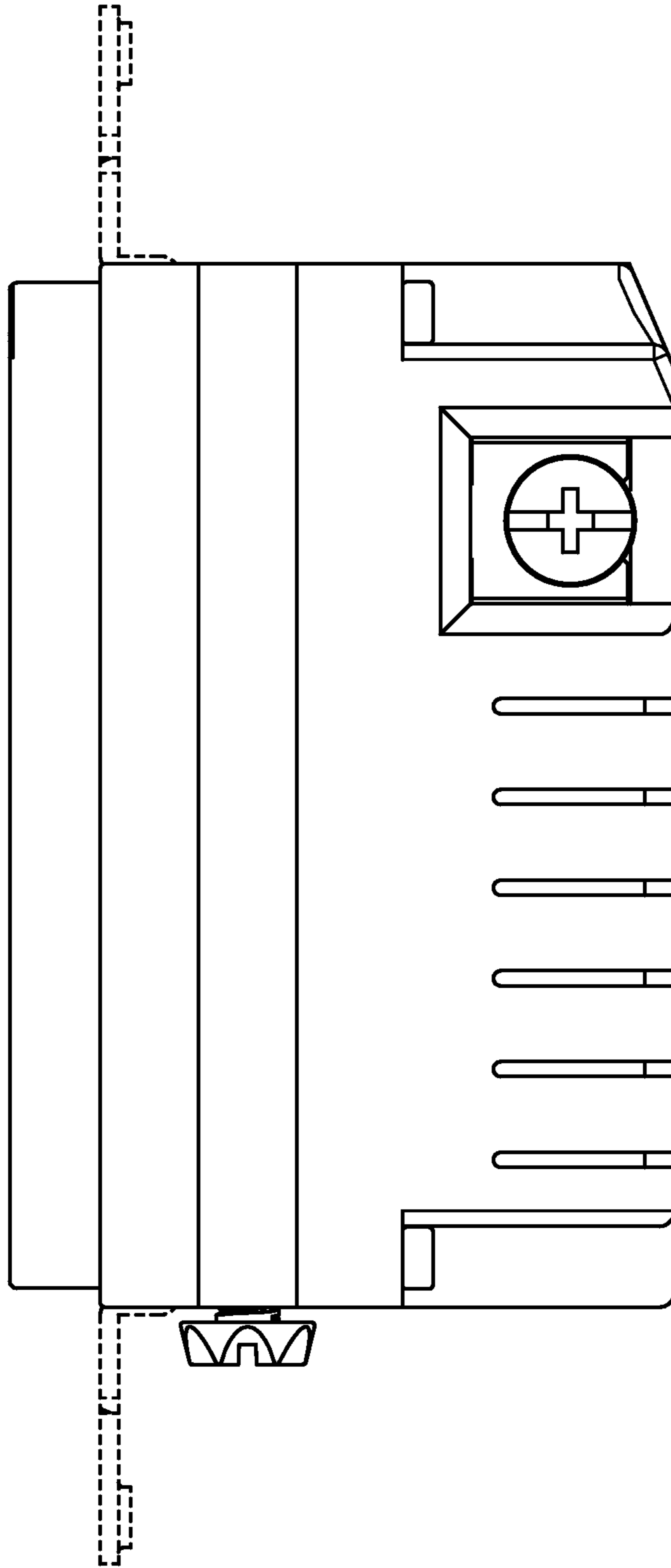


Figure 11

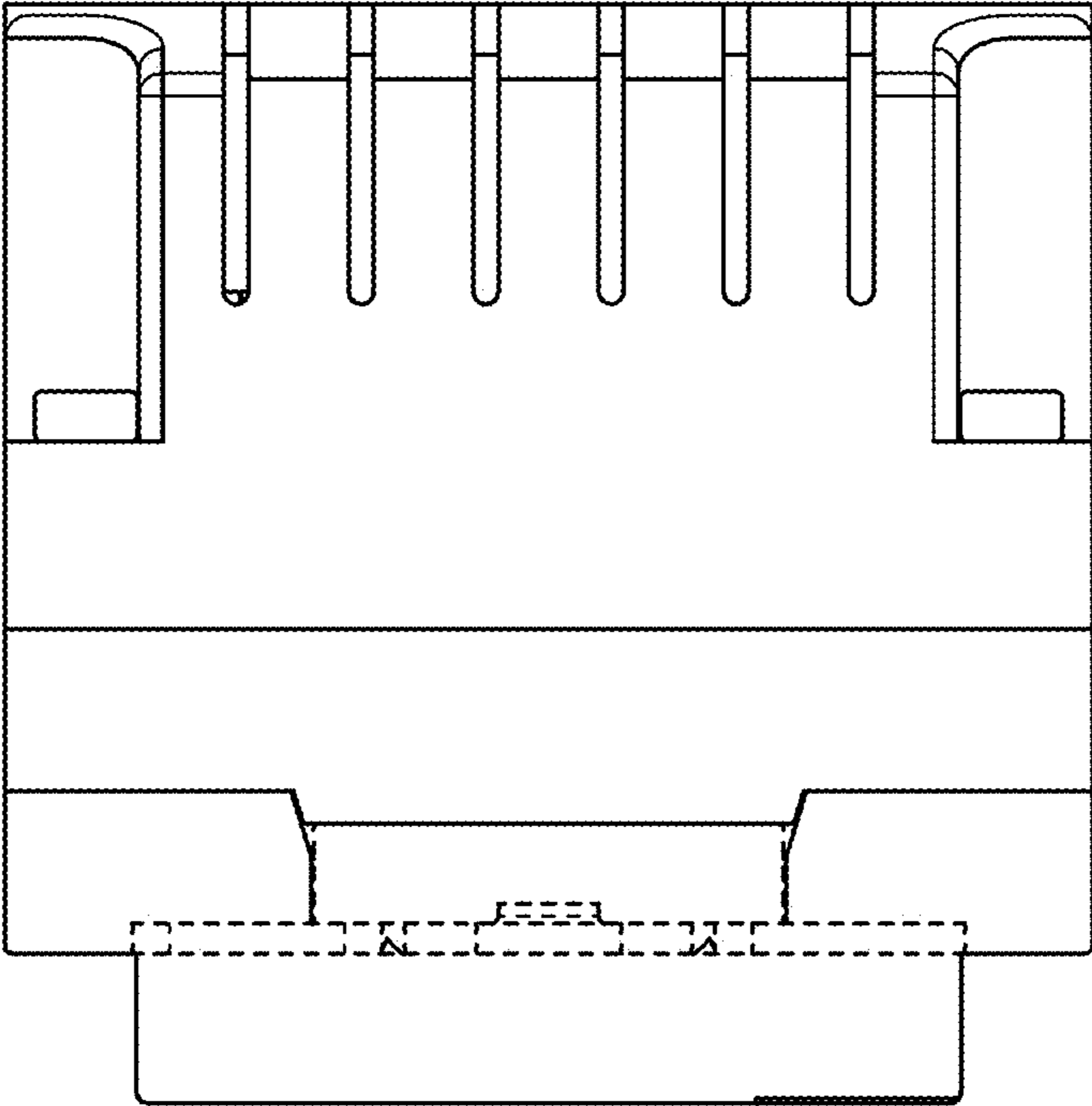


Figure 12

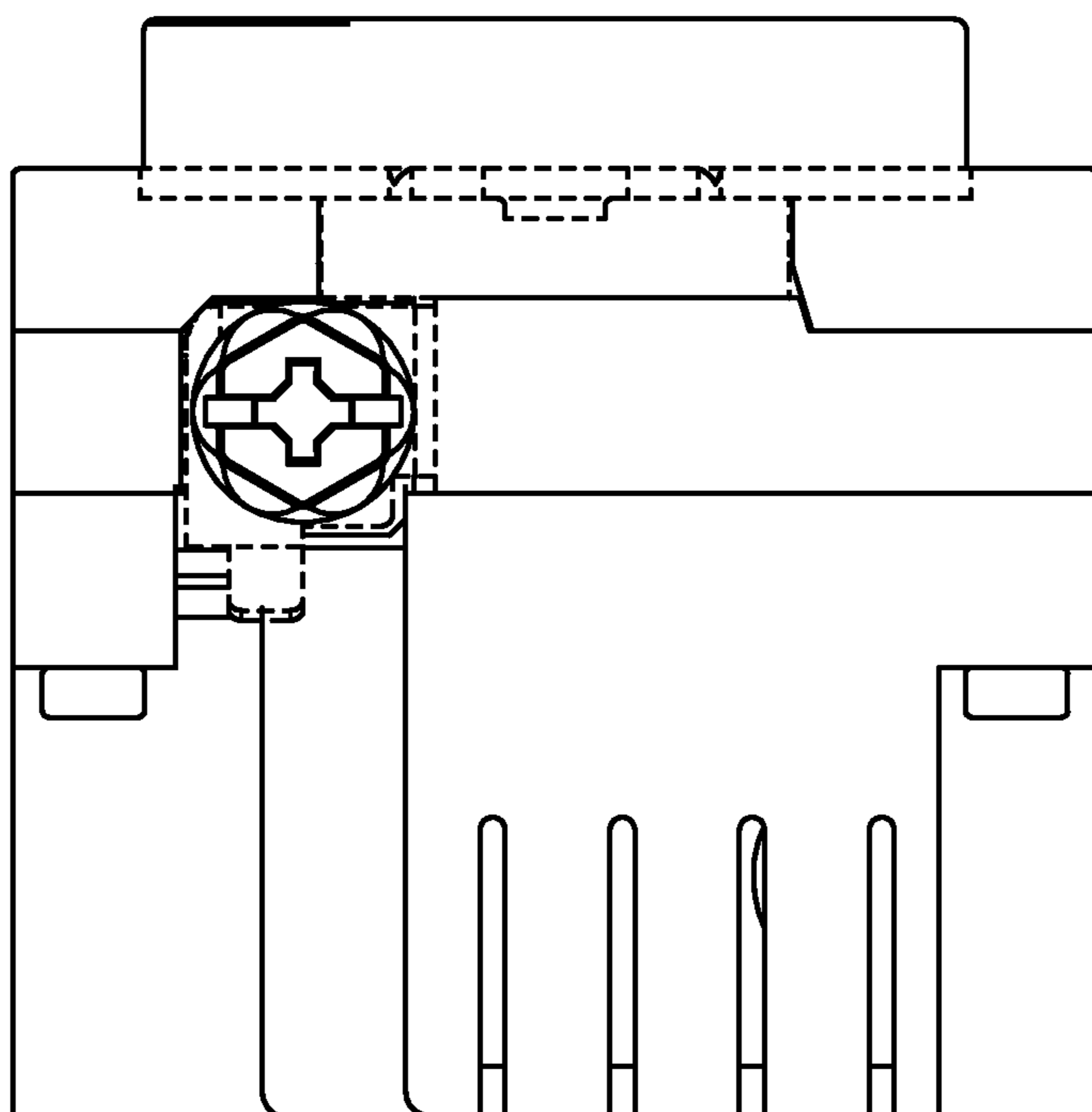


Figure 13

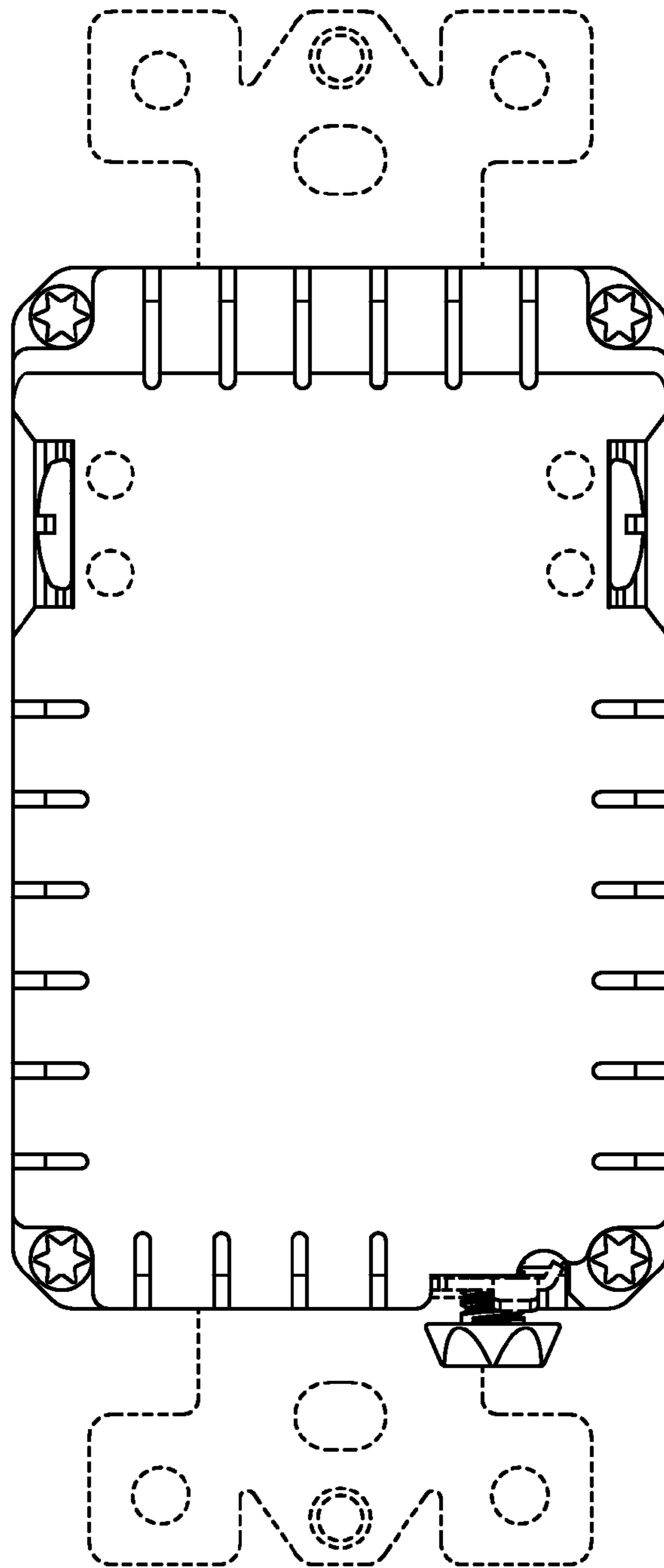


Figure 14