



US00D744948S

(12) **United States Design Patent**
Pronk

(10) **Patent No.:** **US D744,948 S**

(45) **Date of Patent:** **** Dec. 8, 2015**

(54) **ACCUMULATOR**

(71) Applicant: **Motopro Sport v.o.f.**, Oude Pekela (NL)

(72) Inventor: **Gerard Cornelis Pronk**, Oude Pekela (NL)

(73) Assignee: **Motopro Sport v.o.f.**, Oude Pekela (NL)

(**) Term: **14 Years**

(21) Appl. No.: **29/479,152**

(22) Filed: **Jan. 13, 2014**

(30) **Foreign Application Priority Data**

Jul. 12, 2013 (EM) 002273136-0001

(51) **LOC (10) Cl.** **13-02**

(52) **U.S. Cl.**
USPC **D13/110**

(58) **Field of Classification Search**
USPC D13/110, 101, 103, 104, 107, 108, 118,
D13/133, 162, 184, 199; D15/148, 149;
307/46, 66, 67, 151, 152; 194/215,
194/216, 220, 225, 228; 320/107, 108, 109,
320/115

CPC G06F 1/181; H01M 10/488; H01M 2/1066
See application file for complete search history.

(56) **References Cited**

U.S. PATENT DOCUMENTS

D266,757 S * 11/1982 Campbell et al. D13/106
4,857,422 A * 8/1989 Stocchiero 429/175
D310,821 S * 9/1990 Hulsebus et al. D13/104
D358,130 S * 5/1995 Humphreys et al. D13/104

5,443,926 A * 8/1995 Holland et al. 429/120
D419,132 S * 1/2000 Suzuki et al. D13/104
6,328,612 B1 * 12/2001 Chung 439/717
D480,356 S * 10/2003 Omori et al. D13/104
D584,252 S * 1/2009 Lewis et al. D13/184
D588,081 S * 3/2009 Lewis et al. D13/184
D615,036 S * 5/2010 Liu et al. D13/110
D625,686 S * 10/2010 Dickson D13/107
D693,293 S * 11/2013 Tang D13/104
D718,231 S * 11/2014 Burns et al. D13/104
D722,022 S * 2/2015 Dasbach D13/110
2003/0059676 A1 * 3/2003 Ruiz Rodriguez et al. ... 429/164
2003/0059679 A1 * 3/2003 Rodriguez et al. 429/177
2005/0208375 A1 * 9/2005 Sakurai 429/162
2014/0302360 A1 * 10/2014 Klammler et al. 429/72

* cited by examiner

Primary Examiner — Derrick Holland

Assistant Examiner — Jennifer O King

(74) *Attorney, Agent, or Firm* — The Webb Law Firm

(57) **CLAIM**

The ornamental design for an accumulator, as shown and described.

DESCRIPTION

FIG. 1 is a right front perspective view of an accumulator showing my new design;

FIG. 2 is a top left rear perspective view thereof;

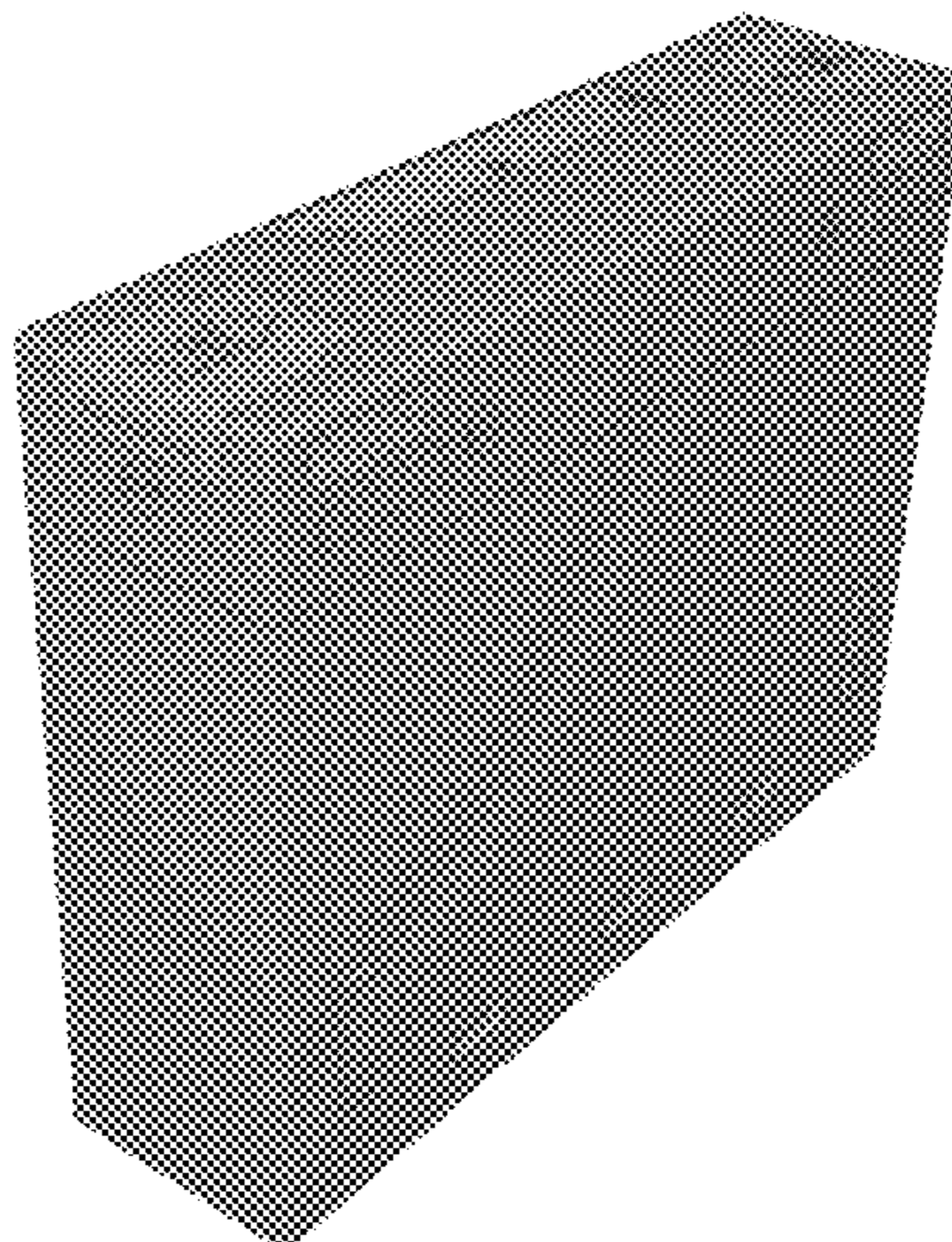
FIG. 3 is a left side view thereof;

FIG. 4 is a right side view thereof;

FIG. 5 is an enlarged fragmented top right rear perspective view thereof, wherein the covers are shown removed for ease of illustration; and,

FIG. 6 is a bottom front left perspective view thereof, wherein the covers are shown removed for ease of illustration.

1 Claim, 6 Drawing Sheets



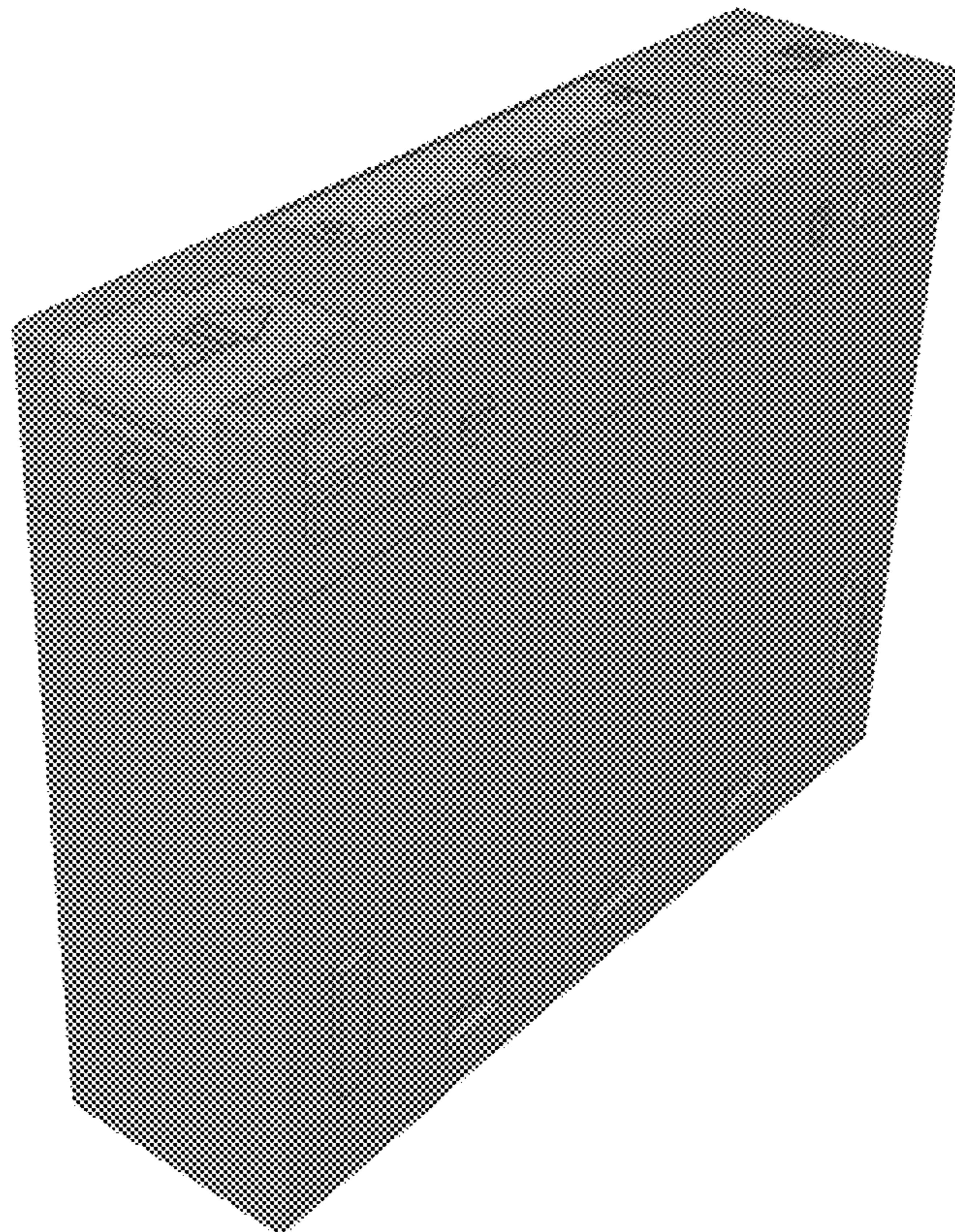


FIG. 1

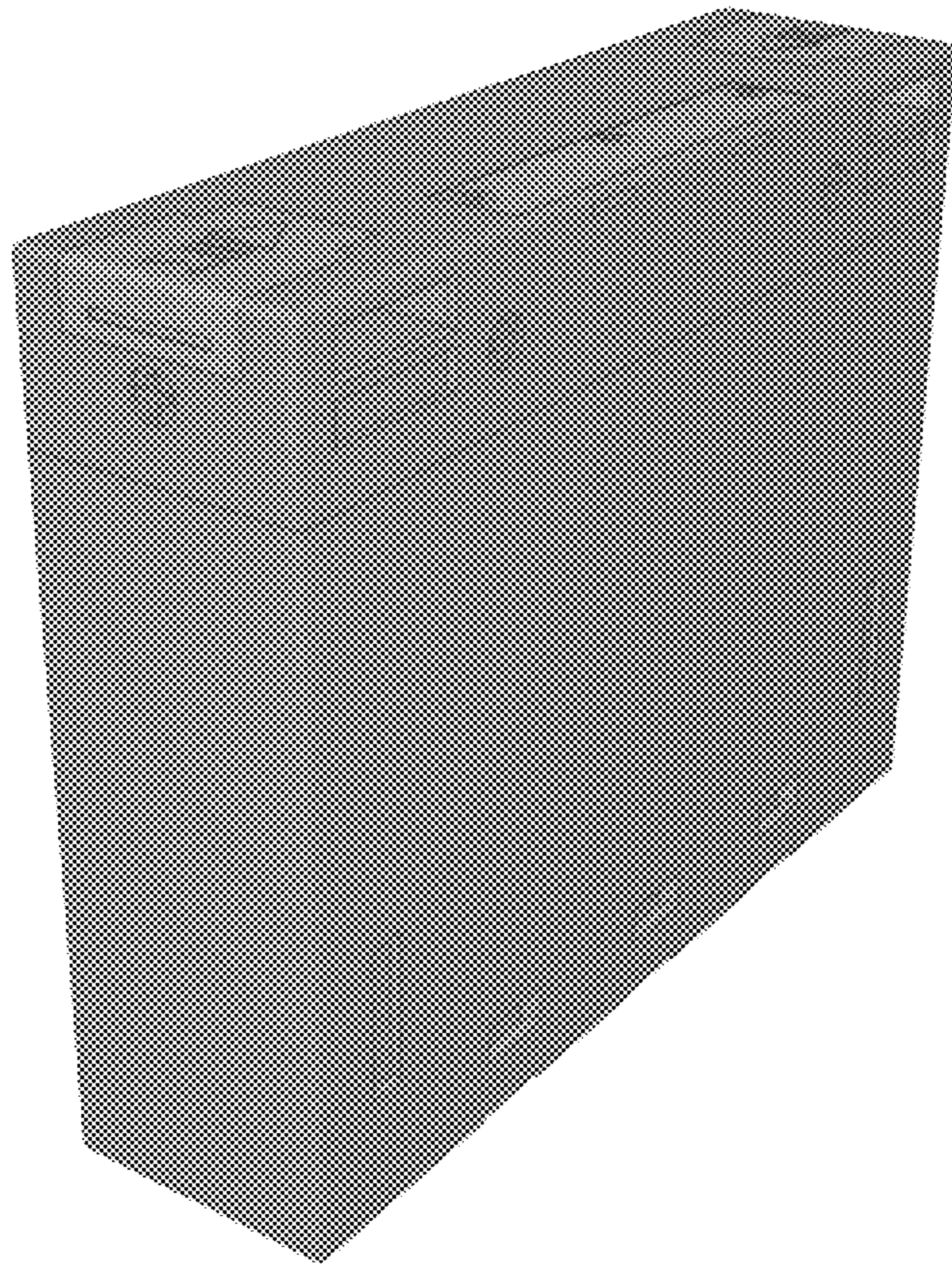


FIG. 2

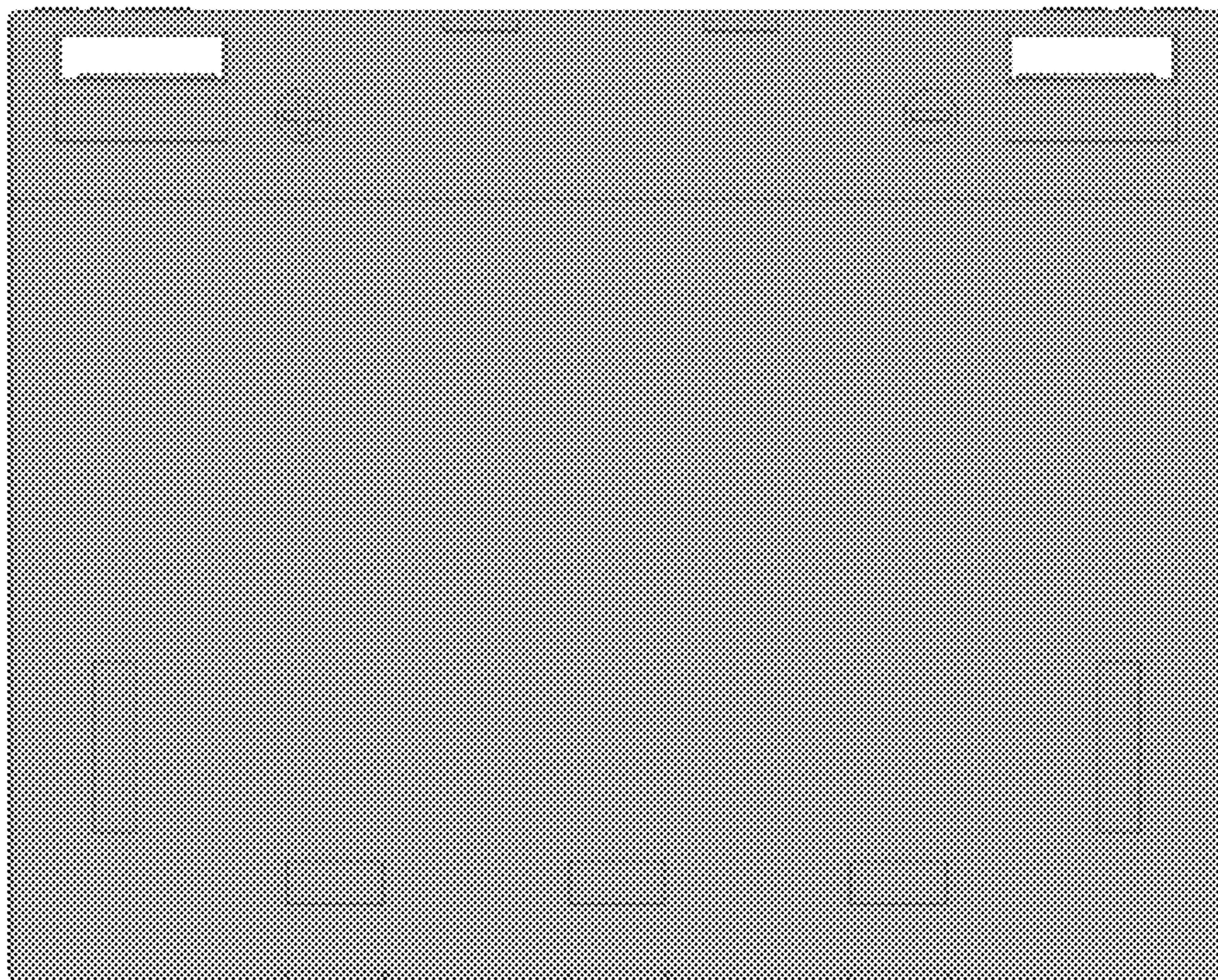


FIG. 3

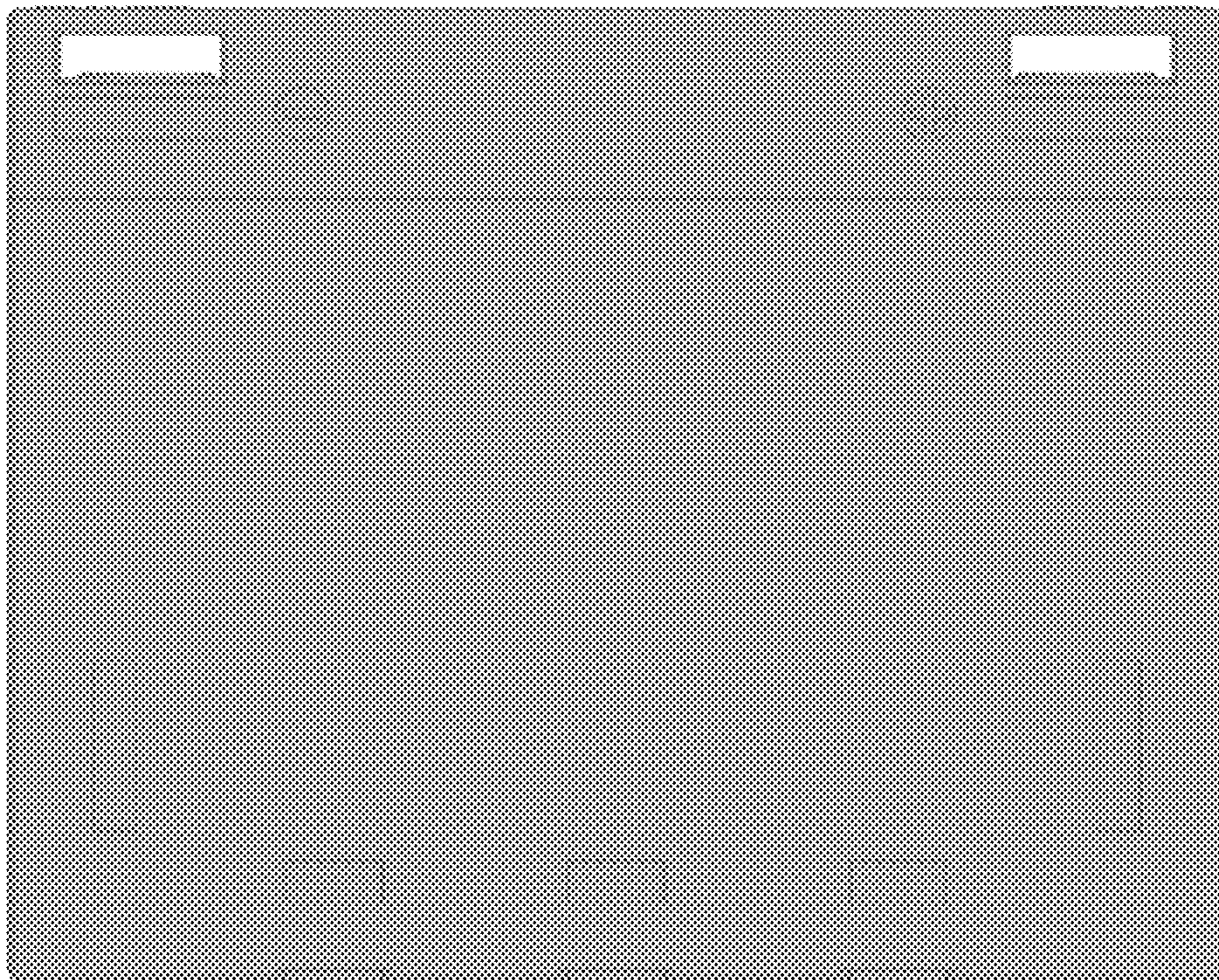


FIG. 4

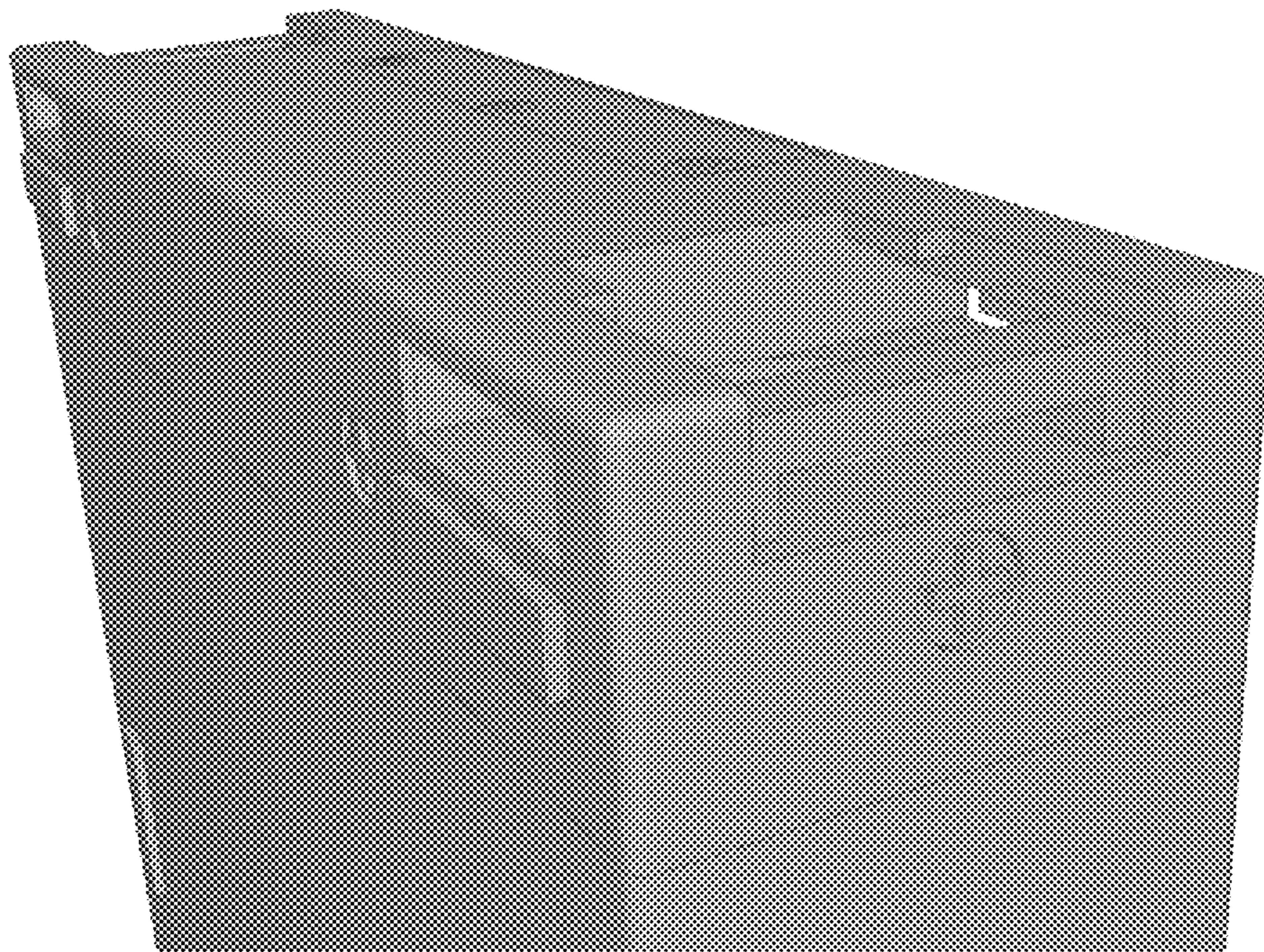


FIG. 5

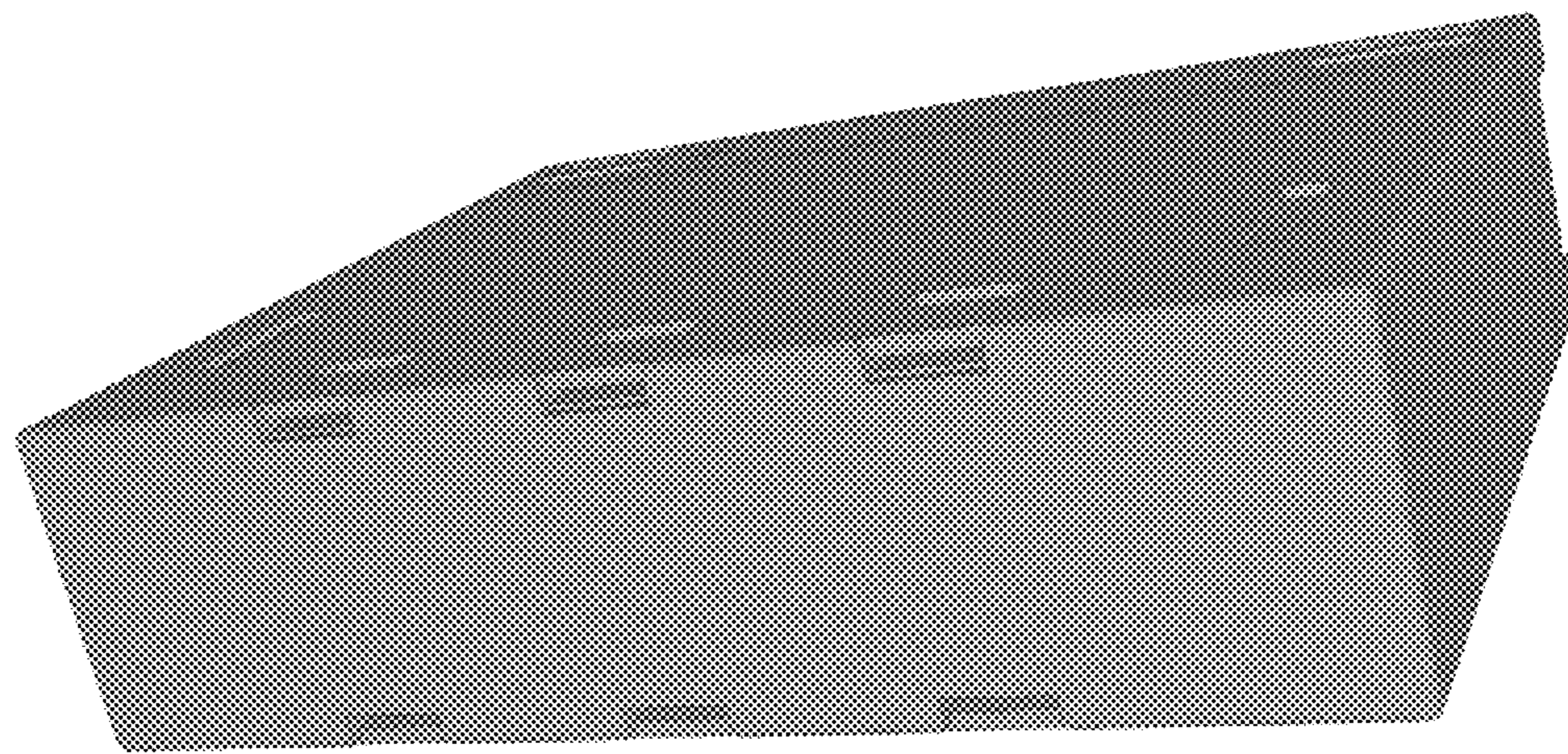


FIG. 6