

US00D744947S

(12) **United States Design Patent**
Rabalais et al.

(10) **Patent No.:** **US D744,947 S**

(45) **Date of Patent:** **** Dec. 8, 2015**

(54) **POWER SUPPLY FOR A BATTERY CHARGER**

H01M 10/425; H01F 38/14; H01R 13/6675
See application file for complete search history.

(71) Applicant: **The Gillette Company**, Boston, MA (US)

(56) **References Cited**

(72) Inventors: **Brian Adam Rabalais**, New Milford, CT (US); **Eric Justin Price**, Wilton, CT (US); **Francisco Jose Restrepo**, Norwalk, CT (US); **Chen Jian**, ShenZhen (CN); **Zhang Yun**, ShenZhen (CN); **Paul Edward Backett**, Portland, OR (US); **David John Sayler**, Portland, OR (US); **Chunshik Kim**, Portland, OR (US)

U.S. PATENT DOCUMENTS

D331,220 S	11/1992	Tsuchiya
D339,563 S	9/1993	Usami
D344,261 S	2/1994	Watanabe
D350,113 S	8/1994	Nagele
D357,224 S	4/1995	Nagele et al.
D367,257 S	2/1996	Buelow et al.
5,611,701 A	3/1997	Hahn
5,613,863 A	3/1997	Klaus et al.
D400,855 S	11/1998	Lee
D406,259 S	3/1999	Lindahl
D442,544 S	5/2001	Ku

(73) Assignee: **The Gillette Company**, Boston, MA (US)

(Continued)

(**) Term: **14 Years**

Primary Examiner — Rosemary K Tarcza

(21) Appl. No.: **29/526,158**

(74) *Attorney, Agent, or Firm* — Leo J. White; Kevin C. Johnson; Steven W. Miller

(22) Filed: **May 7, 2015**

(57) **CLAIM**

The ornamental design for a power supply for a battery charger, as shown and described above.

Related U.S. Application Data

(62) Division of application No. 29/466,827, filed on Sep. 12, 2013, now Pat. No. Des. 731,966.

(51) **LOC (10) Cl.** **13-02**

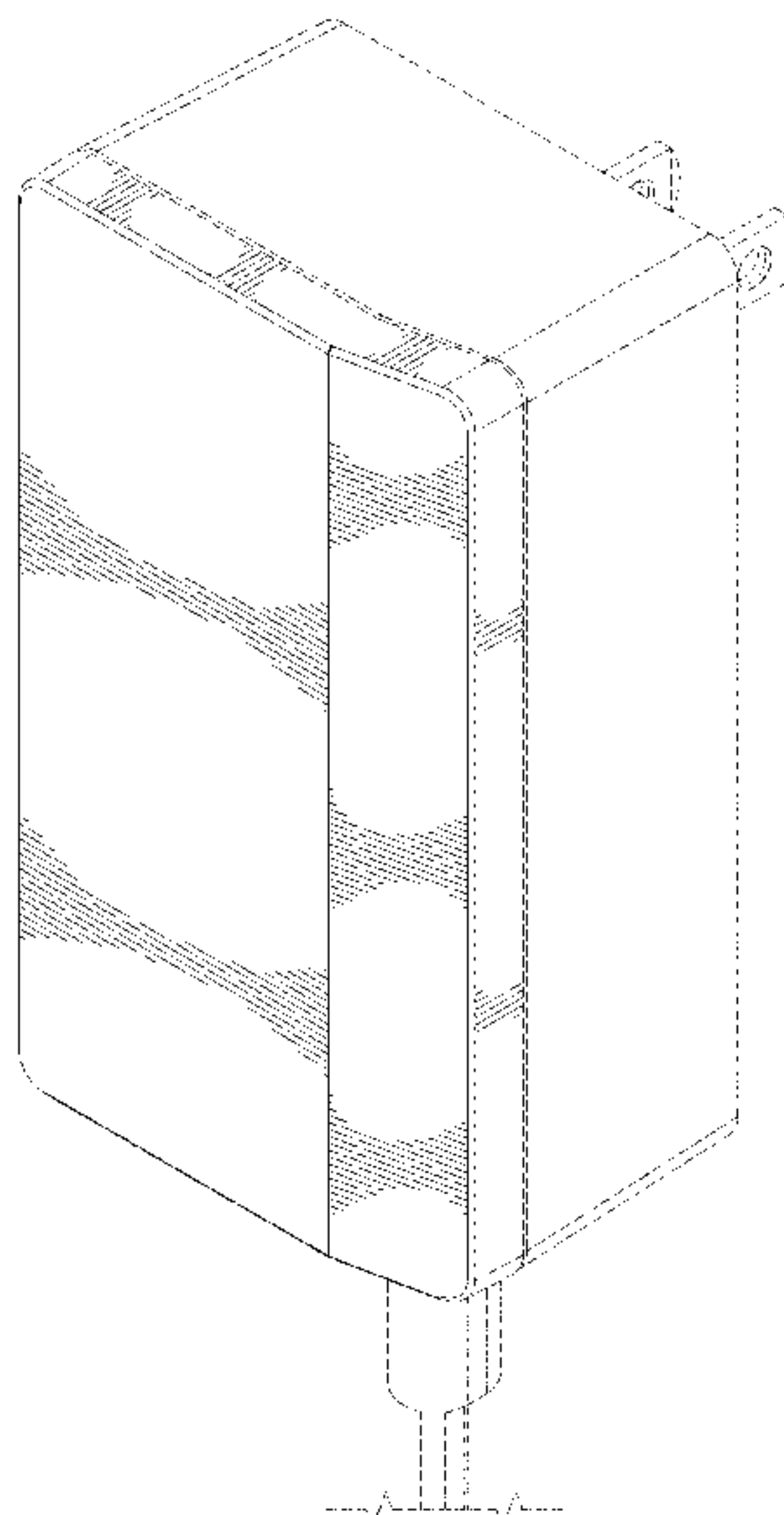
(52) **U.S. Cl.**
USPC **D13/108**

(58) **Field of Classification Search**
USPC D13/107–110, 118–119, 184, 199;
D14/251, 253, 432, 434
CPC H02J 7/025; H02J 7/0042; H02J 7/0044;
H02J 7/0045; H02J 7/0054; H02J 7/0003;
B60L 11/182; Y02E 60/12; Y02T 10/7005;
Y02T 10/7088; Y02T 90/14; Y02T 90/163;
Y02T 90/122; Y02T 90/128; H01M 2/1022;
H01M 2/1055; H01M 10/46; H01M 10/44;

DESCRIPTION

FIG. 1 is a top perspective view of a design for a power supply for a battery charger of the present invention;
FIG. 2 is a top view thereof;
FIG. 3 is a bottom view thereof;
FIG. 4 is a front view thereof;
FIG. 5 is a back view thereof;
FIG. 6 is a right side view thereof;
FIG. 7 is a left side view thereof; and,
FIG. 8 is a bottom perspective view thereof.
The broken lines shown in the drawings are included for the purpose of illustrating environmental structure and form no part of the claimed design.

1 Claim, 7 Drawing Sheets



(56)

References Cited

U.S. PATENT DOCUMENTS

D449,030 S	10/2001	Baxter et al.	7,794,251 B2	9/2010	Wen et al.
D454,537 S	3/2002	O'Connor et al.	D638,355 S	5/2011	Chen
D456,008 S	4/2002	Kawanobe et al.	D638,356 S	5/2011	Chen
D465,764 S	11/2002	Salazar et al.	D676,382 S	2/2013	McSweyn
D473,515 S	4/2003	Salazar et al.	D677,221 S	3/2013	McSweyn
D511,743 S *	11/2005	Hriscu D13/107	D677,223 S	3/2013	Cho
D543,935 S	6/2007	Ke	D682,202 S	5/2013	Weaver et al.
D546,281 S	7/2007	Bell	D683,310 S	5/2013	McSweyn
D552,029 S *	10/2007	Kingston D13/108	D687,375 S	8/2013	Franco et al.
D564,960 S	3/2008	Sacco et al.	D687,770 S *	8/2013	Rabalais D13/107
D565,506 S	4/2008	Sacco et al.	D689,818 S	9/2013	Sasada
D572,654 S	7/2008	Kang et al.	D692,825 S	11/2013	Izen
D572,655 S	7/2008	Oslecki et al.	D695,214 S	12/2013	Roberts et al.
D574,321 S	8/2008	Oslecki et al.	D713,788 S	9/2014	Hasegawa et al.
D596,562 S	7/2009	Hong et al.	D718,710 S	12/2014	Rabalais et al.
D623,129 S	9/2010	Kawakami et al.	D718,711 S	12/2014	Rabalais et al.
			2011/0148357 A1	6/2011	Lu
			2011/0210699 A1	9/2011	Wu
			2013/0307464 A1	11/2013	Zhu

* cited by examiner

FIG. 1

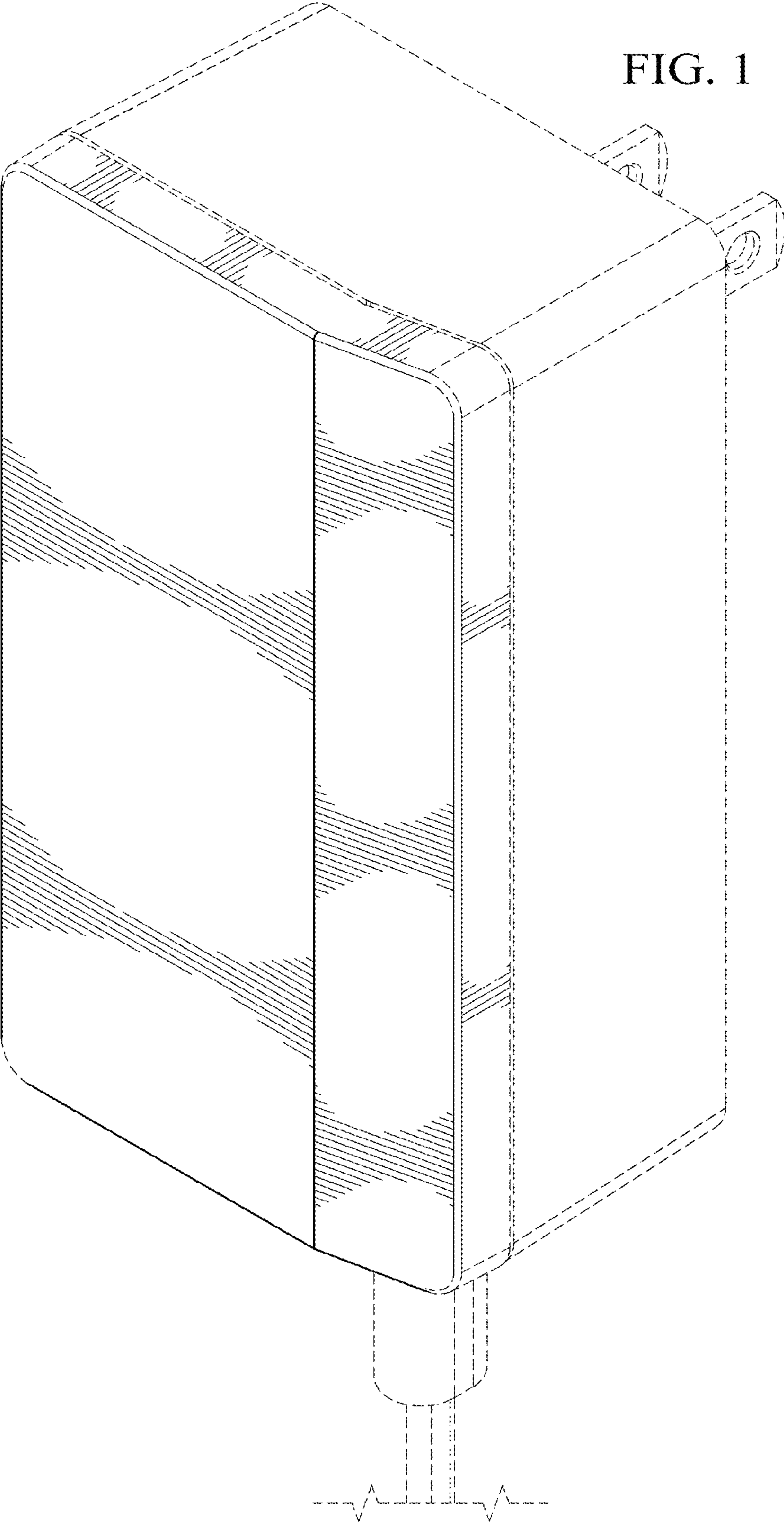


FIG. 2

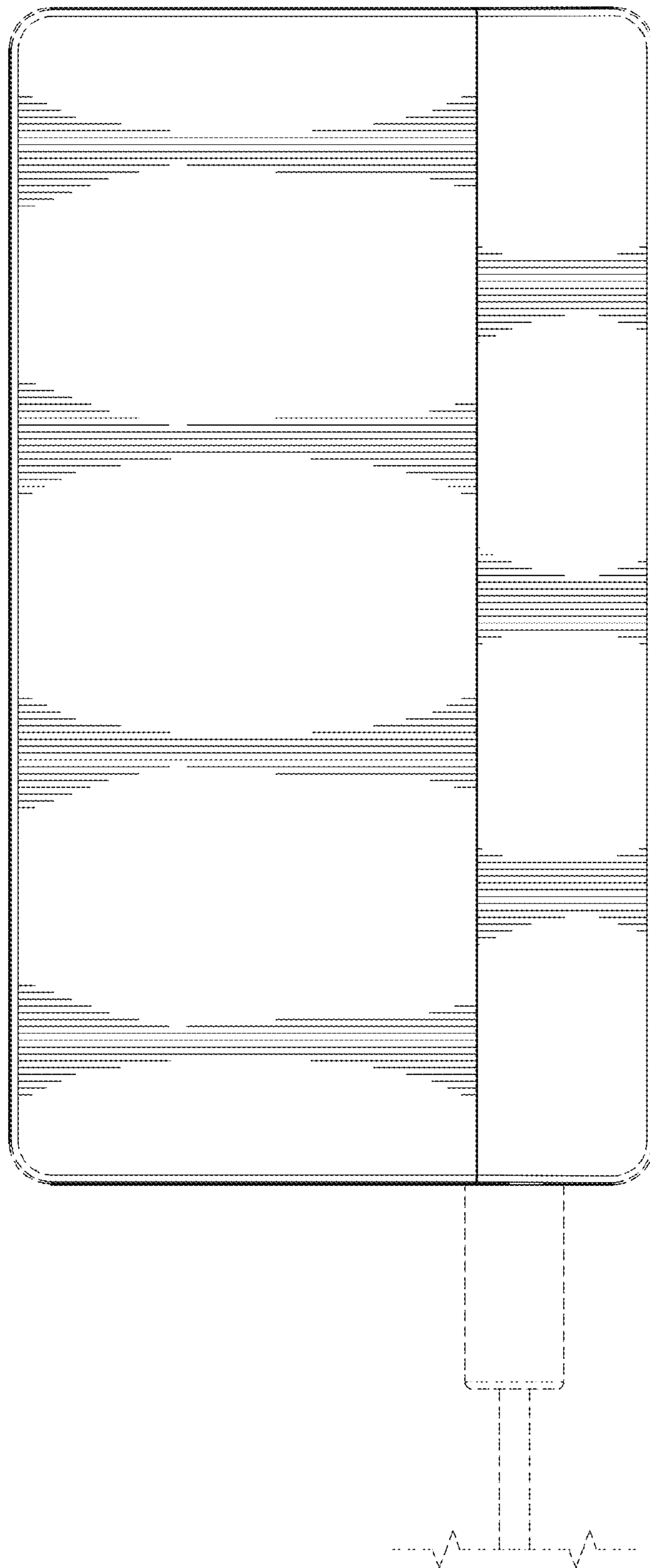


FIG. 3

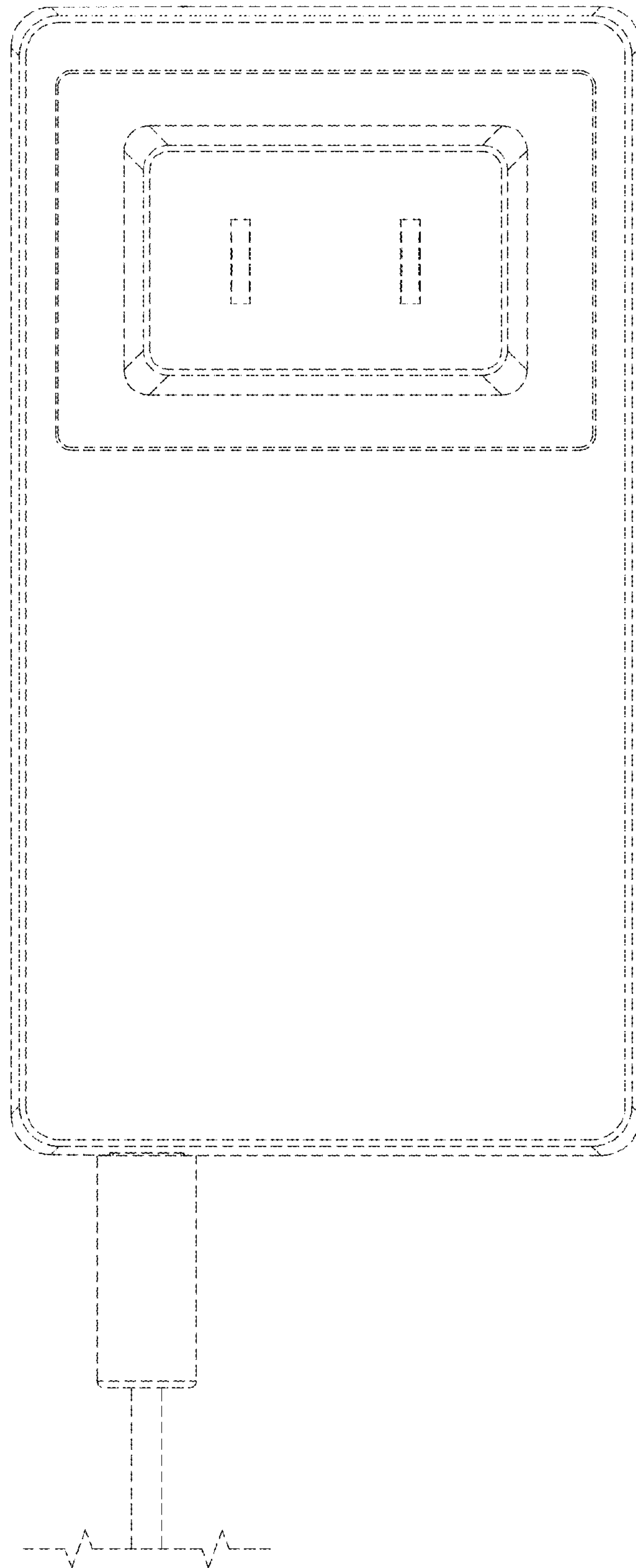
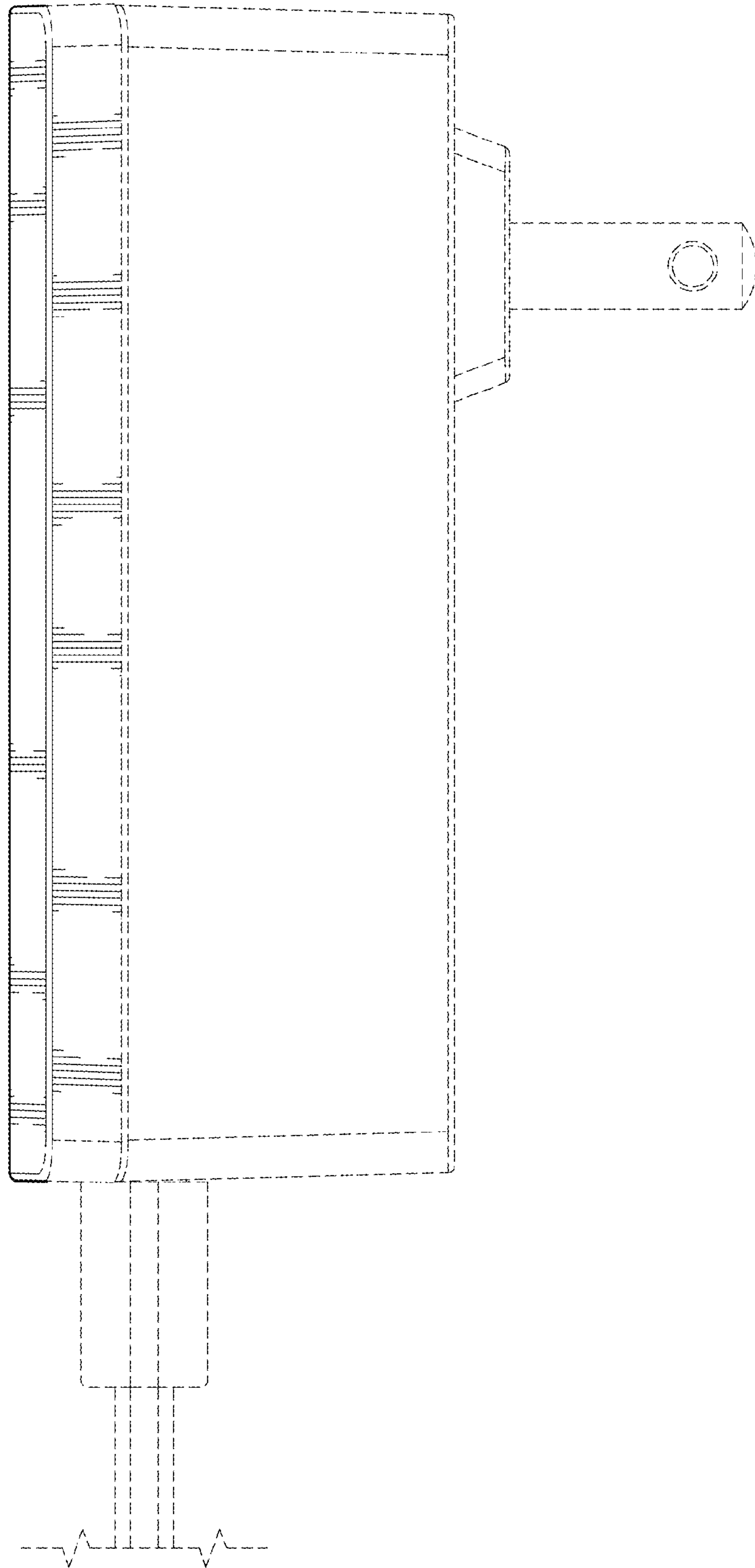


FIG. 4



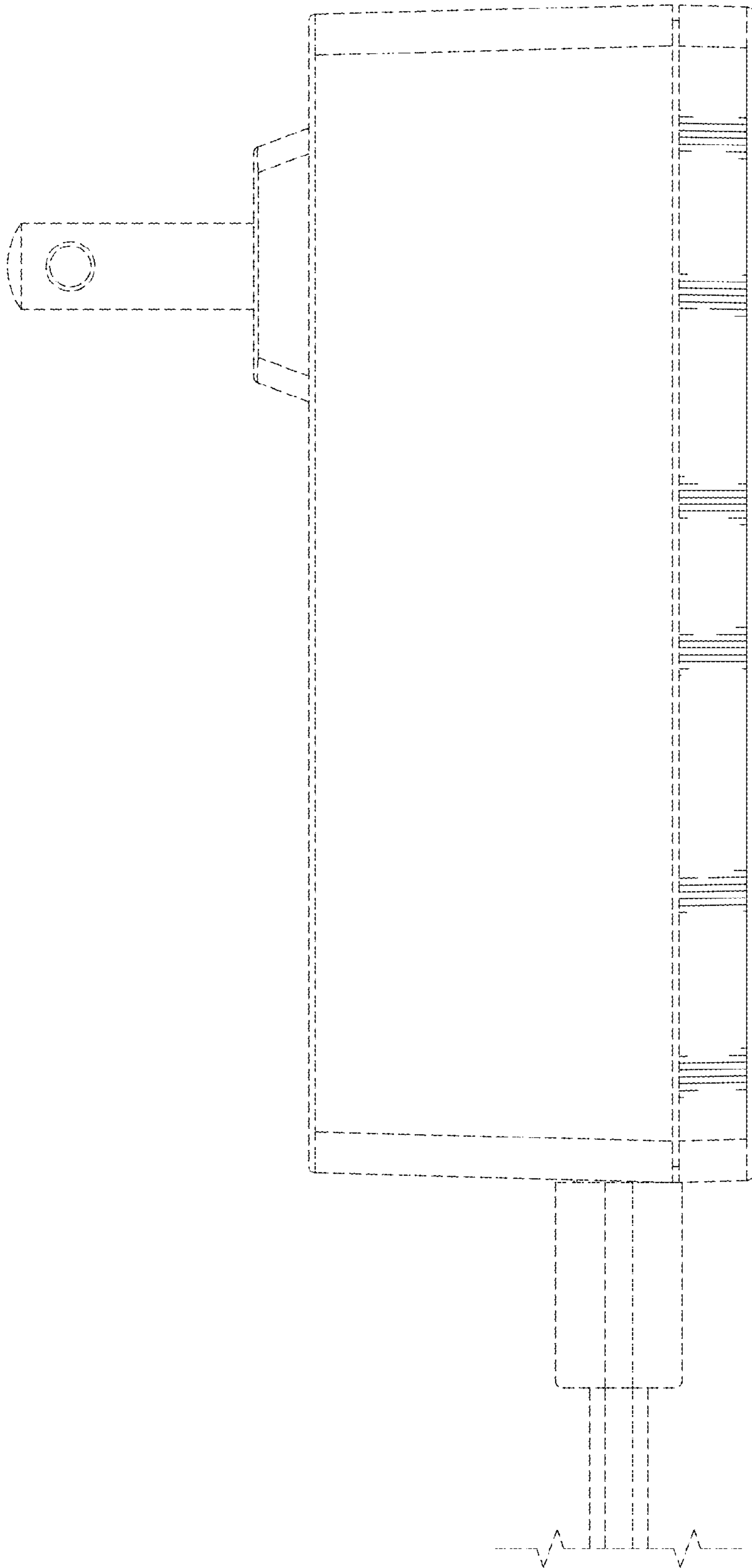


FIG. 5

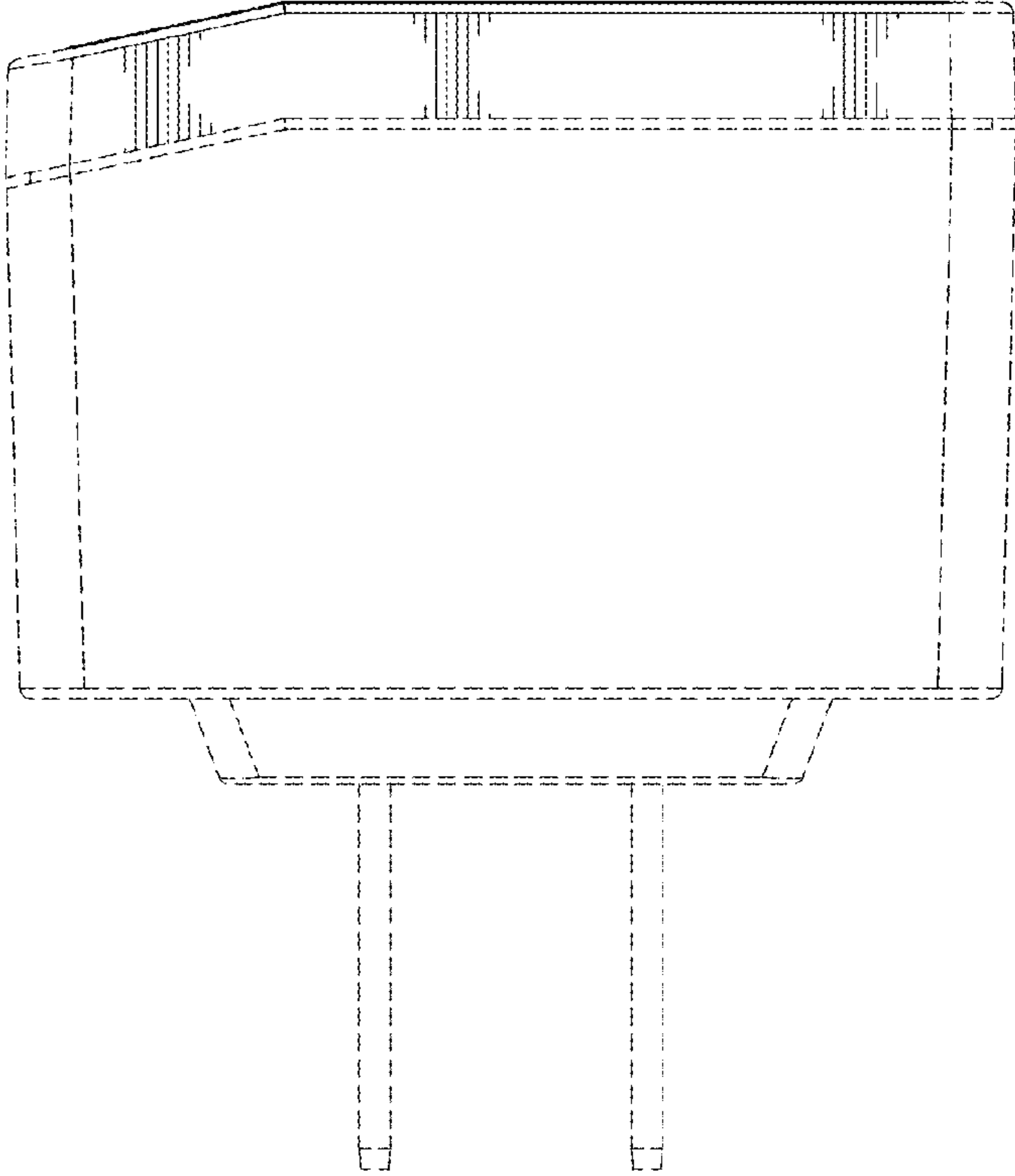


FIG. 6

FIG. 7

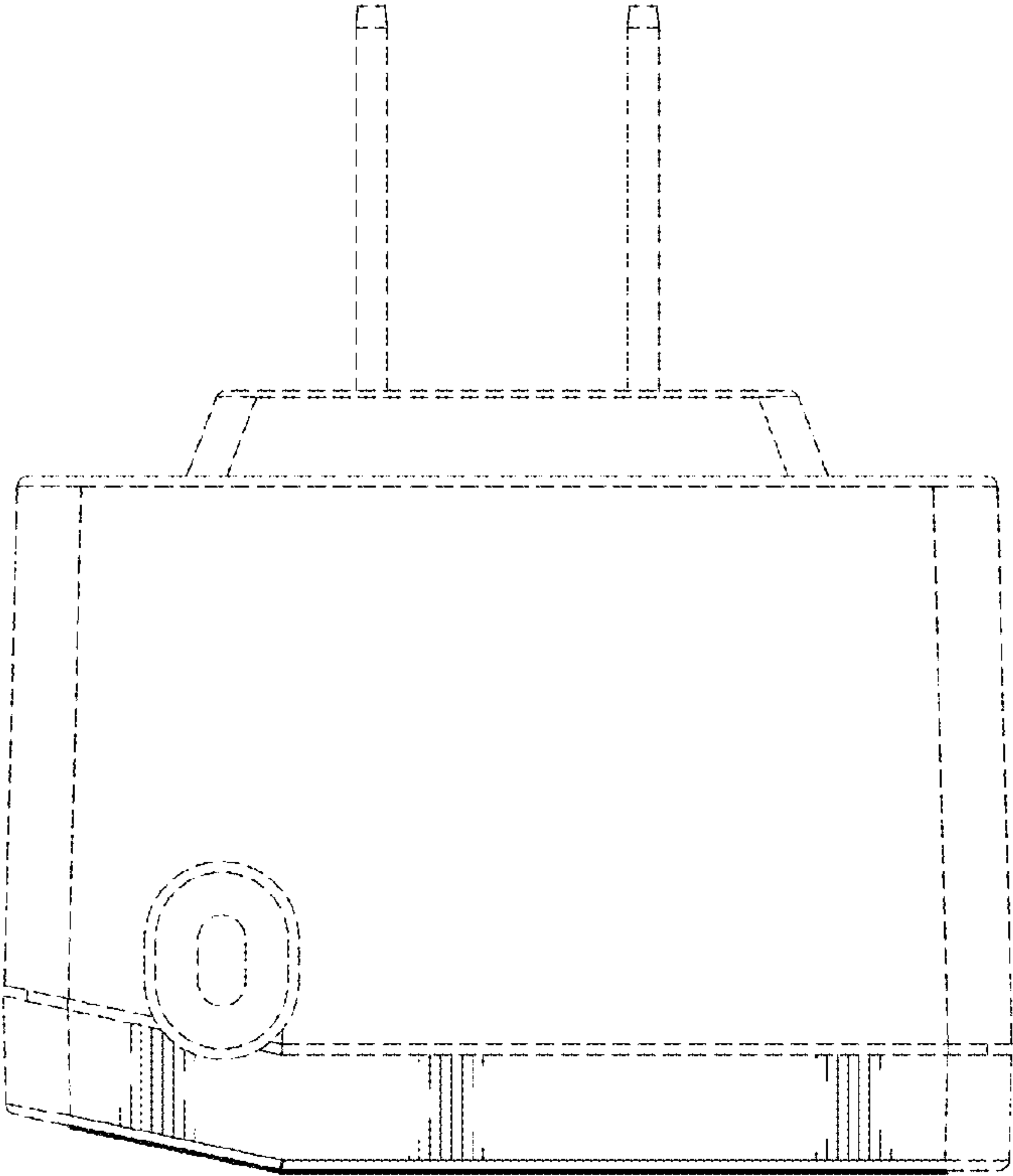


FIG. 8

