



US00D744946S

(12) **United States Design Patent**
Miller et al.

(10) **Patent No.:** **US D744,946 S**
(45) **Date of Patent:** **** Dec. 8, 2015**

(54) **PORTABLE POWER CHARGER WITH FLASHLIGHT**

H02J 7/0011; H02J 7/0013; H02J 7/02;
H02J 7/04

See application file for complete search history.

(71) Applicants: **Garold C. Miller**, Glastonbury, CT (US); **Nathan Daniel Weinstein**, Glastonbury, CT (US)

(56) **References Cited**

U.S. PATENT DOCUMENTS

(72) Inventors: **Garold C. Miller**, Glastonbury, CT (US); **Nathan Daniel Weinstein**, Glastonbury, CT (US)

D179,114 S	11/1956	Brody
D277,415 S	1/1985	Berger
D320,600 S	10/1991	Yuen
D371,616 S	7/1996	Porth et al.
D532,372 S	11/2006	Keating
D532,745 S	11/2006	Gaber et al.
D539,218 S	3/2007	Gaber et al.
D562,480 S	2/2008	Spartano et al.
D598,374 S	8/2009	Sasada
D645,816 S	9/2011	Sasada et al.
D645,817 S	9/2011	Sasada et al.
D665,346 S	8/2012	Kumagai et al.
D676,993 S	2/2013	Kotsis et al.

(73) Assignee: **Halo2Cloud, LLC**, Glastonbury, CT (US)

(**) Term: **14 Years**

(21) Appl. No.: **29/514,491**

(22) Filed: **Jan. 13, 2015**

(Continued)

Related U.S. Application Data

(60) Continuation of application No. 13/800,825, filed on Mar. 13, 2013, and a division of application No. 29/449,666, filed on Mar. 15, 2013.

Primary Examiner — Rosemary K Tarcza

(74) *Attorney, Agent, or Firm* — McCormick, Paulding & Huber LLP

(51) **LOC (10) Cl.** **13-02**

(52) **U.S. Cl.**
USPC **D13/108**; D13/103; D26/38

(57) **CLAIM**

The ornamental design for a portable power charger with flashlight, substantially as shown and described.

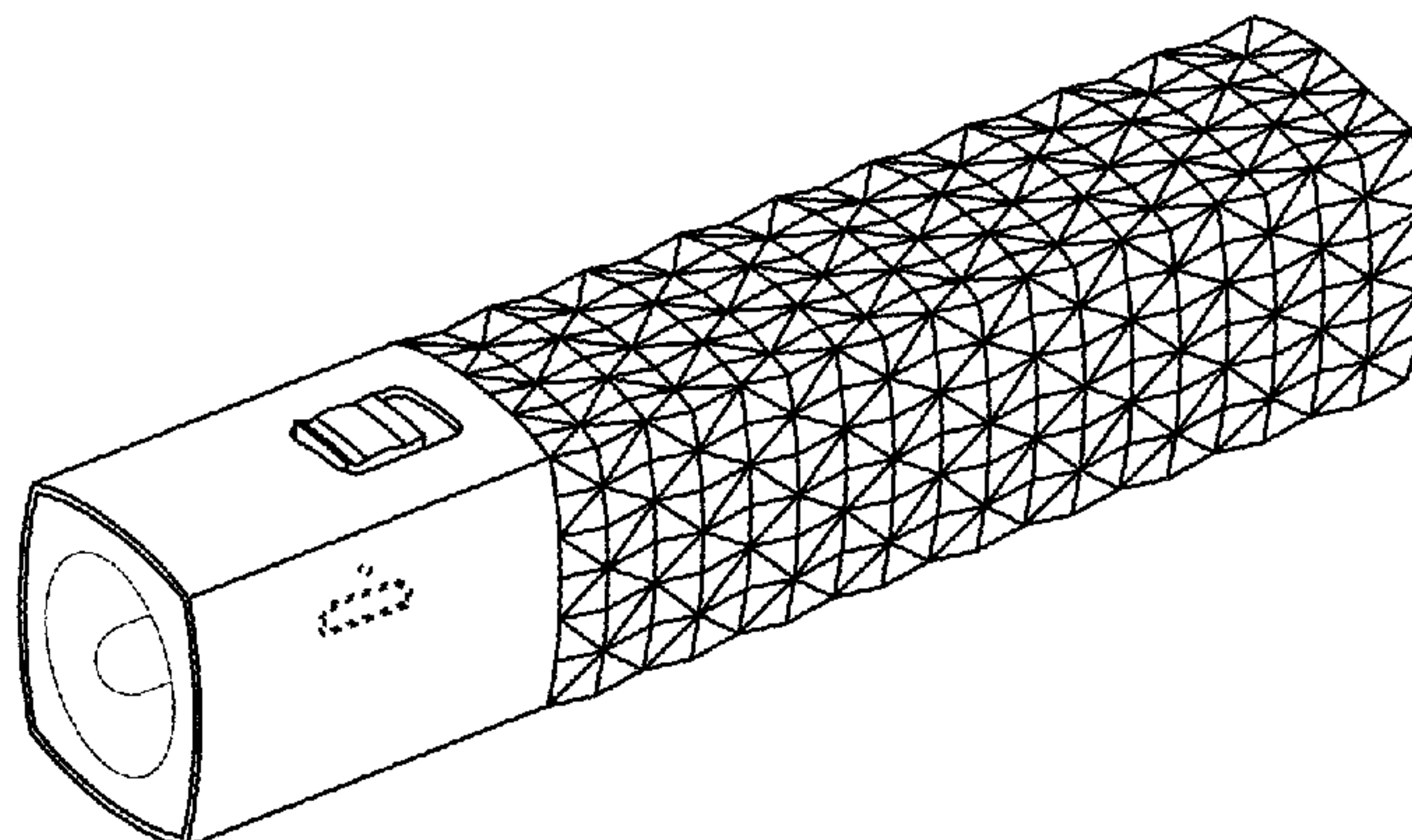
(58) **Field of Classification Search**

USPC D13/102–110, 118–119, 184, 199;
D14/356, 432; 320/103, 111–115,
320/135–146; 362/253, 200–202, 204–205,
362/194–196; D26/37–38, 46, 48, 50–52
CPC Y02E 60/10; Y02E 60/12; Y02E 60/122;
Y02E 60/124; Y02E 60/50; H01M 2/02;
H01M 2/002; H01M 2/0202; H01M 2/0207;
H01M 2/0212; H01M 2/1061; H01M 2/1022;
H01M 2/1055; H01M 2/1066; H01M 2/105;
H01M 2/20; H01M 2/202; H01M 2/204;
H01M 2/206; H01M 10/4257; H01M 10/0436;
H01M 10/48; H01M 10/44; H01M 10/46;
H01M 10/465; H01M 10/482; H01M 10/488;
H01M 10/24; H01M 2200/30; H01M 2250/30;
H01M 2250/40; H02J 7/00; H02J 7/0003;

DESCRIPTION

FIG. 1 is a front, top, left-hand side perspective view of a portable power charger with flashlight comprising an embodiment of a new, original and ornamental design;
FIG. 2 is a front view thereof;
FIG. 3 is a bottom view thereof;
FIG. 4 is a rear view thereof; and
FIG. 5 is a top view thereof;
FIG. 6 is a left-hand side view thereof; and,
FIG. 7 is a right-hand side view thereof.
The broken lines shown in the drawings illustrate unclaimed portions of the article and form no part of the claimed design.

1 Claim, 2 Drawing Sheets



(56)

References Cited

U.S. PATENT DOCUMENTS

D686,155 S 7/2013 Nguyen
D690,449 S 9/2013 Yeh
D695,216 S 12/2013 Miller et al.
D702,632 S 4/2014 Salmon

D703,134 S 4/2014 Wong
D711,820 S 8/2014 Zeng
D713,335 S 9/2014 Mao
D730,282 S * 5/2015 Miller et al. D13/108
D733,050 S * 6/2015 Chiang D13/108
2007/0241721 A1 10/2007 Weinstein et al.

* cited by examiner

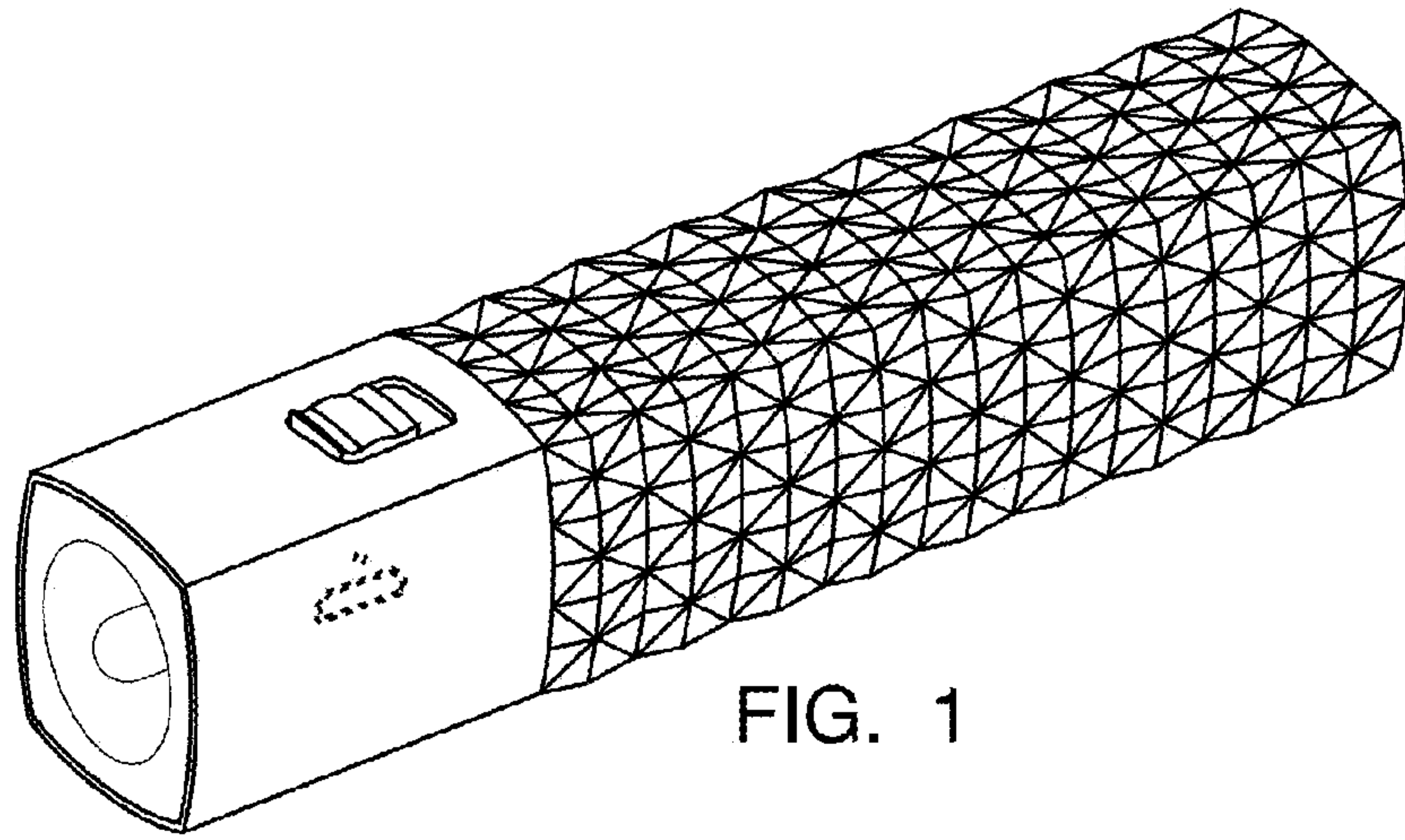


FIG. 1

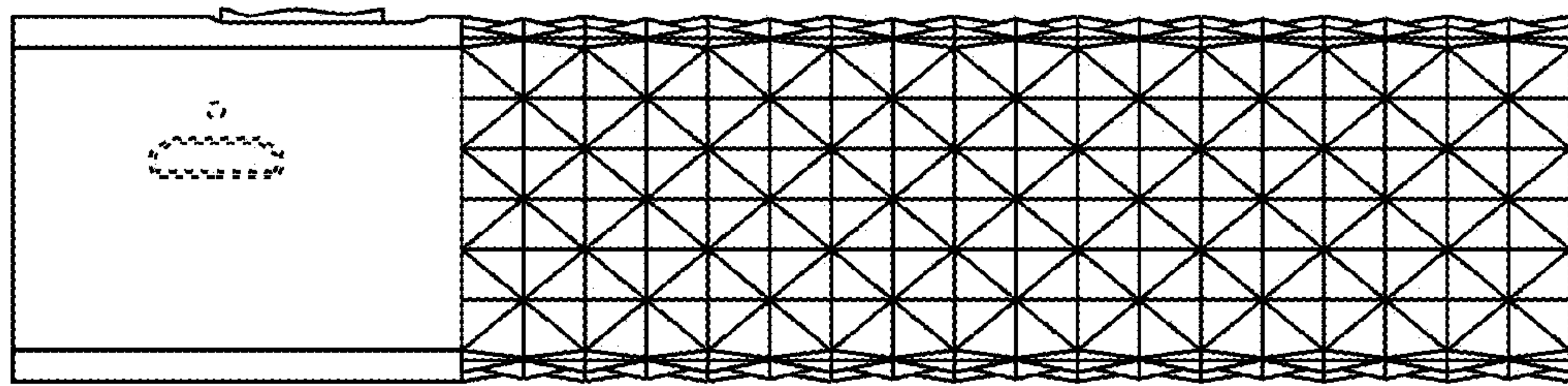


FIG. 2

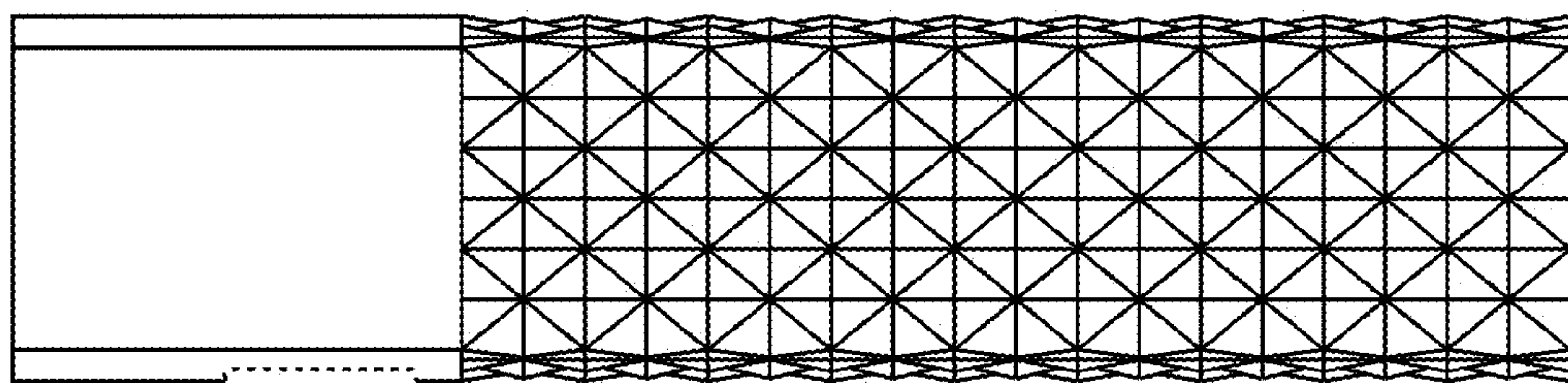


FIG. 3

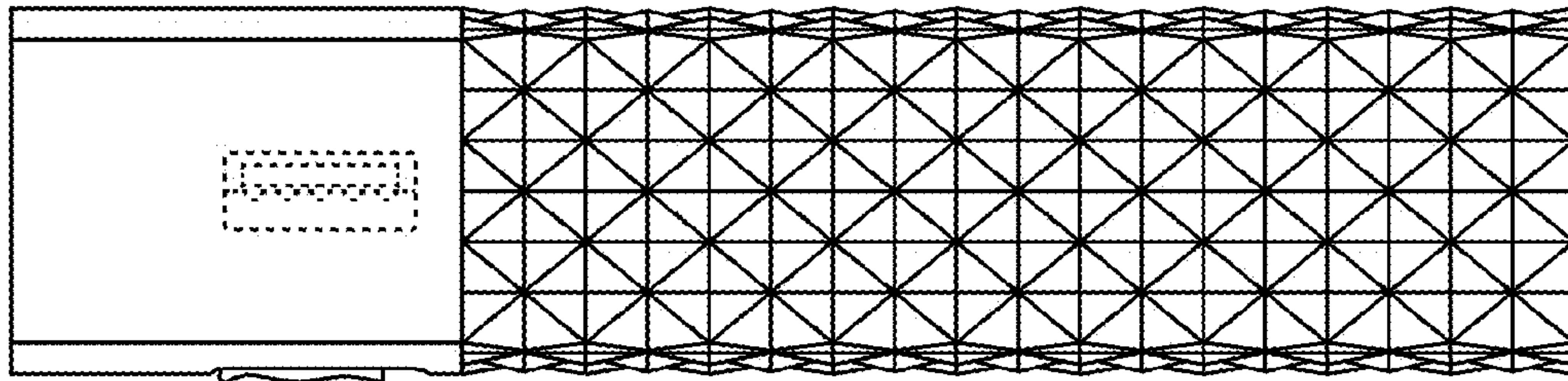


FIG. 4

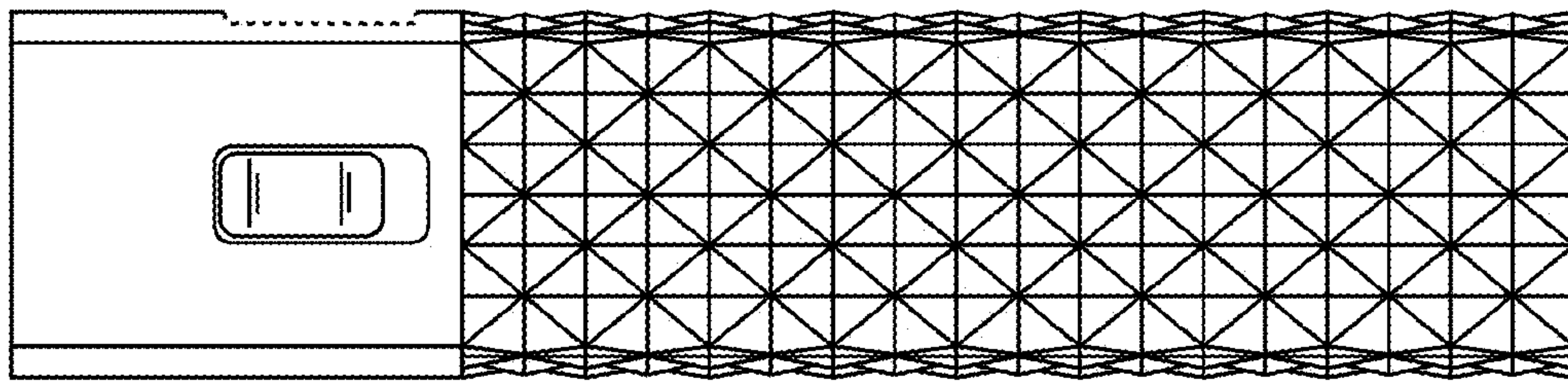


FIG. 5

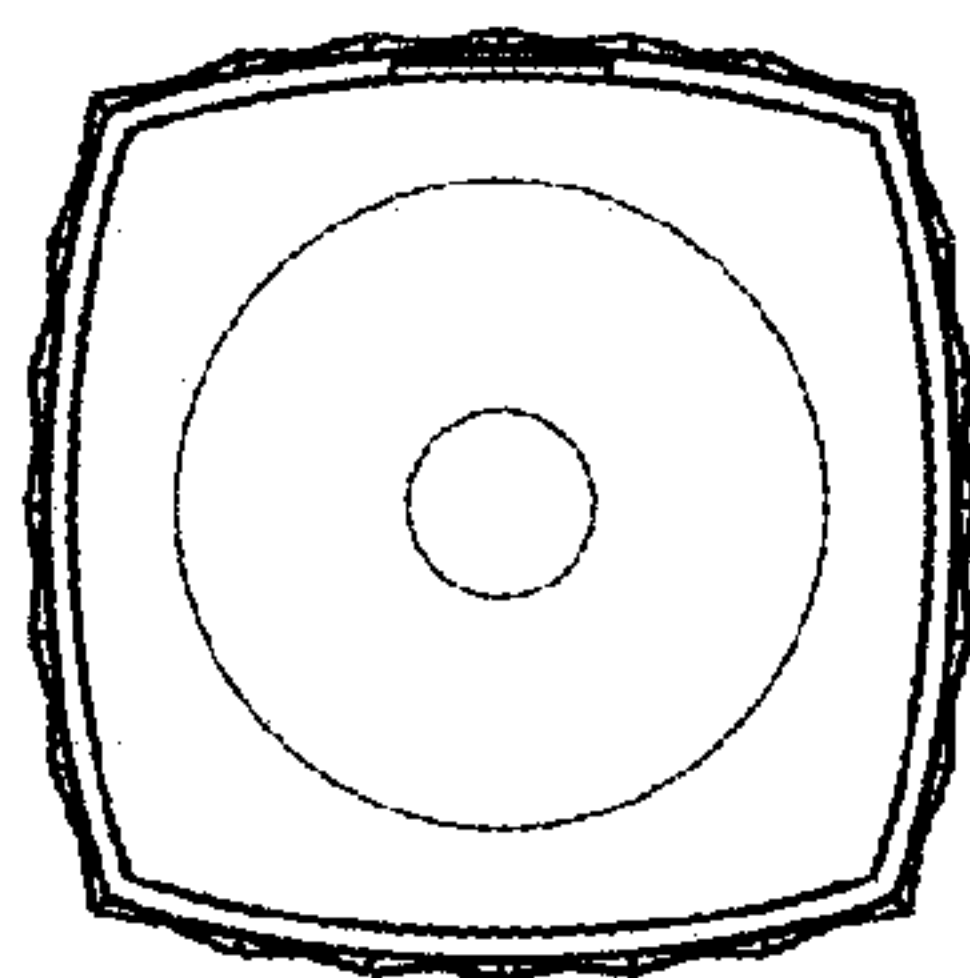


FIG. 6

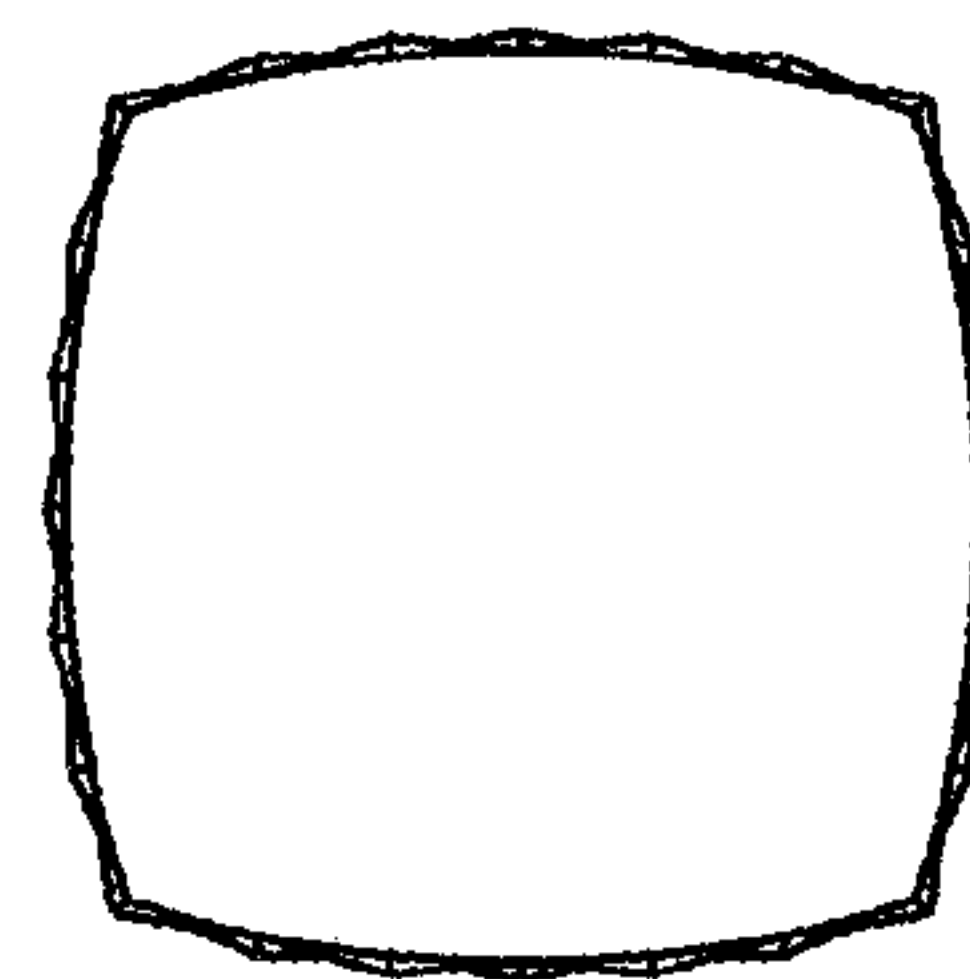


FIG. 7