



US00D744945S

(12) **United States Design Patent**
Bates

(10) **Patent No.:** **US D744,945 S**

(45) **Date of Patent:** **** Dec. 8, 2015**

(54) **BATTERY CHARGER**

(71) Applicant: **Lawrence M. Bates**, Deland, FL (US)

(72) Inventor: **Lawrence M. Bates**, Deland, FL (US)

(73) Assignee: **Deltona Transformer Corporation**,
Deland, FL (US)

(**) Term: **14 Years**

(21) Appl. No.: **29/494,720**

(22) Filed: **Jun. 24, 2014**

(51) **LOC (10) Cl.** **13-02**

(52) **U.S. Cl.**
USPC **D13/107**

(58) **Field of Classification Search**

USPC D13/107-110, 118-119, 182, 199;
D14/251, 253, 432, 434; 320/107-115
CPC Y02E 60/12; Y02T 90/14; Y02T 90/122;
Y02T 90/128; Y02T 90/163; H02J 7/025;
H02J 7/0042; H02J 7/0044; H02J 7/0045;
H02J 7/003; H01F 38/14; H01R 13/6675;
H01M 2/1022; H01M 2/1055; H01M 10/44;
H01M 10/46; H01M 10/425; B60L 11/182
See application file for complete search history.

(56) **References Cited**

U.S. PATENT DOCUMENTS

D454,537 S * 3/2002 O'Connor D13/110
D562,766 S * 2/2008 Yang D13/110
D634,269 S * 3/2011 Griffin, Jr. D13/103
D676,382 S * 2/2013 McSweyn D13/108

D677,223 S * 3/2013 Cho D13/110
D687,771 S * 8/2013 Rabalais D13/107
D695,214 S * 12/2013 Roberts D13/107
D699,673 S * 2/2014 Rabalais D13/107
2005/0088141 A1* 4/2005 Lee A45F 5/00
320/114

* cited by examiner

Primary Examiner — Rosemary K Tarcza

(74) *Attorney, Agent, or Firm* — Livingston Loeffler, P.A.;
Edward M. Livingston, Esq; Bryan L. Loeffler, Esq

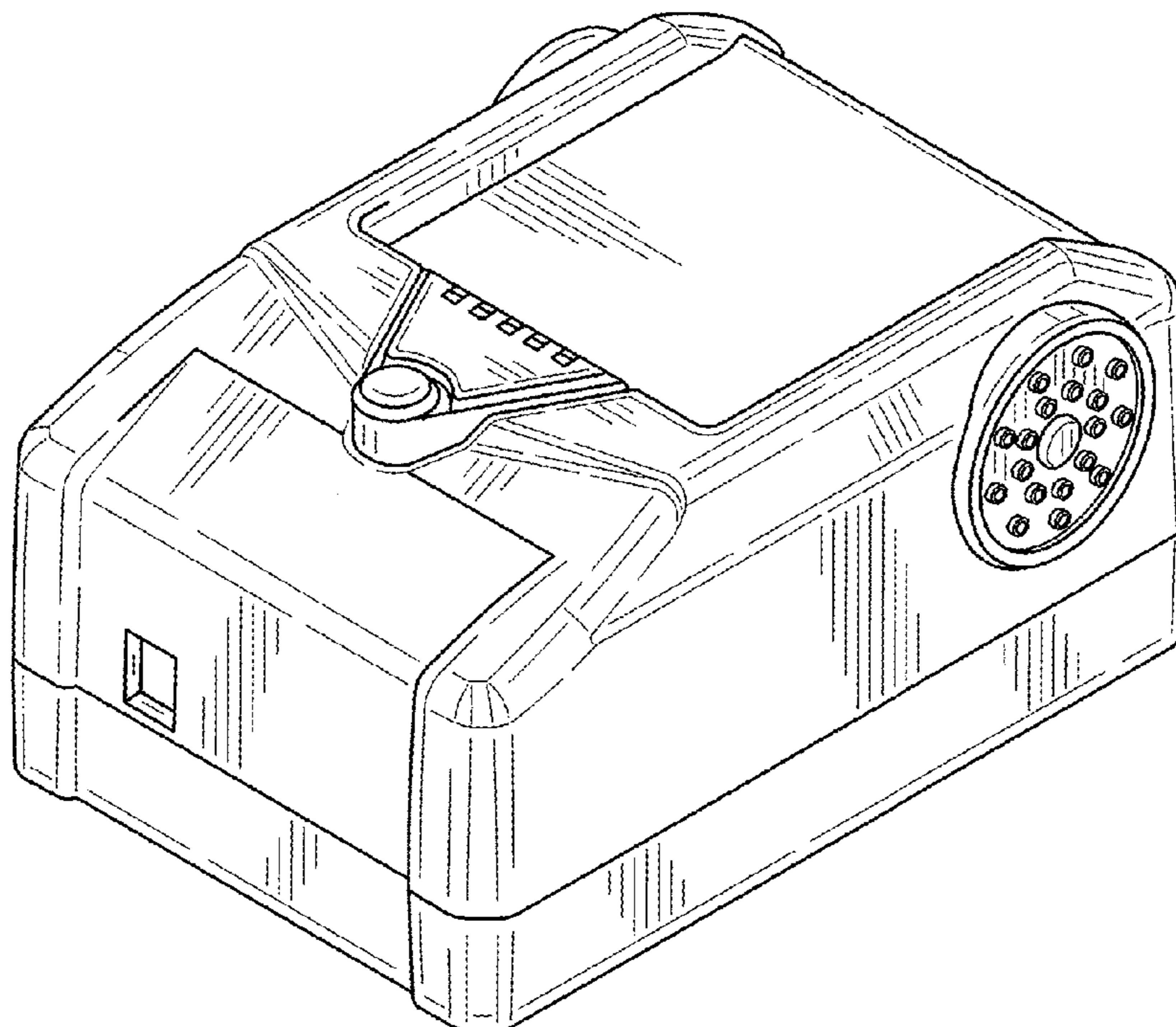
(57) **CLAIM**

The ornamental design for a battery charger, as shown and described.

DESCRIPTION

FIG. 1 is a front perspective view of a battery charger of the present invention;
FIG. 2 is a front view of the battery charger of the present invention;
FIG. 3 is a rear view of the battery charger of the present invention;
FIG. 4 is a bottom view of the battery charger of the present invention;
FIG. 5 is a top view of the battery charger of the present invention;
FIG. 6 is a right side view of the battery charger of the present invention; and,
FIG. 7 is a left side view of the battery charger of the present invention.

1 Claim, 3 Drawing Sheets



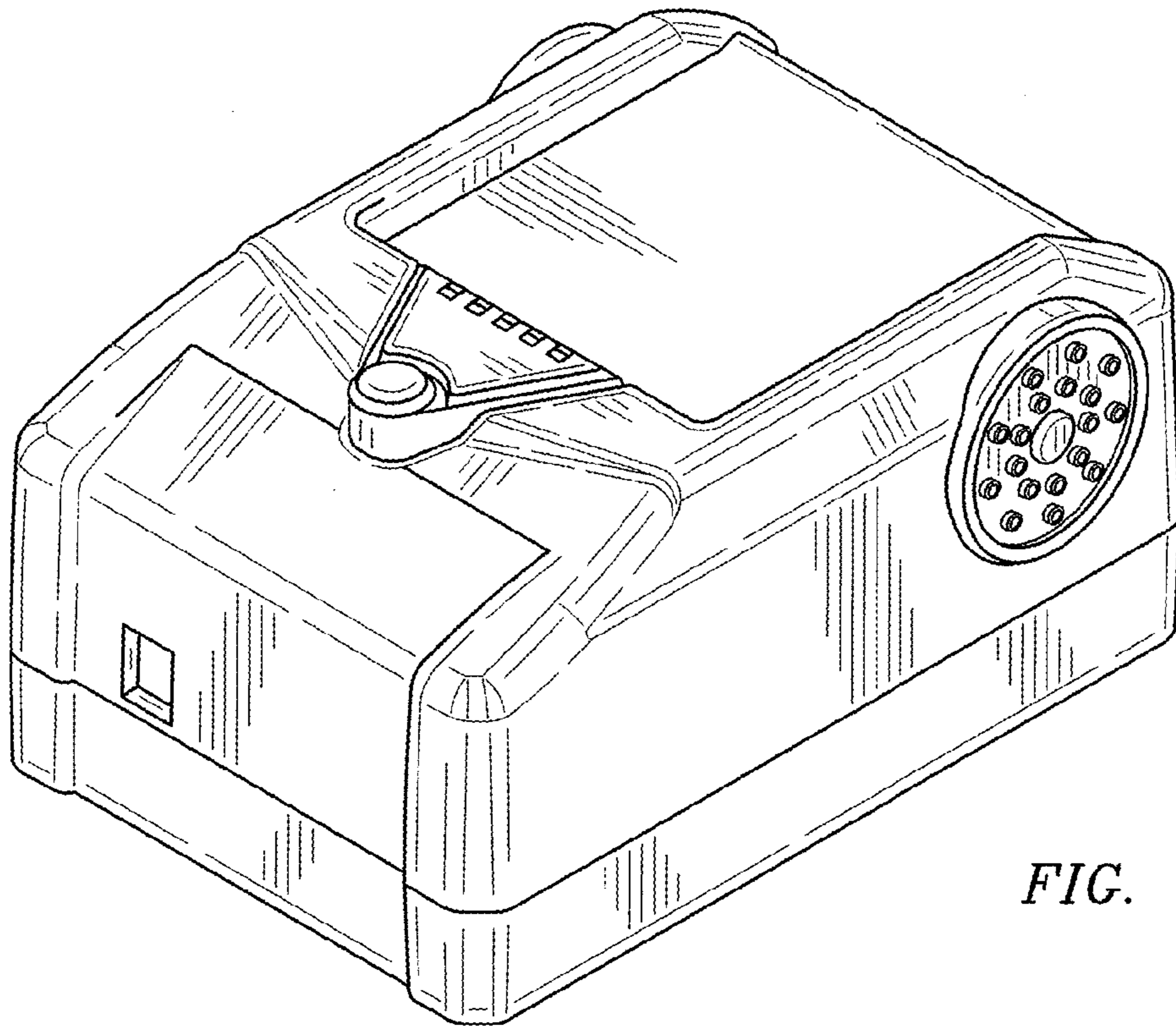


FIG. 1

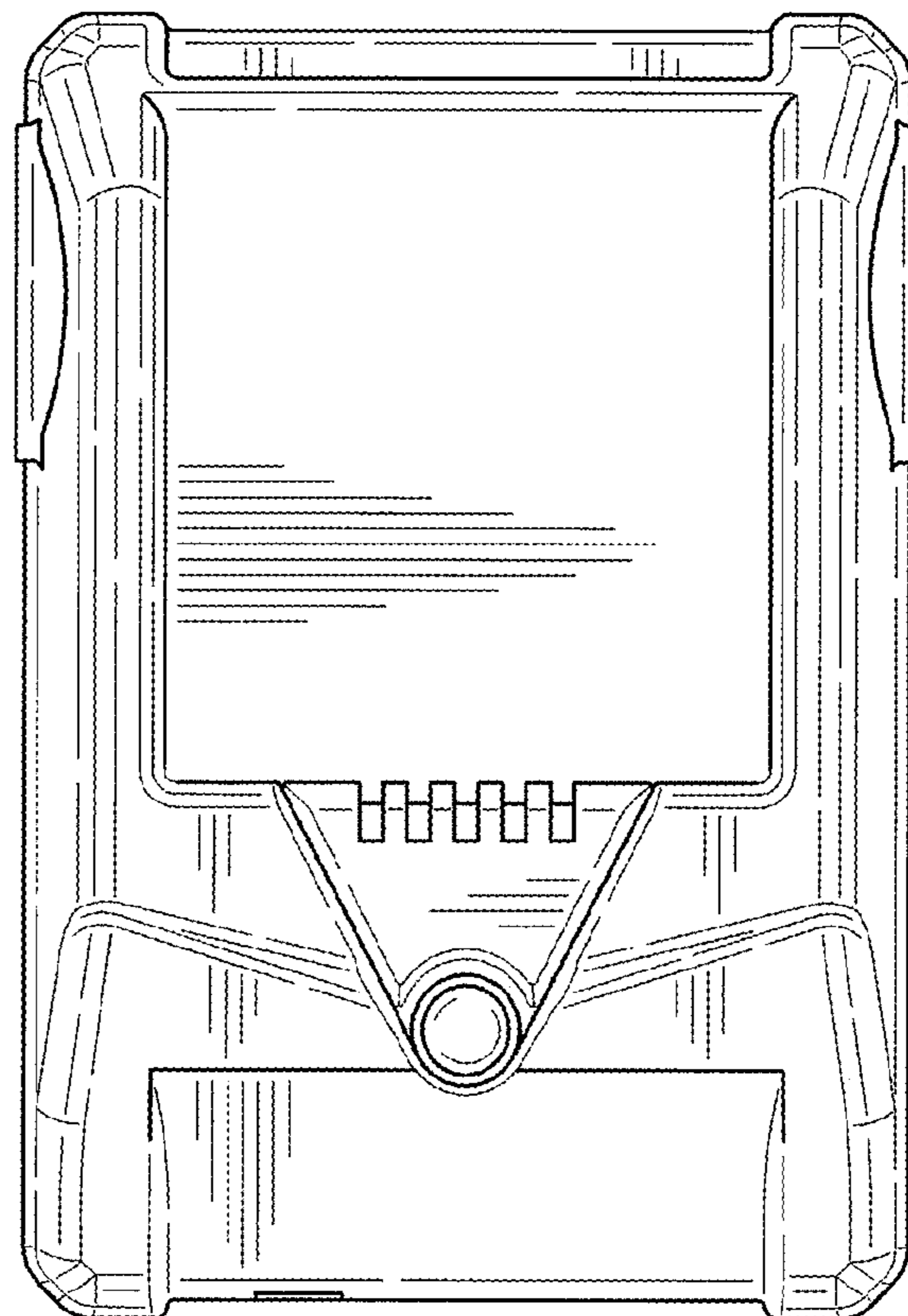


FIG. 2

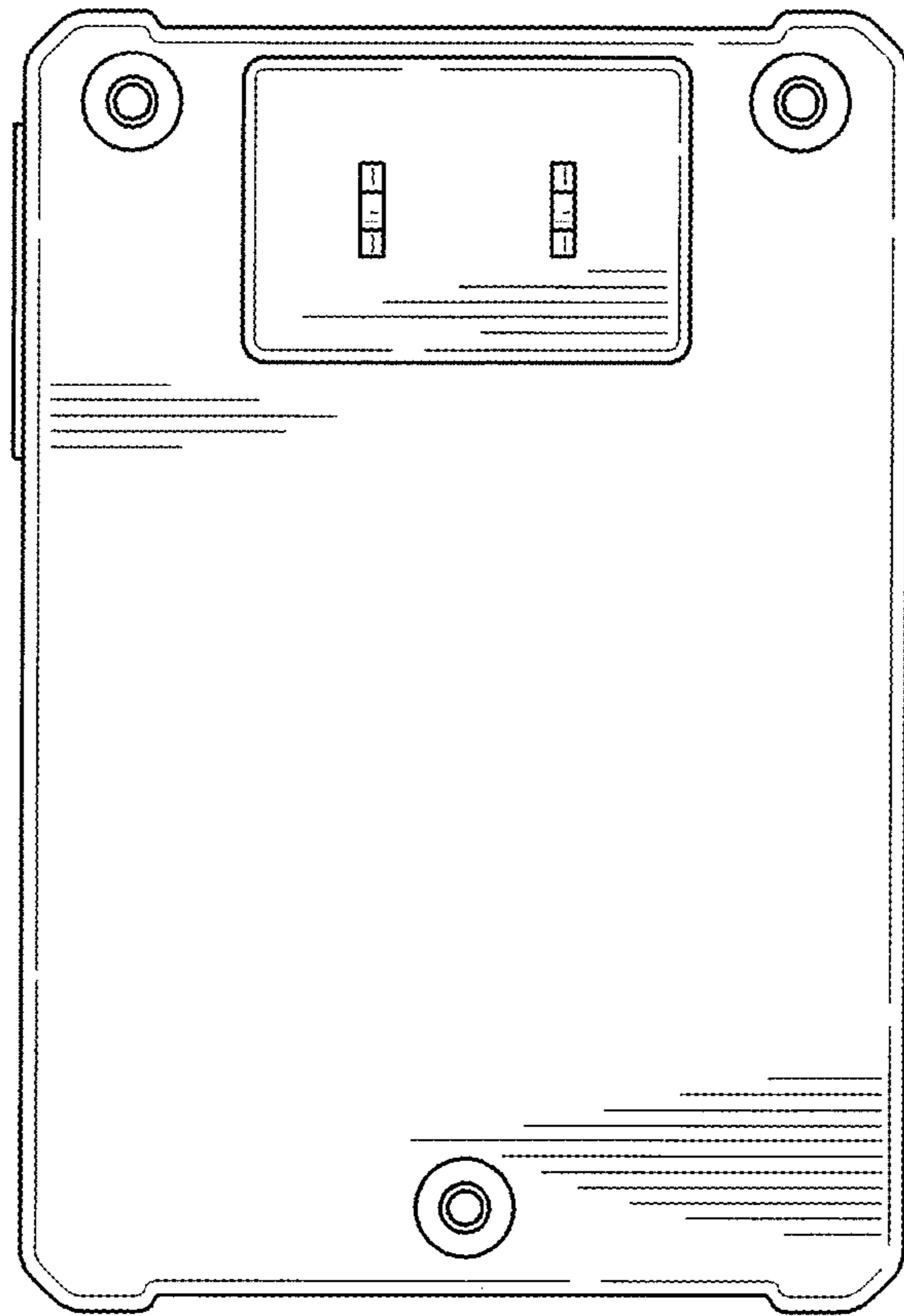


FIG. 3

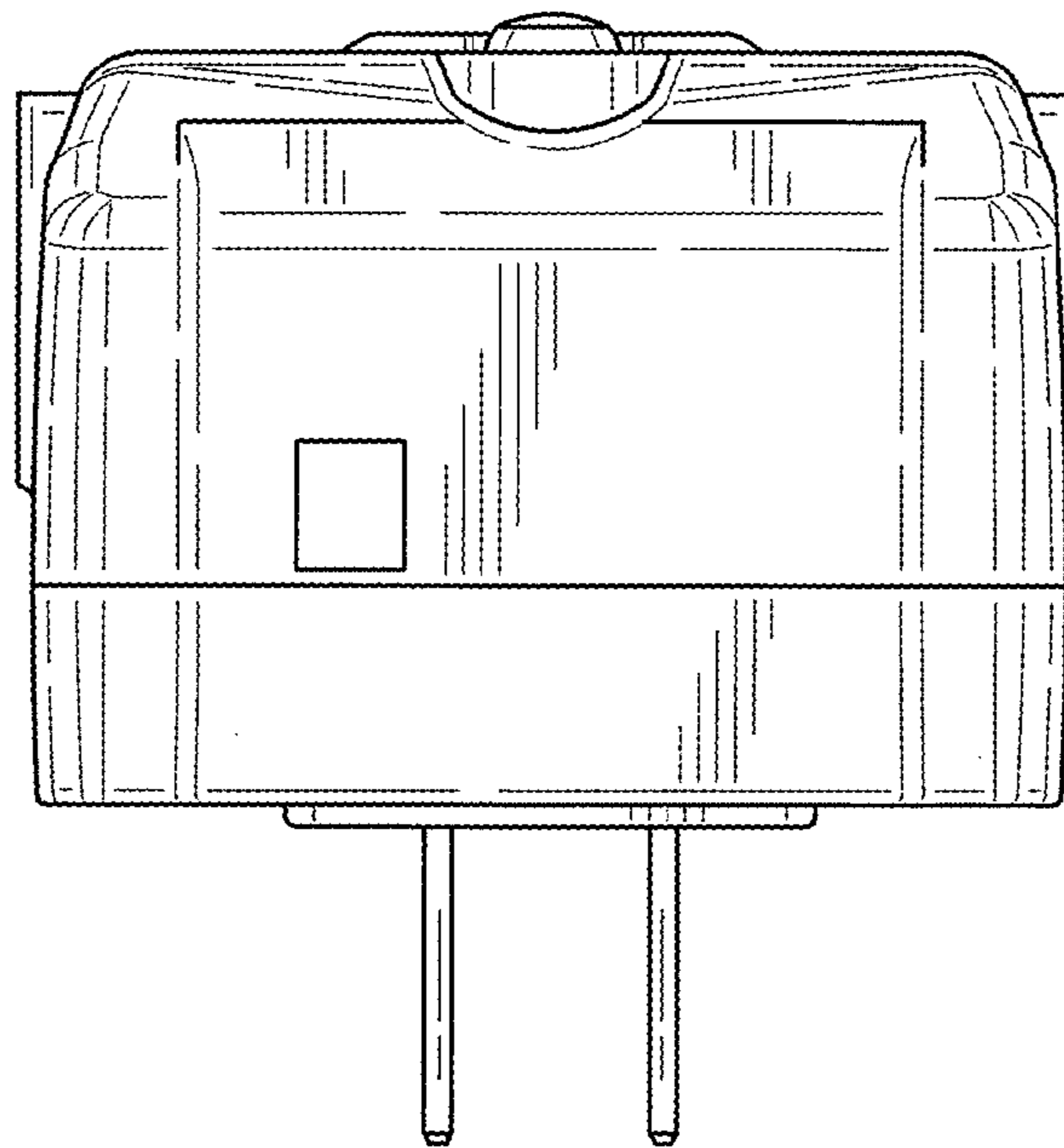


FIG. 4

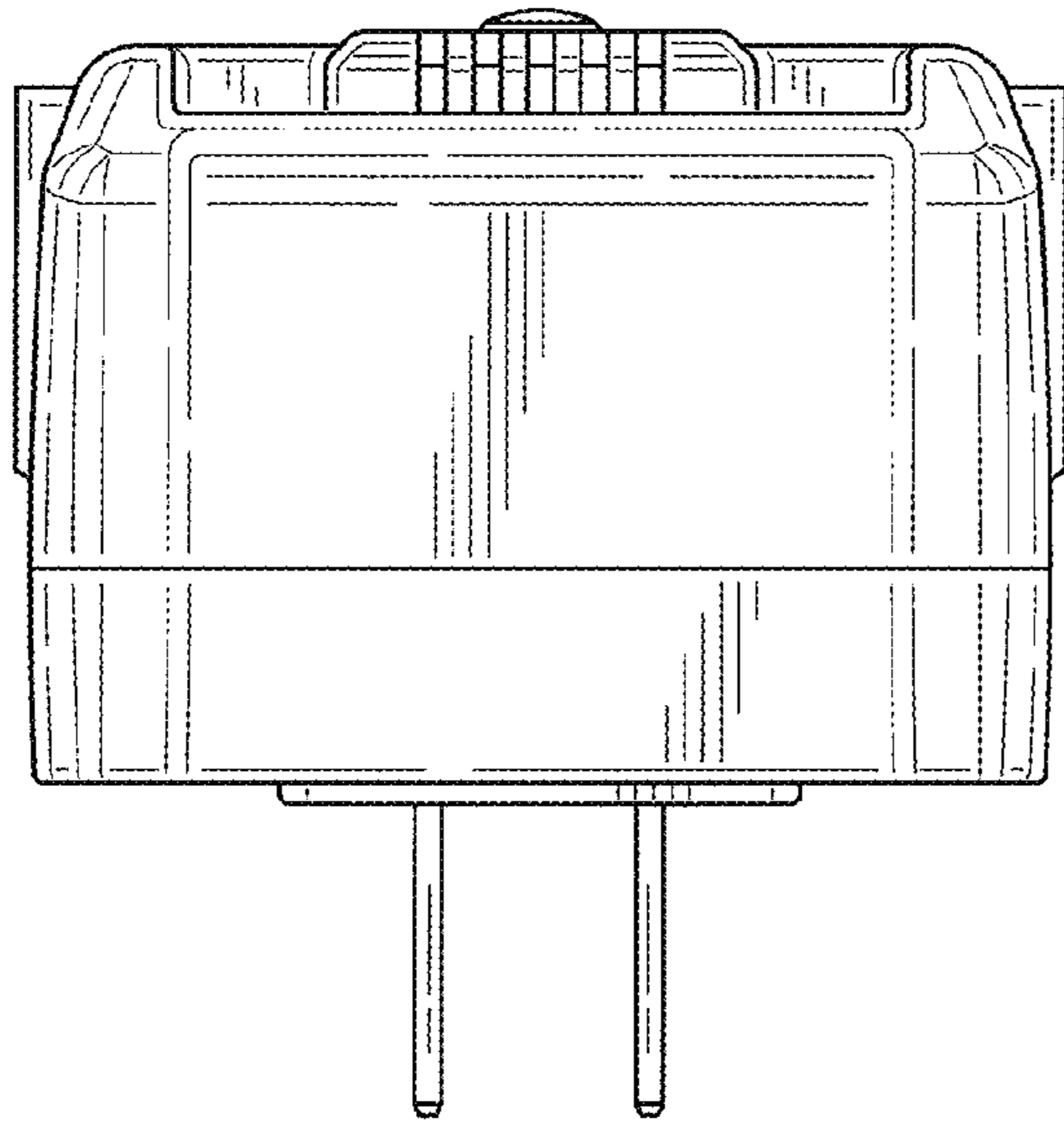


FIG. 5

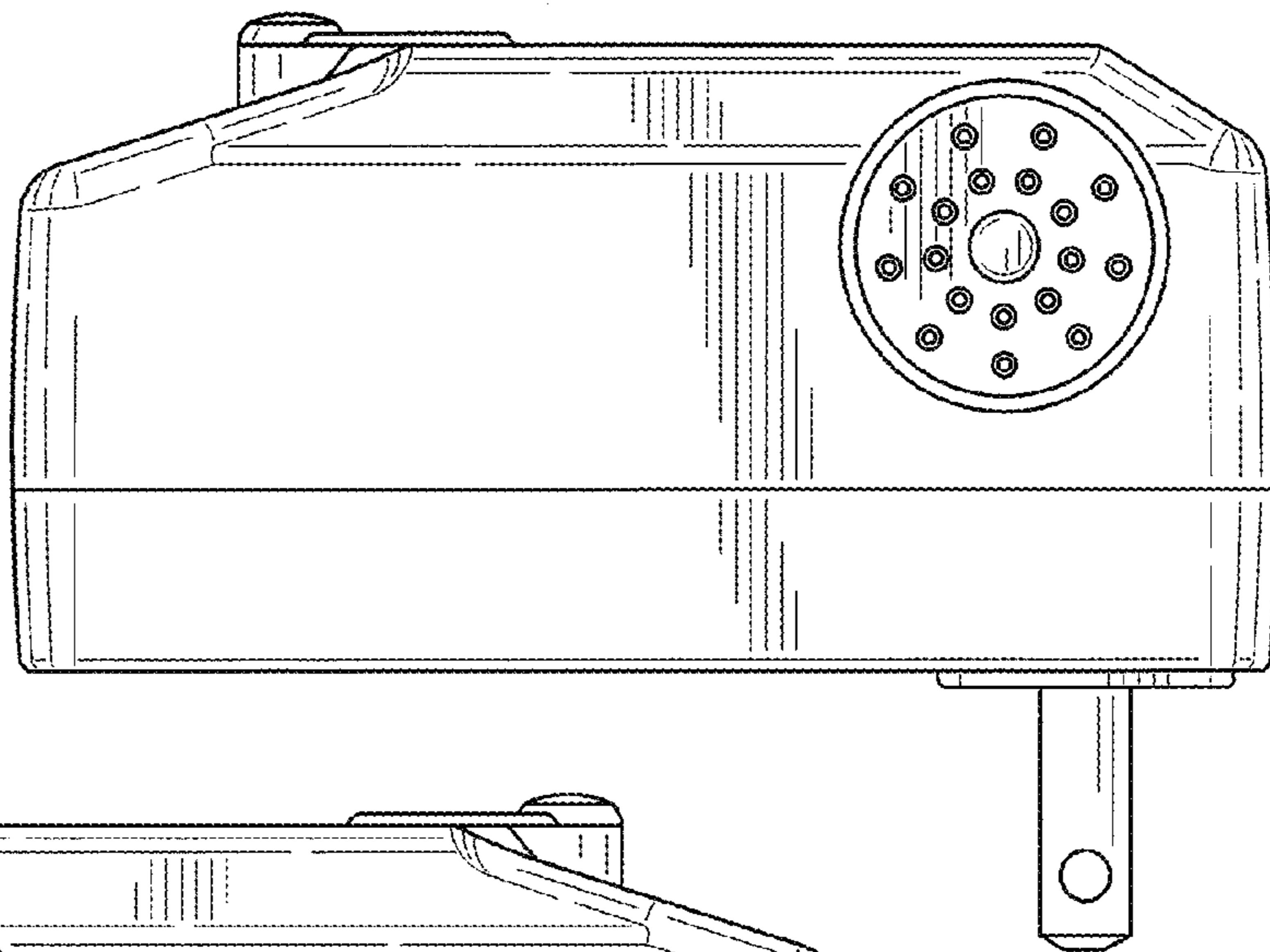


FIG. 6

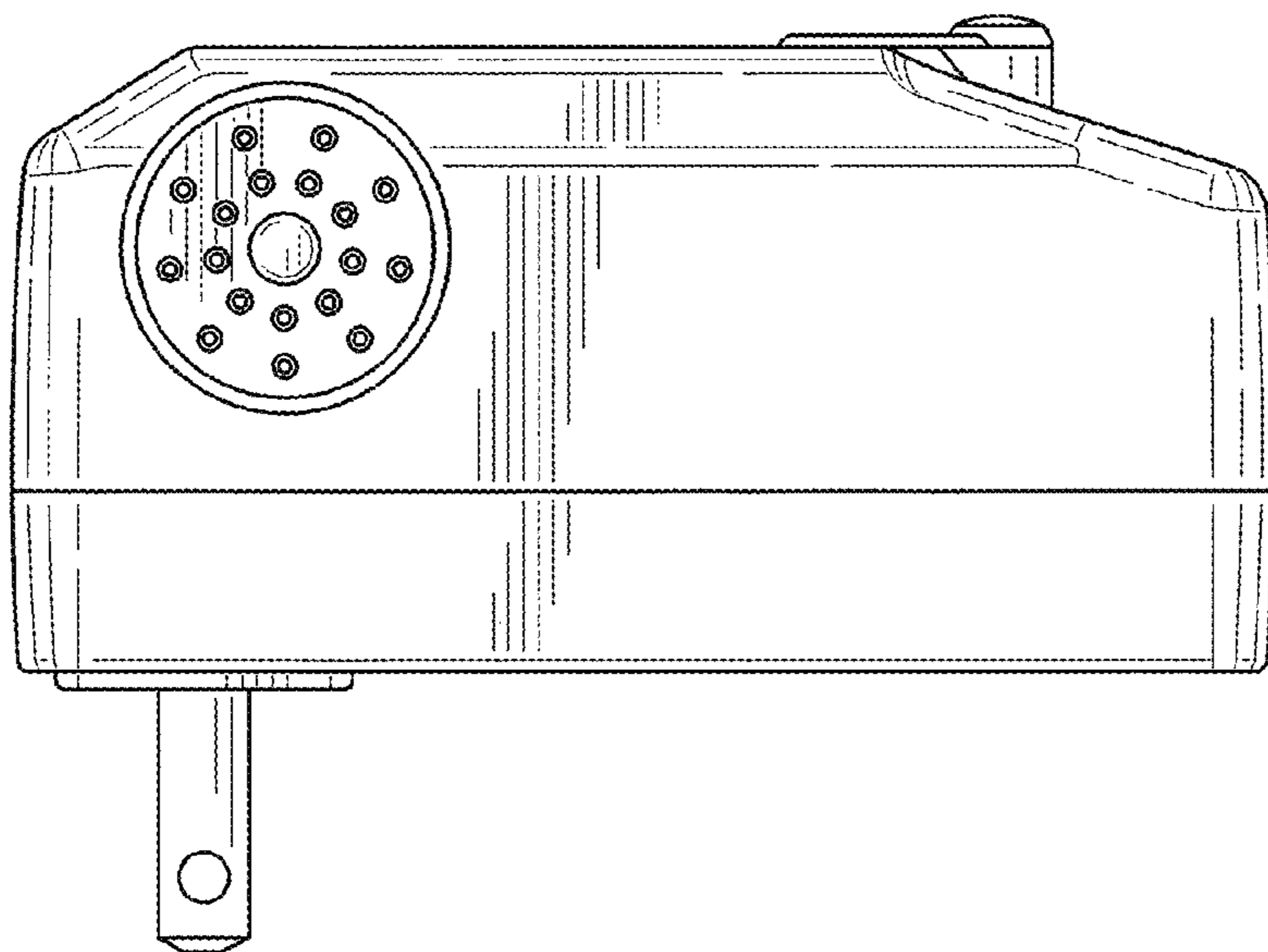


FIG. 7