



US00D744944S

(12) **United States Design Patent**
Bates

(10) **Patent No.:** **US D744,944 S**
(45) **Date of Patent:** **** Dec. 8, 2015**

- (54) **BATTERY CHARGER**
- (71) Applicant: **Lawrence M. Bates**, Deland, FL (US)
- (72) Inventor: **Lawrence M. Bates**, Deland, FL (US)
- (73) Assignee: **Deltona Transformer Corporation**,
Deland, FL (US)
- (**) Term: **14 Years**
- (21) Appl. No.: **29/494,718**
- (22) Filed: **Jun. 24, 2014**
- (51) **LOC (10) Cl.** **13-02**
- (52) **U.S. Cl.**
USPC **D13/107**
- (58) **Field of Classification Search**
USPC D13/107-110, 118-119, 182, 199;
D14/251, 253, 432, 434; 320/107-115
CPC Y02E 60/12; Y02T 90/14; Y02T 90/122;
Y02T 90/128; Y02T 90/163; H02J 7/025;
H02J 7/0042; H02J 7/0044; H02J 7/0045;
H02J 7/0003; H01F 38/14; H01R 13/6675;
H01M 2/1022; H01M 2/1055; H01M 10/44;
H01M 10/46; H01M 10/425; B60L 11/182
See application file for complete search history.

D677,223	S	*	3/2013	Cho	D13/110
D687,771	S	*	8/2013	Rabalais	D13/107
D695,214	S	*	12/2013	Roberts	D13/107
D699,673	S	*	2/2014	Rabalais	D13/107
2005/0088141	A1	*	4/2005	Lee	A45F 5/00 320/114

* cited by examiner

Primary Examiner — Rosemary K Tarcza

(74) *Attorney, Agent, or Firm* — Livingston Loeffler, P.A.;
Edward M. Livingston, Esq.; Bryan L. Loeffler, Esq.

(57) **CLAIM**

The ornamental design for a battery charger, of the present invention as shown and described.

DESCRIPTION

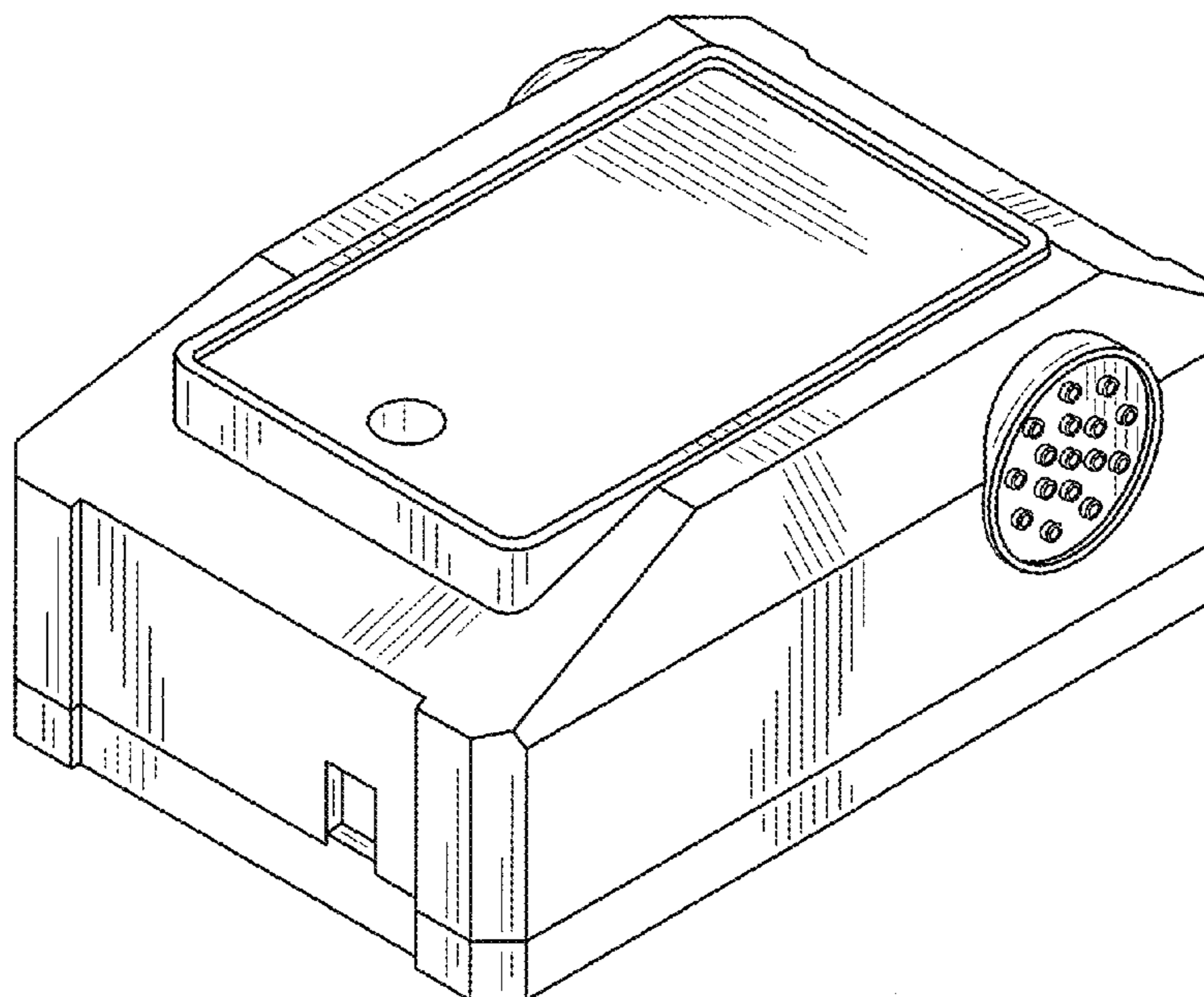
FIG. 1 is a front perspective view of a battery charger of the present invention;
 FIG. 2 is a front view of the battery charger of the present invention;
 FIG. 3 is a rear view of the battery charger of the present invention;
 FIG. 4 is a bottom view of the battery charger of the present invention;
 FIG. 5 is a top view of the battery charger of the present invention;
 FIG. 6 is a right side view of the battery charger of the present invention; and,
 FIG. 7 is a left side view of the battery charger of the present invention.

1 Claim, 3 Drawing Sheets

(56) **References Cited**

U.S. PATENT DOCUMENTS

D454,537	S	*	3/2002	O'Connor	D13/110
D562,766	S	*	2/2008	Yang	D13/110
D634,269	S	*	3/2011	Griffin, Jr.	D13/103
D676,382	S	*	2/2013	McSweyn	D13/108



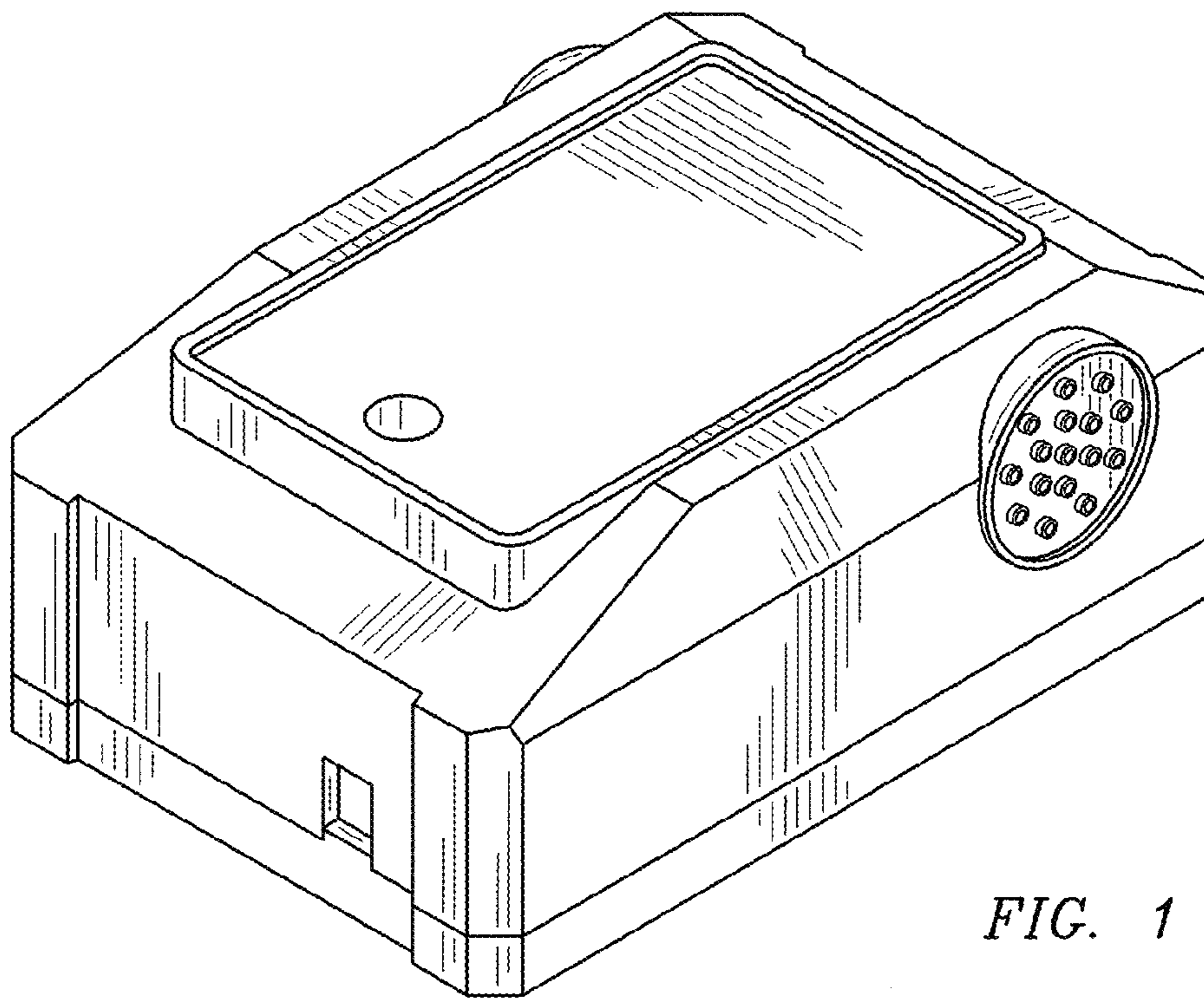


FIG. 1

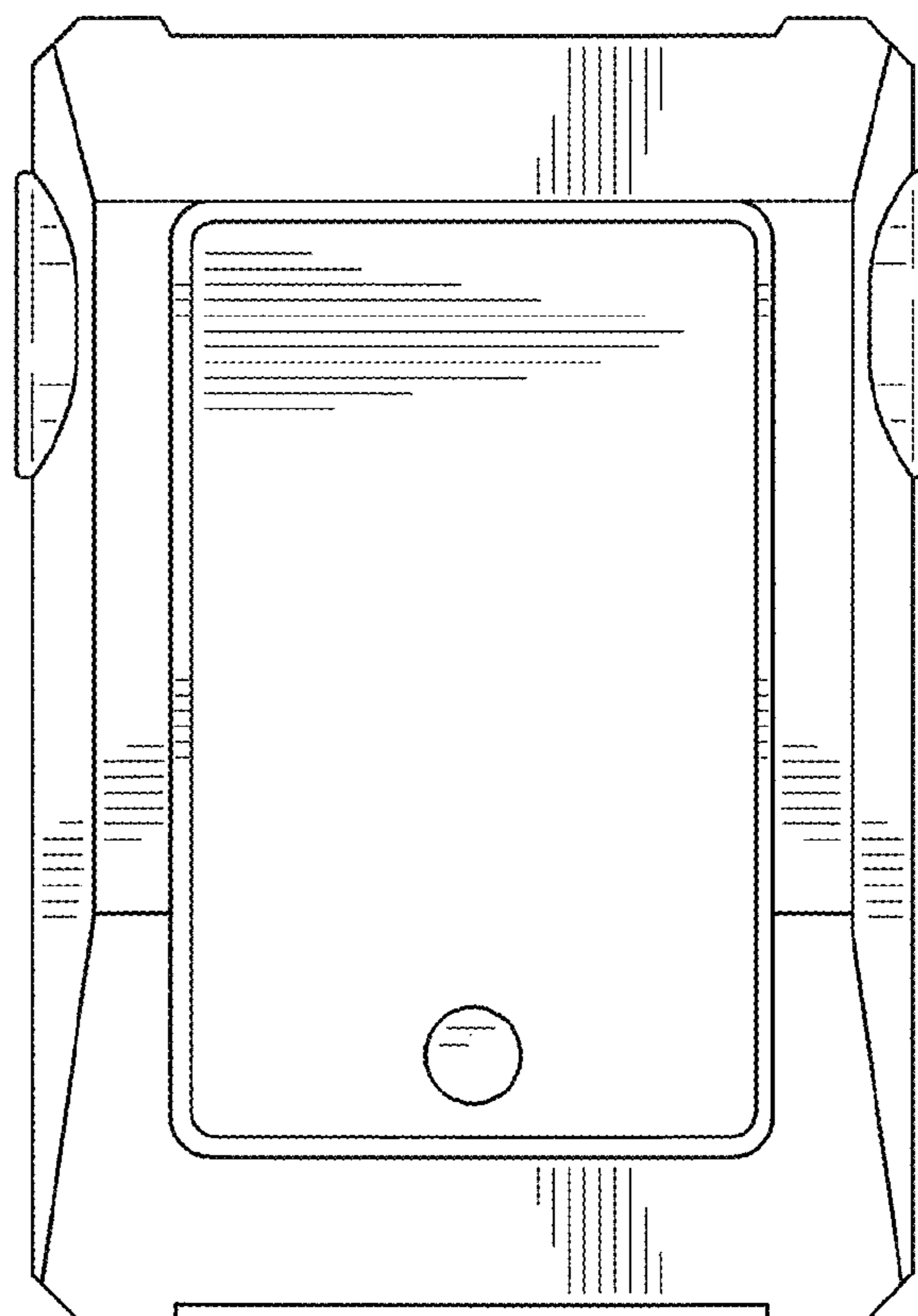


FIG. 2

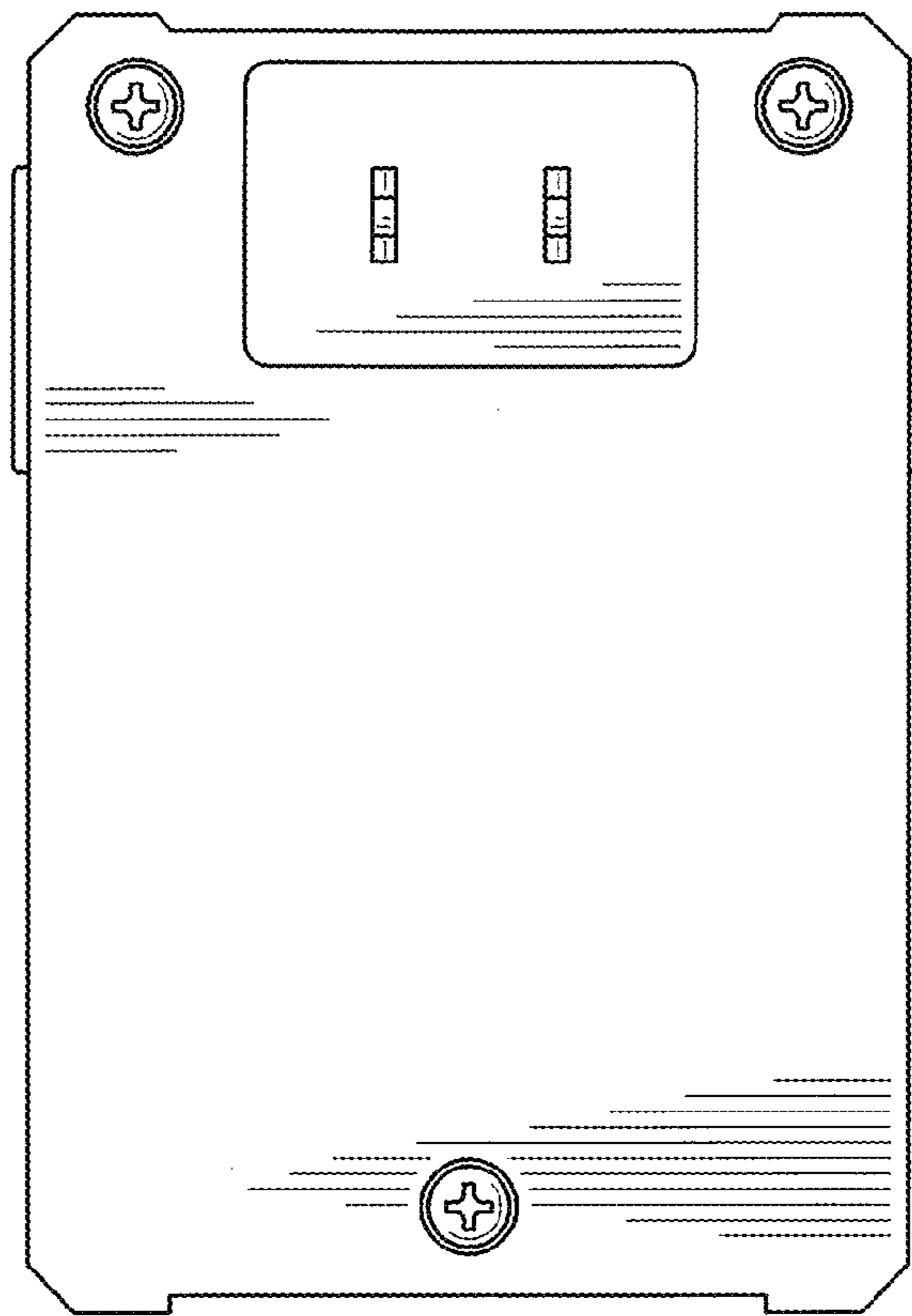


FIG. 3

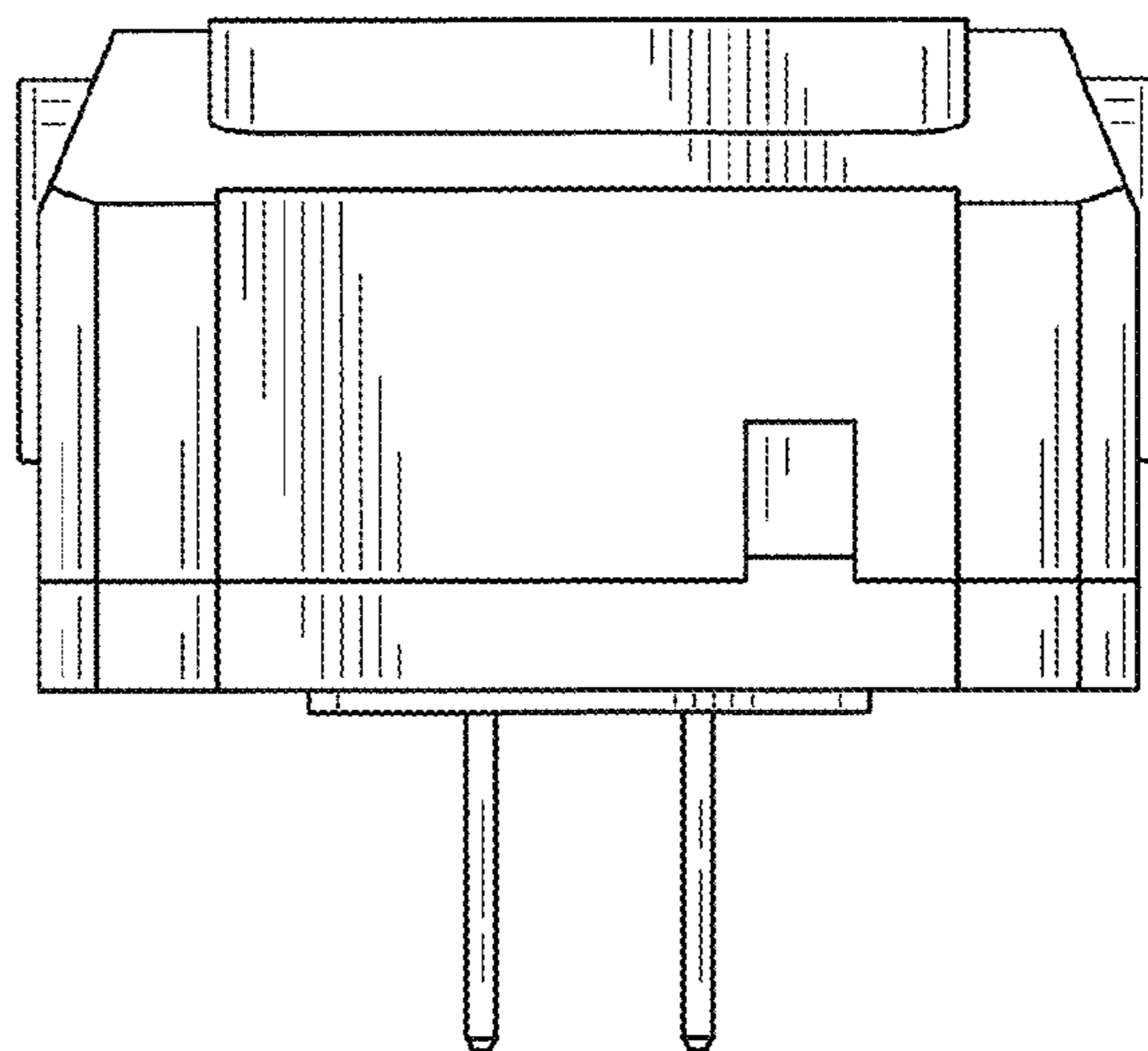


FIG. 4

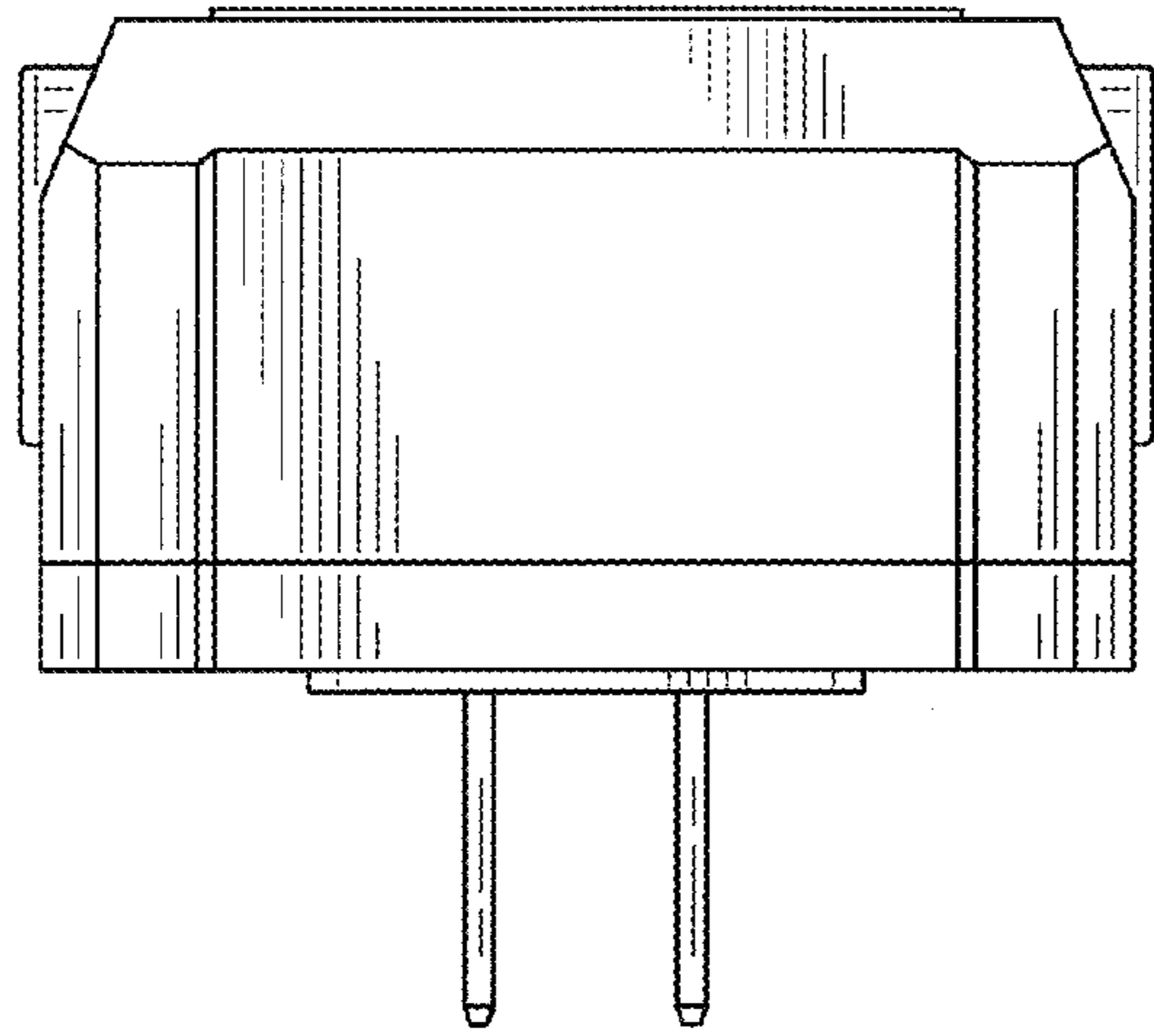


FIG. 5

FIG. 6

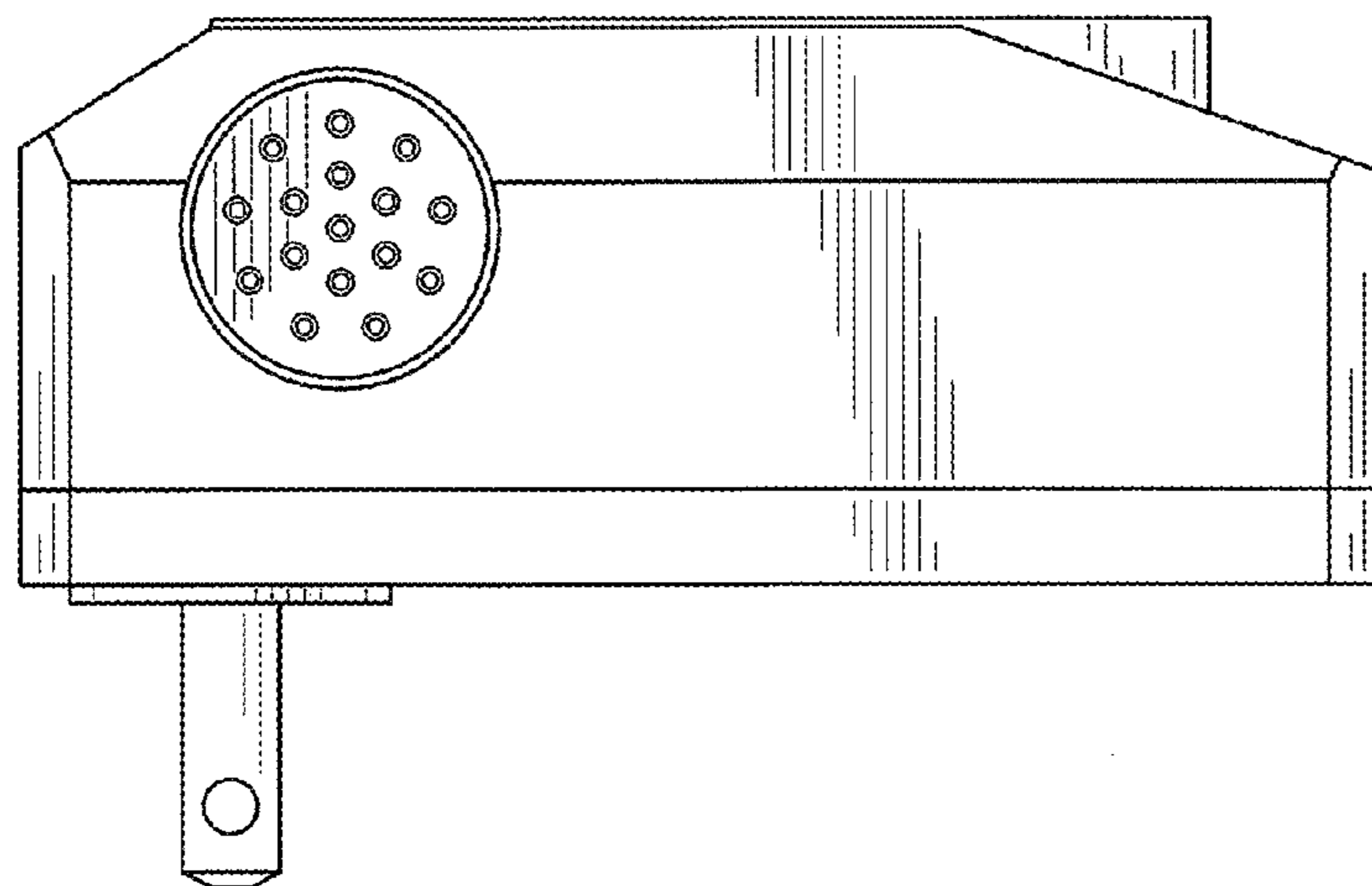
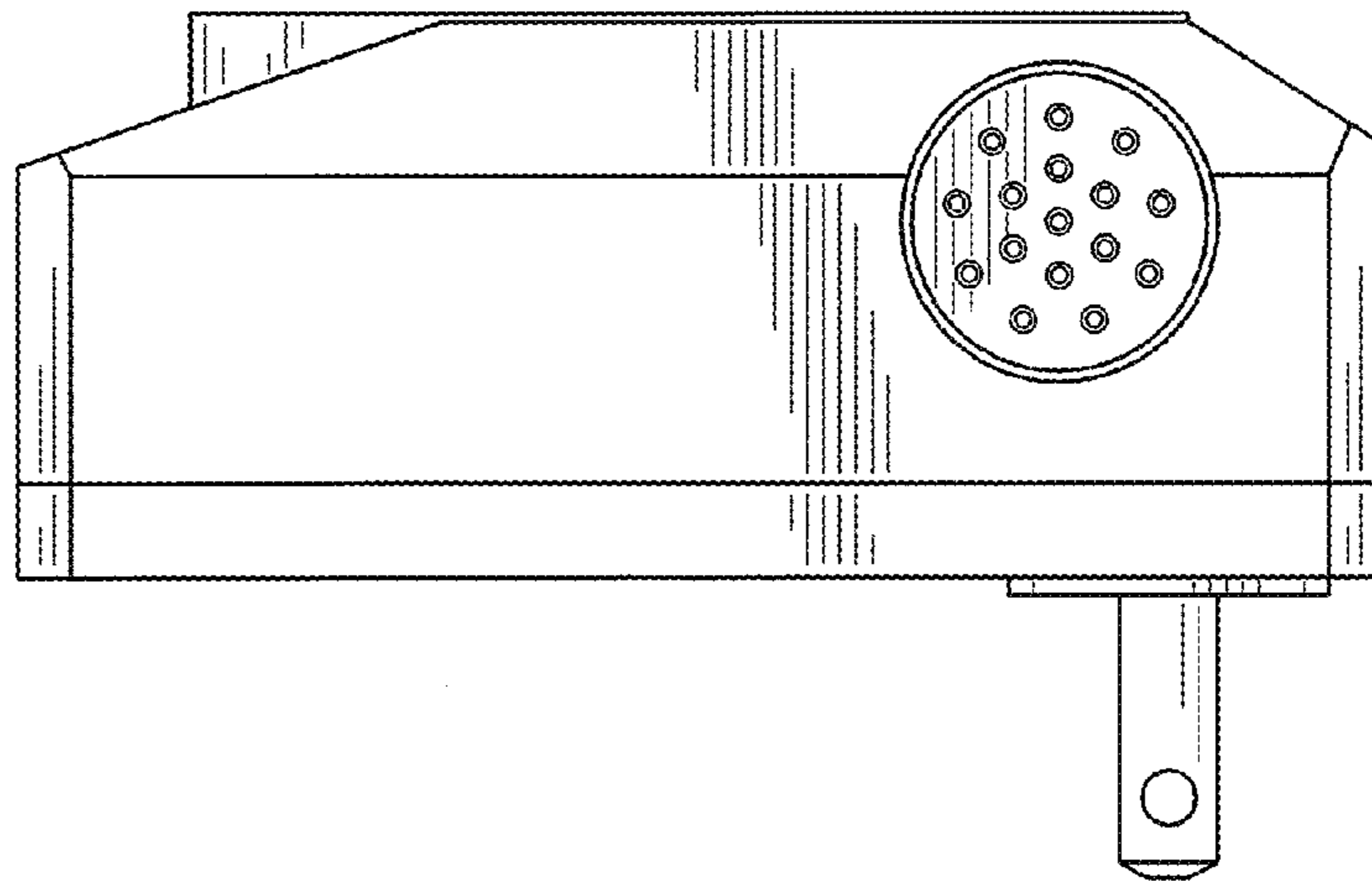


FIG. 7