



US00D744943S

(12) **United States Design Patent**
Bates

(10) **Patent No.:** **US D744,943 S**
(45) **Date of Patent:** **** Dec. 8, 2015**

- (54) **BATTERY CHARGER**
- (71) Applicant: **Lawrence M. Bates**, Deland, FL (US)
- (72) Inventor: **Lawrence M. Bates**, Deland, FL (US)
- (73) Assignee: **Deltona Transformer Corporation**,
Deland, FL (US)
- (**) Term: **14 Years**
- (21) Appl. No.: **29/494,716**
- (22) Filed: **Jun. 24, 2014**
- (51) **LOC (10) Cl.** **13-02**
- (52) **U.S. Cl.**
USPC **D13/107**
- (58) **Field of Classification Search**
USPC D13/107-110, 118-119, 182, 199;
D14/251, 253, 432, 434; 320/107-115
CPC Y02E 60/12; Y02T 90/14; Y02T 90/122;
Y02T 90/128; Y02T 90/163; H02J 7/025;
H02J 7/0042; H02J 7/0044; H02J 7/0045;
H02J 7/0003; H01F 38/14; H01R 13/6675;
H01M 2/1022; H01M 2/1055; H01M 10/44;
H01M 10/46; H01M 10/425; B60L 11/182
See application file for complete search history.

- D581,356 S * 11/2008 Ahlgren D13/107
- D617,267 S * 6/2010 Li D13/107
- D624,013 S * 9/2010 Lingott D13/107
- D624,014 S * 9/2010 Lingott D13/107
- D654,854 S * 2/2012 Inskeep D13/107
- D662,879 S * 7/2012 Steinbuchel, IV D13/107
- D664,501 S * 7/2012 Inskeep D13/107
- D694,180 S * 11/2013 Inskeep D13/107
- D696,188 S * 12/2013 Loeck D13/108
- D697,026 S * 1/2014 Dasbach D13/108

* cited by examiner

Primary Examiner — Rosemary K Tarcza
(74) *Attorney, Agent, or Firm* — Livingston Loeffler, P.A.;
Edward M. Livingston, Esq.; Bryan L. Loeffler, Esq.

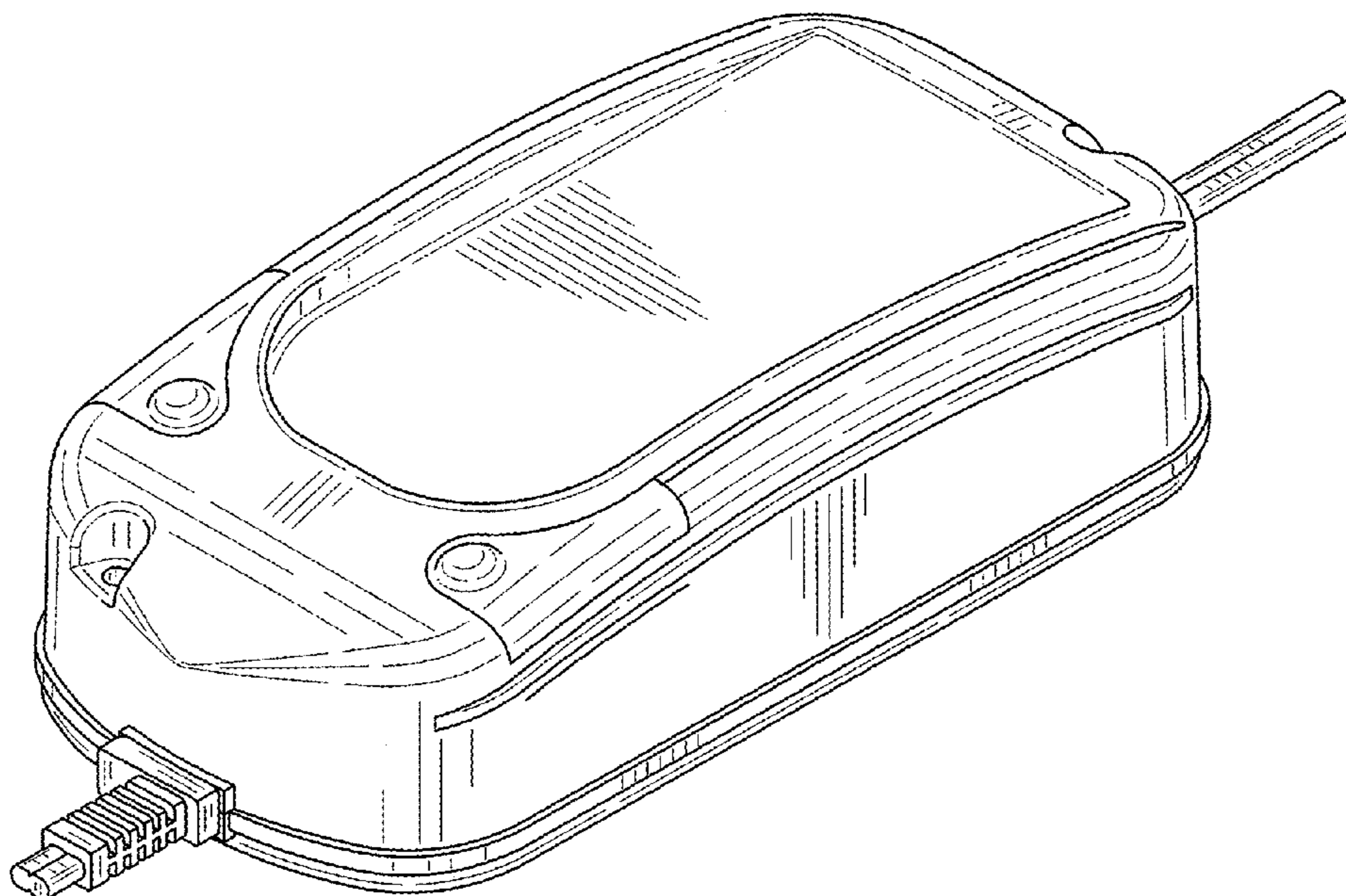
(57) **CLAIM**
The ornamental design for a battery charger, as shown and described.

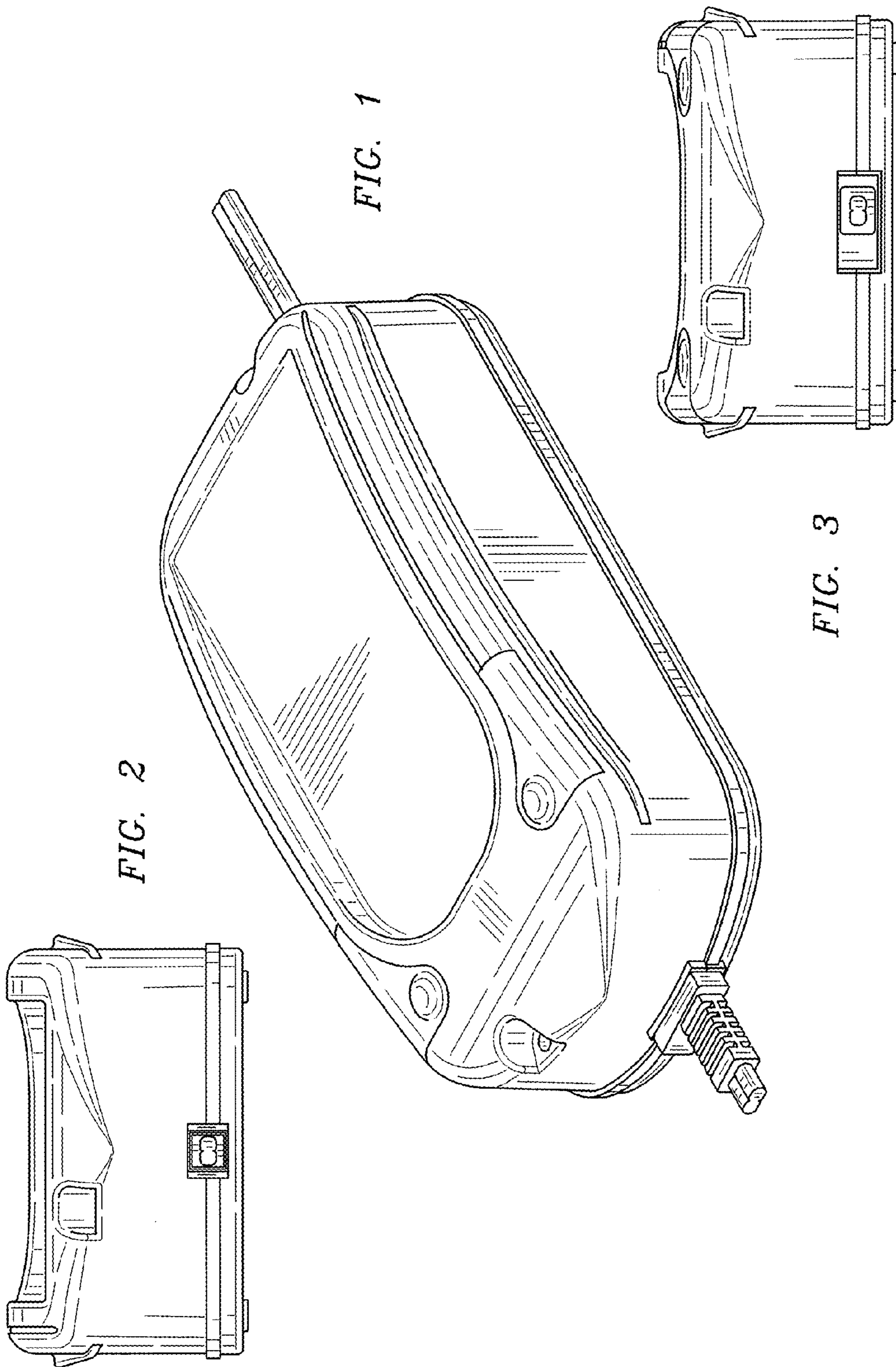
DESCRIPTION

FIG. 1 is a top perspective view of a battery charger of the present invention;
FIG. 2 is a front view of the battery charger of the present invention;
FIG. 3 is a rear view of the battery charger of the present invention;
FIG. 4 is a top view of the battery charger of the present invention;
FIG. 5 is a bottom view of the battery charger of the present invention;
FIG. 6 is a right side view of the battery charger of the present invention; and,
FIG. 7 is a left side view of the battery charger of the present invention.

- (56) **References Cited**
U.S. PATENT DOCUMENTS
5,019,767 A * 5/1991 Shirai H01M 2/105
224/902
D511,743 S * 11/2005 Hriscu D13/107
D575,225 S * 8/2008 Ahlgren D13/107

1 Claim, 3 Drawing Sheets





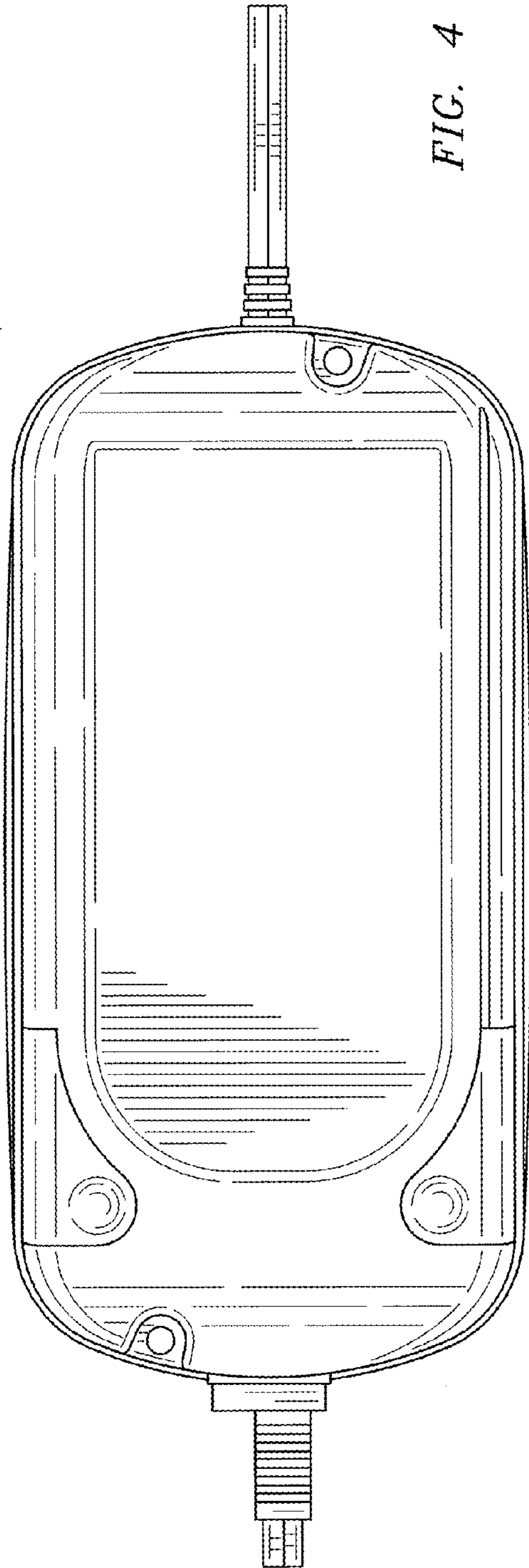


FIG. 4

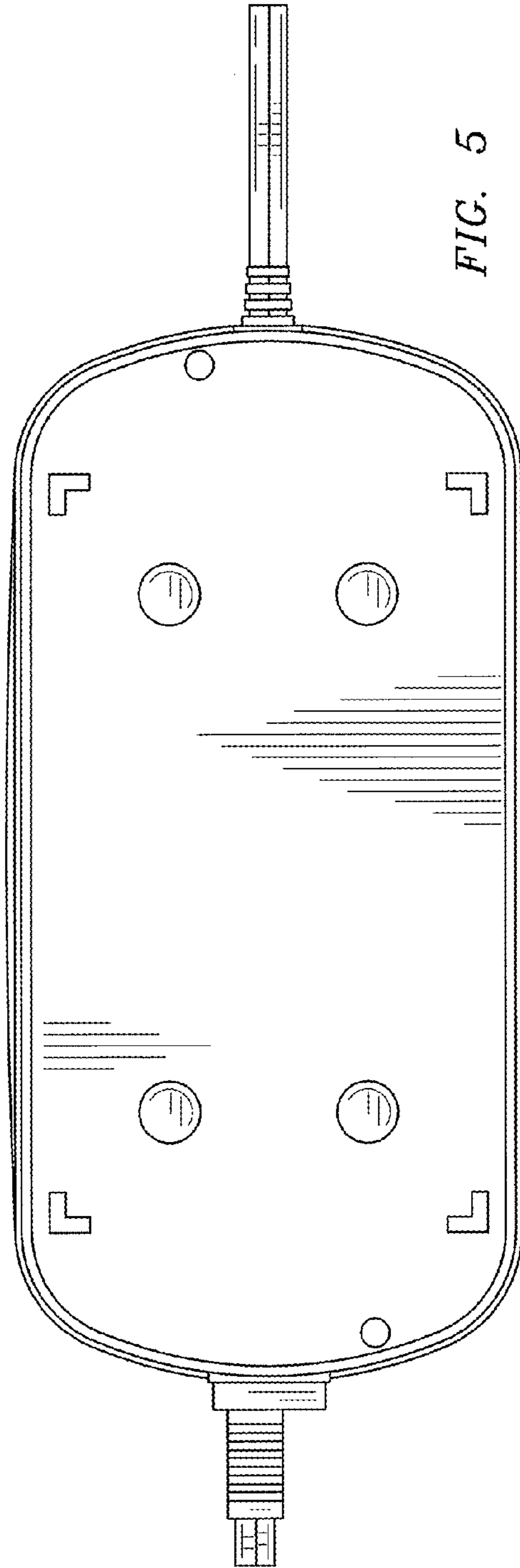


FIG. 5

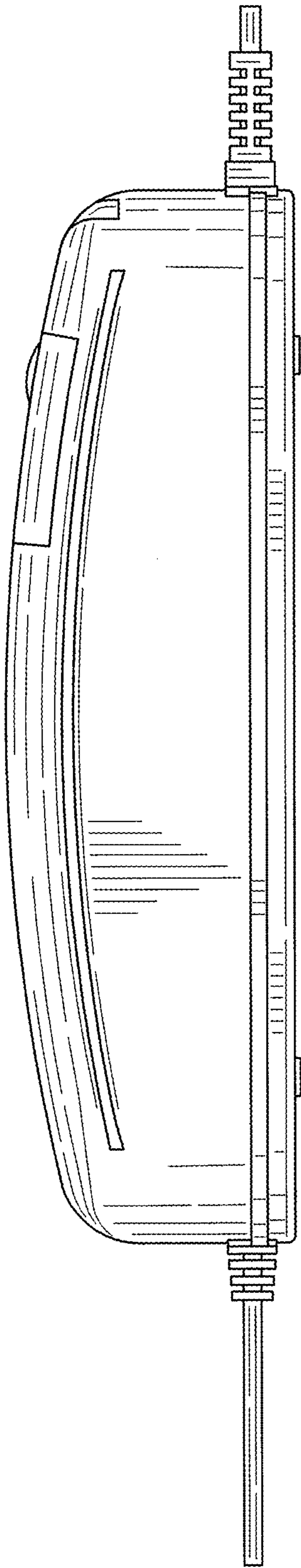


FIG. 6

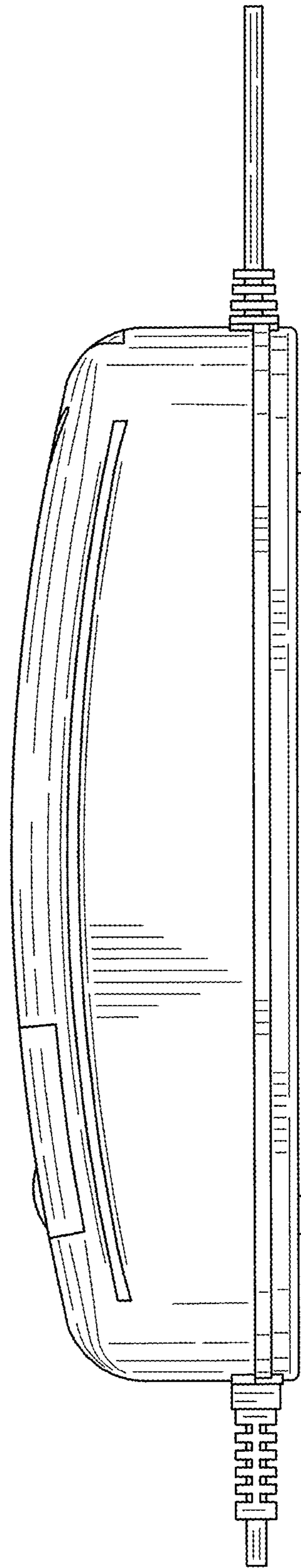


FIG. 7