



US00D744935S

(12) **United States Design Patent**
Ahn et al.

(10) **Patent No.:** **US D744,935 S**
(45) **Date of Patent:** **** Dec. 8, 2015**

(54) **AUTONOMOUS VEHICLE STORAGE BIN/TRAY**

(71) Applicant: **Google Inc.**, Mountain View, CA (US)

(72) Inventors: **YooJung Ahn**, Mountain View, CA (US); **Jared S. Gross**, Belmont, CA (US); **Jonas De Moe**, Mountain View, CA (US)

(73) Assignee: **Google Inc.**, Mountain View, CA (US)

(**) Term: **14 Years**

(21) Appl. No.: **29/491,870**

(22) Filed: **May 27, 2014**

(51) **LOC (10) Cl.** **12-16**

(52) **U.S. Cl.**
USPC **D12/425**

(58) **Field of Classification Search**
USPC D12/425, 400, 406, 415–420, 424, 426
See application file for complete search history.

(56) **References Cited**

U.S. PATENT DOCUMENTS

| | | | | |
|----------------|--------|---------------------|-------|---------|
| D426,512 S * | 6/2000 | Ciuba | | D12/425 |
| 6,386,412 B1 * | 5/2002 | Konechne | | 224/543 |
| 6,422,440 B1 * | 7/2002 | Stone | | 224/275 |
| D486,121 S * | 2/2004 | Bergh et al. | | D12/425 |
| D491,880 S * | 6/2004 | Guidry | | D12/425 |
| D539,036 S * | 3/2007 | Potts et al. | | D3/311 |
| D611,401 S * | 3/2010 | Saint-Jalmes et al. | | D12/425 |
| D630,159 S * | 1/2011 | Saint-Jalmes et al. | | D12/425 |
| D653,605 S * | 2/2012 | Stroud et al. | | D12/425 |
| D663,257 S * | 7/2012 | Stroud et al. | | D12/425 |

OTHER PUBLICATIONS

McFadden, Colin-Druce, "Autonomous car concept swaps steering wheel for gesture controls", <<http://www.dvice.com/2014-3-12/autonomous-car-concept-swaps-steering-wheel-gesture-controls>>, Mar. 12, 2014.

Ridden, Paul, "ATNMBL—The concept car with no steering wheel, brake pedal or driver's seat", <<http://www.gizmag.com/atnmb-automobile-concept-passenger-transport/158771>>, Jul. 29, 2010.

* cited by examiner

Primary Examiner — Katrina A Betton

(74) *Attorney, Agent, or Firm* — Lerner, David, Littenberg, Krumholz & Mentlik, LLP

(57) **CLAIM**

The ornamental design for an autonomous vehicle storage bin/tray, as shown and described.

DESCRIPTION

The present application is related to application Ser. No. 29/491,937, entitled Autonomous Vehicle Overall Interior, to application Ser. No. 29/491,867, entitled Autonomous Vehicle Console, to application Ser. No. 29/491,868, entitled Autonomous Vehicle Seat, to application Ser. No. 29/491,885, entitled Autonomous Vehicle Control Buttons, and to application Ser. No. 29/491,889, entitled Autonomous Vehicle Go/Pull Over Button, each of which is filed concurrently herewith, the entire disclosures of which are incorporated by reference herein.

FIG. 1 is a front perspective view of an autonomous vehicle storage bin/tray according to a first embodiment of our design;

FIG. 2 is a front elevation view thereof;

FIG. 3 is a back elevation view thereof;

FIG. 4 is a right side elevation view thereof;

FIG. 5 is a left side elevation view thereof;

FIG. 6 is a top elevation view thereof;

FIG. 7 is a bottom elevation view thereof;

FIG. 8 is a front perspective view of an autonomous vehicle storage bin/tray according to a second embodiment of our design;

FIG. 9 is a front elevation view thereof;

FIG. 10 is a top elevation view thereof;

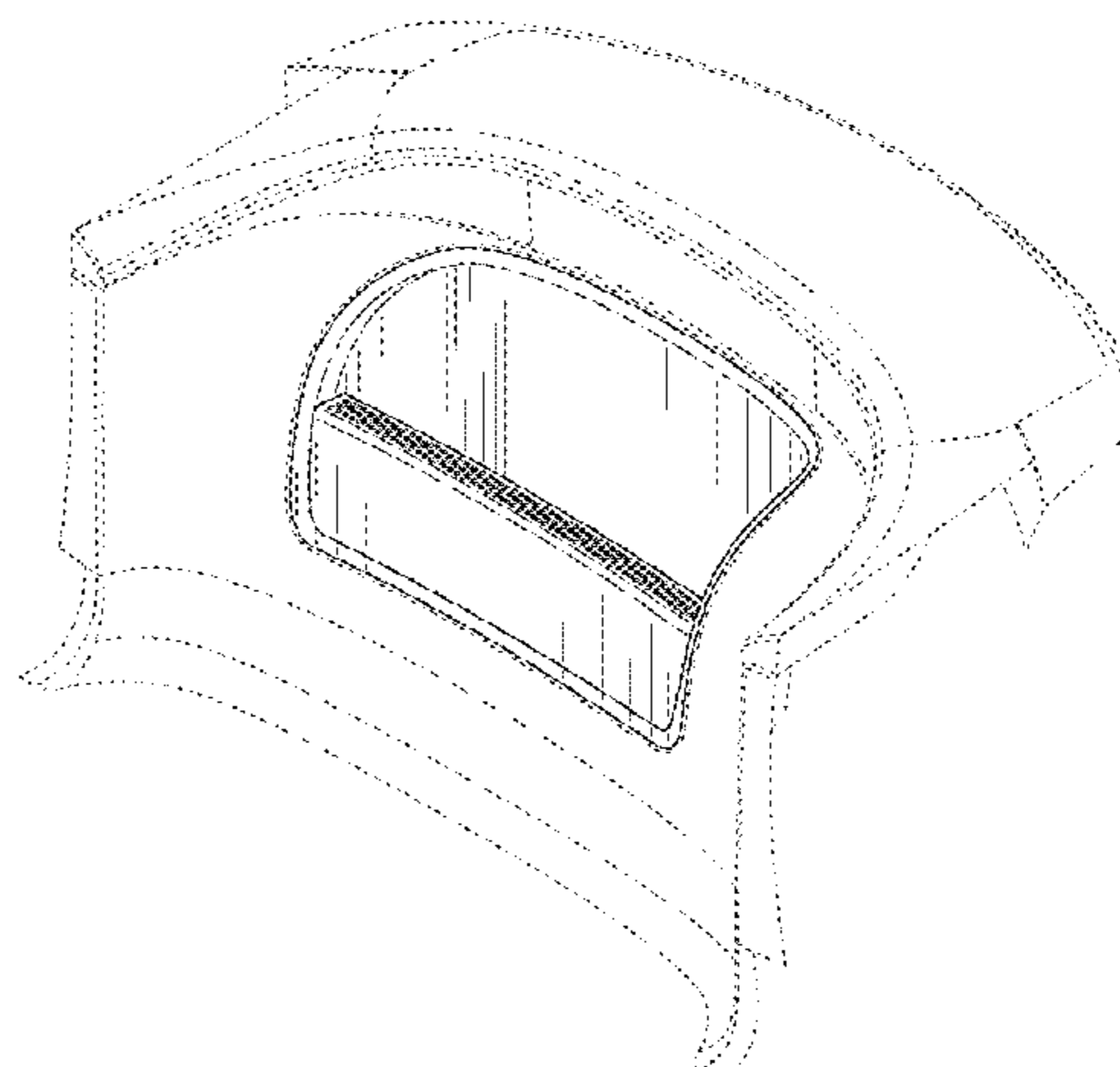
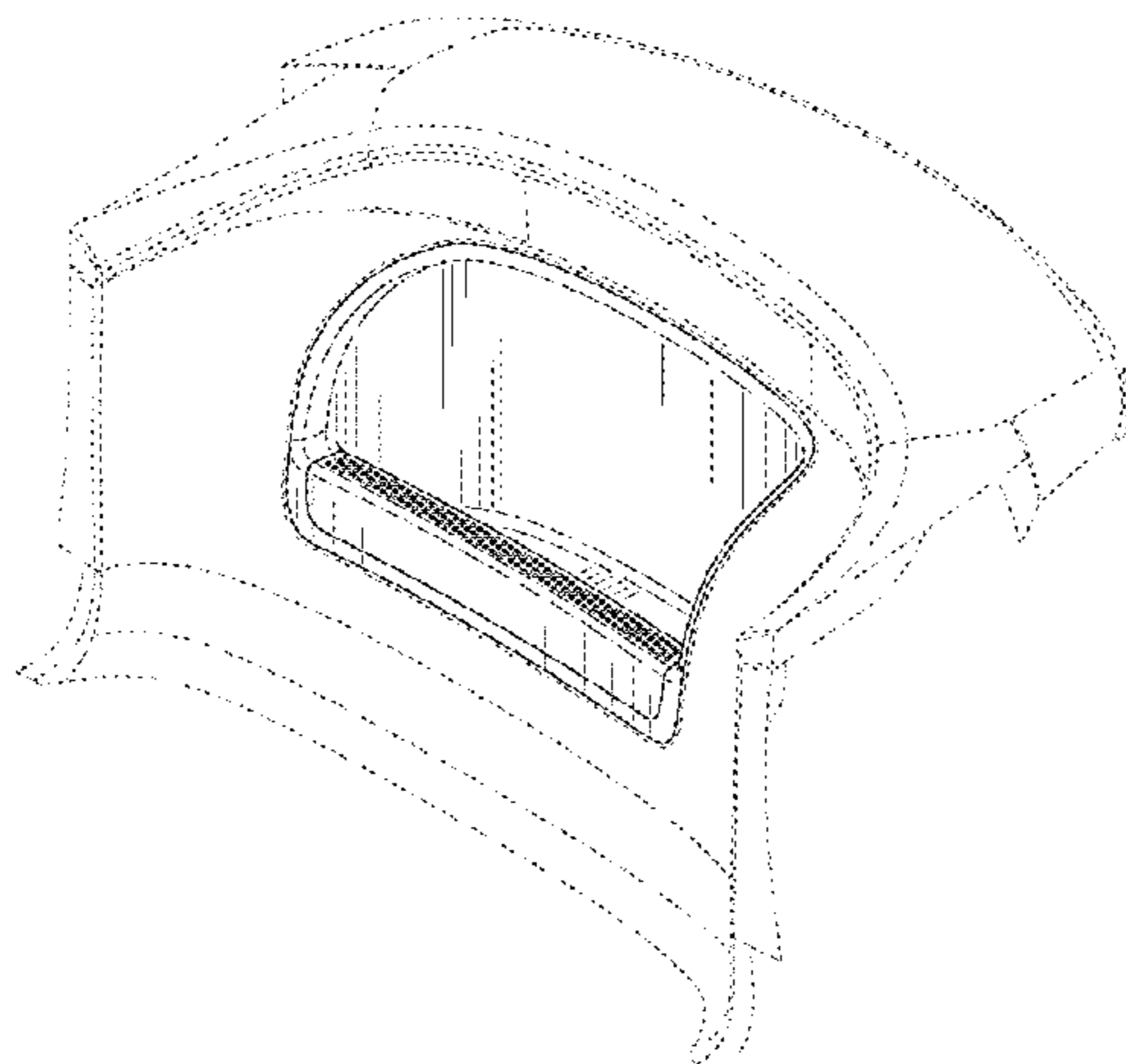
FIG. 11 is a front perspective view of an autonomous vehicle storage bin/tray according to a third embodiment of our design;

FIG. 12 is a front elevation view thereof; and,

FIG. 13 is a top elevation view thereof.

Broken lines are environmental only and form no part of the claimed design.

1 Claim, 8 Drawing Sheets



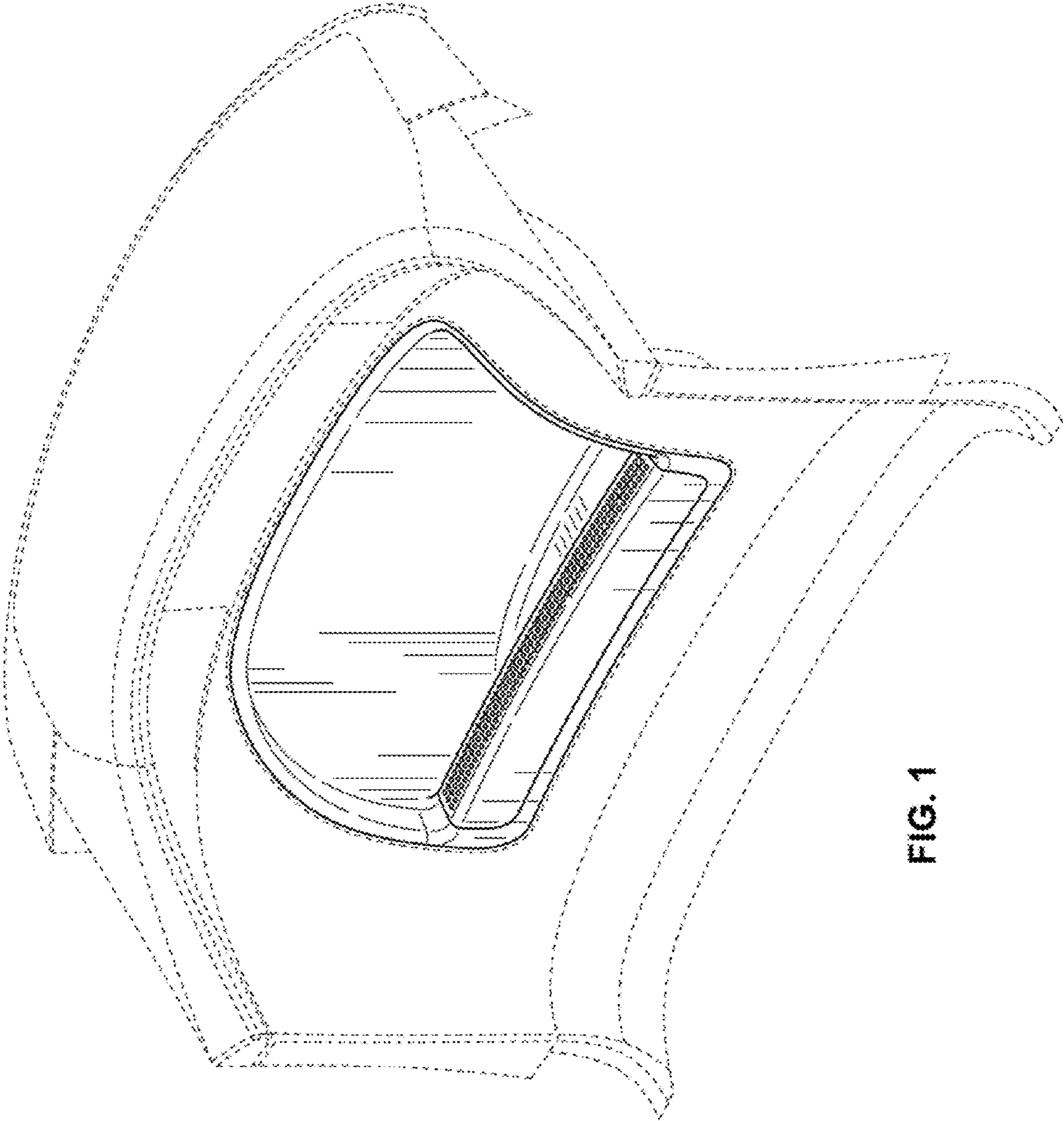


FIG. 1

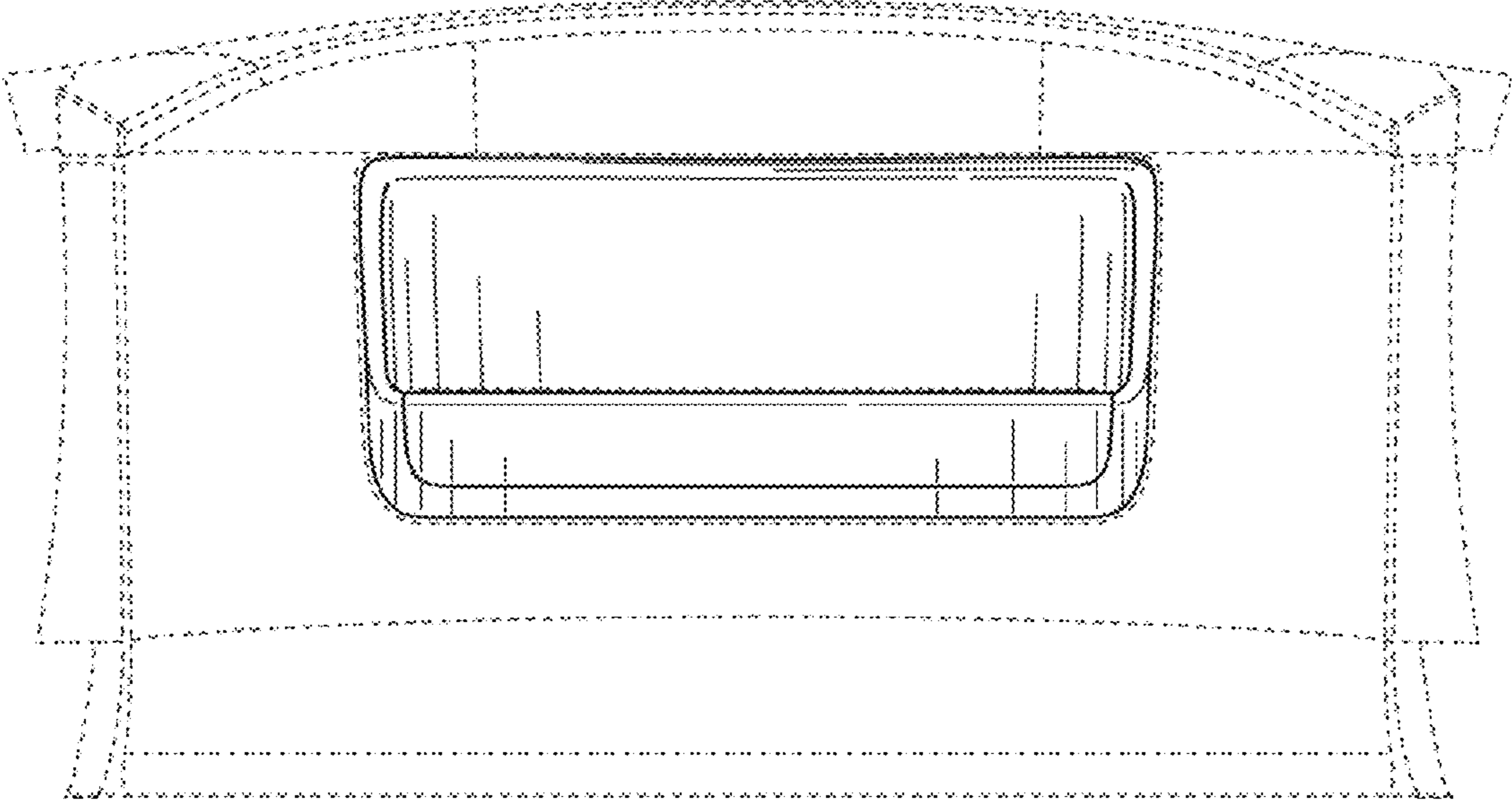


FIG. 2

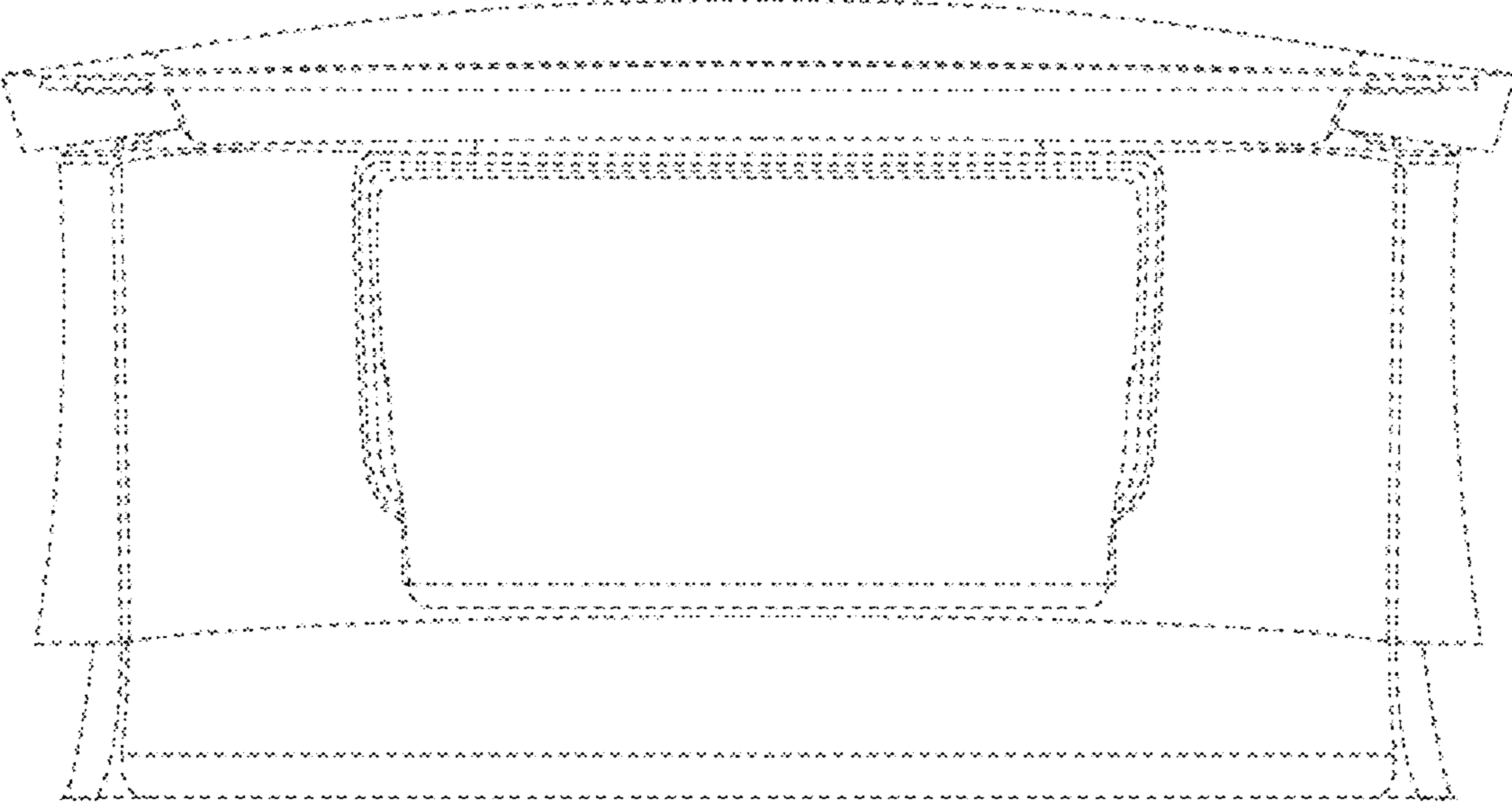


FIG. 3

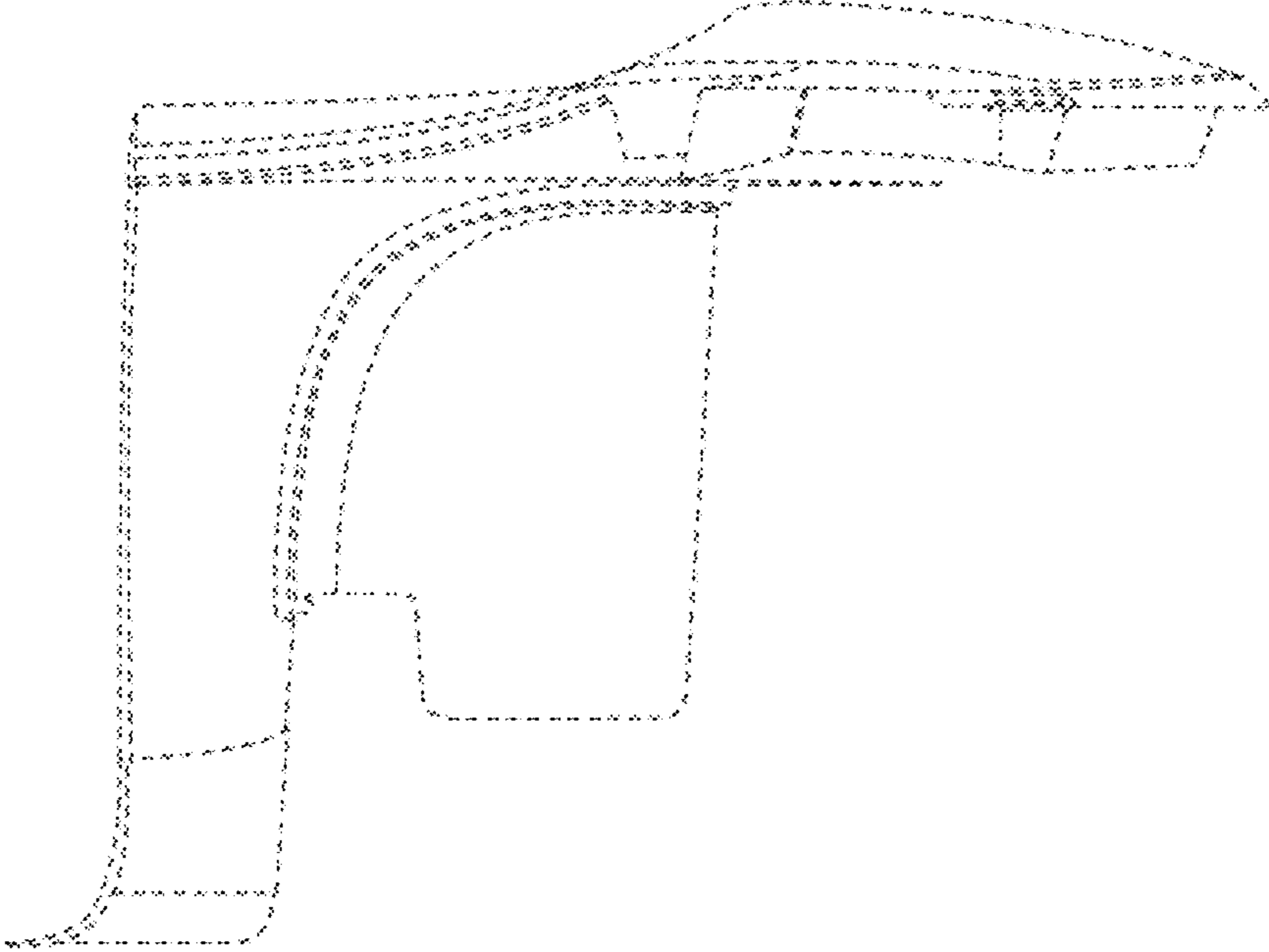


FIG. 4

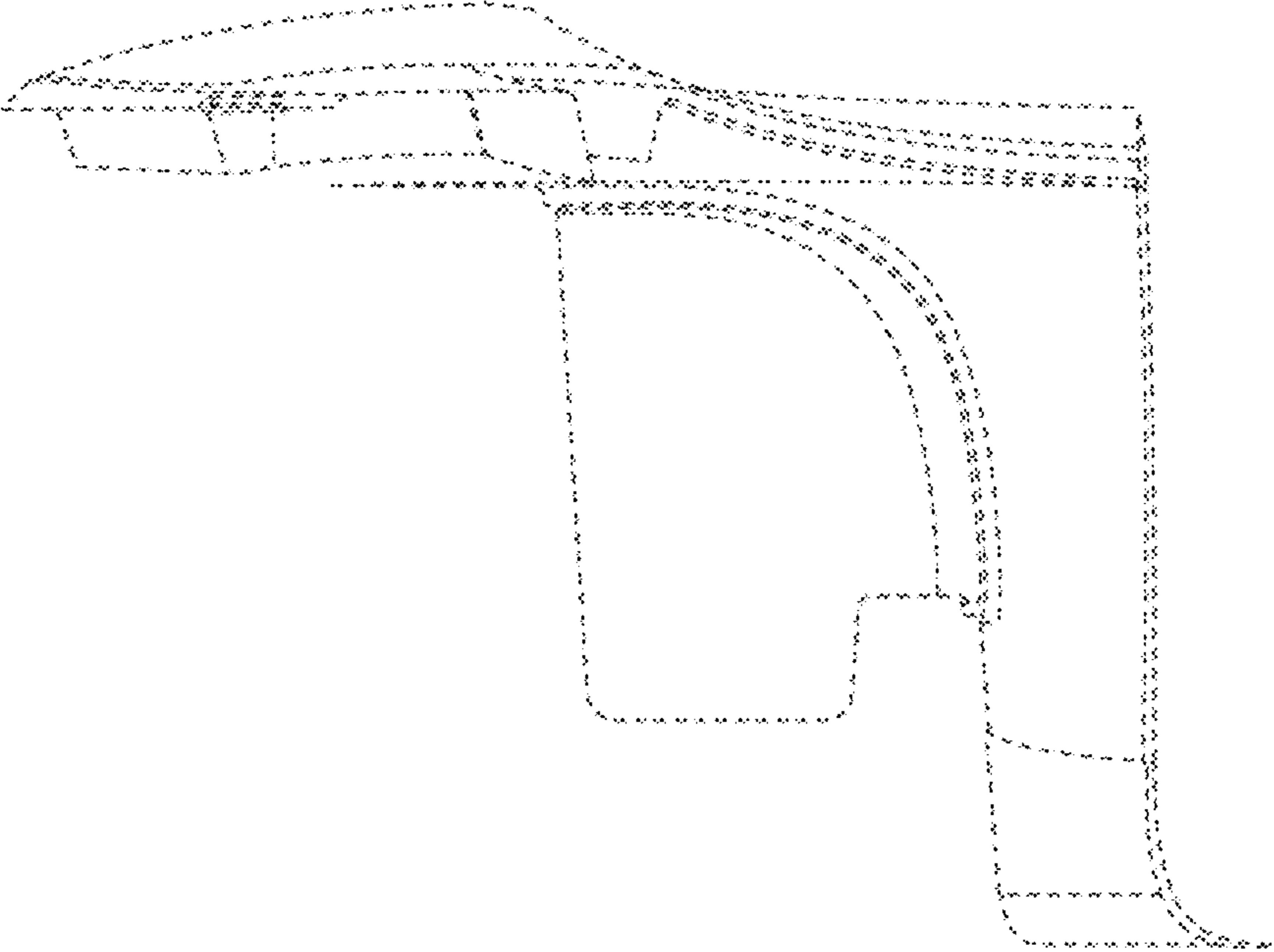


FIG. 5

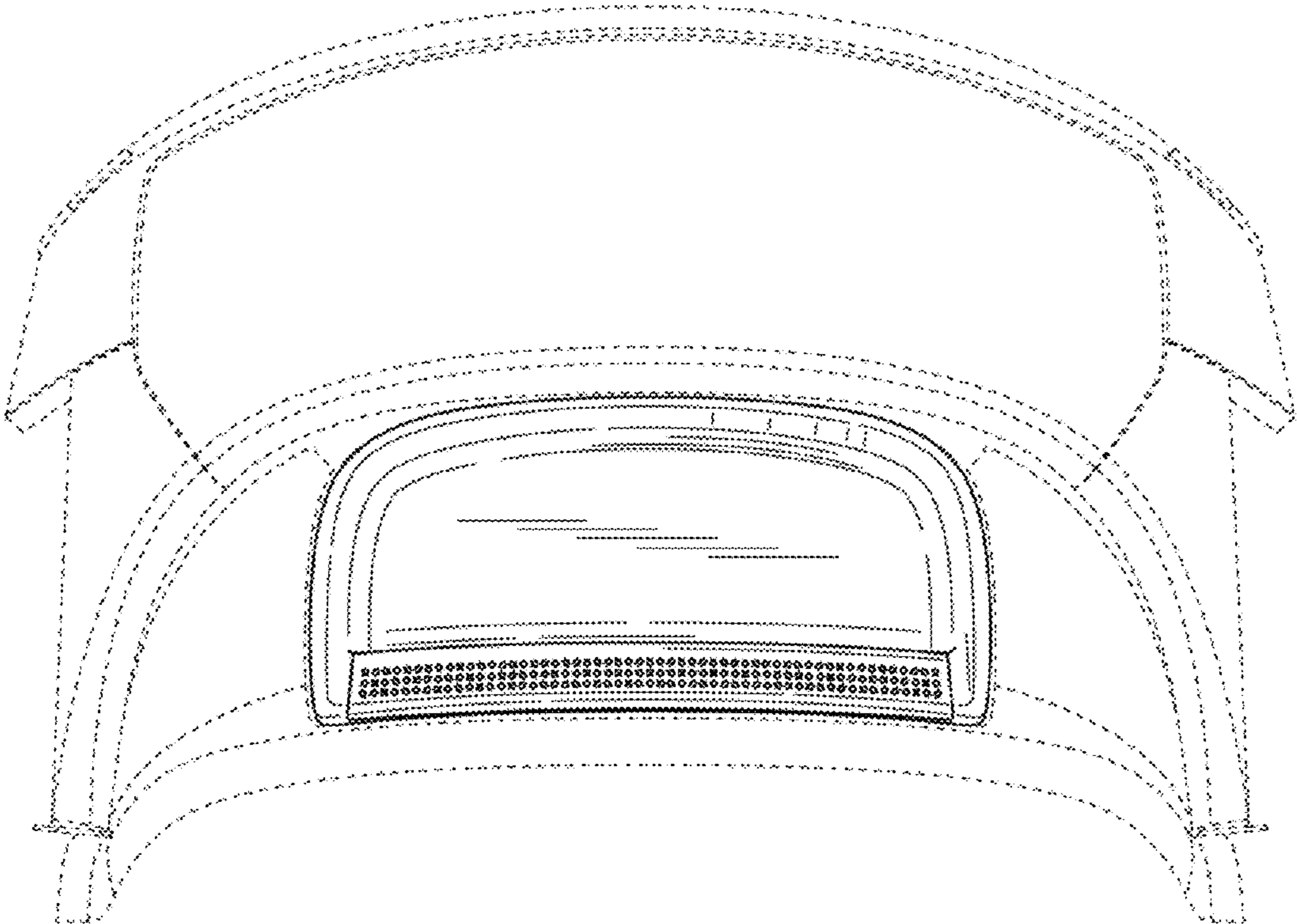


FIG. 6

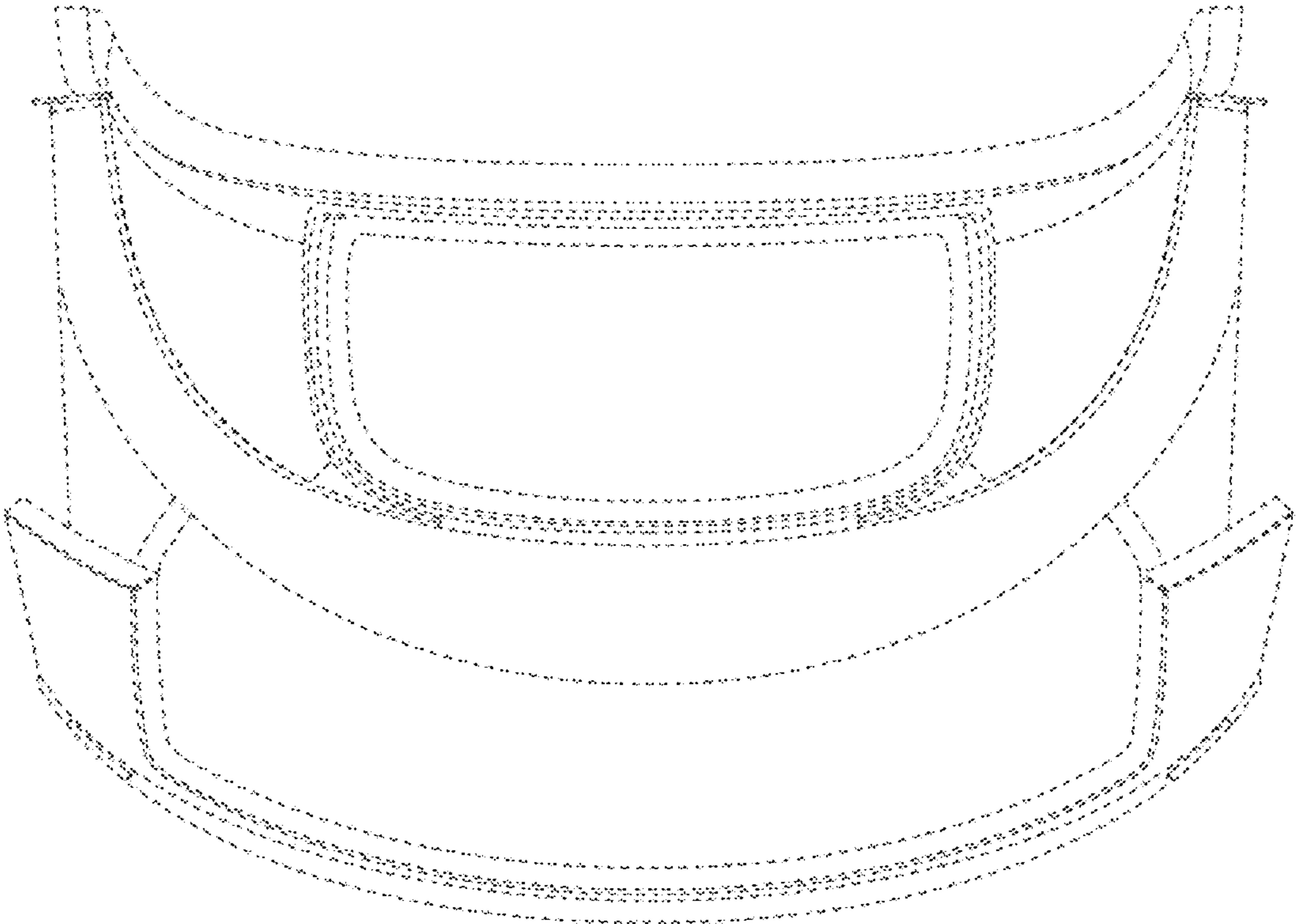


FIG. 7

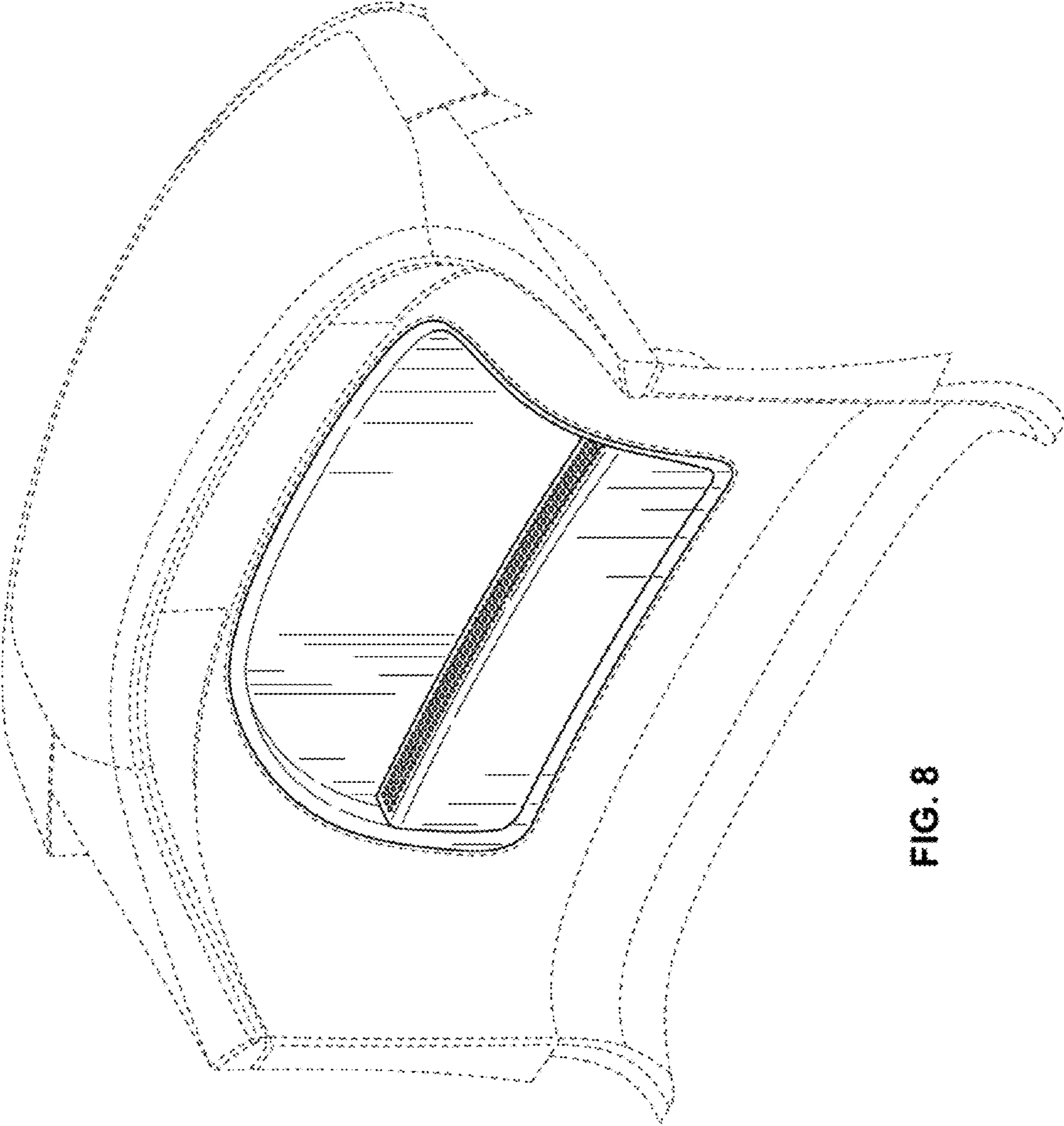


FIG. 8

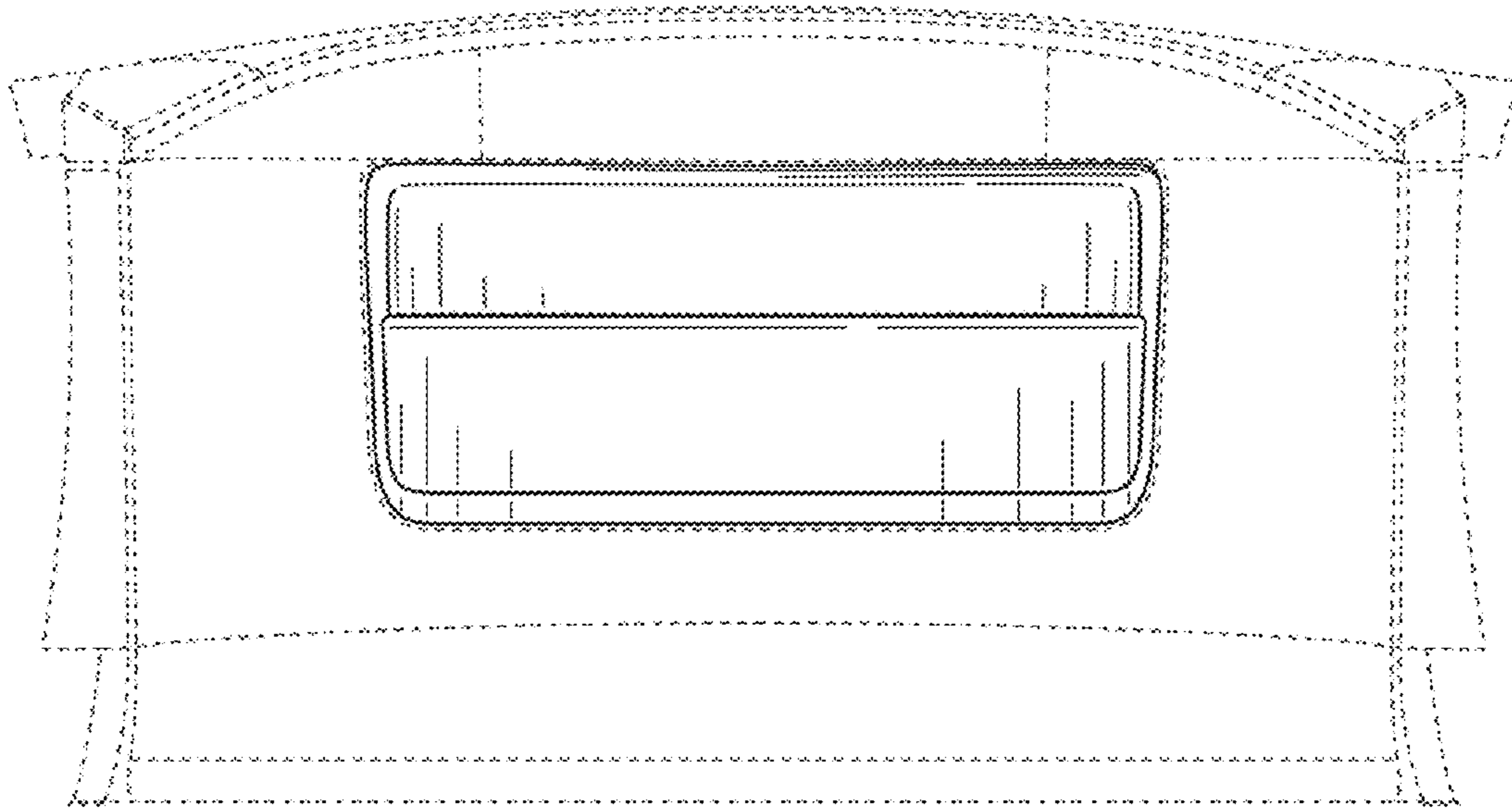


FIG. 9

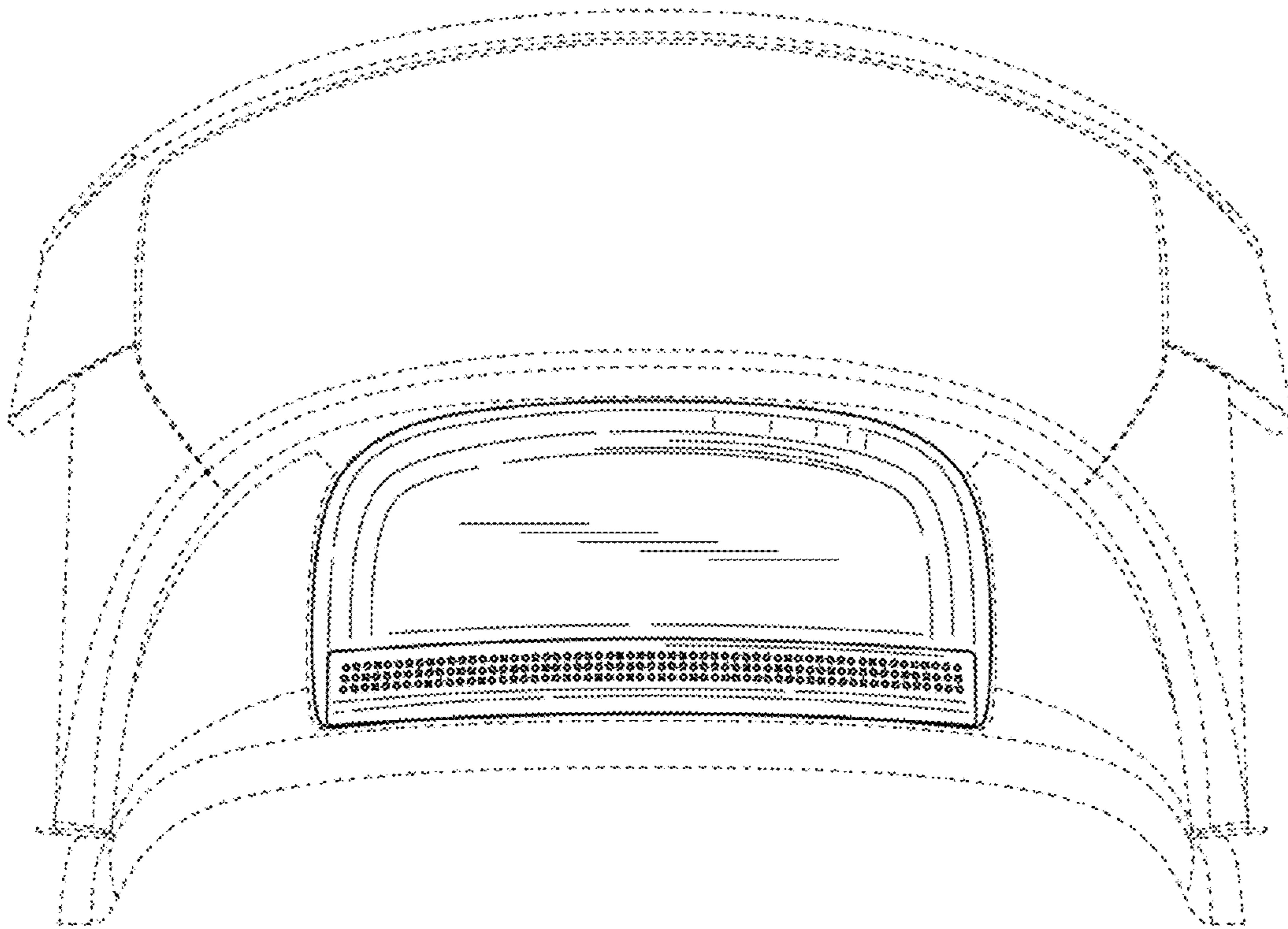


FIG. 10

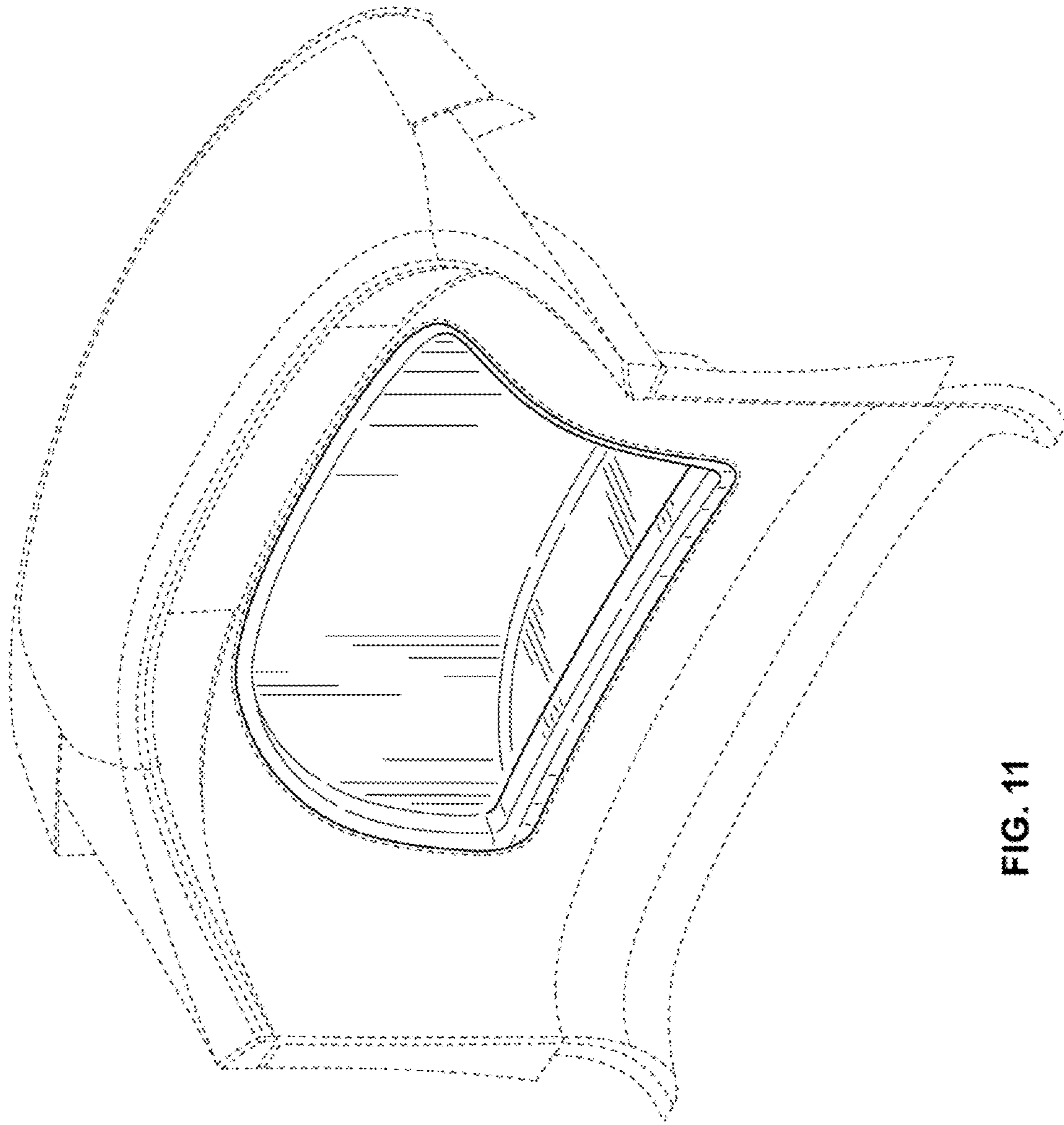


FIG. 11

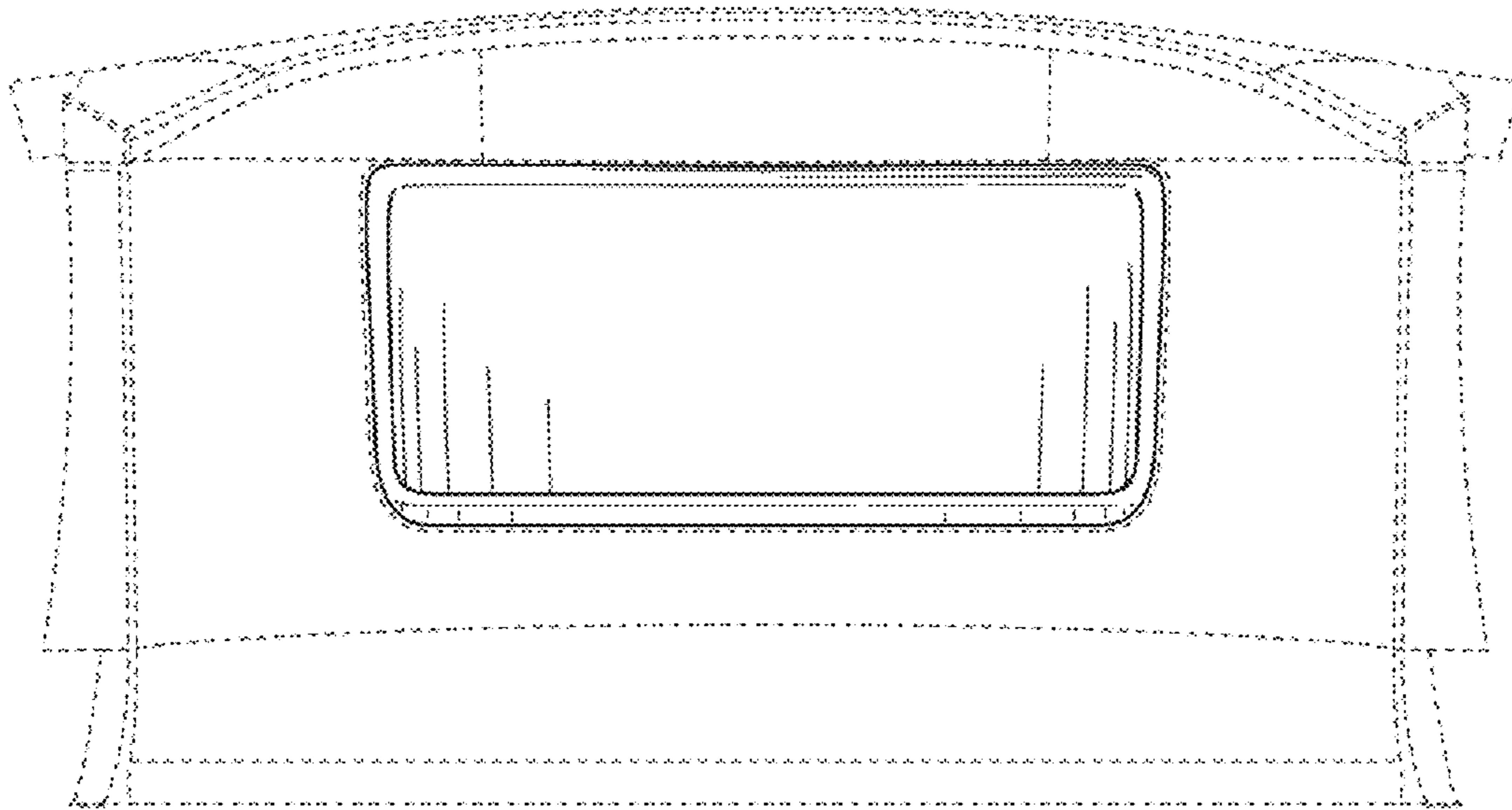


FIG. 12

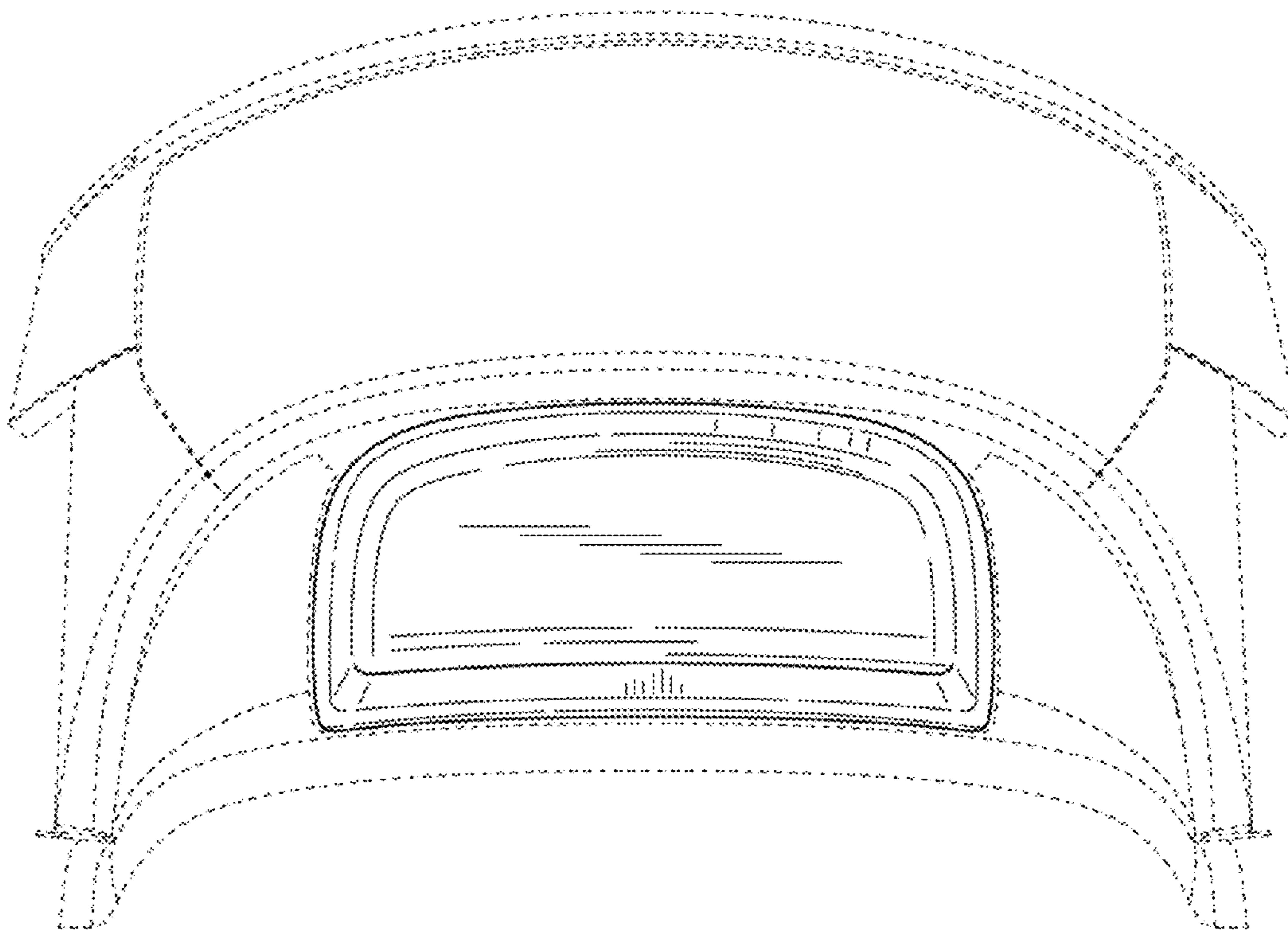


FIG. 13