

US00D744934S

(12) **United States Design Patent**
McAvey

(10) **Patent No.:** **US D744,934 S**

(45) **Date of Patent:** **** Dec. 8, 2015**

(54) **REFUELING SYSTEM FOR PICKUP TRUCKS**

(71) Applicant: **McAvey Ventures LLC**, Ridgewood, NJ (US)

(72) Inventor: **Michael McAvey**, Ridgewood, NJ (US)

(73) Assignee: **MCAVEY VENTURES LLC**, Ridgewood, NJ (US)

(**) Term: **14 Years**

(21) Appl. No.: **29/482,647**

(22) Filed: **Feb. 20, 2014**

(51) **LOC (10) Cl.** **12-11**

(52) **U.S. Cl.**
USPC **D12/218**

(58) **Field of Classification Search**
USPC D12/19, 100-106, 111-112, 129, 218;
D21/425, 435; D34/12, 16-19, 21-26;
280/63, 204, 205, 475, 482, 647;
296/10, 61, 100.01-100.08, 168, 180,
296/180.2

See application file for complete search history.

(56) **References Cited**

U.S. PATENT DOCUMENTS

D317,163 S * 5/1991 Kaneko D15/5
D386,240 S * 11/1997 Howseman, Jr. D23/202
6,886,861 B2 * 5/2005 Marsala et al. 280/834
D515,039 S * 2/2006 Ingalsbe et al. D13/162

D569,476 S * 5/2008 Munlin D23/211.1
D606,162 S * 12/2009 McAvey et al. D23/211.1
D694,167 S * 11/2013 Forsberg et al. D12/218
D695,202 S * 12/2013 Forsberg et al. D12/218
8,807,256 B2 * 8/2014 Gibb et al. 180/69.5
2010/0101659 A1 * 4/2010 Trattner et al. 137/87.03
2013/0139917 A1 * 6/2013 McAvey 137/596.12

* cited by examiner

Primary Examiner — Philip S Hyder

Assistant Examiner — Darlington Ly

(74) *Attorney, Agent, or Firm* — Brinks Gilson & Lione

(57) **CLAIM**

The ornamental design for a refueling system for pickup trucks, as shown and described.

DESCRIPTION

FIG. 1 is a perspective view of a refueling system for pickup trucks depicted in a bed of a pickup truck showing the design thereof;

FIG. 2 is a front view thereof;

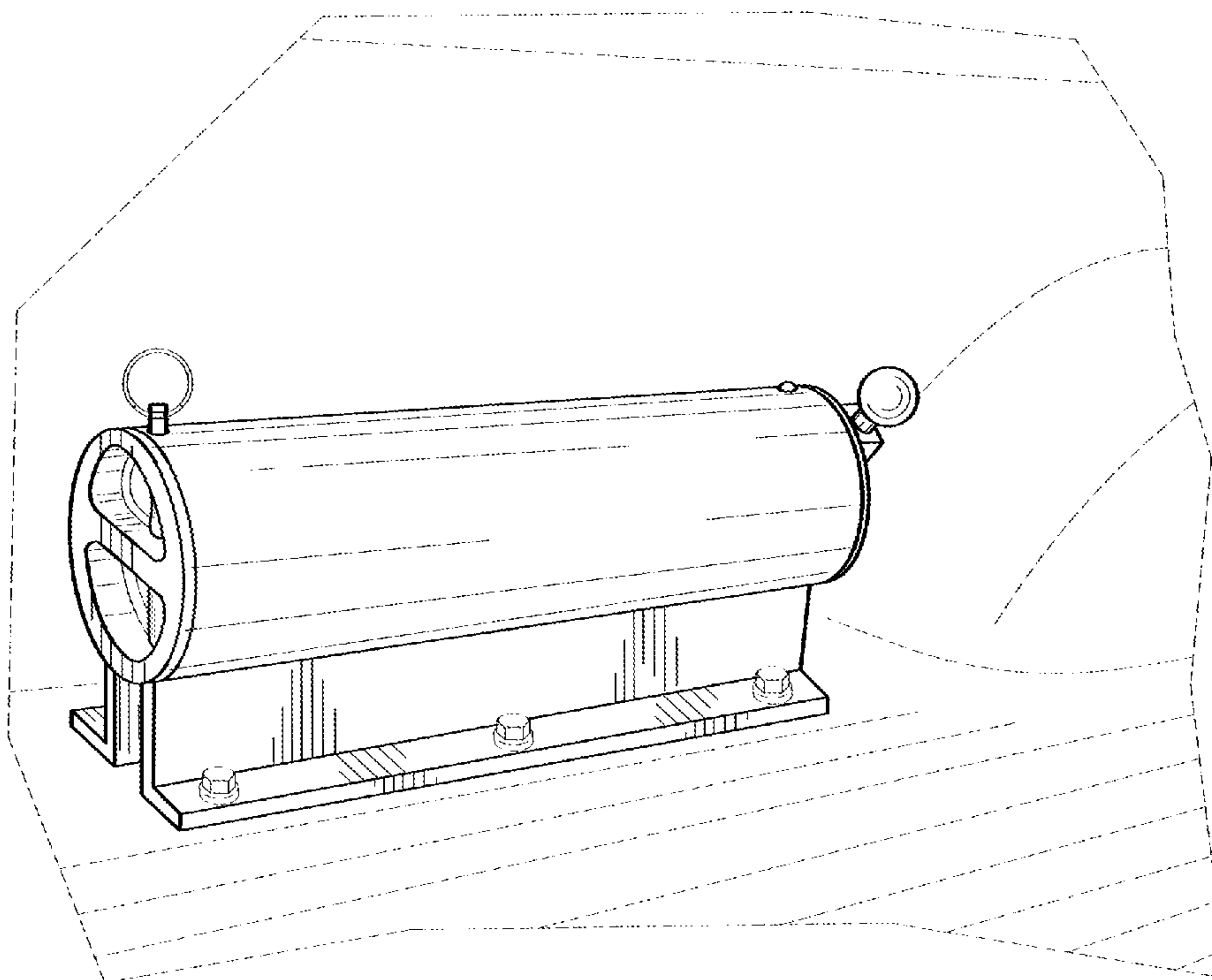
FIG. 3 is a side view thereof;

FIG. 4 is a top view thereof; and,

FIG. 5 is a rear view thereof.

The broken lines in the drawings showing anchor bolts, washers, and portions of a pickup truck are for the purpose of illustrating environmental structure and form no part of the claimed design.

1 Claim, 3 Drawing Sheets



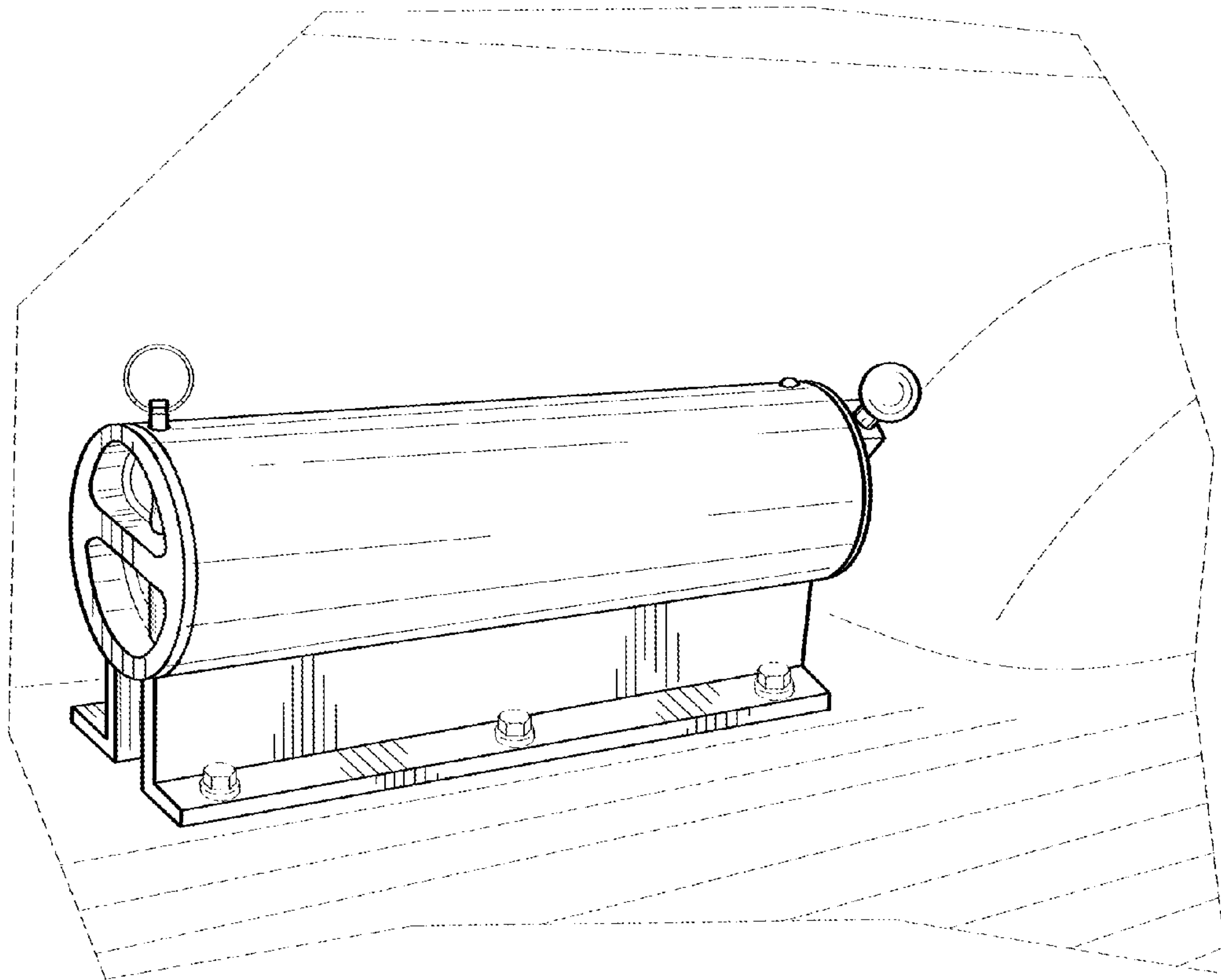


FIG - 1

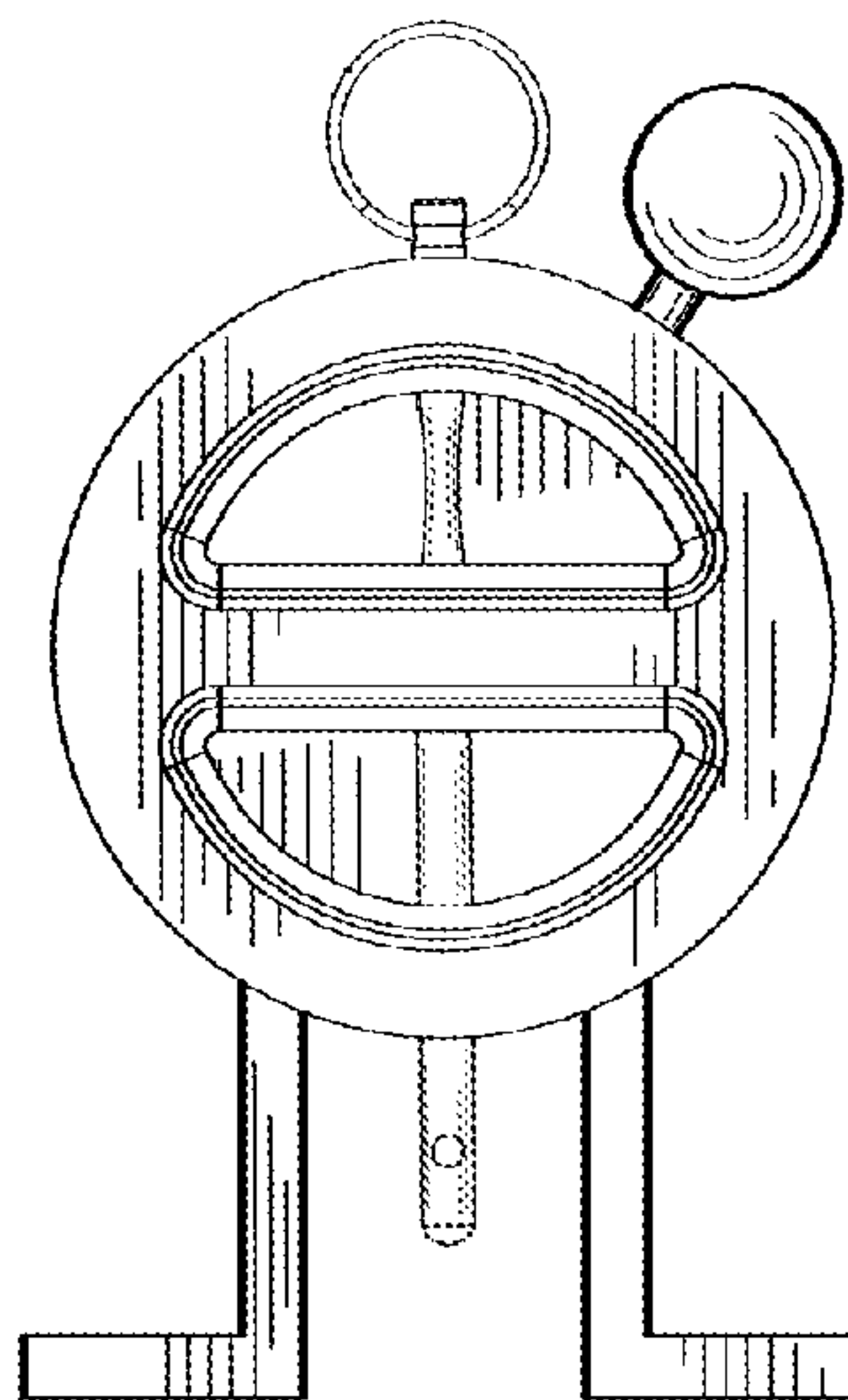


FIG - 2

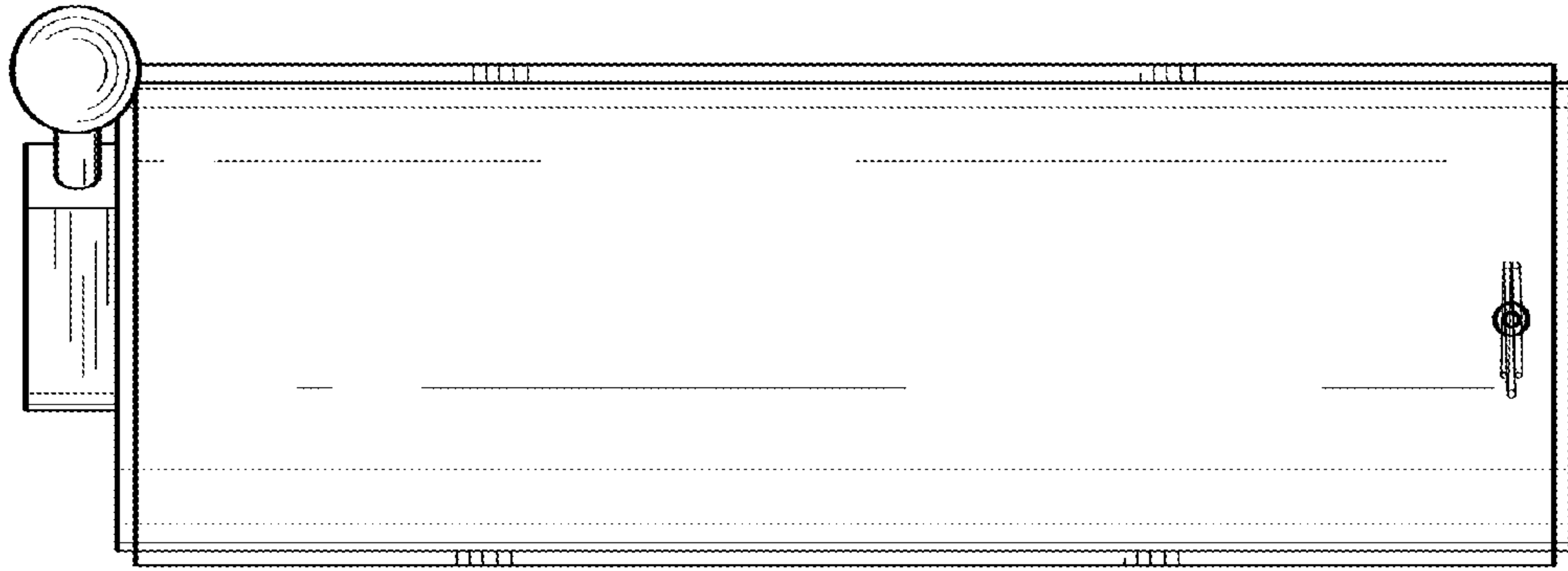


FIG - 4

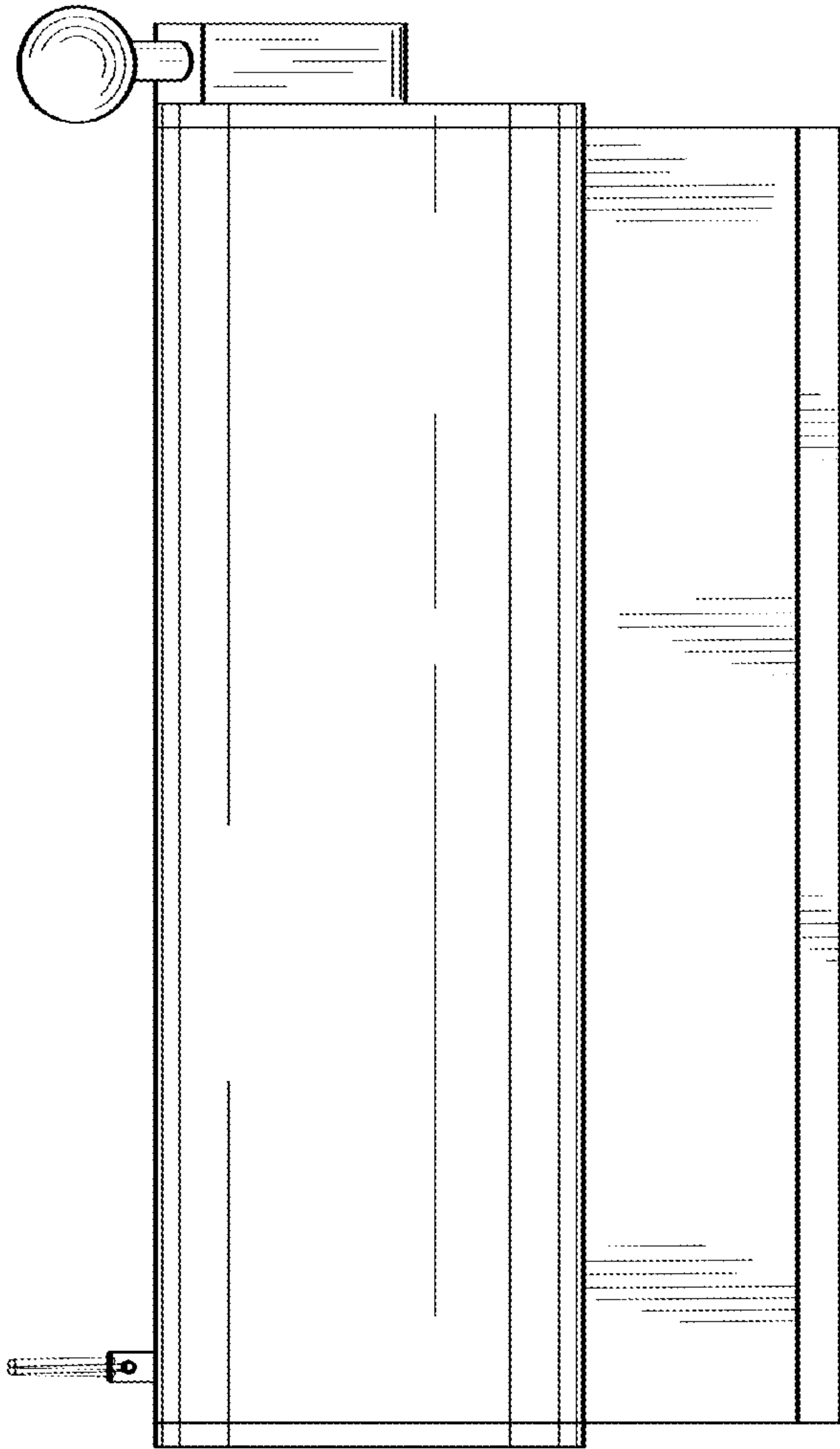


FIG - 3

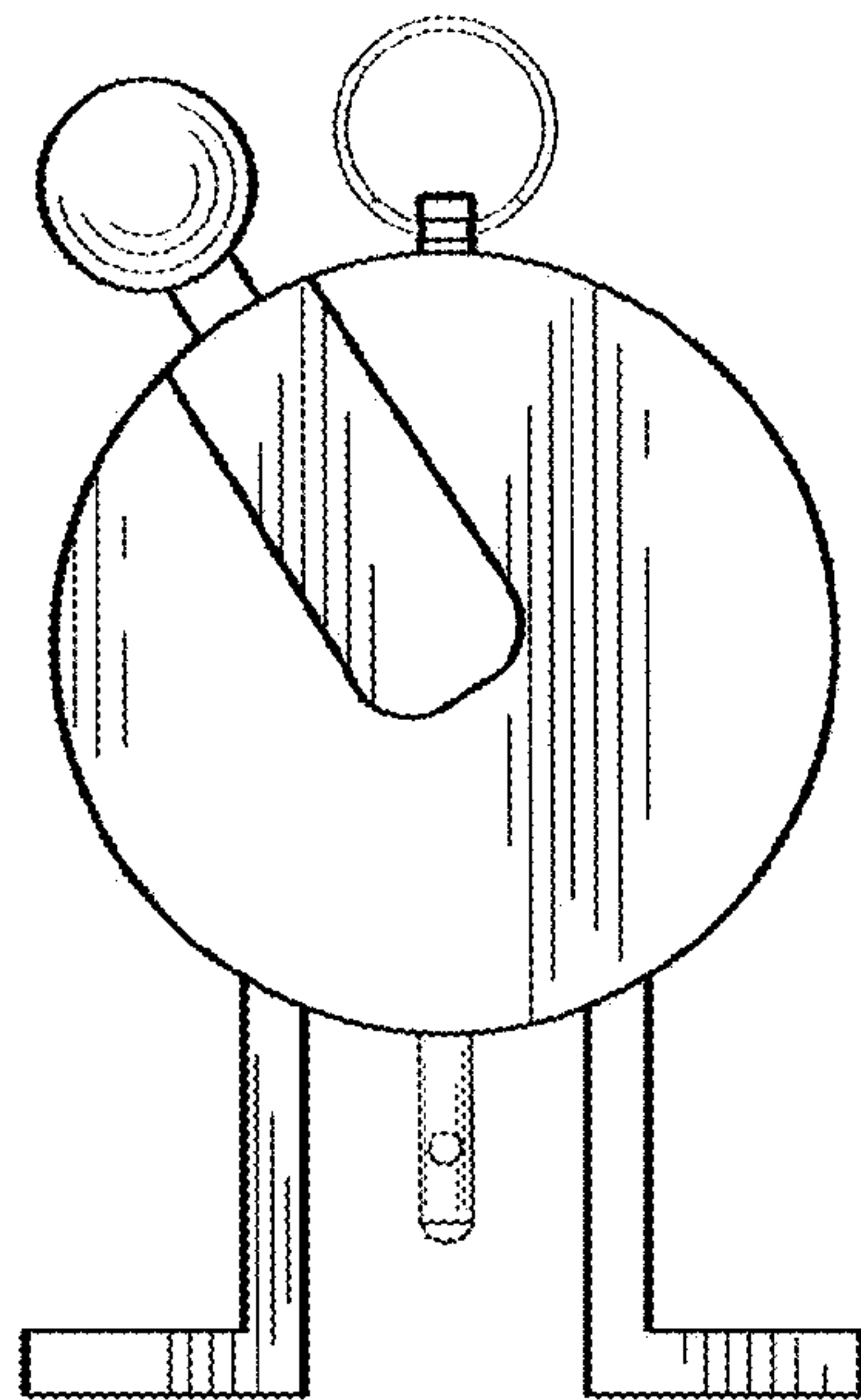


FIG - 5