



US00D744932S

(12) **United States Design Patent**  
**Kobayashi**

(10) **Patent No.:** **US D744,932 S**  
(45) **Date of Patent:** **\*\* Dec. 8, 2015**

(54) **REAR WHEEL FOR MOTORCYCLES**

(71) Applicant: **Kawasaki Jukogyo Kabushiki Kaisha,**  
Hyogo (JP)

(72) Inventor: **Mitsuru Kobayashi,** Kobe (JP)

(73) Assignee: **KAWASAKI JUKOGYO**  
**KABUSHIKI KAISHA,** Kobe-Shi,  
Hyogo (JP)

(\*\*) Term: **14 Years**

(21) Appl. No.: **29/521,254**

(22) Filed: **Mar. 20, 2015**

(30) **Foreign Application Priority Data**

Sep. 25, 2014 (JP) ..... 2014-021179

(51) **LOC (10) Cl.** ..... **12-16**

(52) **U.S. Cl.**  
USPC ..... **D12/211**

(58) **Field of Classification Search**

USPC ..... D12/204-213  
CPC ..... B60B 7/00; B60B 7/02; B60B 7/04;  
B60B 7/01; B60B 7/06; B60B 3/02; B60B  
3/04; B60B 3/06; B60B 3/10; B60B 1/00;  
B60B 1/08; B60B 1/10; B60B 1/12  
See application file for complete search history.

(56) **References Cited**

**U.S. PATENT DOCUMENTS**

D484,085 S \* 12/2003 Tirado ..... D12/211  
D517,969 S \* 3/2006 Brouillette et al. .... D12/209  
D579,397 S \* 10/2008 Osborne ..... D12/211  
D638,771 S \* 5/2011 Chung ..... D12/211

D644,587 S \* 9/2011 Gotschke ..... D12/209  
D683,684 S \* 6/2013 Campbell et al. .... D12/209  
D706,198 S \* 6/2014 Chung ..... D12/211  
D708,112 S \* 7/2014 Mays et al. .... D12/211  
D733,027 S \* 6/2015 Chung ..... D12/211  
D734,705 S \* 7/2015 Chung ..... D12/211

**FOREIGN PATENT DOCUMENTS**

CN 301328101 S 8/2010

**OTHER PUBLICATIONS**

Japanese Application No. 2014-021179 Notification of Reasons for Rejection and Order dated May 12, 2015, 3 pages.  
Japanese Patent Application No. 2014-021179 Decision of Registration dated Jun. 23, 2015, 2 pages.

\* cited by examiner

*Primary Examiner* — Stacia Cadmus

(57) **CLAIM**

The ornamental design for a rear wheel for motorcycles, as shown and described.

**DESCRIPTION**

FIG. 1 is a front elevational view of a rear wheel for motorcycles showing my new design;  
FIG. 2 is a rear elevational view thereof;  
FIG. 3 is a left side elevational view thereof;  
FIG. 4 is a right side elevational view thereof;  
FIG. 5 is a top plan view thereof;  
FIG. 6 is a bottom plan view thereof;  
FIG. 7 is a front right perspective view thereof; and,  
FIG. 8 is a rear left perspective view thereof.  
The dark and light greyed surfaces do not represent a color nor a pattern but are intended to represent shading on the surface of the drawings.

**1 Claim, 8 Drawing Sheets**

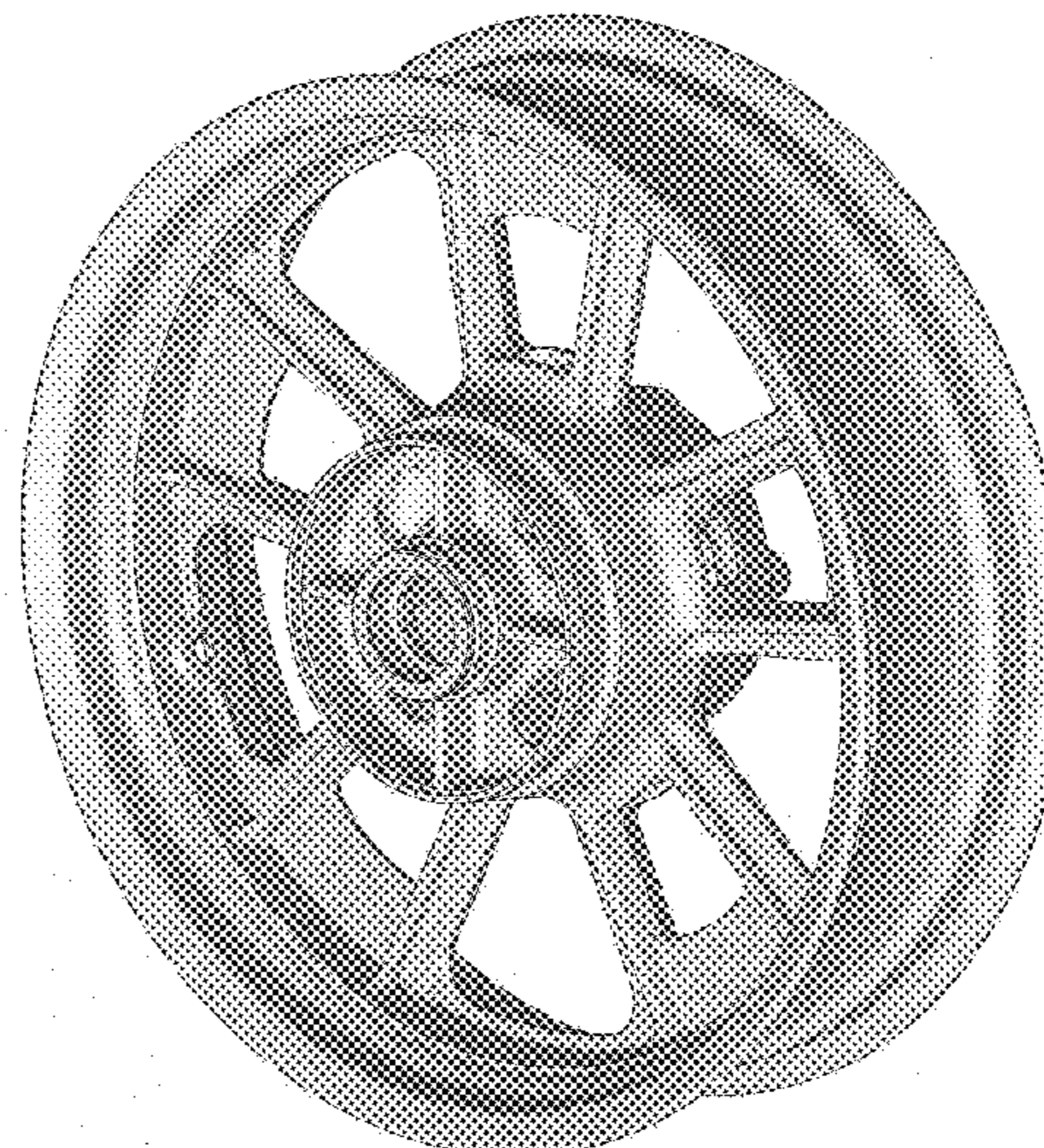
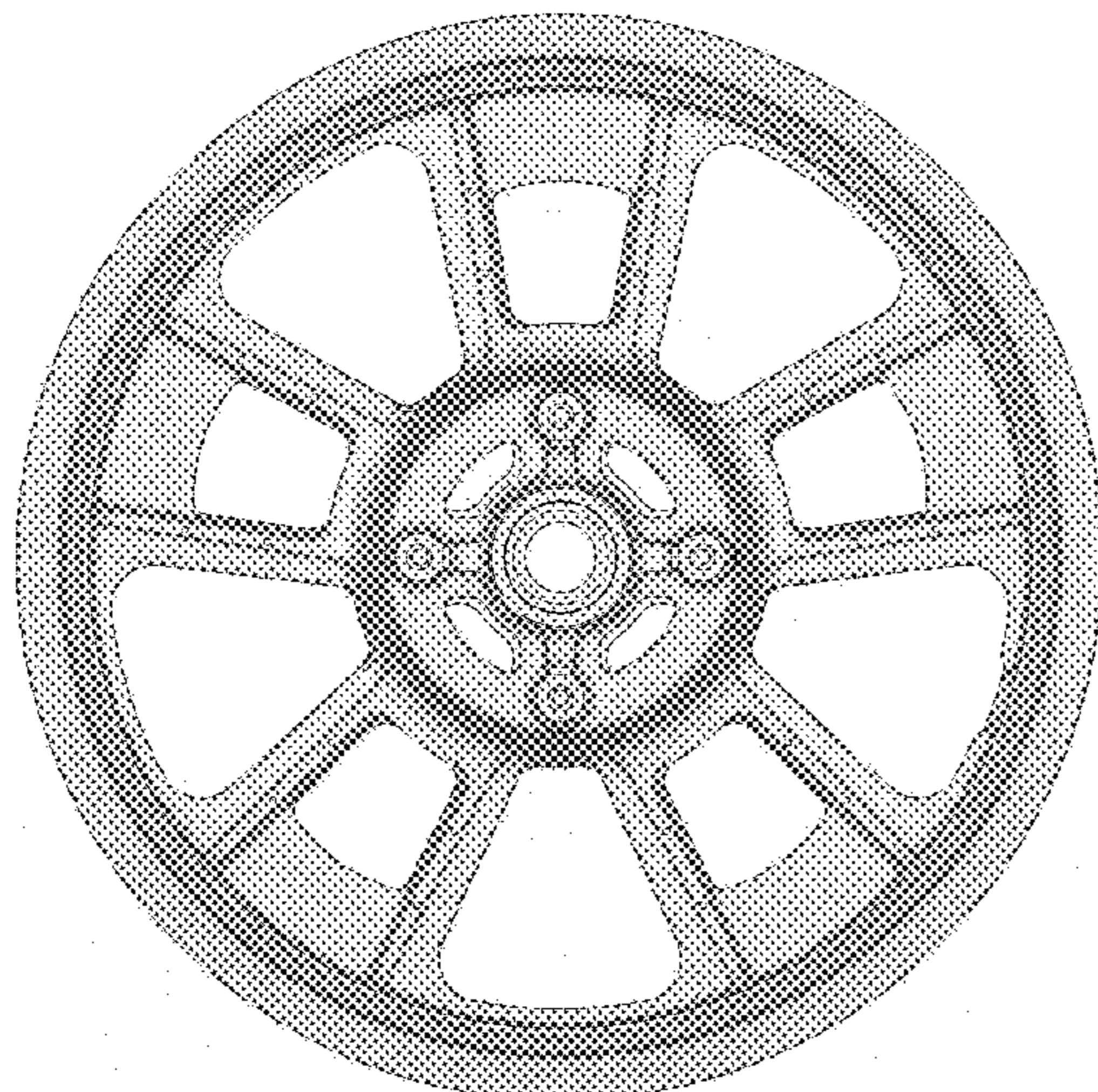


Fig. 1

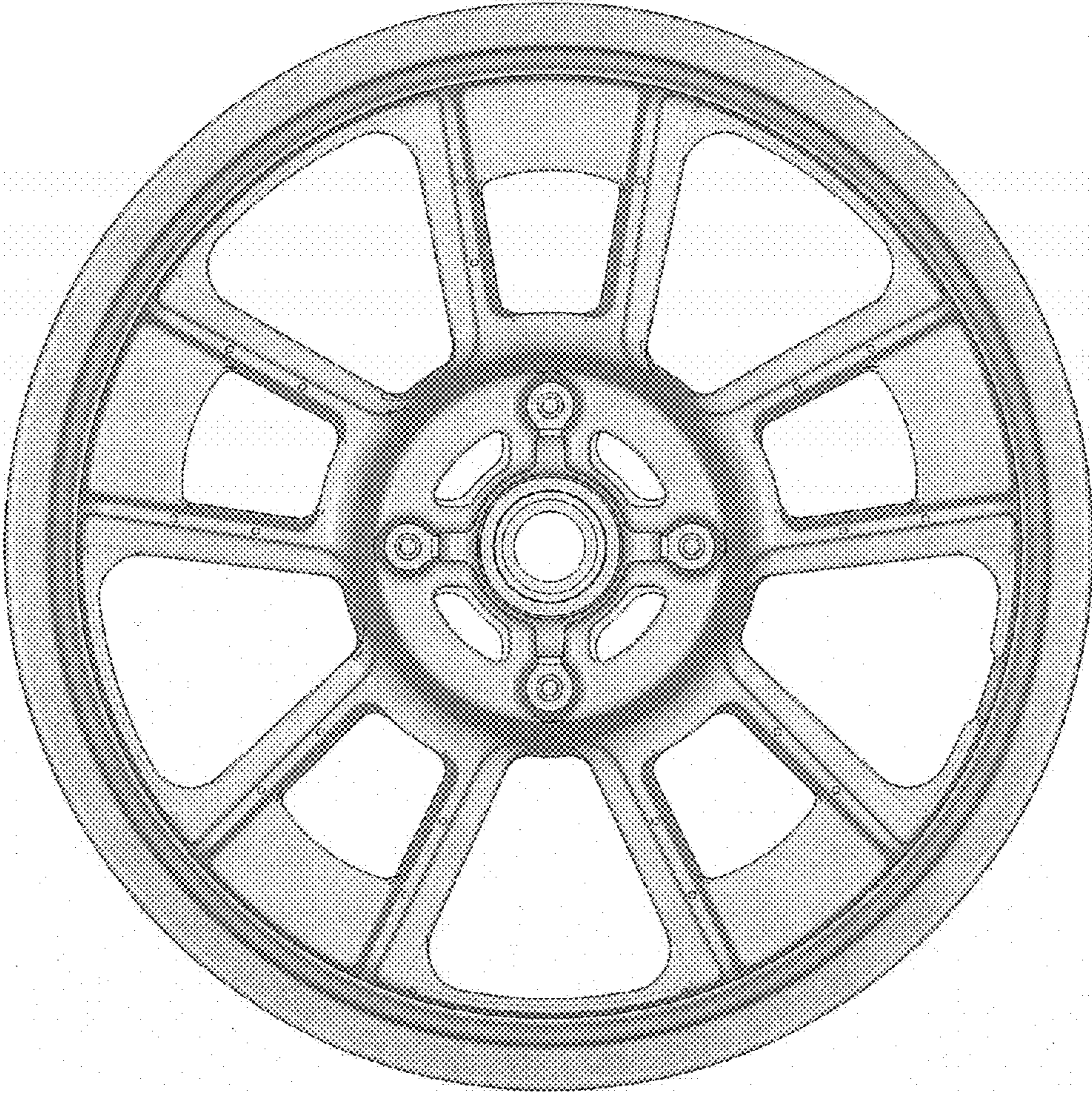


Fig. 2

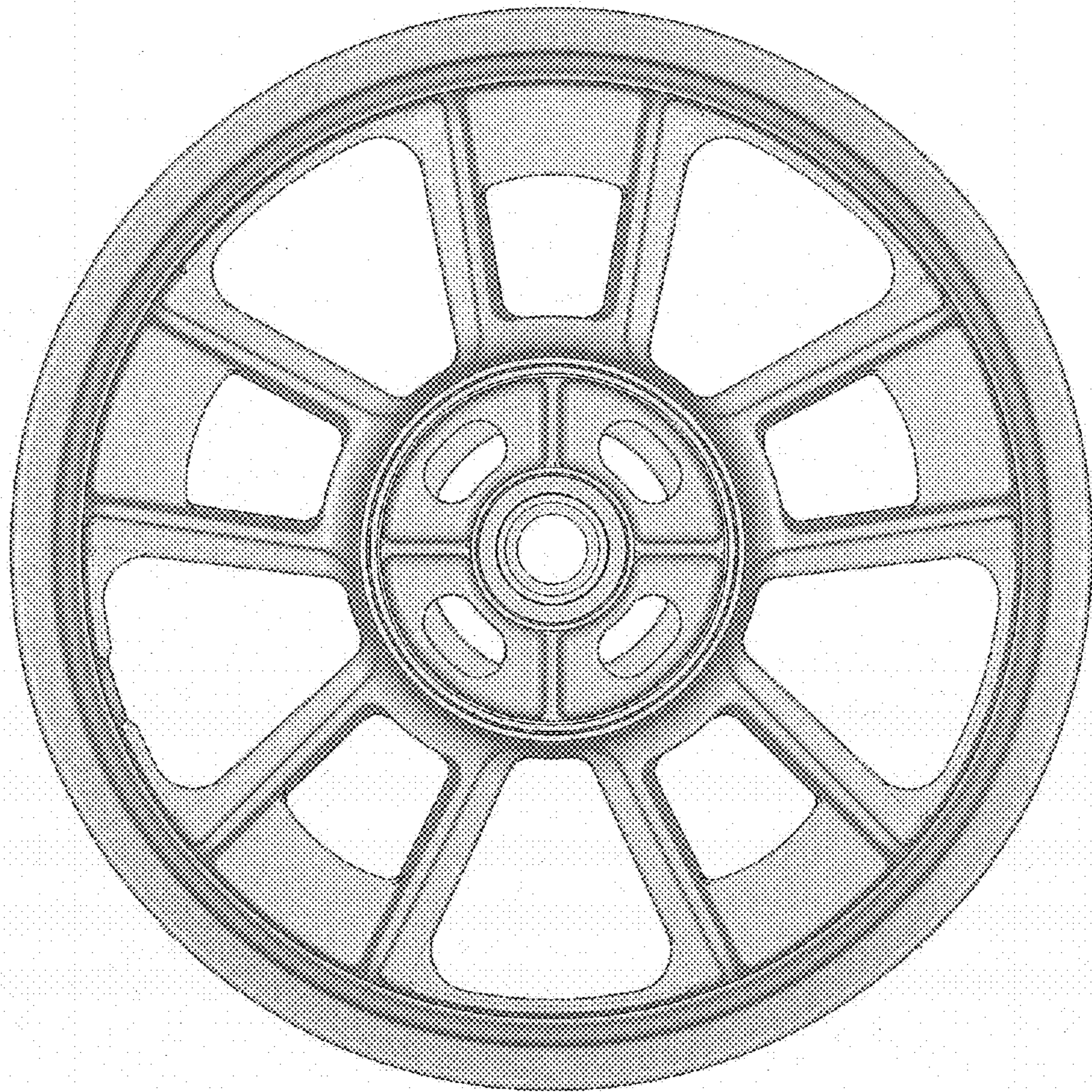


Fig. 3

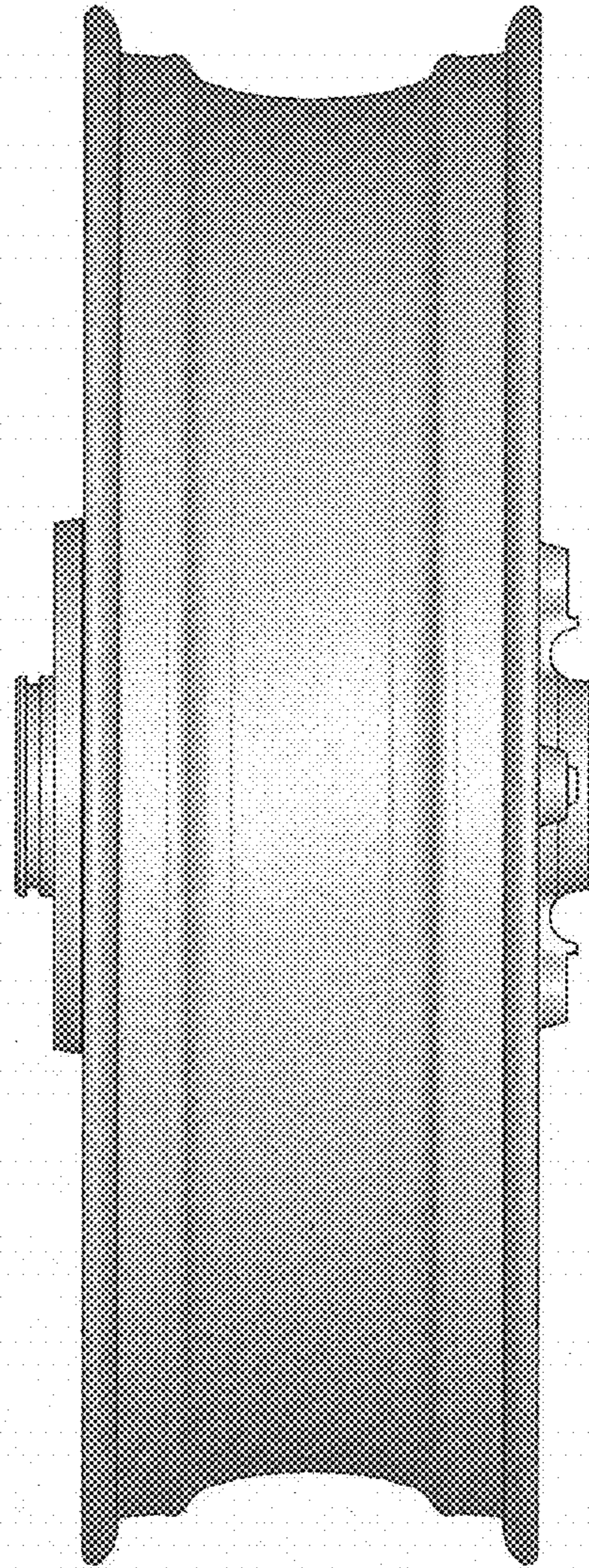


Fig. 4

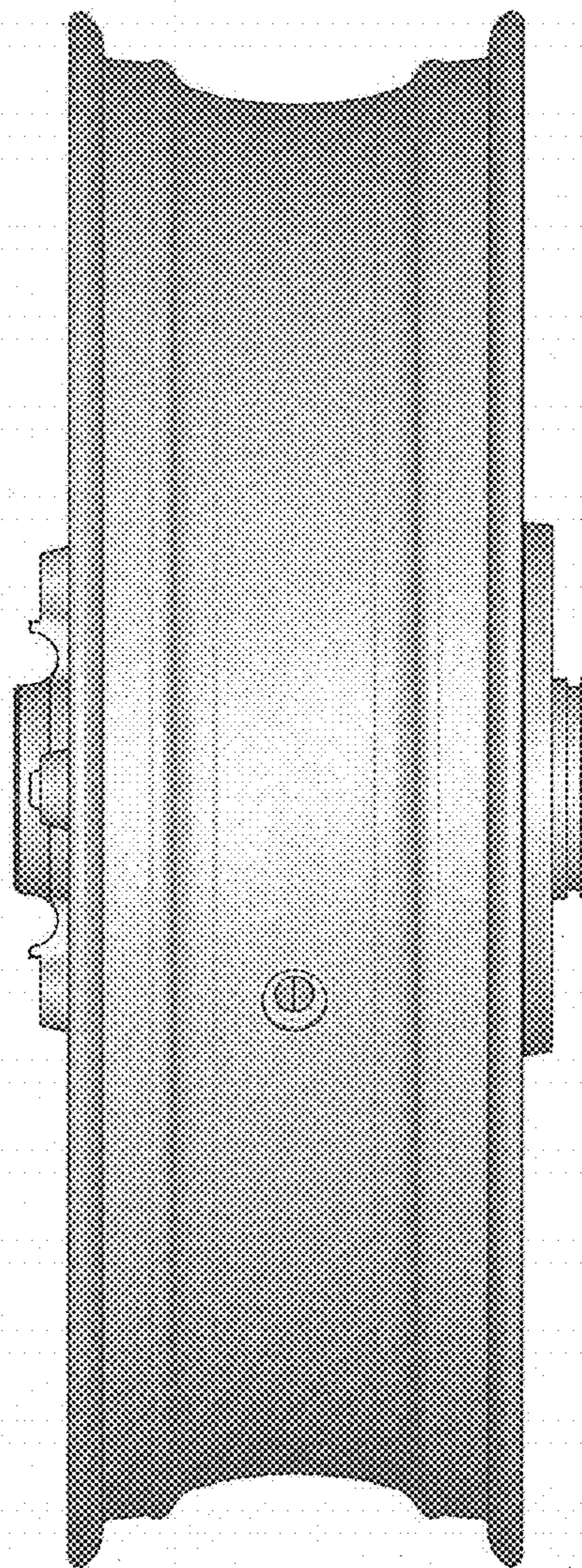


Fig. 5

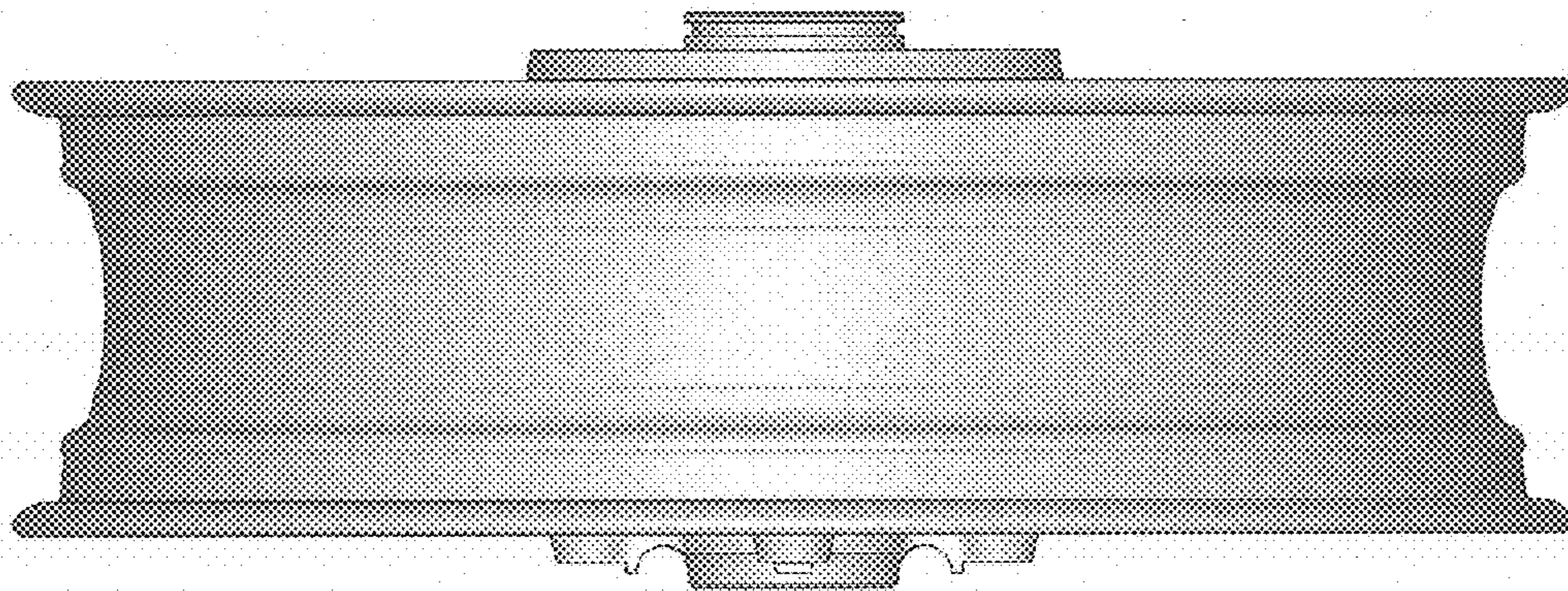


Fig. 6

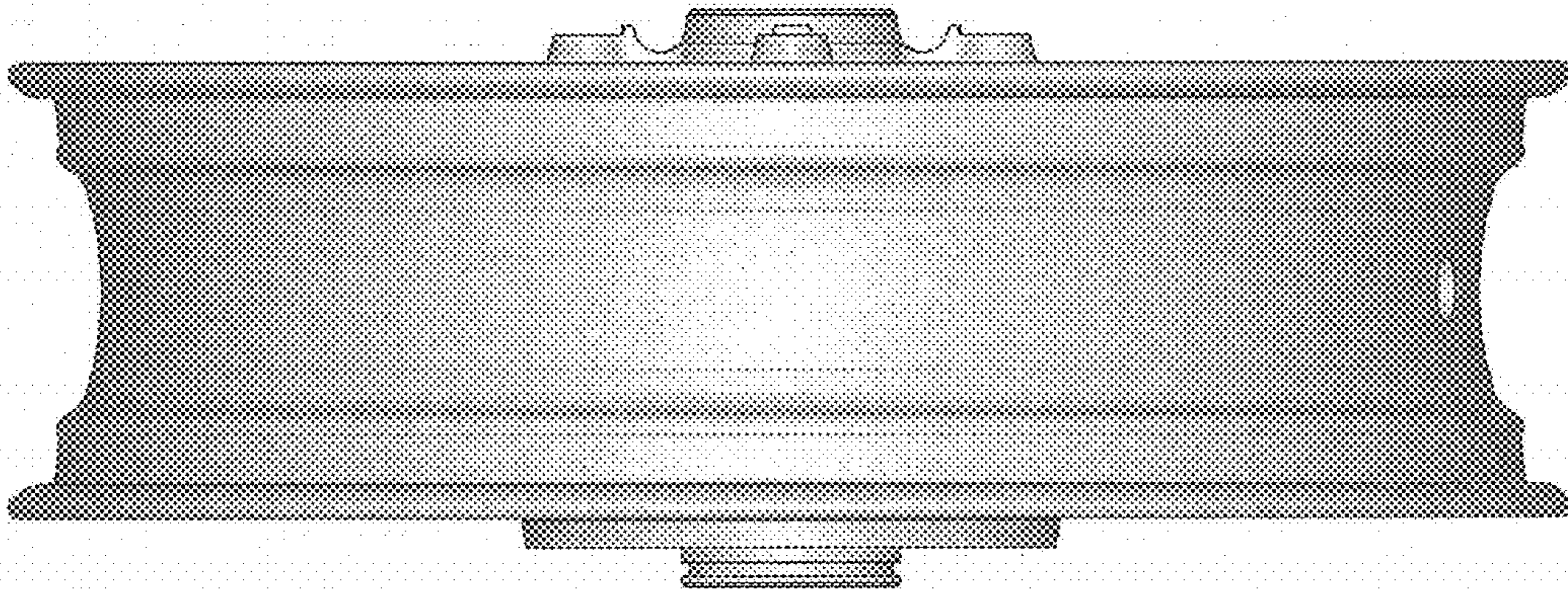


Fig. 7

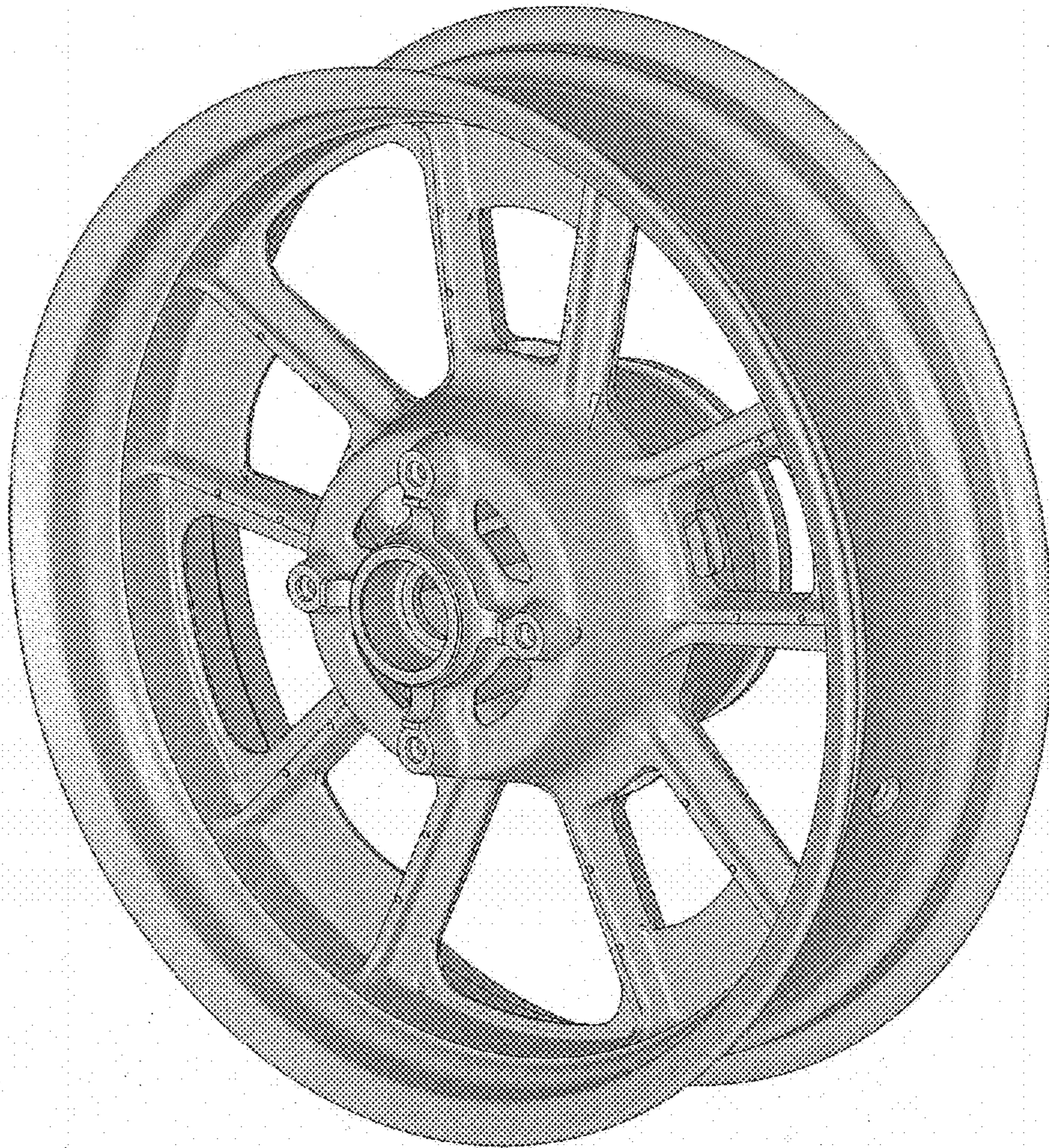




Fig. 8

