



US00D744930S

(12) **United States Design Patent**
Chung

(10) **Patent No.:** **US D744,930 S**

(45) **Date of Patent:** **** Dec. 8, 2015**

(54) **AUTOMOTIVE WHEEL**

(71) Applicant: **Suny Chung**, Brea, CA (US)

(72) Inventor: **Suny Chung**, Brea, CA (US)

(**) Term: **14 Years**

(21) Appl. No.: **29/442,698**

(22) Filed: **Apr. 22, 2013**

(51) **LOC (10) Cl.** **12-16**

(52) **U.S. Cl.**
USPC **D12/211**

(58) **Field of Classification Search**
USPC D12/204–213

CPC B60B 7/00; B60B 7/02; B60B 7/04;
B60B 7/06; B60B 3/02; B60B 3/04; B60B
3/06; B60B 3/10; B60B 1/00; B60B 1/08;
B60B 1/10; B60B 1/12

See application file for complete search history.

(56) **References Cited**

U.S. PATENT DOCUMENTS

D463,769 S * 10/2002 Chung D12/211
D504,382 S * 4/2005 Elmitt D12/211
D520,933 S * 5/2006 Pfeiffer D12/211

D522,430 S * 6/2006 Nordmann D12/209
D523,801 S * 6/2006 Madden D12/211
D532,356 S * 11/2006 Bernoni D12/211
D537,026 S * 2/2007 Nordmann D12/209
D547,711 S * 7/2007 Young D12/211
D560,589 S * 1/2008 Celik D12/211
D635,907 S * 4/2011 Futschik et al. D12/211
D655,233 S * 3/2012 Alfonso D12/211
D682,768 S * 5/2013 Hale D12/211
D686,962 S * 7/2013 Hale, Jr. D12/211
D695,671 S * 12/2013 Chung D12/211
D715,721 S * 10/2014 Chung D12/211
D724,516 S * 3/2015 Di Buduo et al. D12/211

* cited by examiner

Primary Examiner — Stacia Cadmus

(57) **CLAIM**

I claim to have invented the ornamental design for an auto-
motive wheel, as shown and described.

DESCRIPTION

FIG. 1 is an oblique view of a wheel showing my new design;
and,

FIG. 2 is a front elevation view thereof.

1 Claim, 2 Drawing Sheets

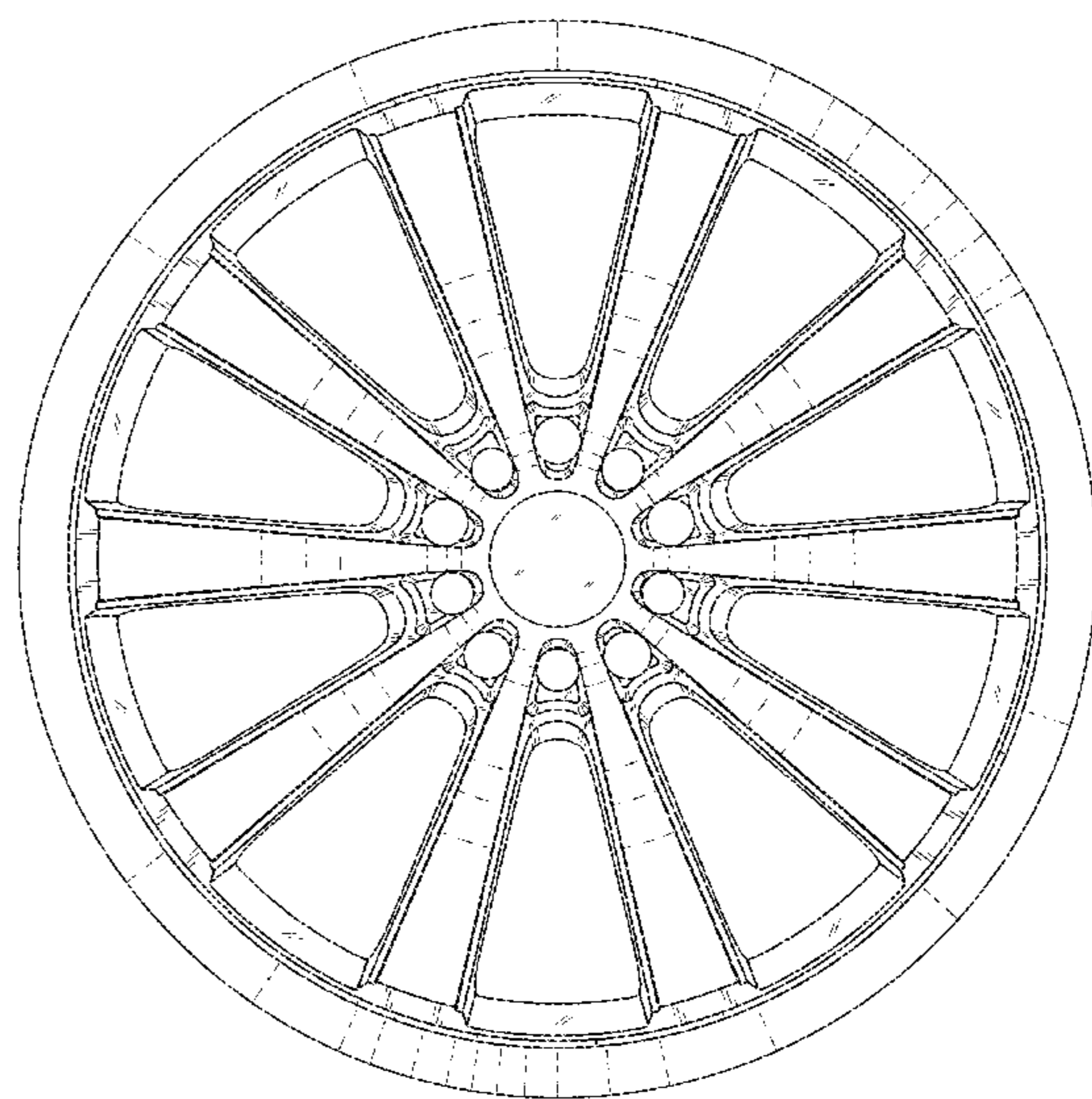
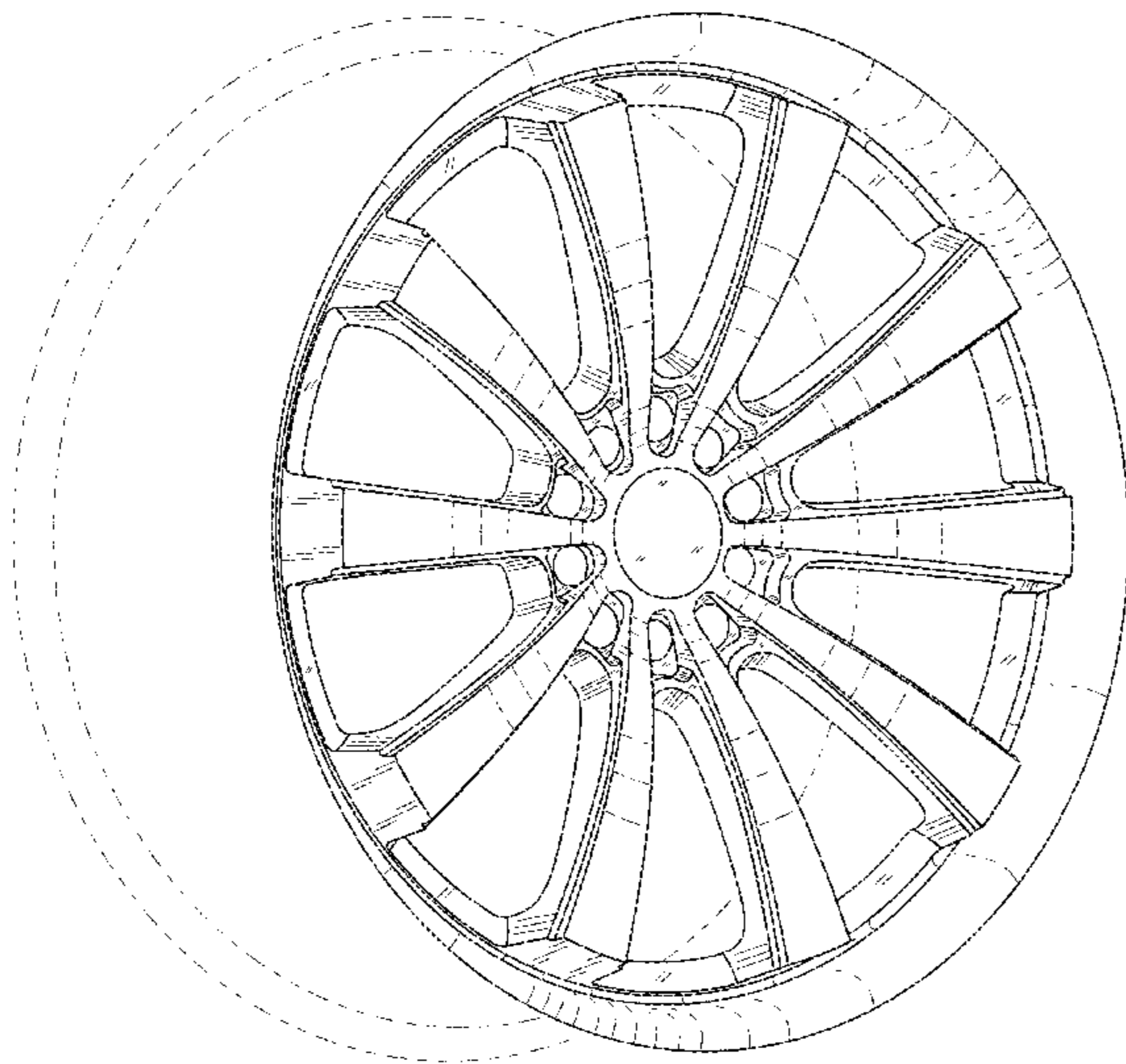


FIGURE 1

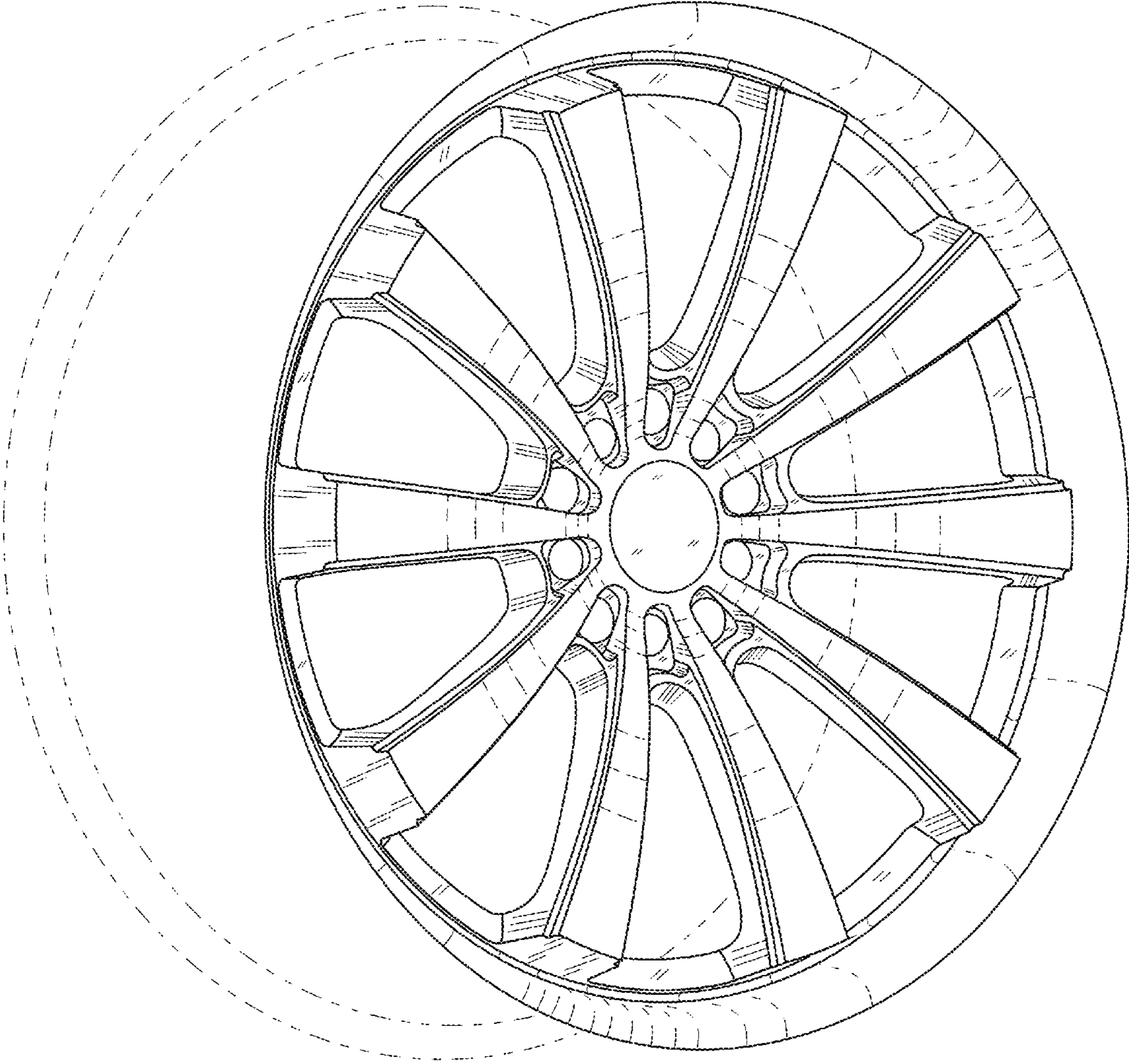


FIGURE 2

