



US00D744923S

(12) **United States Design Patent**
Polka

(10) **Patent No.:** **US D744,923 S**
(45) **Date of Patent:** **** Dec. 8, 2015**

- (54) **AERODYNAMIC WHEEL COVER**
- (71) Applicant: **RealWheels Corporation**, Gurnee, IL (US)
- (72) Inventor: **John Polka**, Gurnee, IL (US)
- (73) Assignee: **RealWheels Corporation**, Gurnee, IL (US)

4,974,909 A	12/1990	Patti et al.
5,042,881 A	8/1991	Polka
5,061,014 A	10/1991	Polka
5,167,440 A	12/1992	FitzGerald
5,222,785 A	6/1993	Green
5,263,770 A	11/1993	Goudey
5,294,189 A	3/1994	Price et al.
5,358,313 A	10/1994	Polka
5,366,278 A	11/1994	Brumfield

(Continued)

(**) Term: **14 Years**

FOREIGN PATENT DOCUMENTS

(21) Appl. No.: **29/450,722**

EP	0200812 B1	9/1985
EP	0300538 B1	7/1988

(22) Filed: **Mar. 21, 2013**

Primary Examiner — Stacia Cadmus

(51) **LOC (10) Cl.** **12-16**

(74) *Attorney, Agent, or Firm* — Jansson Munger McKinley & Shape Ltd.

(52) **U.S. Cl.**

USPC **D12/204**

(58) **Field of Classification Search**

USPC D12/204–213; D7/585, 584, 587, 570, D7/545, 396.5

CPC B60B 7/00; B60B 7/02; B60B 7/04; B60B 7/01; B60B 7/06; B60B 3/02; B60B 3/04; B60B 3/06; B60B 3/10; B60B 1/00; B60B 1/08; B60B 1/10; B60B 1/12

See application file for complete search history.

(57) **CLAIM**

The ornamental design for an aerodynamic wheel cover, as shown and described.

DESCRIPTION

FIG. 1 is a front perspective view of the aerodynamic wheel cover;

FIG. 2 is a rear perspective view of the aerodynamic wheel cover of FIG. 1;

FIG. 3 is a front plan view of the aerodynamic wheel cover of FIG. 1;

FIG. 4 is a rear view of the aerodynamic wheel cover of FIG. 1;

FIG. 5 is a top elevation view of the aerodynamic wheel cover of FIG. 1;

FIG. 6 is a bottom elevation view of the aerodynamic wheel cover of FIG. 1;

FIG. 7 is a left-side elevation view of the aerodynamic wheel cover of FIG. 1; and,

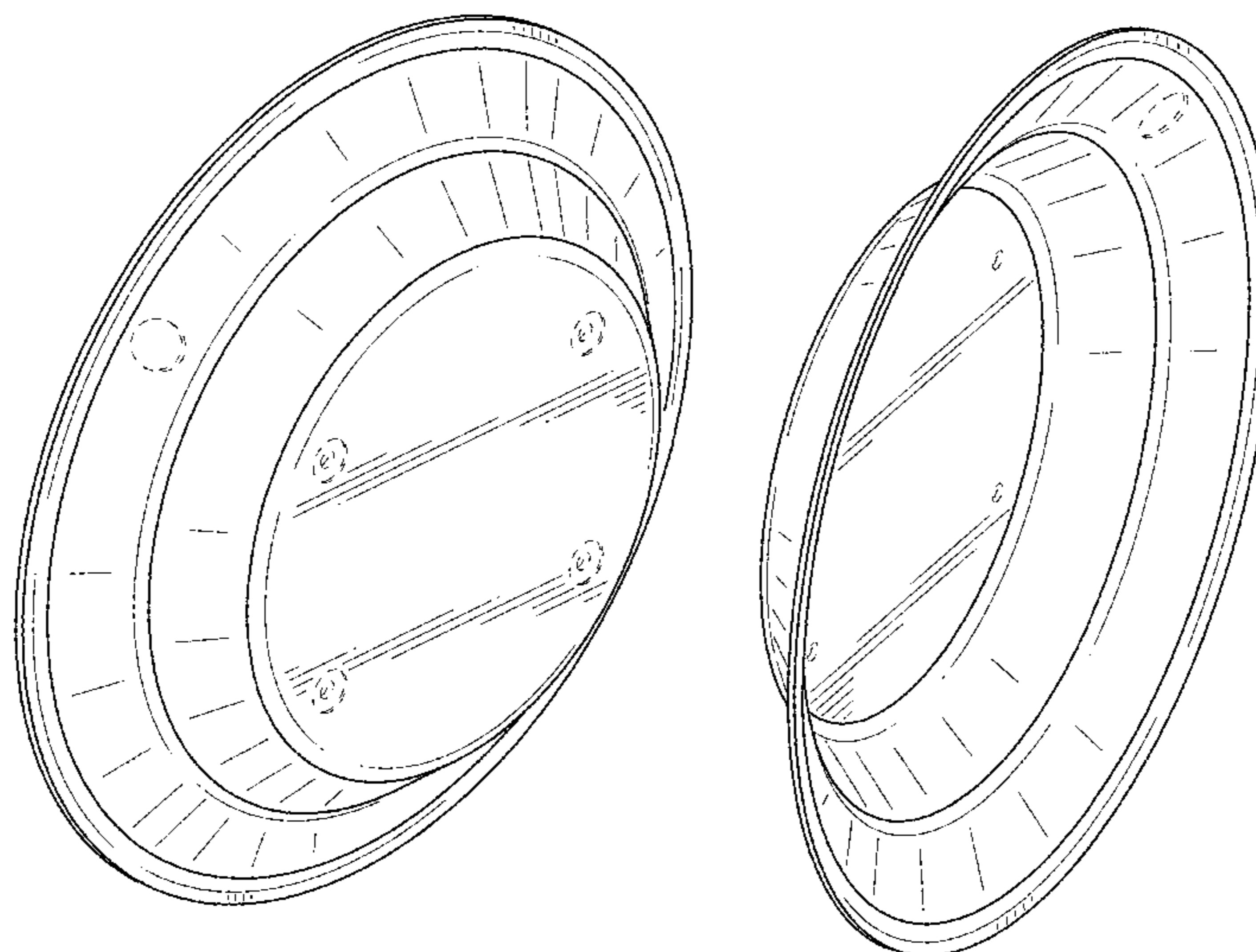
FIG. 8 is a right-side elevation view of the aerodynamic wheel cover of FIG. 1.

(56) **References Cited**

U.S. PATENT DOCUMENTS

2,526,026 A	10/1950	Horn	
2,794,684 A	6/1957	Lyon	
3,532,385 A	10/1970	Foster et al.	
3,724,905 A	4/1973	Kachler	
3,988,039 A	10/1976	Spisak	
D271,293 S *	11/1983	Polka	D12/204
4,593,953 A	6/1986	Baba et al.	
4,725,100 A	2/1988	Patti	
4,761,040 A	8/1988	Johnson	
4,842,339 A	6/1989	Roulinson	
4,889,394 A	12/1989	Ruspa	
4,895,415 A	1/1990	Stay et al.	
D311,718 S *	10/1990	Whitsel	D12/213

1 Claim, 5 Drawing Sheets



(56)

References Cited

U.S. PATENT DOCUMENTS

5,366,279	A	11/1994	Polka				
D377,162	S *	1/1997	Maynard	D12/213	6,467,852	B1	10/2002 Polka
RE35,497	E	4/1997	Carter, III		6,595,596	B1	7/2003 Polka
5,630,653	A	5/1997	Polka		6,682,151	B1	1/2004 Van Houten et al.
D390,181	S *	2/1998	Morrison	D12/213	6,820,475	B2	11/2004 Wallach
5,770,797	A	6/1998	Lapohn		6,983,998	B2	1/2006 Litzka
5,795,035	A	8/1998	Fuller		7,059,684	B1	6/2006 Polka
5,823,635	A	10/1998	Polka		D528,963	S *	9/2006 Horn
6,378,954	B1	4/2002	Polka		7,218,210	B2	5/2007 Schoenberger et al.
6,386,642	B2	5/2002	Maloney et al.		D567,730	S *	4/2008 Polka
6,409,277	B2	6/2002	Nunes et al.		D596,553	S *	7/2009 Kelly, Jr.
6,443,528	B1	9/2002	Polka		7,677,677	B1	3/2010 Roberts
					2005/0199328	A1	9/2005 Schoenberger et al.
					2009/0224597	A1	9/2009 Wood
					2013/0015698	A1	1/2013 Butler et al.

* cited by examiner

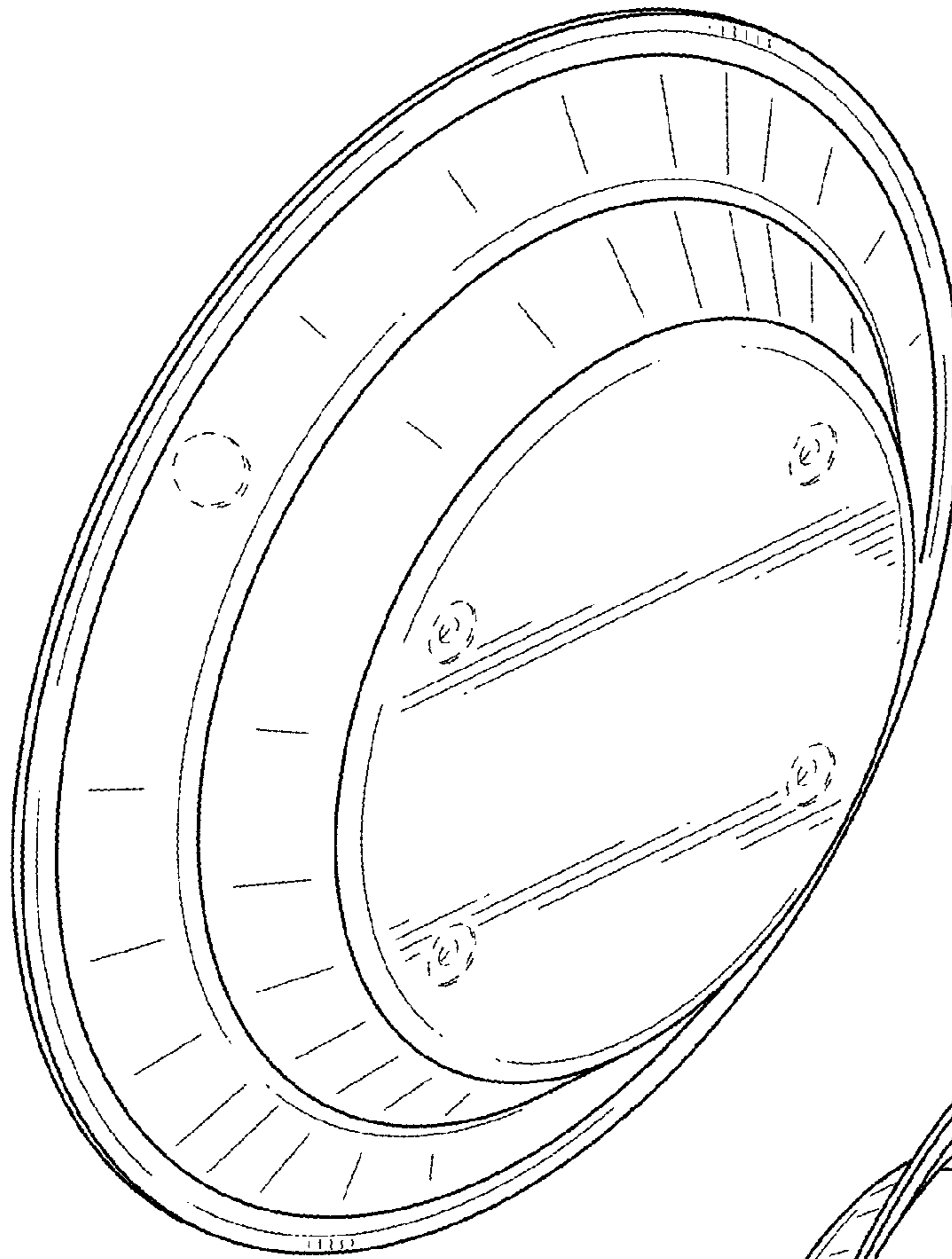


FIG. 1

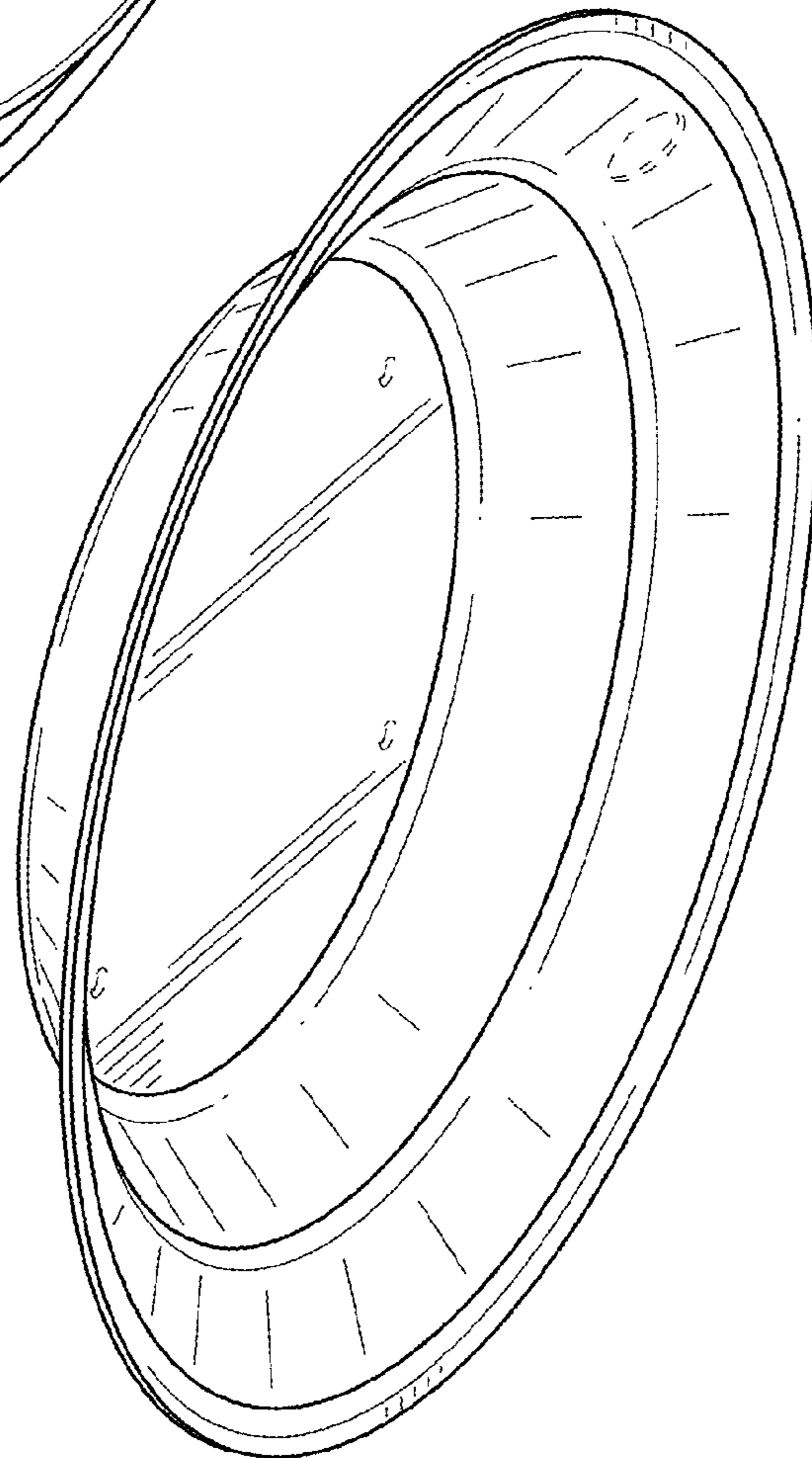


FIG. 2

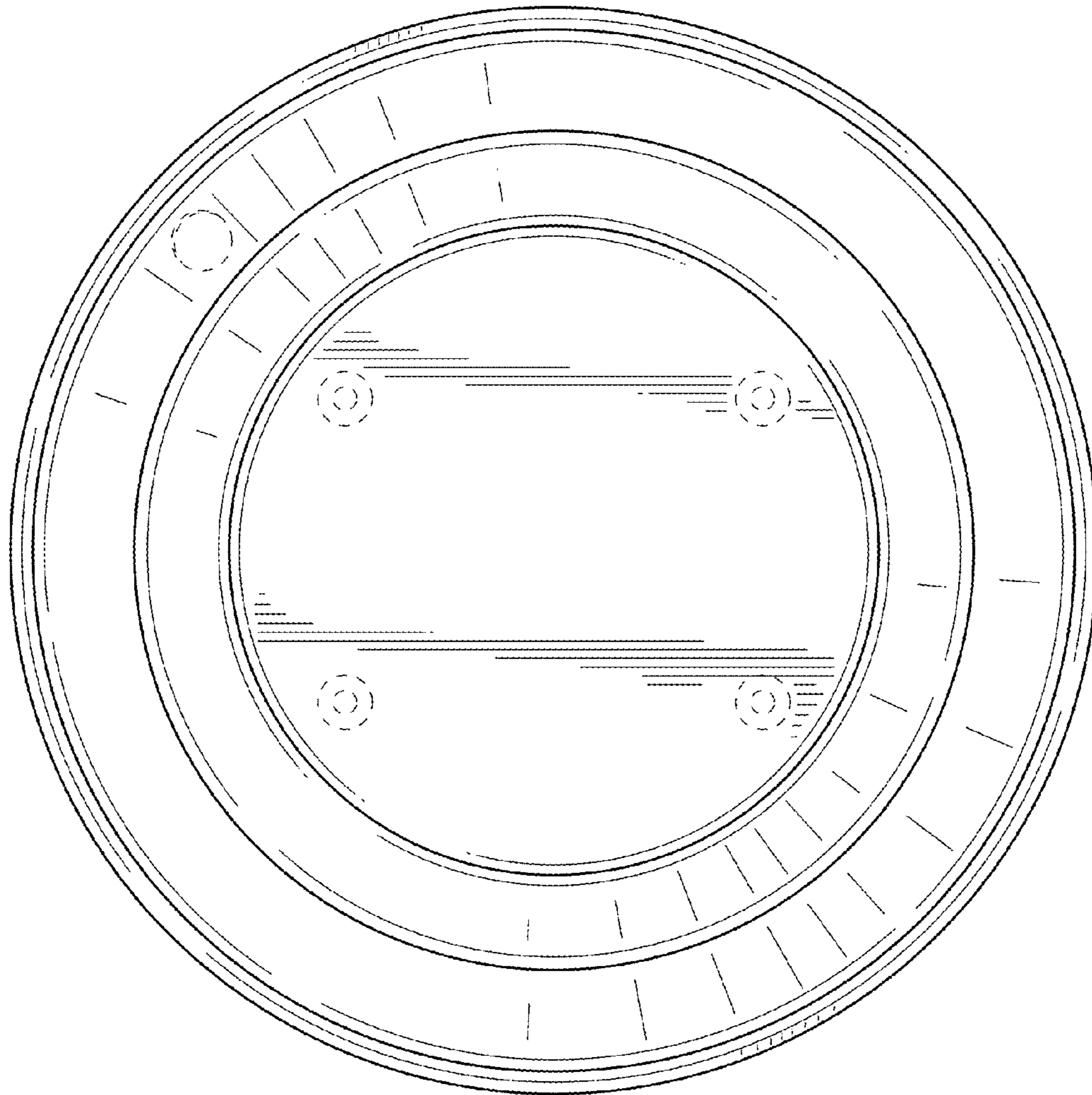


FIG. 3

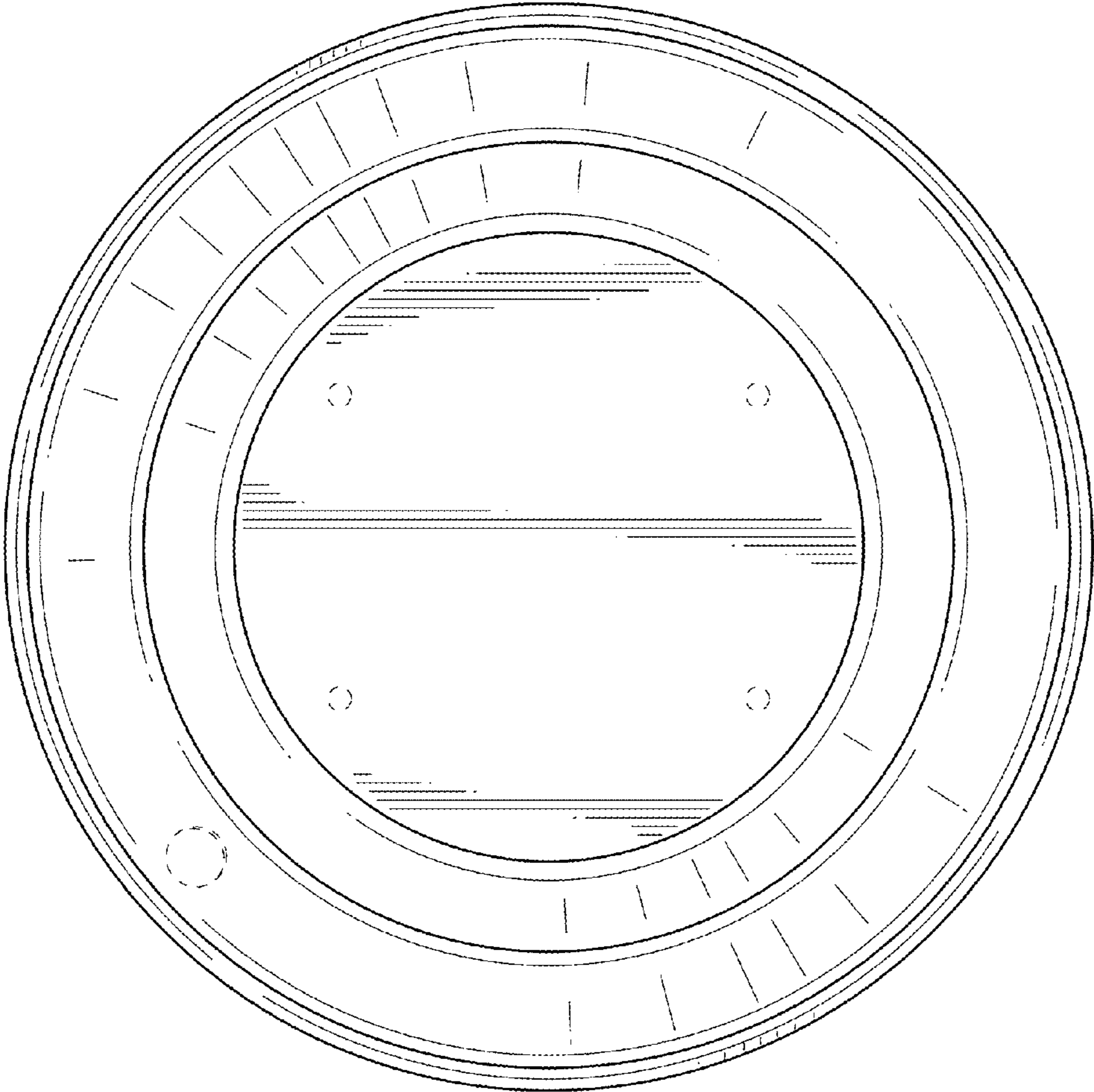


FIG. 4

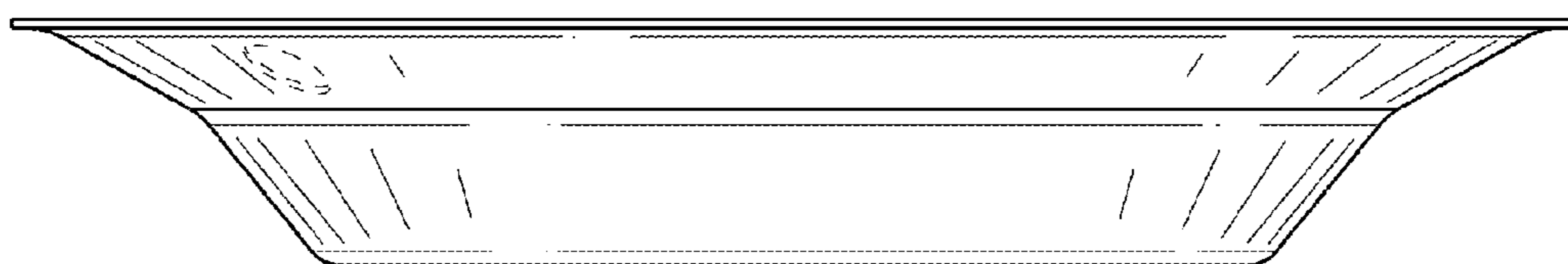


FIG. 5

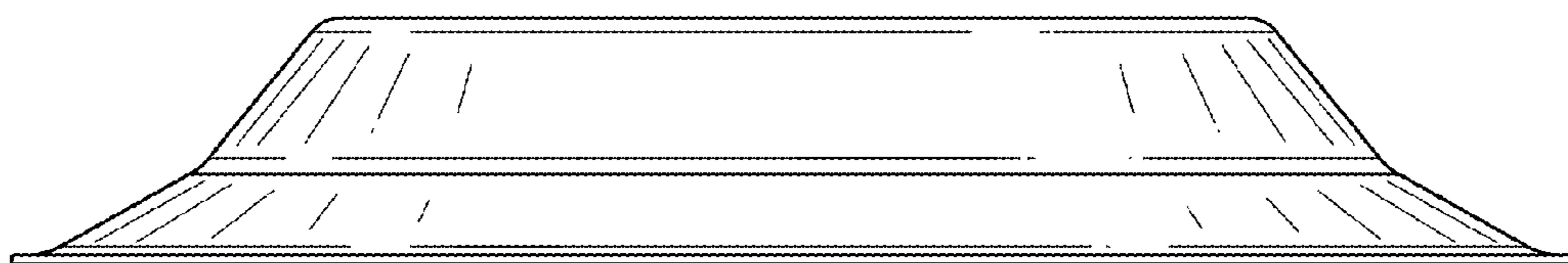


FIG. 6

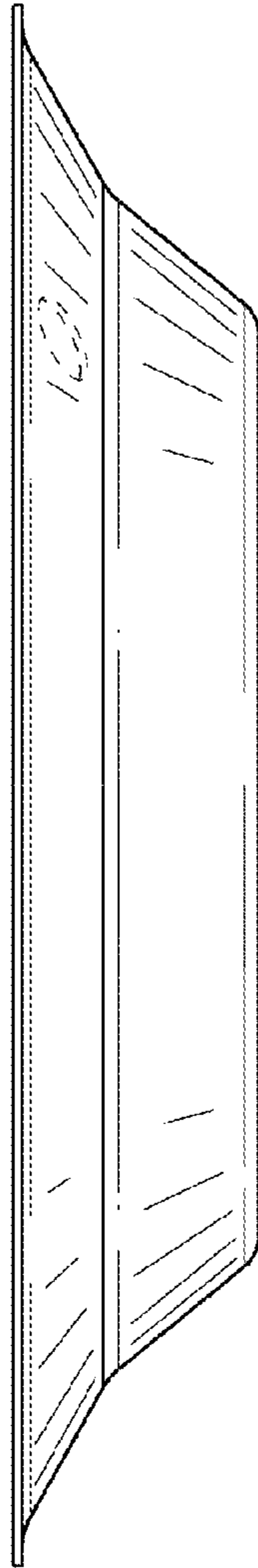


FIG. 7

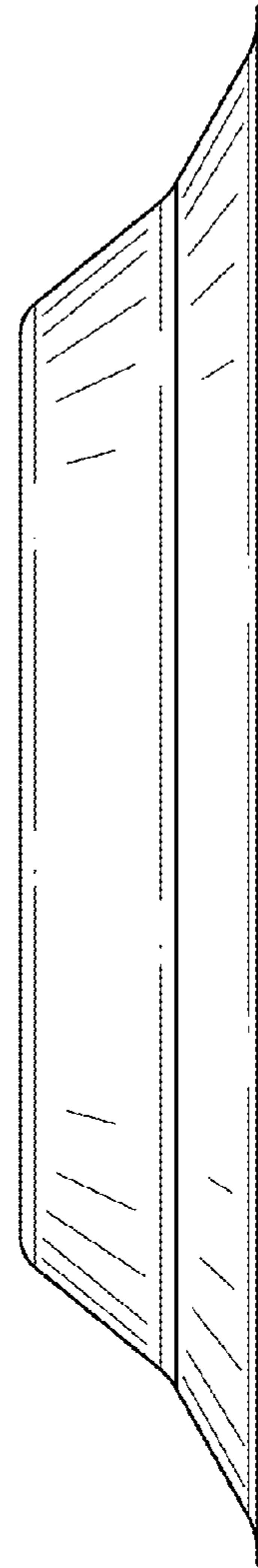


FIG. 8