



US00D744921S

(12) **United States Design Patent**
Rankens

(10) **Patent No.:** **US D744,921 S**

(45) **Date of Patent:** **** Dec. 8, 2015**

(54) **EXHAUST PIPE**

Primary Examiner — Michael A Pratt

(71) Applicant: **Mitchell Rankens**, Yorkville, IL (US)

(72) Inventor: **Mitchell Rankens**, Yorkville, IL (US)

(**) Term: **14 Years**

(21) Appl. No.: **29/499,060**

(22) Filed: **Aug. 11, 2014**

(51) **LOC (10) Cl.** **12-16**

(52) **U.S. Cl.**
USPC **D12/194**

(58) **Field of Classification Search**
USPC D12/194; D15/1, 5
CPC F01N 13/1805; F01N 13/10
See application file for complete search history.

(56) **References Cited**

U.S. PATENT DOCUMENTS

D485,222 S	1/2004	Kerr	
D490,038 S	5/2004	Macaluso	
D576,935 S	9/2008	Kerr	
D580,329 S	11/2008	Kerr	
7,686,131 B1	3/2010	Osterkamp	
D617,535 S *	6/2010	Clement D2/866
7,958,966 B2 *	6/2011	Smith F01N 13/082
			181/212
8,667,989 B1 *	3/2014	Feldmeier F16K 7/17
			137/885

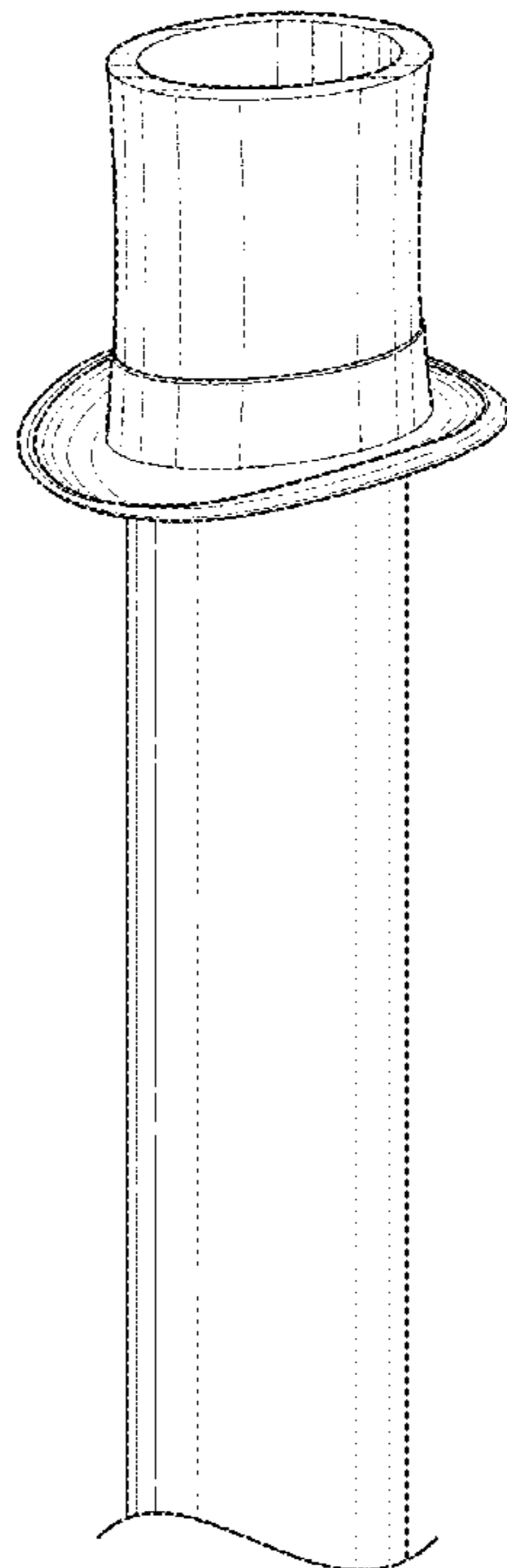
* cited by examiner

(57) **CLAIM**
The ornamental design for an exhaust pipe, as shown and described.

DESCRIPTION

FIG. 1 shows a perspective view of the exhaust pipe of the present invention.
 FIG. 2 shows a perspective view of the exhaust pipe of the present invention in a working state.
 FIG. 3 shows a frontal view of the exhaust pipe of the present invention.
 FIG. 4 shows a rear view of the exhaust pipe of the present invention.
 FIG. 5 shows an underside view of the exhaust pipe of the present invention.
 FIG. 6 shows an overhead view of the exhaust pipe of the present invention.
 FIG. 7 shows a first side view of the exhaust pipe of the present invention; and,
 FIG. 8 shows a second side view of the exhaust pipe of the present invention.
 The broken lines shown in FIG. 2 represent environmental effects or potential embodiments and do not form any part of the claimed design.

1 Claim, 5 Drawing Sheets



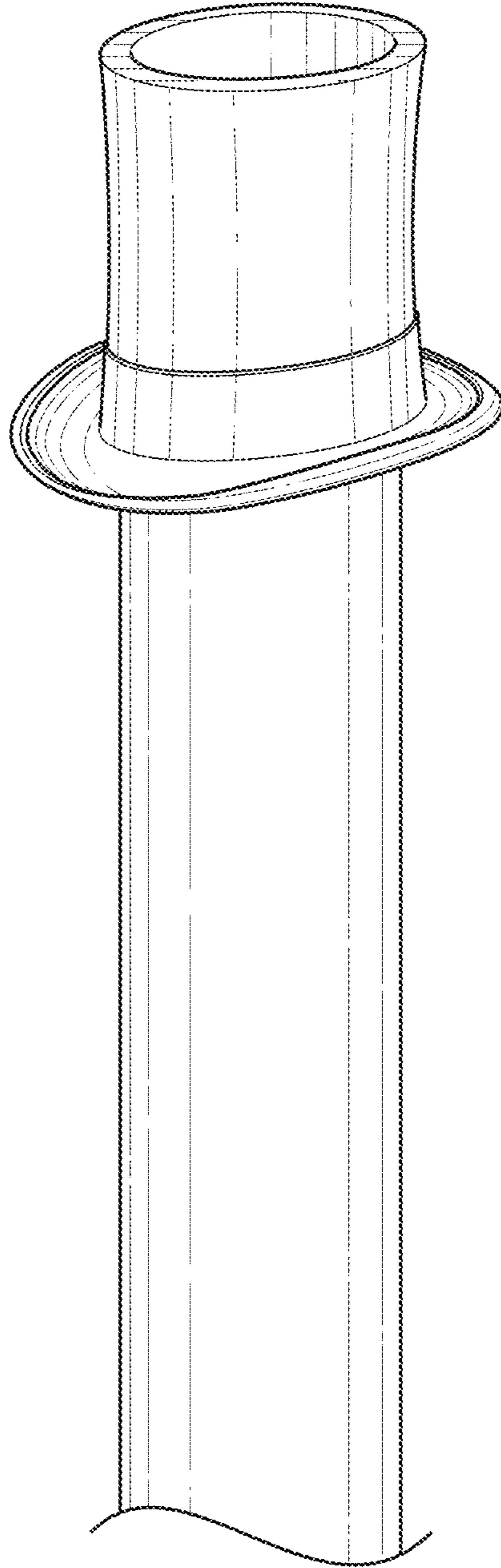


FIG. 1

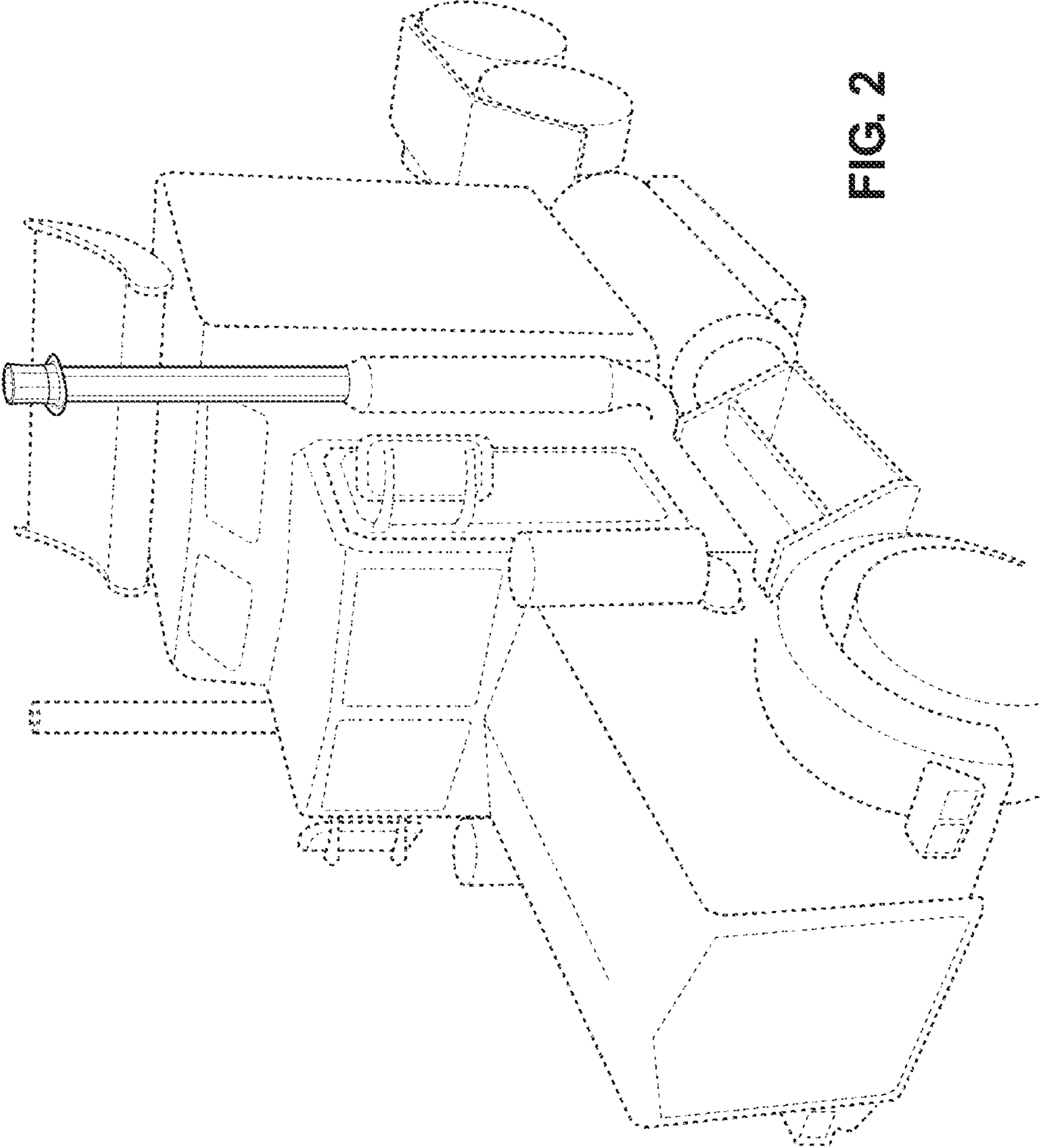


FIG. 2

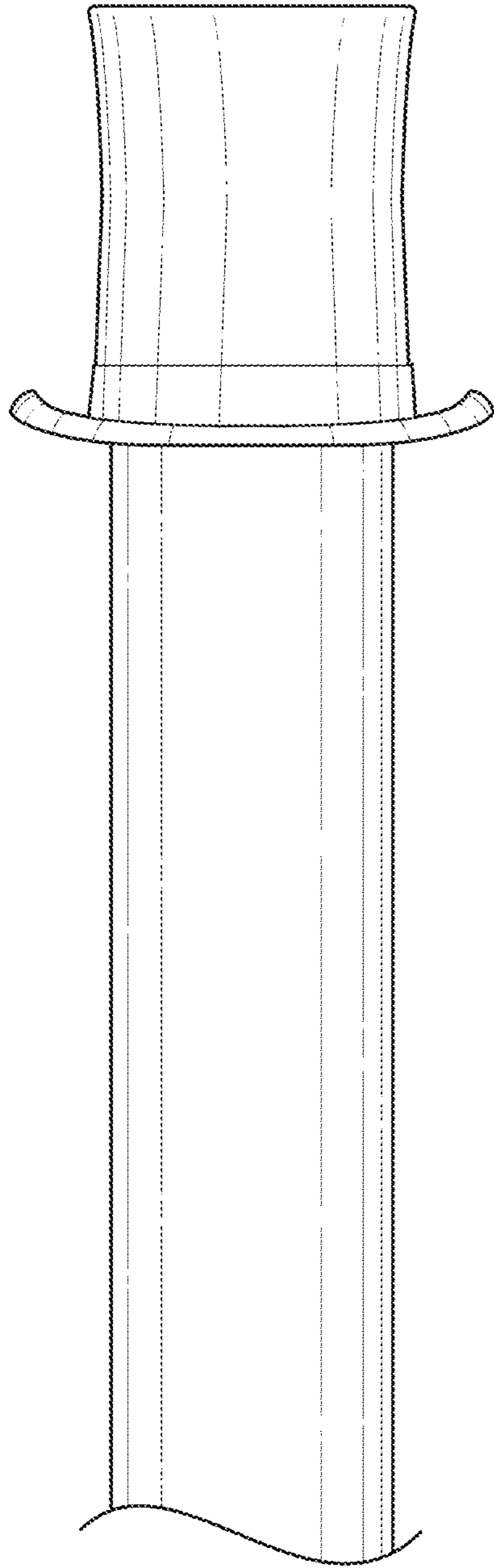


FIG. 3

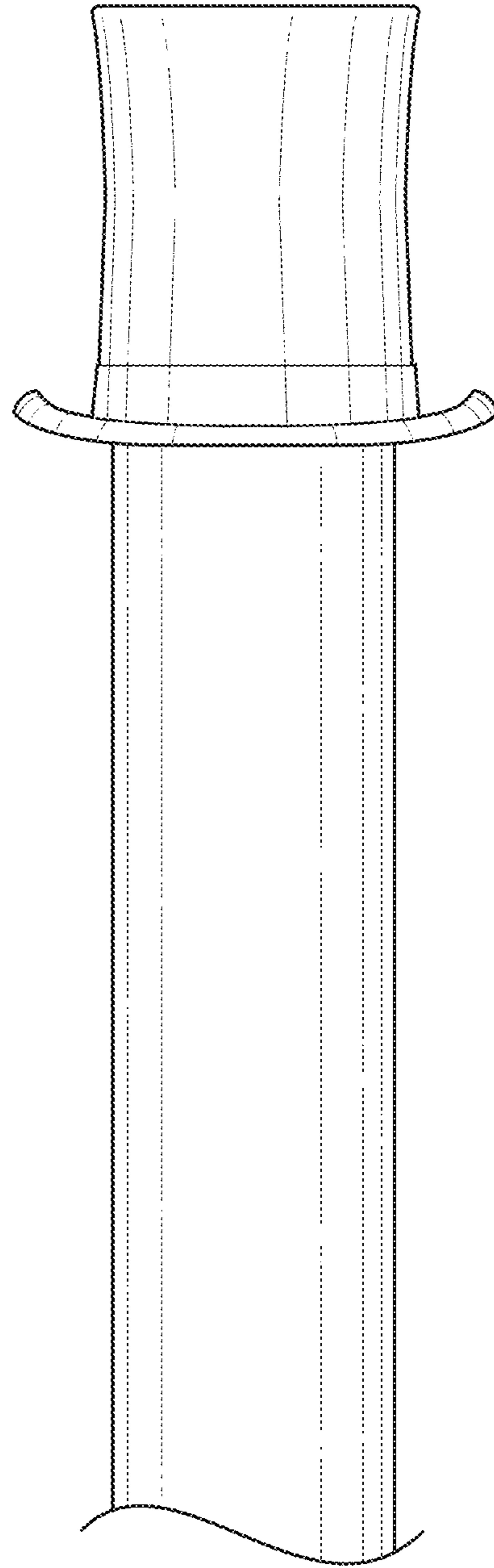


FIG. 4

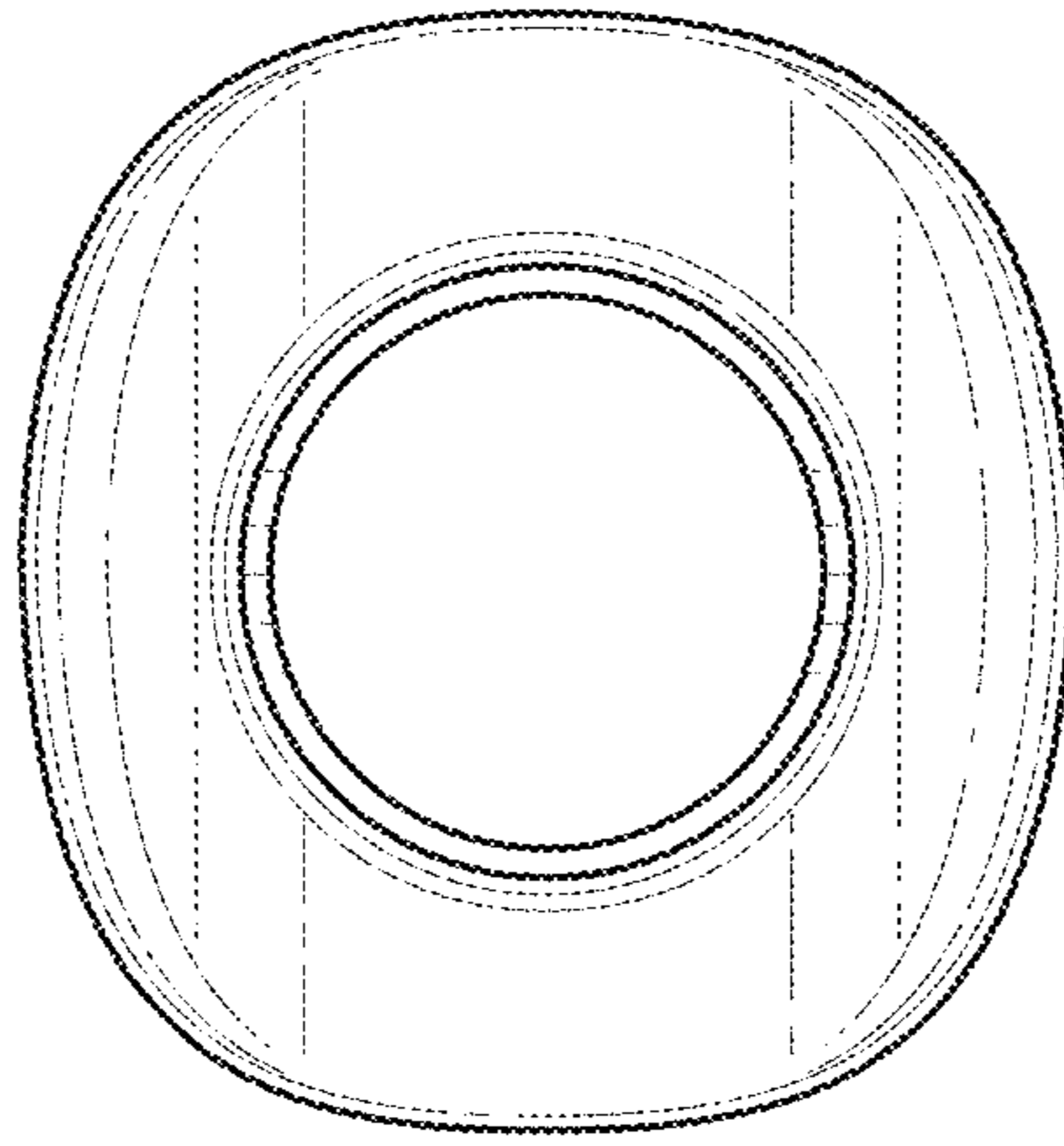


FIG. 5

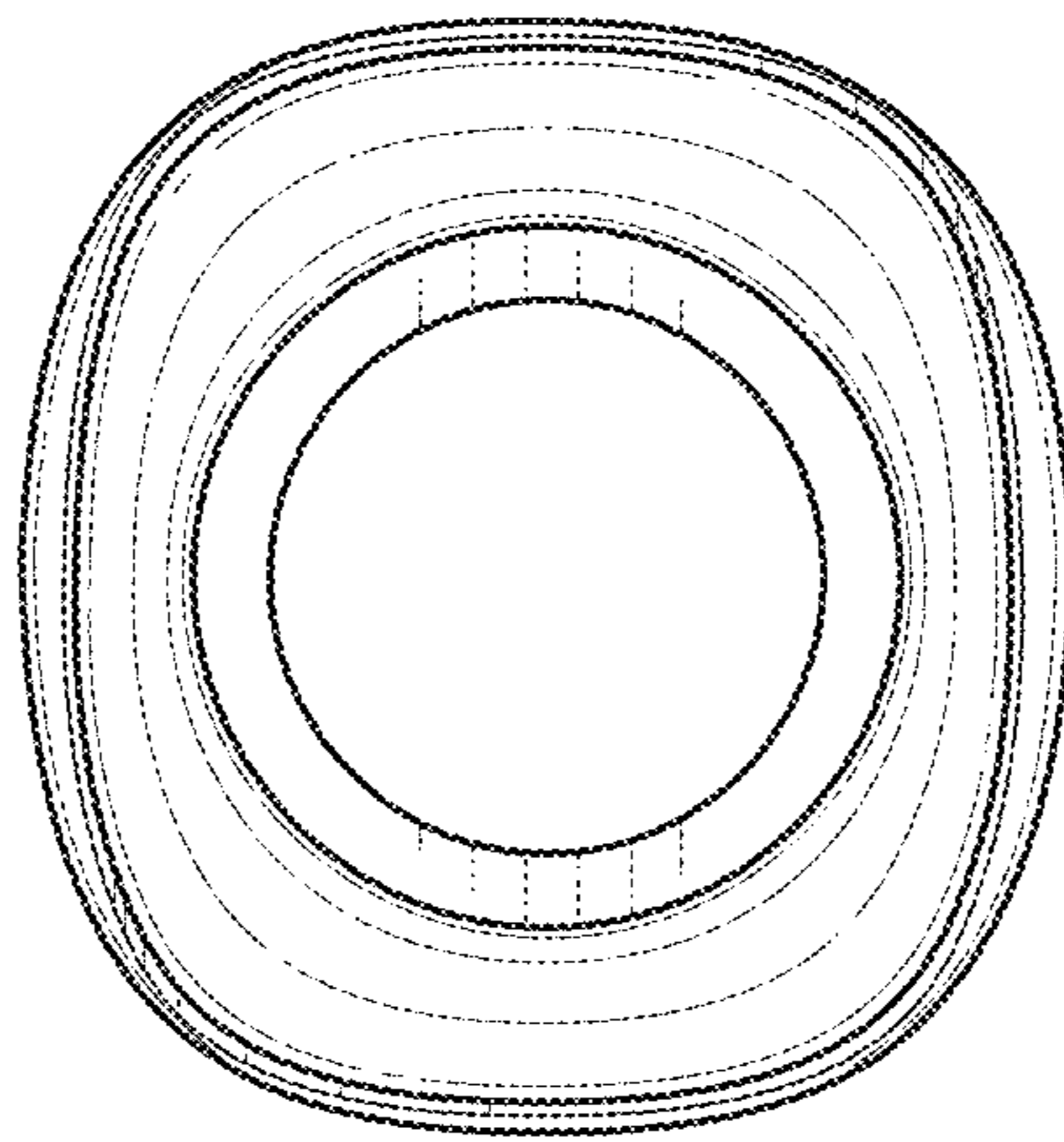


FIG. 6

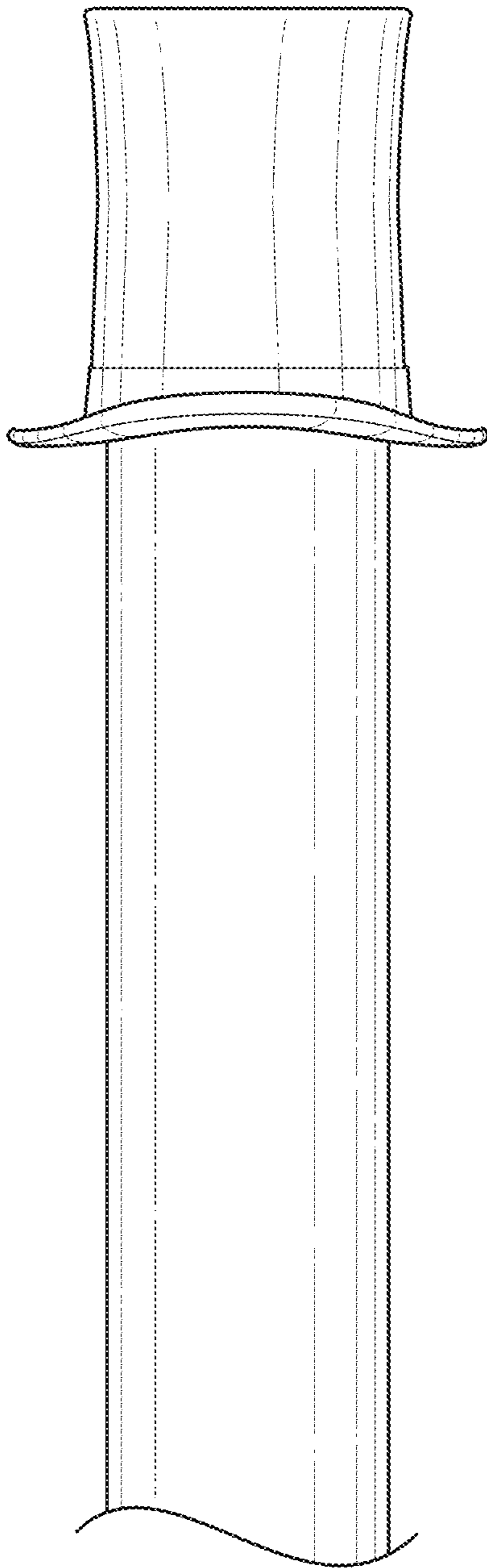


FIG. 7

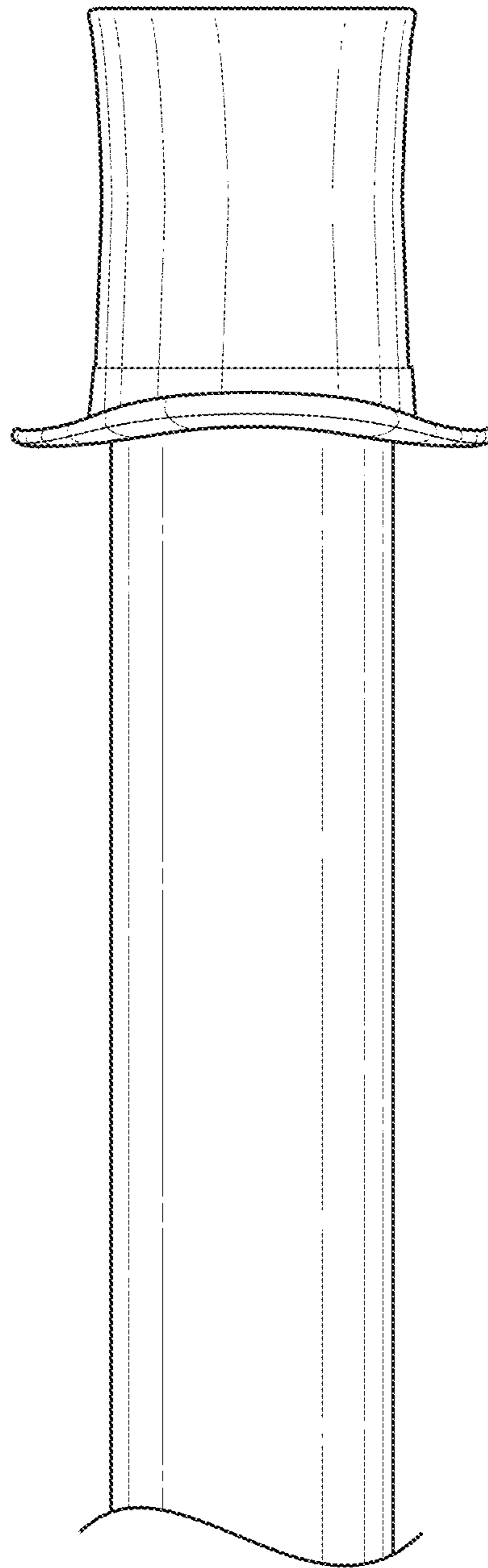


FIG. 8