



US00D744913S

(12) **United States Design Patent**
Leclercq

(10) **Patent No.:** **US D744,913 S**
(45) **Date of Patent:** **** Dec. 8, 2015**

(54) **REAR BUMPER FOR A VEHICLE**
(71) Applicant: **Bayerische Motoren Werke**
Aktiengesellschaft, Munich (DE)

(72) Inventor: **Pierre Leclercq, Munich (DE)**

(73) Assignee: **Bayerische Motoren Werke**
Aktiengesellschaft, Munich (DE)

(**) Term: **14 Years**

(21) Appl. No.: **29/492,754**

(22) Filed: **Jun. 3, 2014**

(30) **Foreign Application Priority Data**

Dec. 4, 2013 (DE) 40 2013 101 224

(51) **LOC (10) Cl.** **12-16**

(52) **U.S. Cl.**
USPC **D12/169**

(58) **Field of Classification Search**
USPC D12/169, 216, 90-92, 86, 171, 196,
D12/163; 293/102, 113, 115, 117, 120;
296/180.1, 180.2
CPC . B60R 19/52; B60R 2019/25; B62D 25/0845
See application file for complete search history.

(56) **References Cited**

U.S. PATENT DOCUMENTS

6,520,553 B2 * 2/2003 Muramatsu 293/155
D583,725 S * 12/2008 Schiavone et al. D12/169
D589,416 S * 3/2009 Osborne et al. D12/169
D590,308 S * 4/2009 Futschik et al. D12/169
D615,009 S * 5/2010 Schell et al. D12/169
D619,509 S * 7/2010 Choi et al. D12/164
D640,613 S * 6/2011 Bauer et al. D12/169
D640,616 S * 6/2011 Schell et al. D12/169
D647,831 S * 11/2011 Murakawa et al. D12/169
D653,593 S * 2/2012 Nishihama D12/169
D663,658 S * 7/2012 Karras et al. D12/169

D671,049 S * 11/2012 Davidson et al. D12/169
D673,088 S * 12/2012 Thompson D12/169
D711,294 S * 8/2014 Karras et al. D12/169
D721,022 S * 1/2015 Hanaoka D12/169
D722,926 S * 2/2015 Kato D12/169
D734,222 S * 7/2015 Duff et al. D12/169

FOREIGN PATENT DOCUMENTS

EM 002156745-0002 4/2013
WO DM/080113 8/2013
WO DM/082839 2/2014

* cited by examiner

Primary Examiner — Melody N Brown

(74) *Attorney, Agent, or Firm* — Crowell & Moring LLP

(57) **CLAIM**

The ornamental design for a rear bumper for a vehicle, as shown and described.

DESCRIPTION

This application contains subject matter related to the following co-pending U.S. design patent applications:

Application Ser. No. 29/492,751, filed herewith and entitled "Vehicle, Toy, and/or Replicas Thereof".

FIG. 1 is a front view of a first embodiment of a rear bumper for a vehicle according to the design;

FIG. 2 is a left perspective view thereof;

FIG. 3 is a right perspective view thereof;

FIG. 4 is a left side view thereof;

FIG. 5 is a right side view thereof;

FIG. 6 is a top view thereof;

FIG. 7 is a bottom view thereof; and

FIG. 8 is a rear view thereof.

FIG. 9 is a front view of a second embodiment of the rear bumper for a vehicle according to the design;

FIG. 10 is a left perspective view thereof;

FIG. 11 is a right perspective view thereof;

FIG. 12 is a left side view thereof;

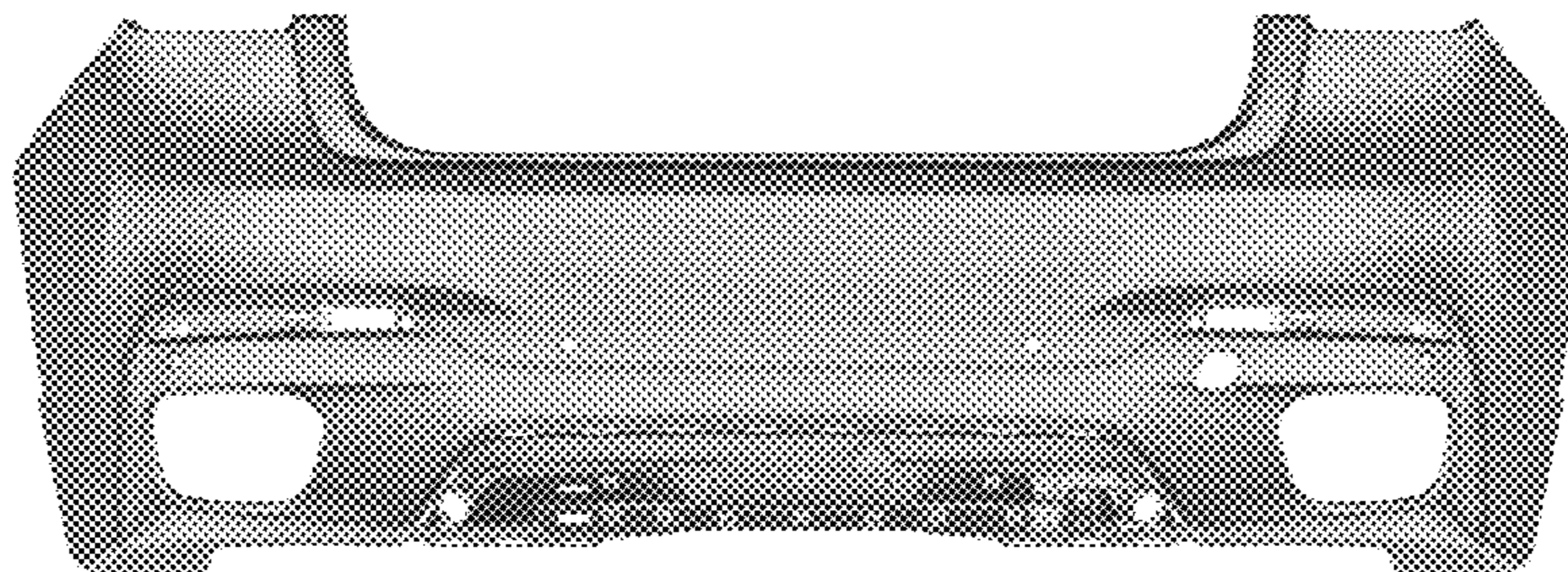
FIG. 13 is a right side view thereof;

FIG. 14 is a top view thereof;

FIG. 15 is a bottom view thereof; and,

FIG. 16 is a rear view thereof.

1 Claim, 16 Drawing Sheets



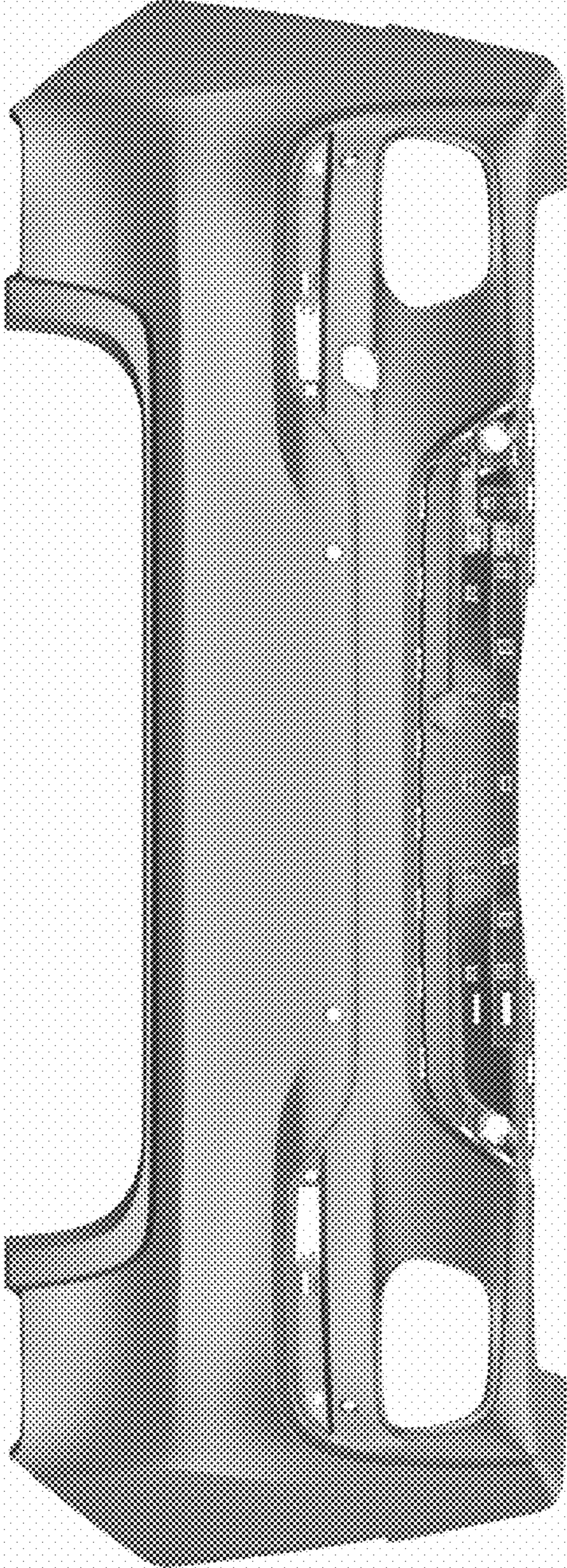


Fig. 1



Fig. 2



Fig. 3



Fig. 4

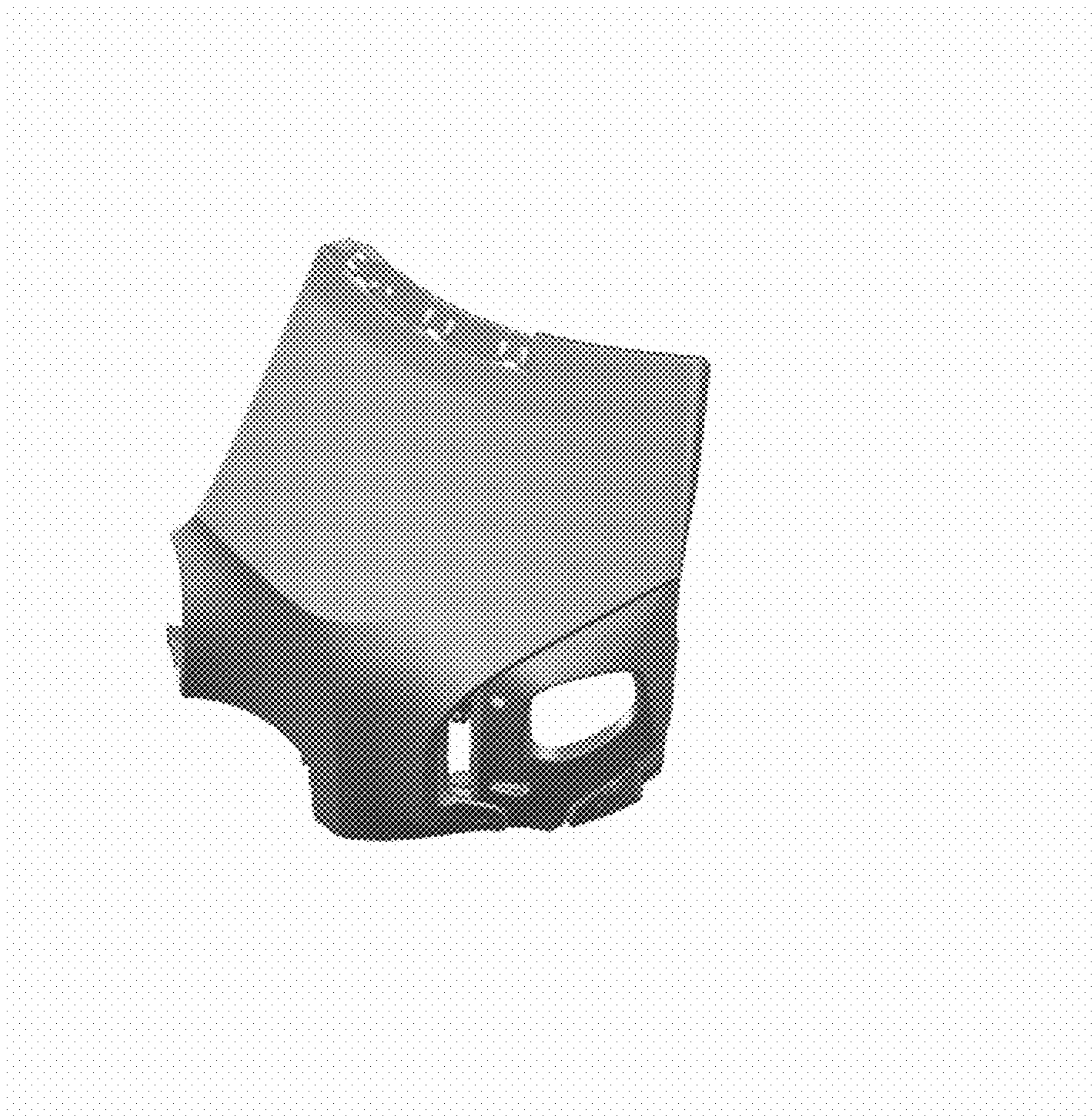


Fig. 5

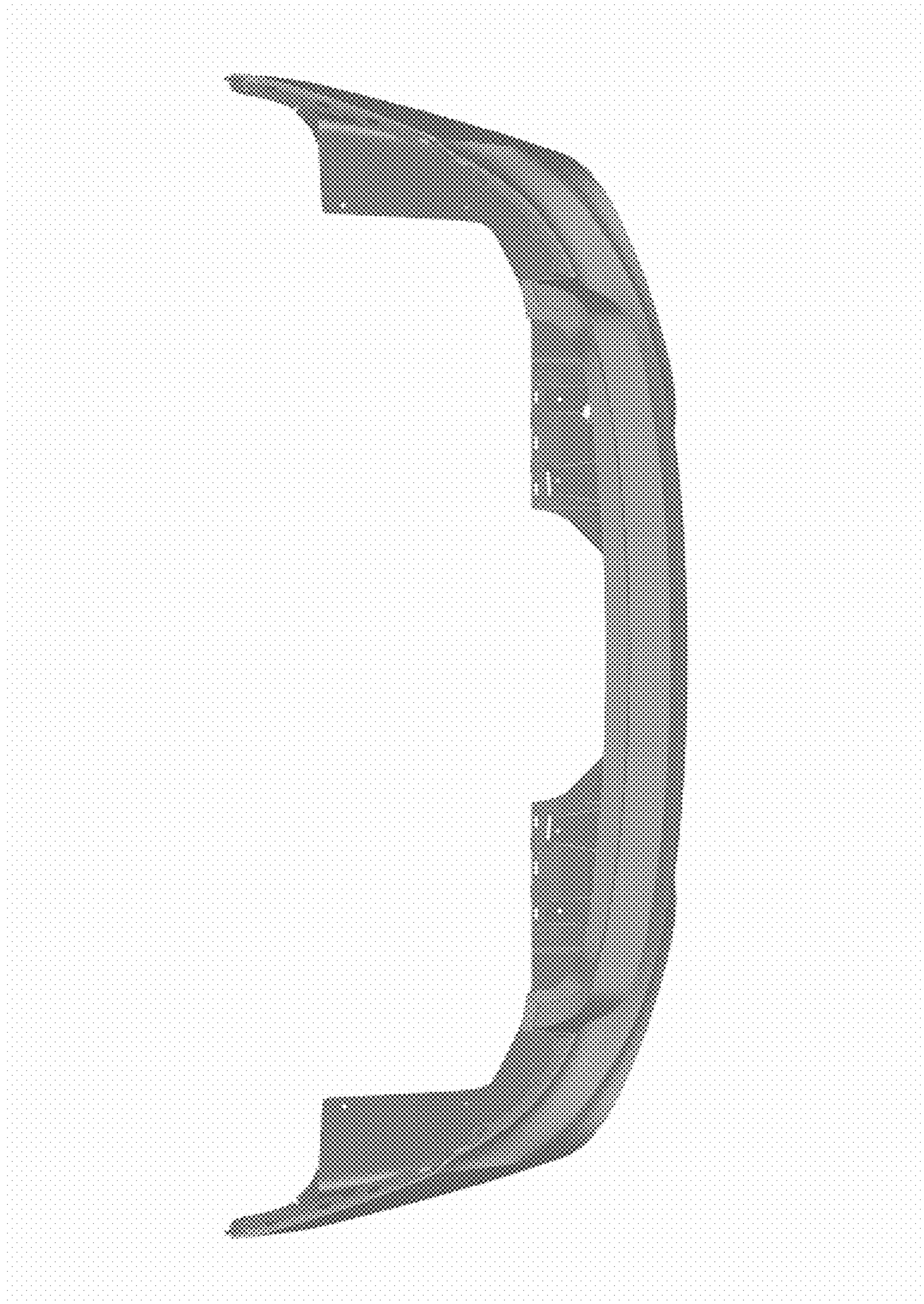


Fig. 6



Fig. 7

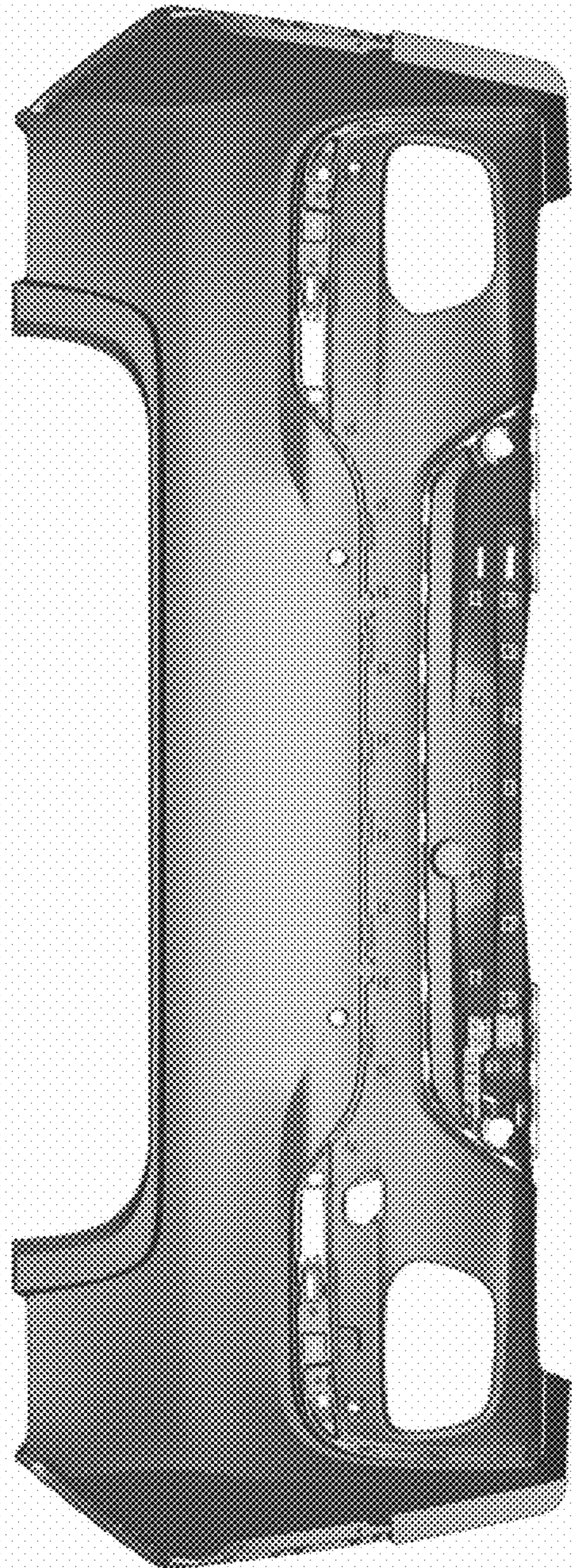


Fig. 8

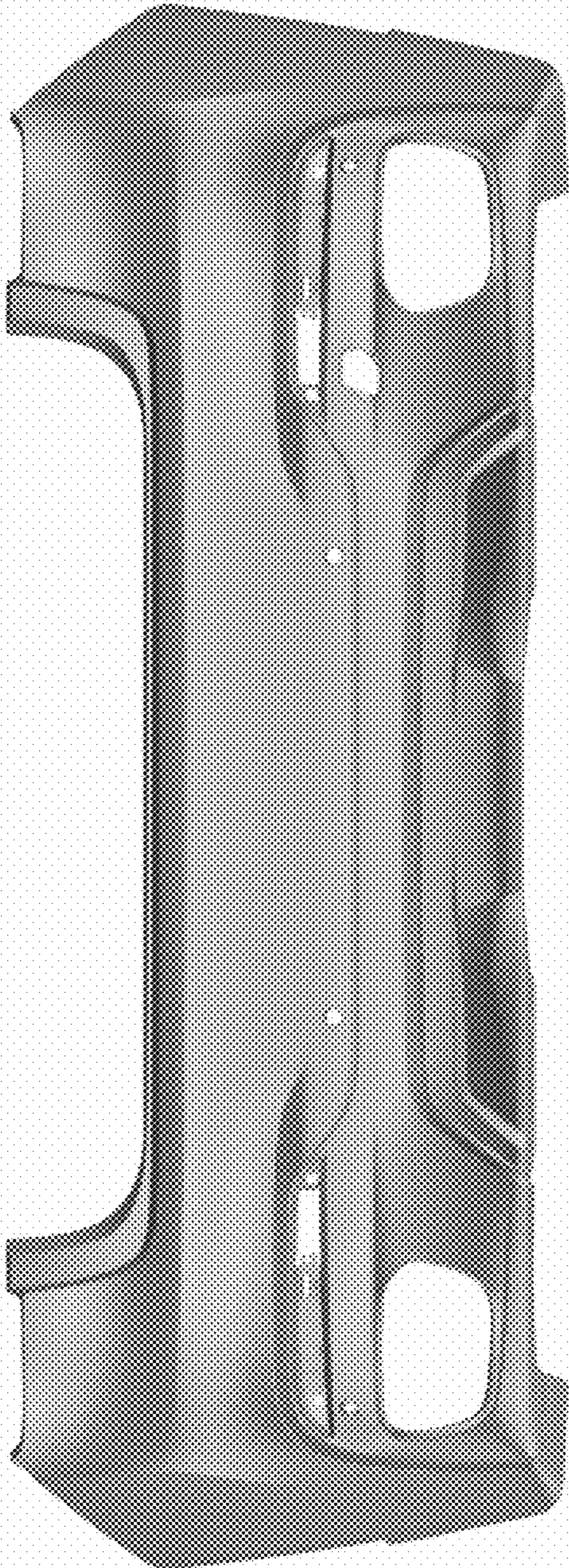


Fig. 9



Fig. 10



Fig. 11



Fig. 12



Fig. 13

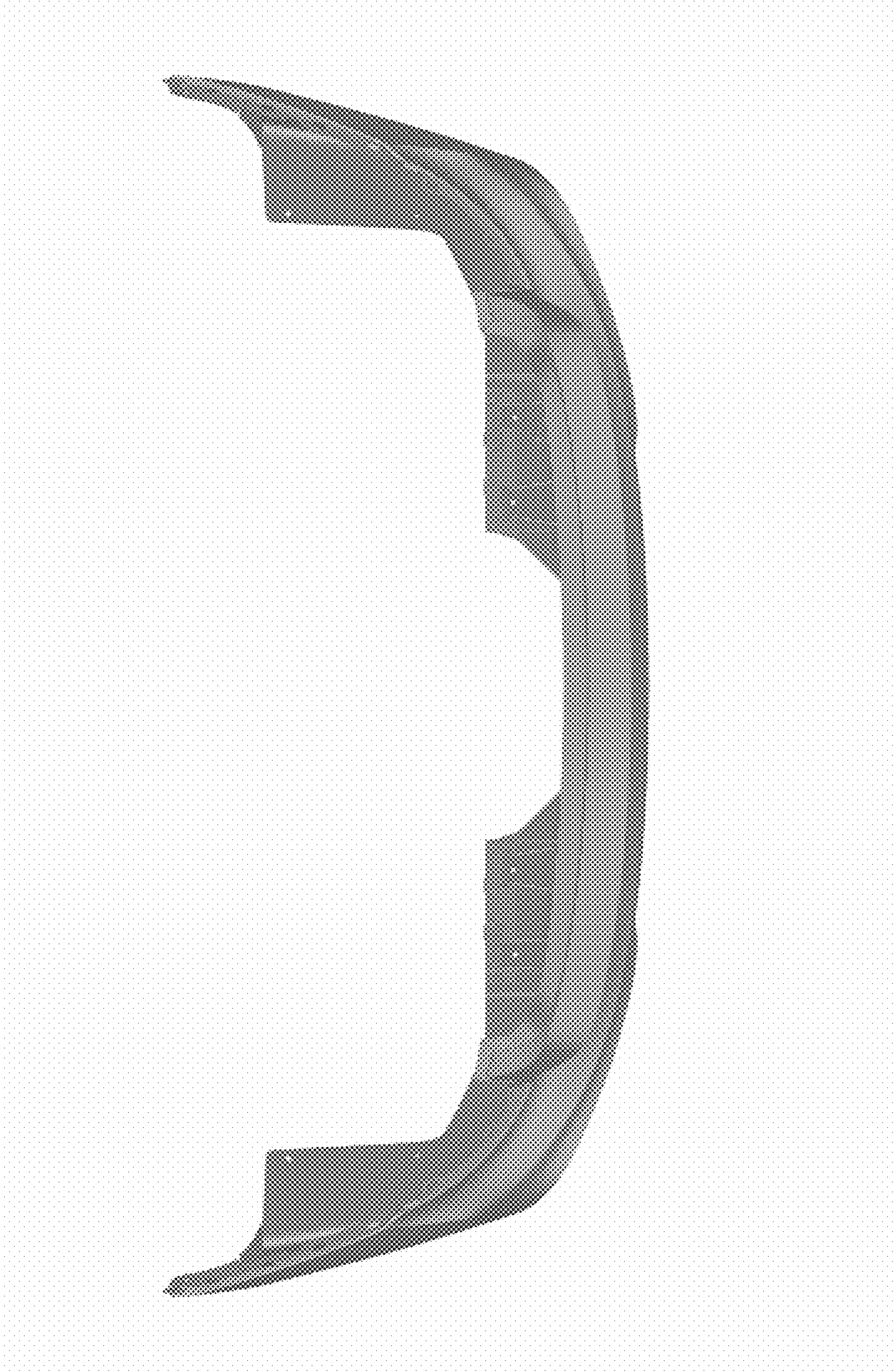


Fig. 14



Fig. 15

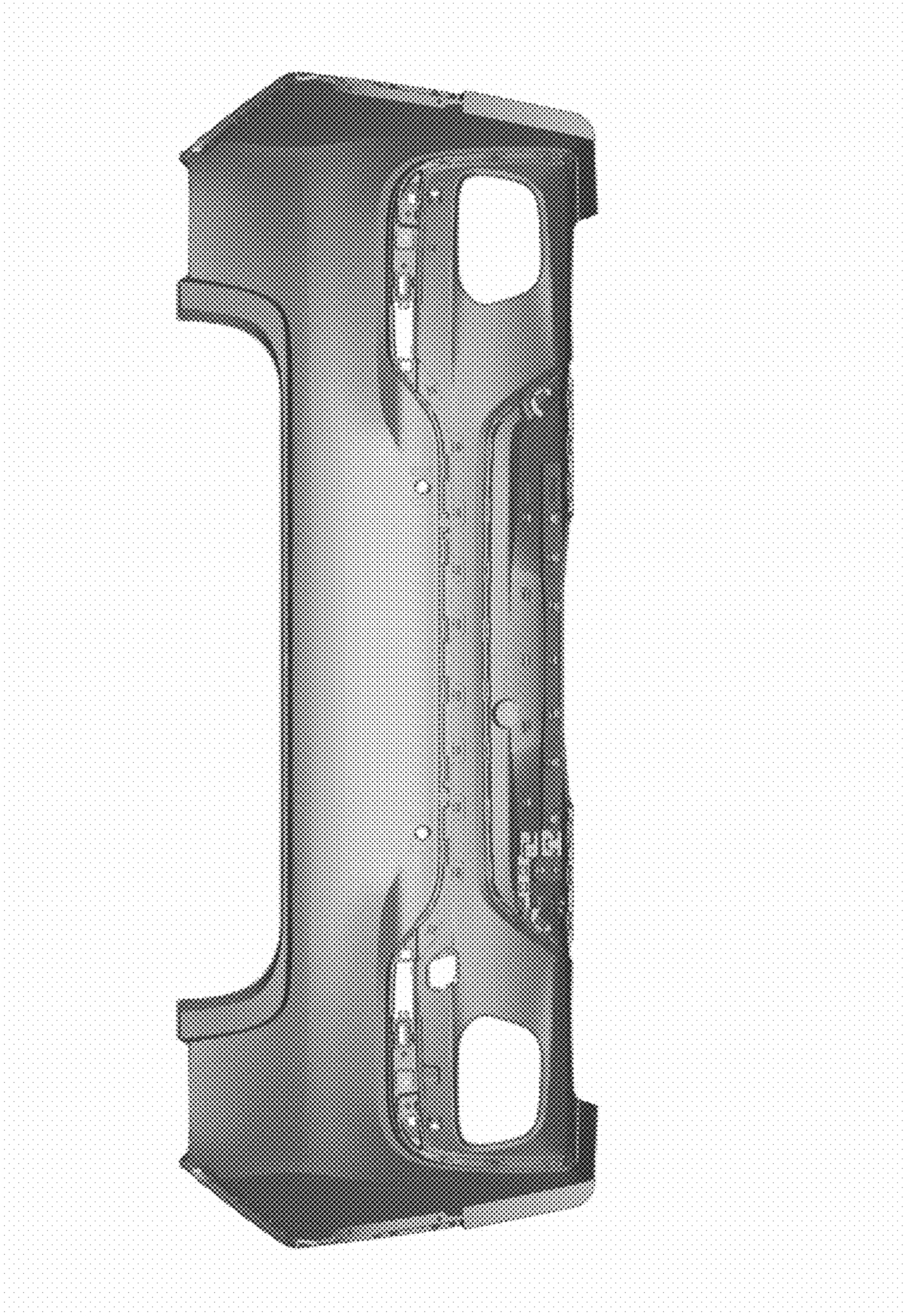


Fig. 16