



US00D744912S

(12) **United States Design Patent**  
**Leclercq**

(10) **Patent No.:** **US D744,912 S**  
(45) **Date of Patent:** **\*\* Dec. 8, 2015**

(54) **FRONT BUMPER FOR A VEHICLE**  
(71) Applicant: **Bayerische Motoren Werke Aktiengesellschaft, Munich (DE)**  
(72) Inventor: **Pierre Leclercq, Munich (DE)**  
(73) Assignee: **Bayerische Motoren Werke Aktiengesellschaft, Munich (DE)**

D713,767 S \* 9/2014 Selvaag ..... D12/169  
D716,199 S \* 10/2014 Beermann ..... D12/169  
D735,096 S \* 7/2015 Nissl ..... D12/169

(\*\*) Term: **14 Years**  
(21) Appl. No.: **29/492,752**  
(22) Filed: **Jun. 3, 2014**

**FOREIGN PATENT DOCUMENTS**

WO DM/079907 7/2013  
WO DM/080113 8/2013

\* cited by examiner

*Primary Examiner* — Melody N Brown  
(74) *Attorney, Agent, or Firm* — Crowell & Moring LLP

(30) **Foreign Application Priority Data**  
Dec. 4, 2013 (DE) ..... 40 2013 101 224  
(51) **LOC (10) Cl.** ..... **12-16**  
(52) **U.S. Cl.**  
USPC ..... **D12/169**  
(58) **Field of Classification Search**  
USPC ..... D12/169, 216, 90-92, 86, 171, 196,  
D12/163; 293/102, 113, 115, 117, 120;  
296/180.1, 180.2  
CPC . B60R 19/52; B60R 2019/25; B62D 25/0845  
See application file for complete search history.

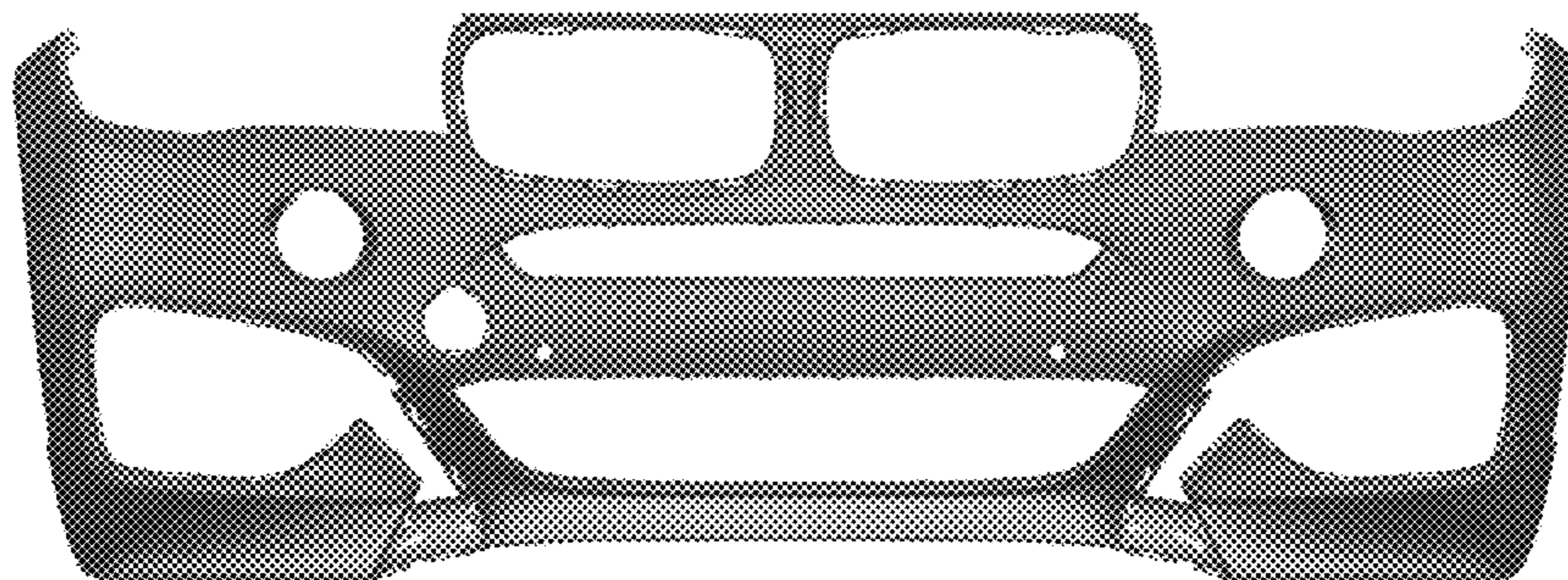
(57) **CLAIM**  
The ornamental design for a front bumper for a vehicle, as shown and described.

**DESCRIPTION**

This application contains subject matter related to the following U.S. design patent applications: Application Ser. No. 29/492,751, filed herewith and entitled "Vehicle, Toy, and/or Replicas Thereof". FIG. 1 is a front view of a first embodiment of a front bumper for a vehicle according to the design; FIG. 2 is a right perspective view thereof; FIG. 3 is a left perspective view thereof; FIG. 4 is a right side view thereof; FIG. 5 is a left side view thereof; FIG. 6 is a top view thereof; FIG. 7 is a bottom view thereof; and FIG. 8 is a rear view thereof; FIG. 9 is a front view of a second embodiment of the front bumper for a vehicle according to the design; FIG. 10 is a right perspective view thereof; FIG. 11 is a left perspective view thereof; FIG. 12 is a right side view thereof; FIG. 13 is a left side view thereof; FIG. 14 is a top view thereof; FIG. 15 is a bottom view thereof; and FIG. 16 is a rear view thereof.

(56) **References Cited**  
**U.S. PATENT DOCUMENTS**  
D570,261 S \* 6/2008 Baum ..... D12/169  
D606,465 S \* 12/2009 Weil ..... D12/169  
D620,843 S \* 8/2010 Froehlich ..... D12/92  
D669,402 S \* 10/2012 Elmitt ..... D12/169  
D670,625 S \* 11/2012 Frei et al. .... D12/169  
D675,139 S \* 1/2013 Yamamoto et al. .... D12/169  
D678,141 S \* 3/2013 Behmer et al. .... D12/169  
D687,356 S \* 8/2013 Weil ..... D12/169  
D692,811 S \* 11/2013 Johnson ..... D12/169  
D702,160 S \* 4/2014 Miyazawa ..... D12/169  
D712,799 S \* 9/2014 Kang ..... D12/169

**1 Claim, 16 Drawing Sheets**



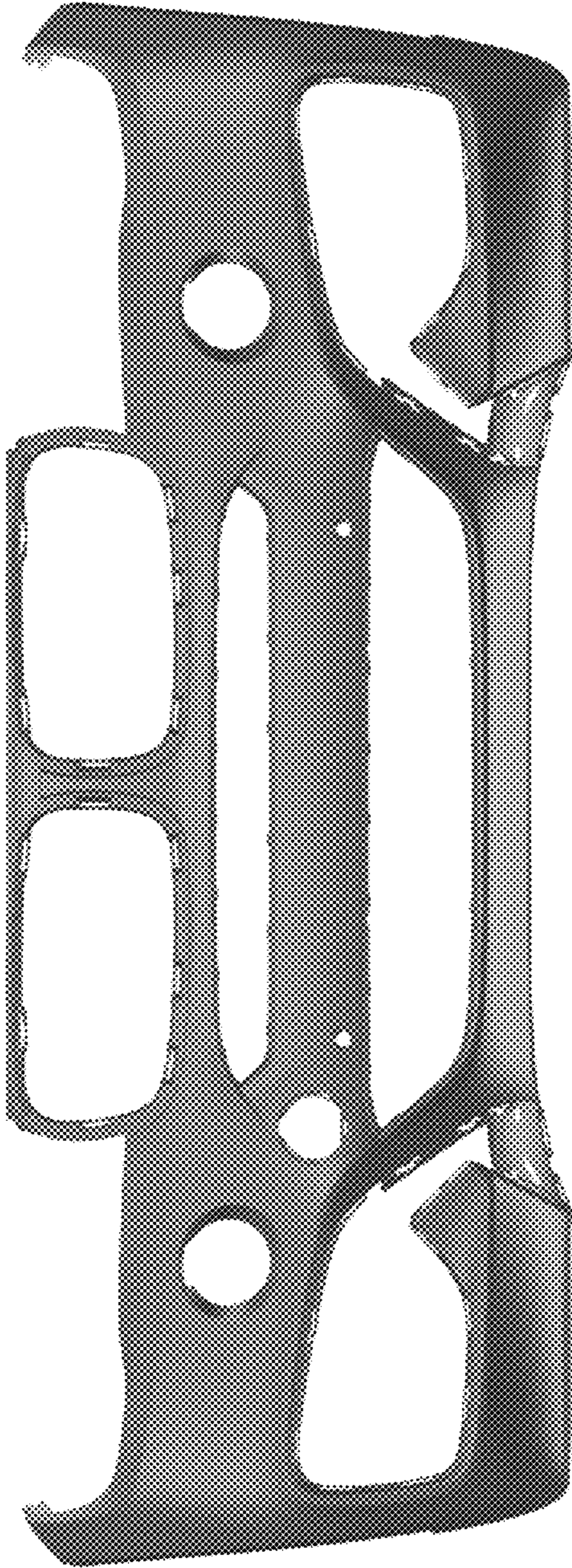


Fig. 1



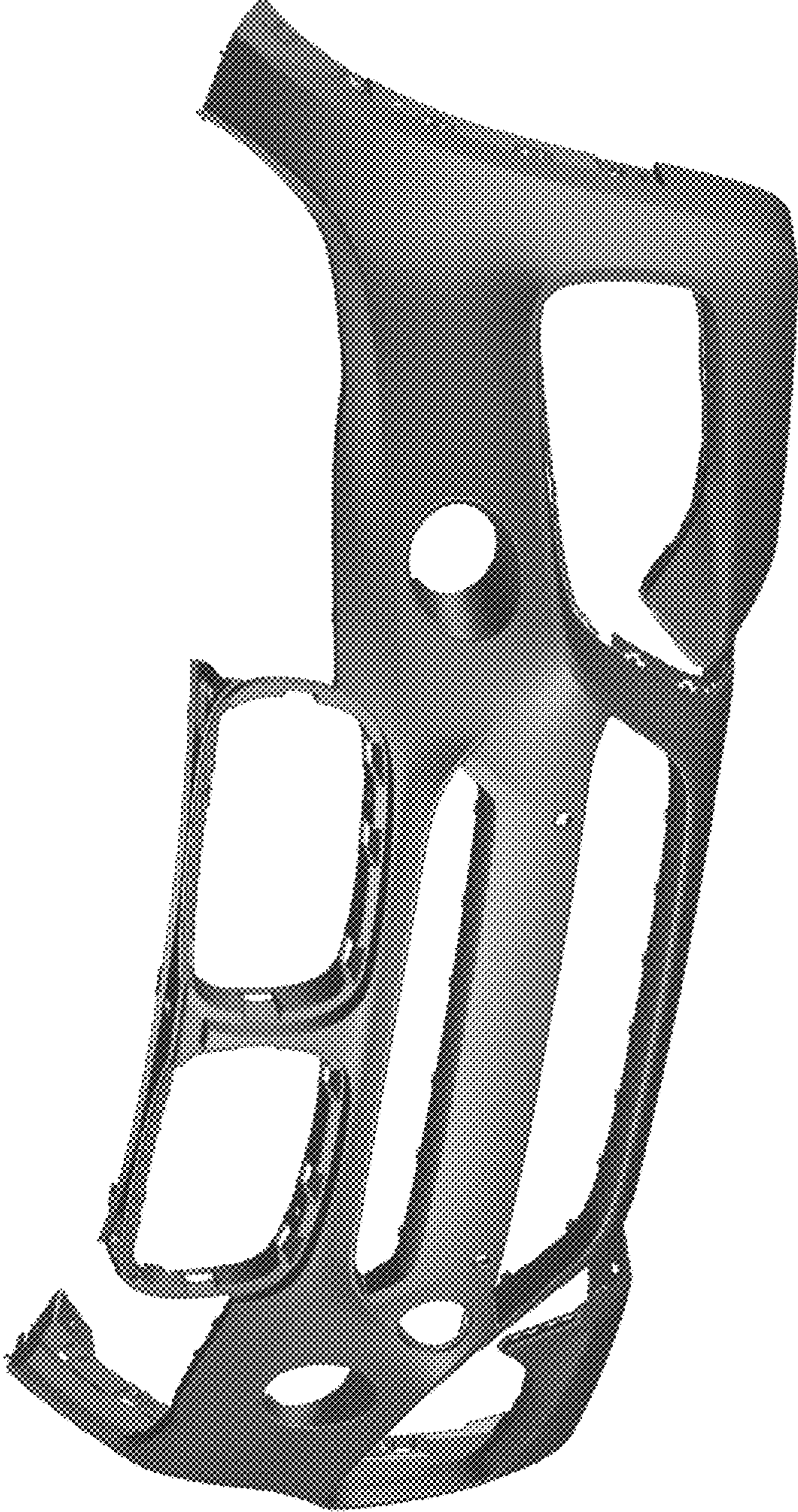


Fig. 2



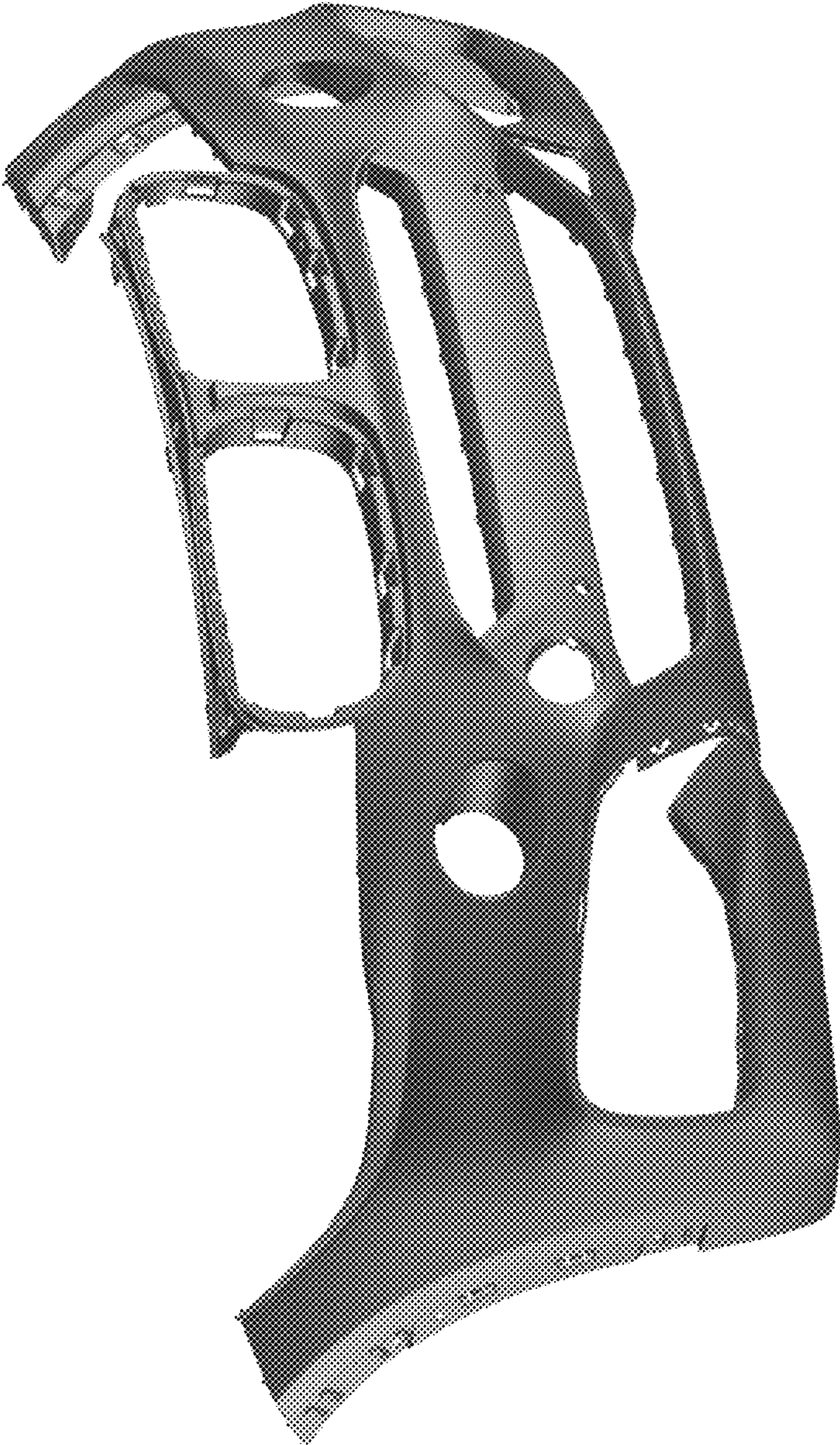


Fig. 3

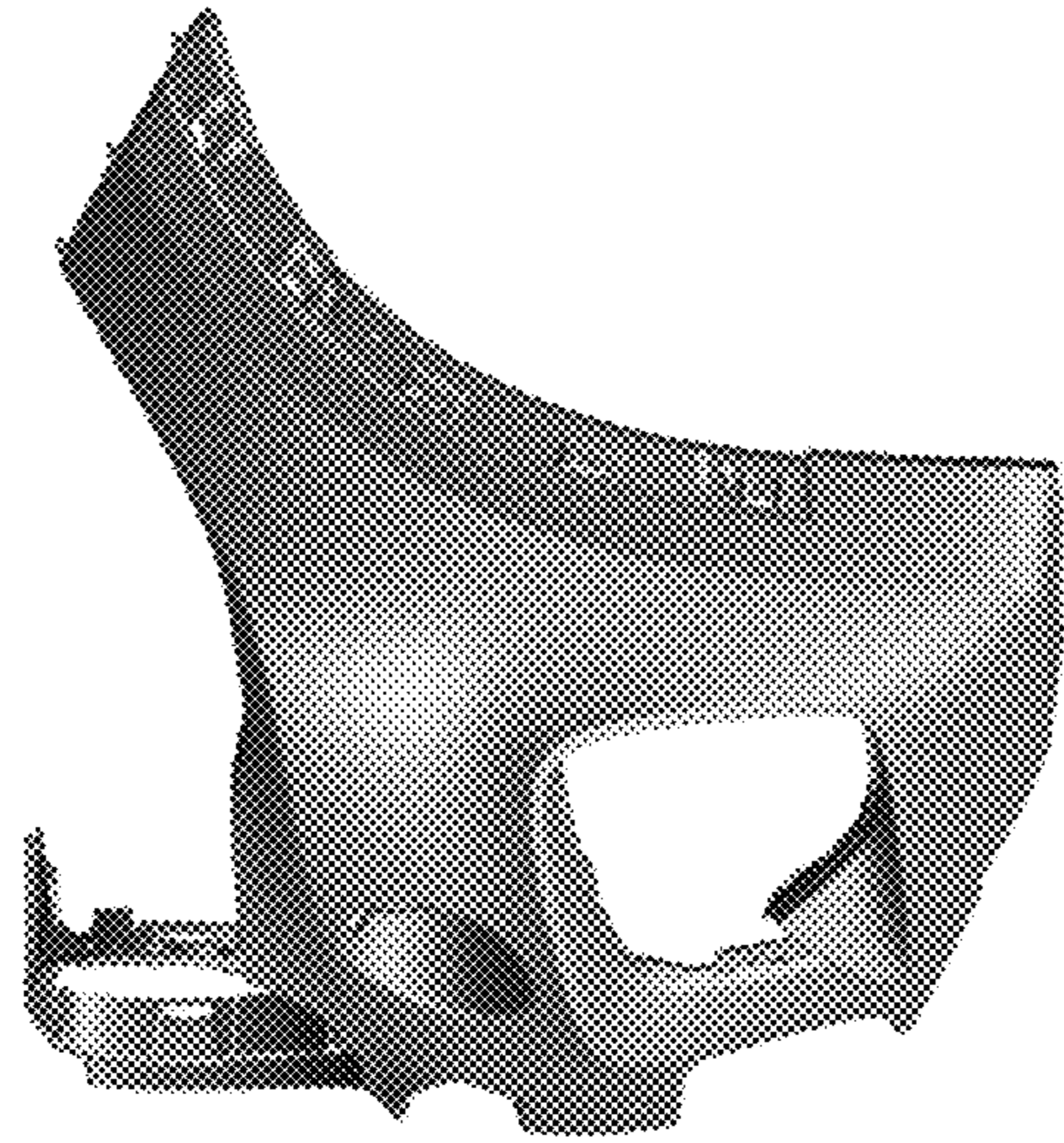


Fig. 4



Fig. 5



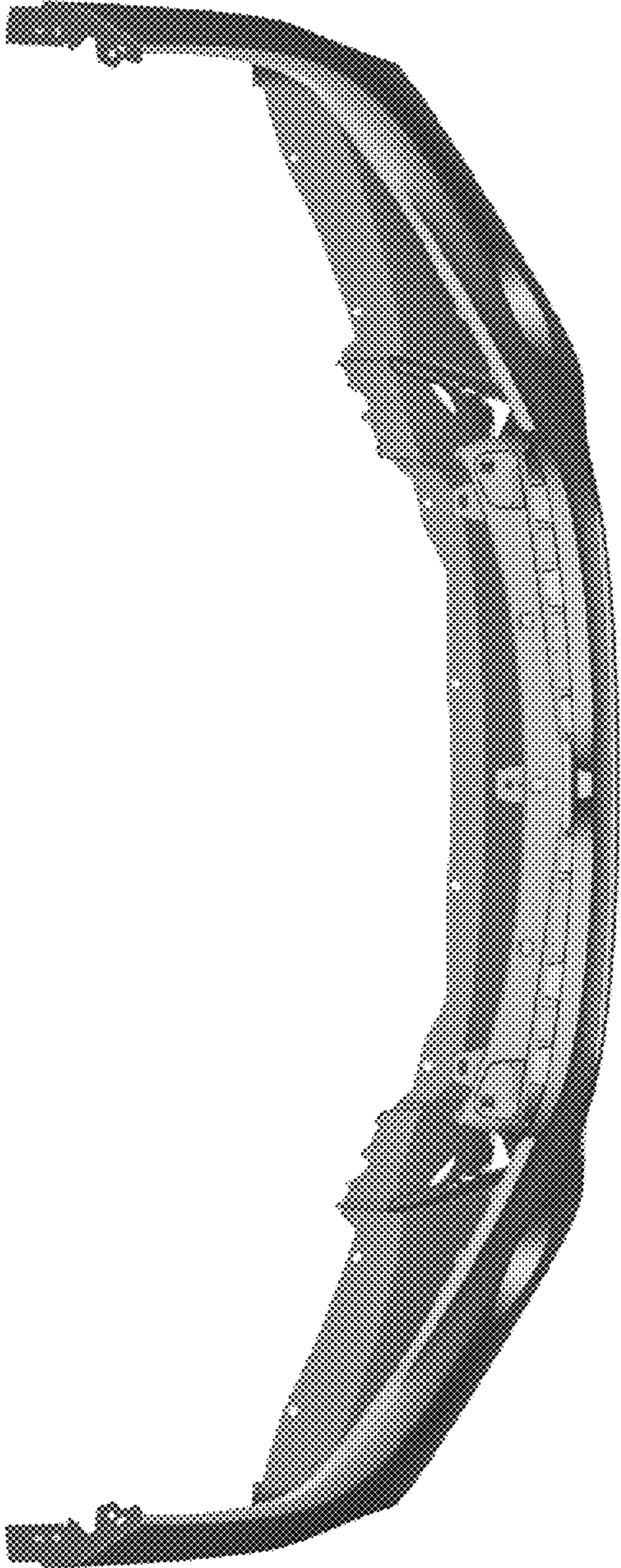


Fig. 6

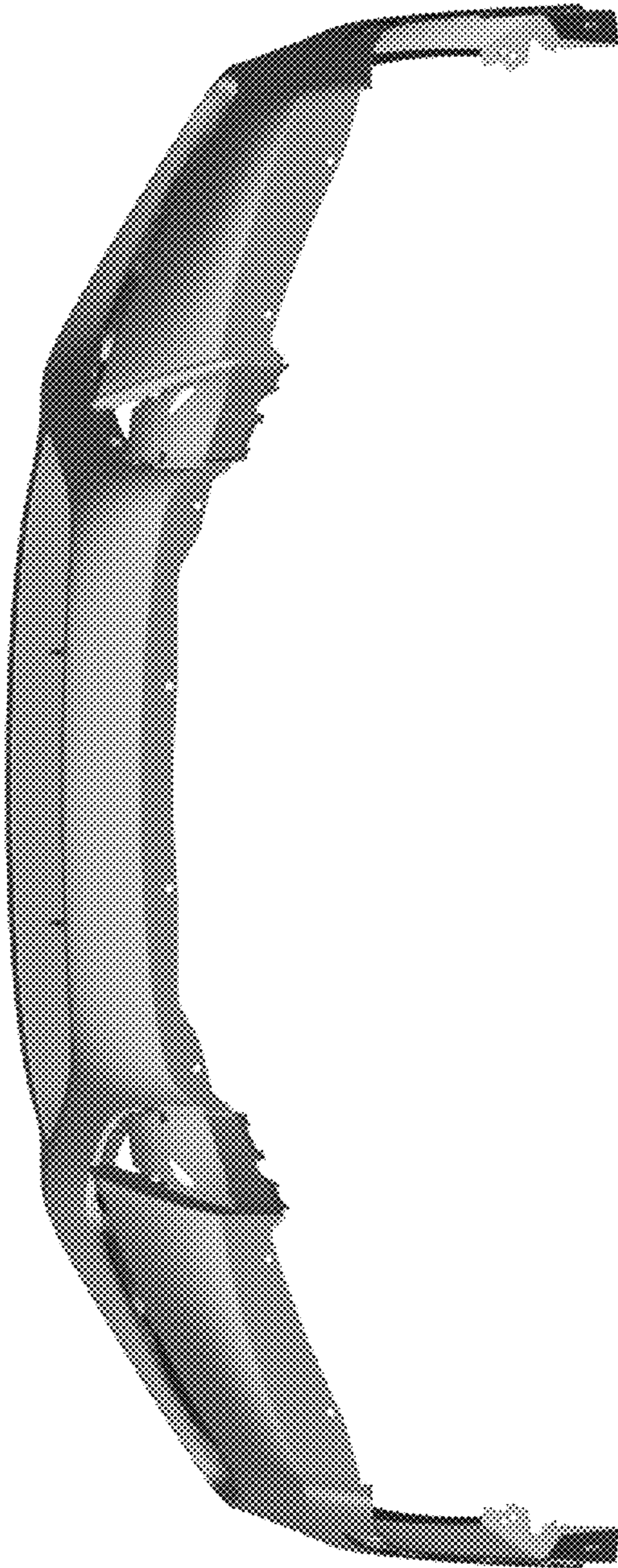


Fig. 7



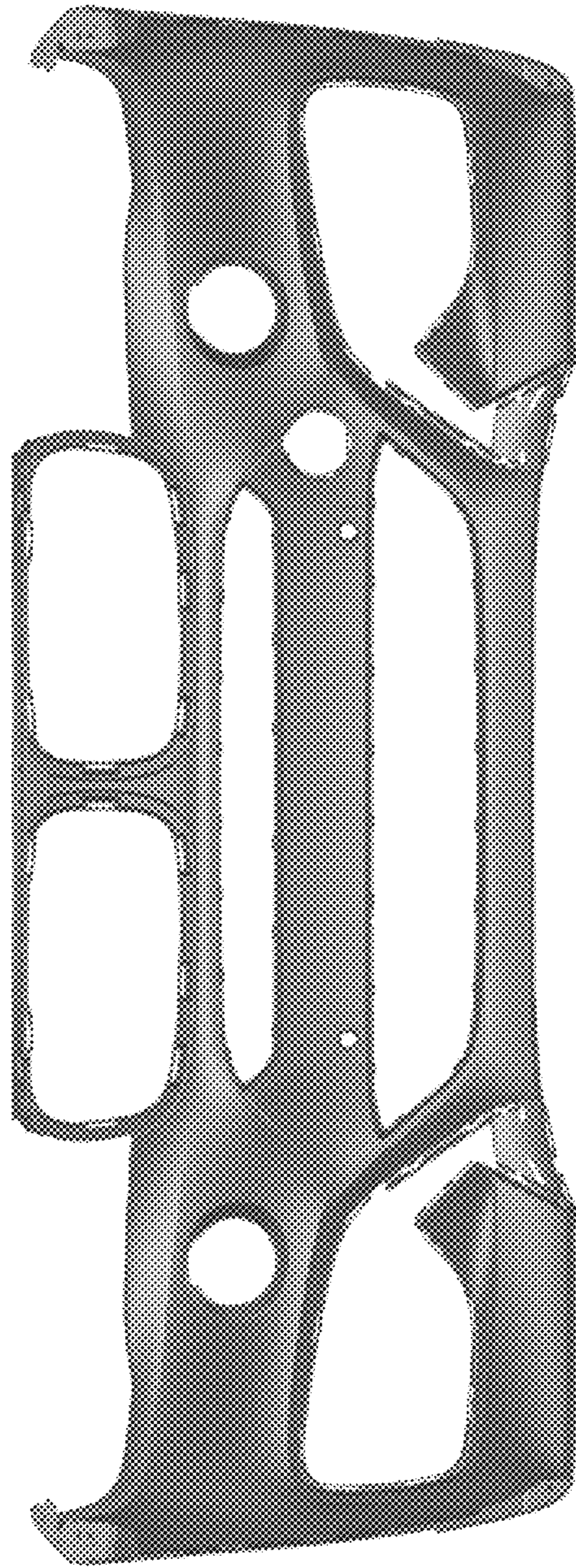


Fig. 8

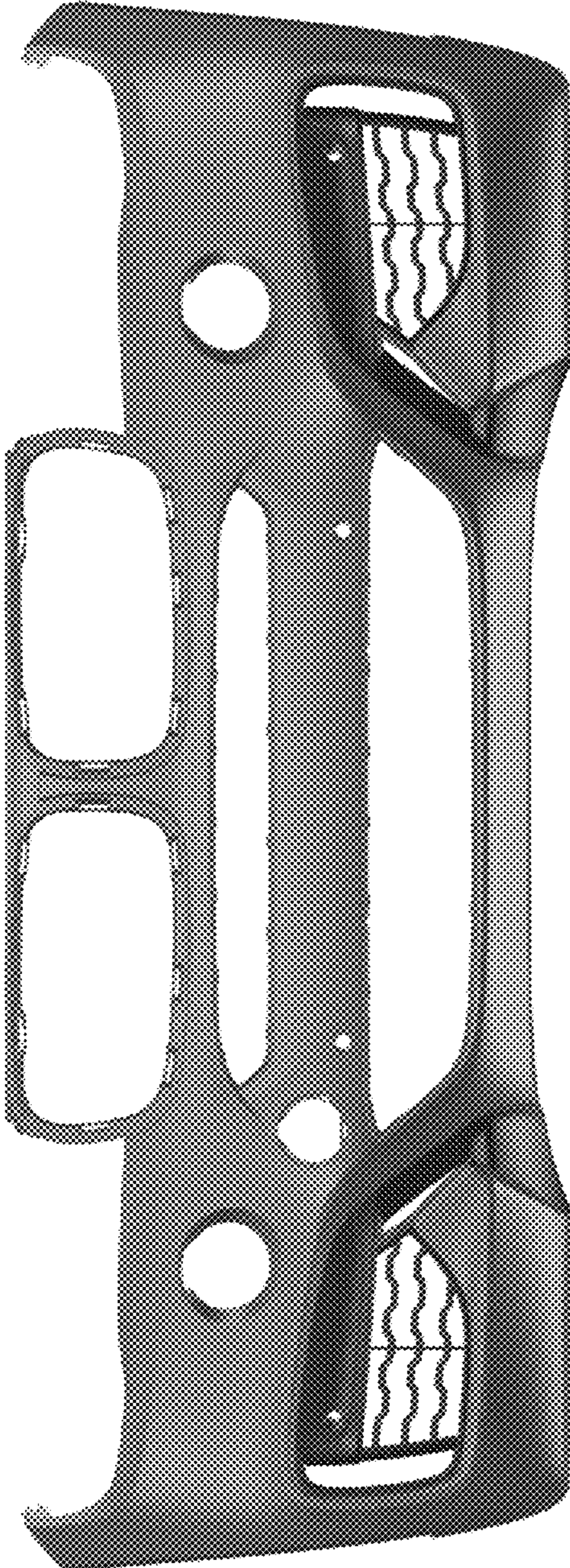


Fig. 9



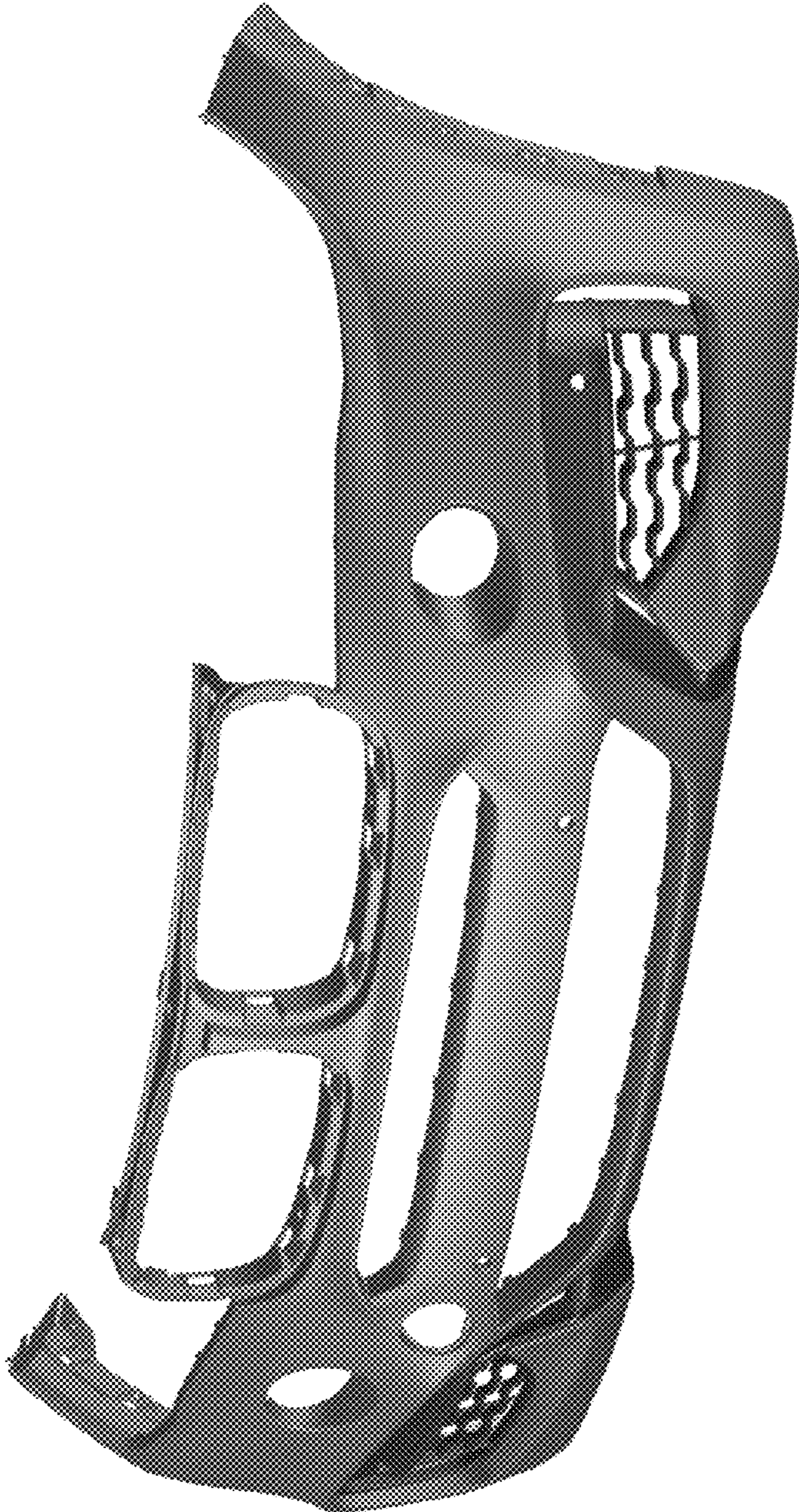


Fig. 10





Fig. 11



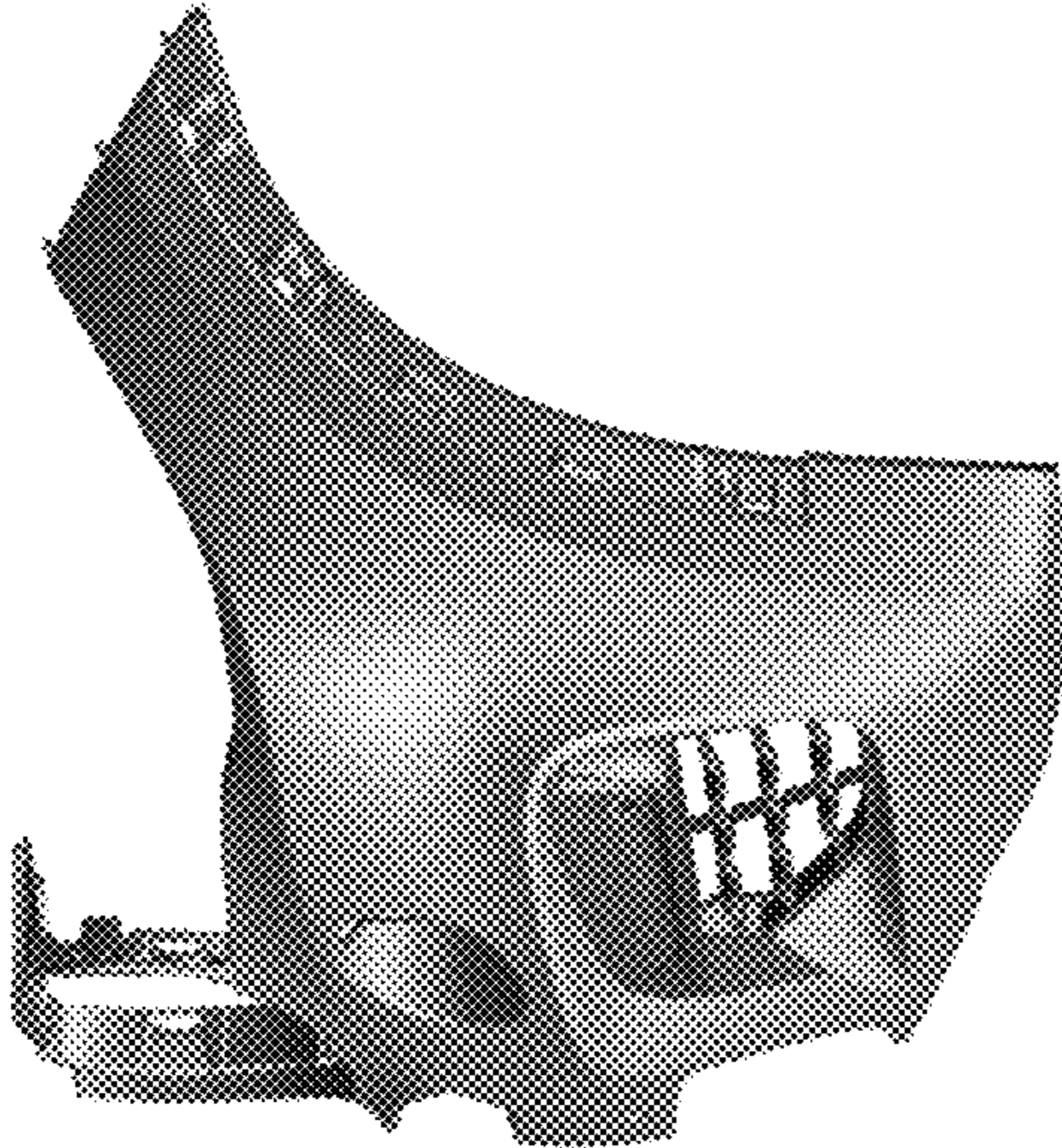


Fig. 12



Fig. 13



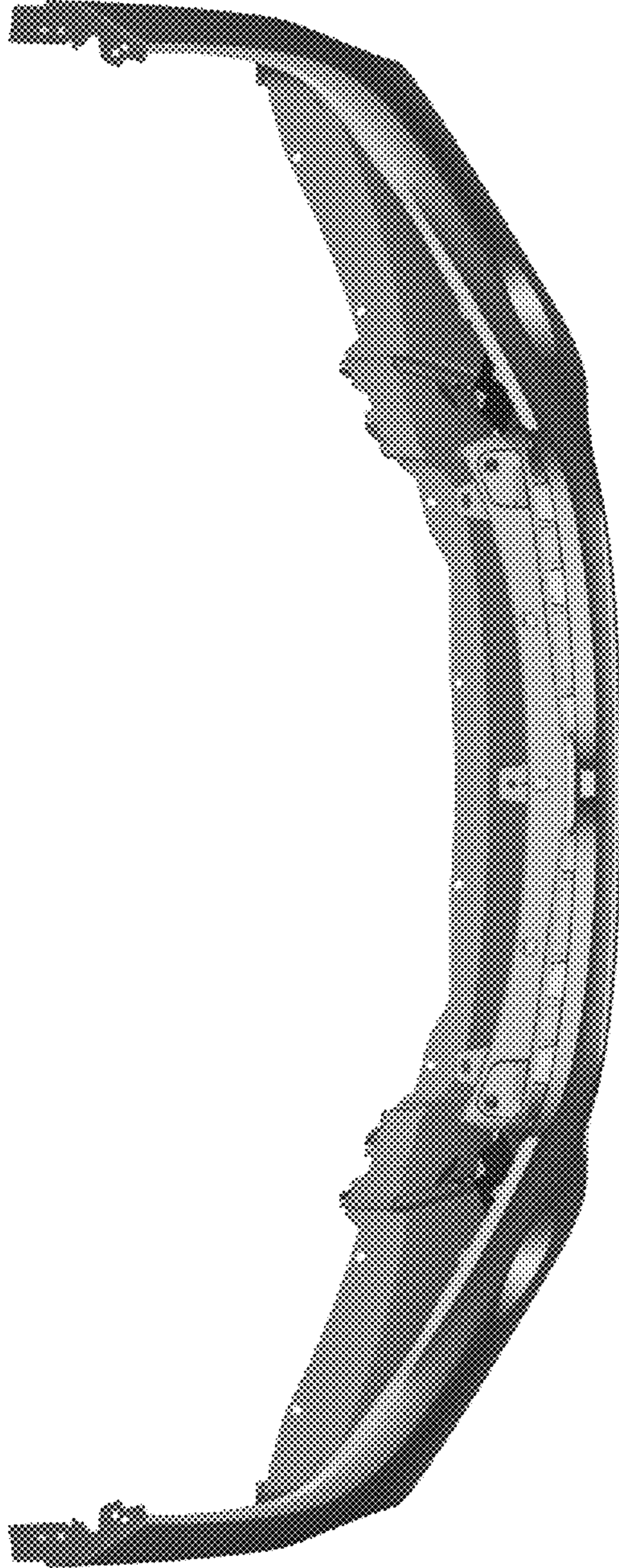


Fig. 14

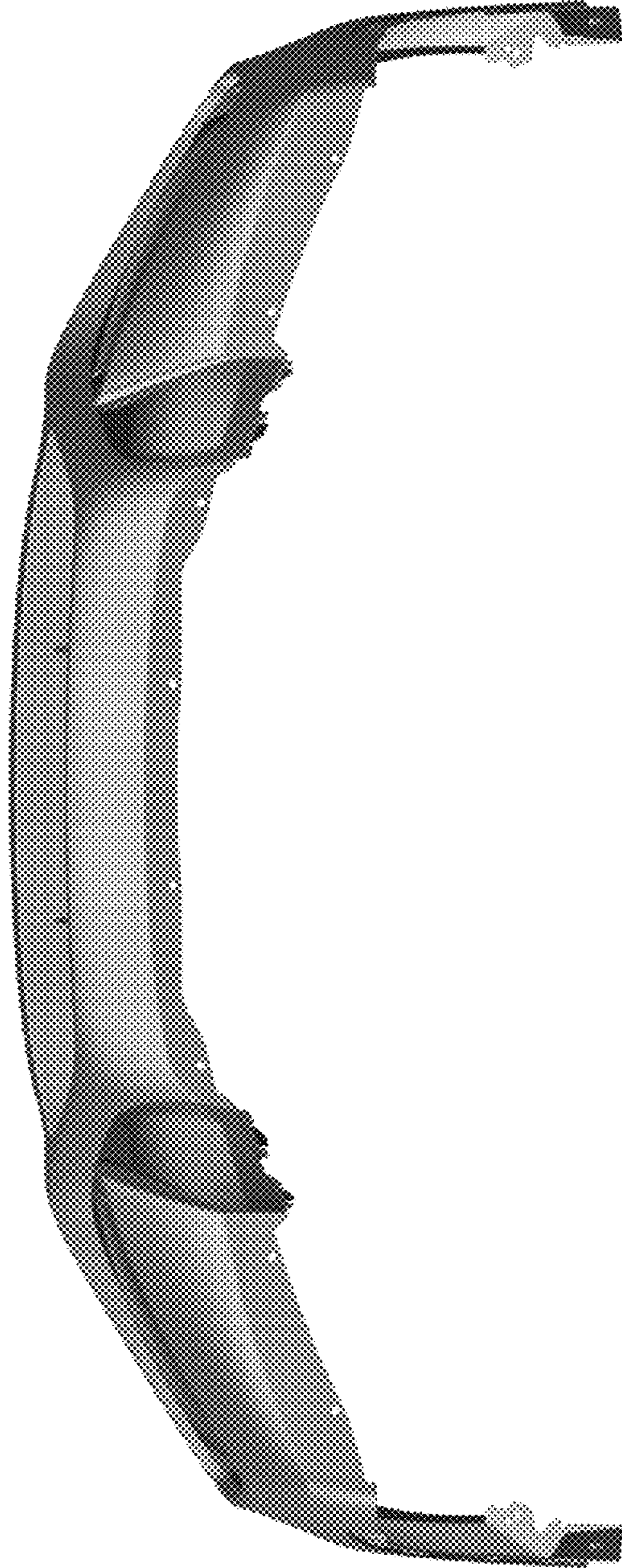


Fig. 15



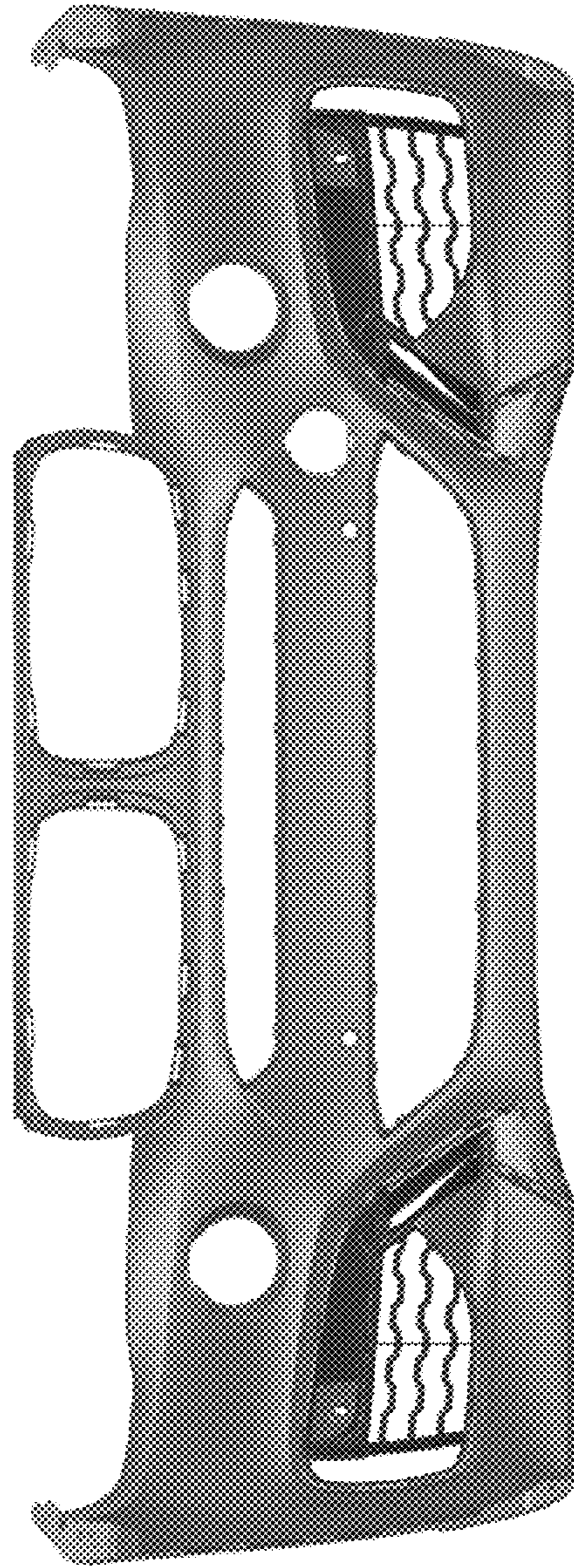


Fig. 16