



US00D744911S

(12) **United States Design Patent**  
**Najarro**

(10) **Patent No.:** **US D744,911 S**

(45) **Date of Patent:** **\*\* Dec. 8, 2015**

(54) **TOW HOOK**

(71) Applicant: **Marco A. Najarro**, San Jose, CA (US)

(72) Inventor: **Marco A. Najarro**, San Jose, CA (US)

(\*\*) Term: **14 Years**

(21) Appl. No.: **29/508,134**

(22) Filed: **Nov. 3, 2014**

(51) **LOC (10) Cl.** ..... **12-16**

(52) **U.S. Cl.**  
USPC ..... **D12/162**

(58) **Field of Classification Search**  
USPC ..... D12/162, 159, 160, 161  
CPC ..... B60D 1/065; B60D 1/00; B60D 1/60;  
B60D 1/06  
See application file for complete search history.

(56) **References Cited**

**U.S. PATENT DOCUMENTS**

D502,089 S *	2/2005	Hung	.....	D8/367
D563,838 S *	3/2008	McCowan	.....	D12/162
D583,654 S *	12/2008	Uehara	.....	D8/367
D598,817 S	8/2009	Najarro	.....	
D633,417 S *	3/2011	Najarro	.....	D12/162
D656,868 S *	4/2012	Jansen, III	.....	D12/162
D687,746 S *	8/2013	Terpsma	.....	D12/162
D687,748 S *	8/2013	Terpsma	.....	D12/162
D688,169 S *	8/2013	Terpsma	.....	D12/162

D695,652 S *	12/2013	In	.....	D12/162
2002/0152593 A1 *	10/2002	Hong	.....	F16B 45/02 24/599.1
2005/0017327 A1 *	1/2005	Forbes	.....	G11C 7/02 257/622
2007/0126251 A1 *	6/2007	Olson	.....	B66C 1/36 294/82.17
2010/0117386 A1 *	5/2010	Ying	.....	B66C 1/66 294/215

\* cited by examiner

*Primary Examiner* — Katrina A Betton

(74) *Attorney, Agent, or Firm* — Thomas Schneck

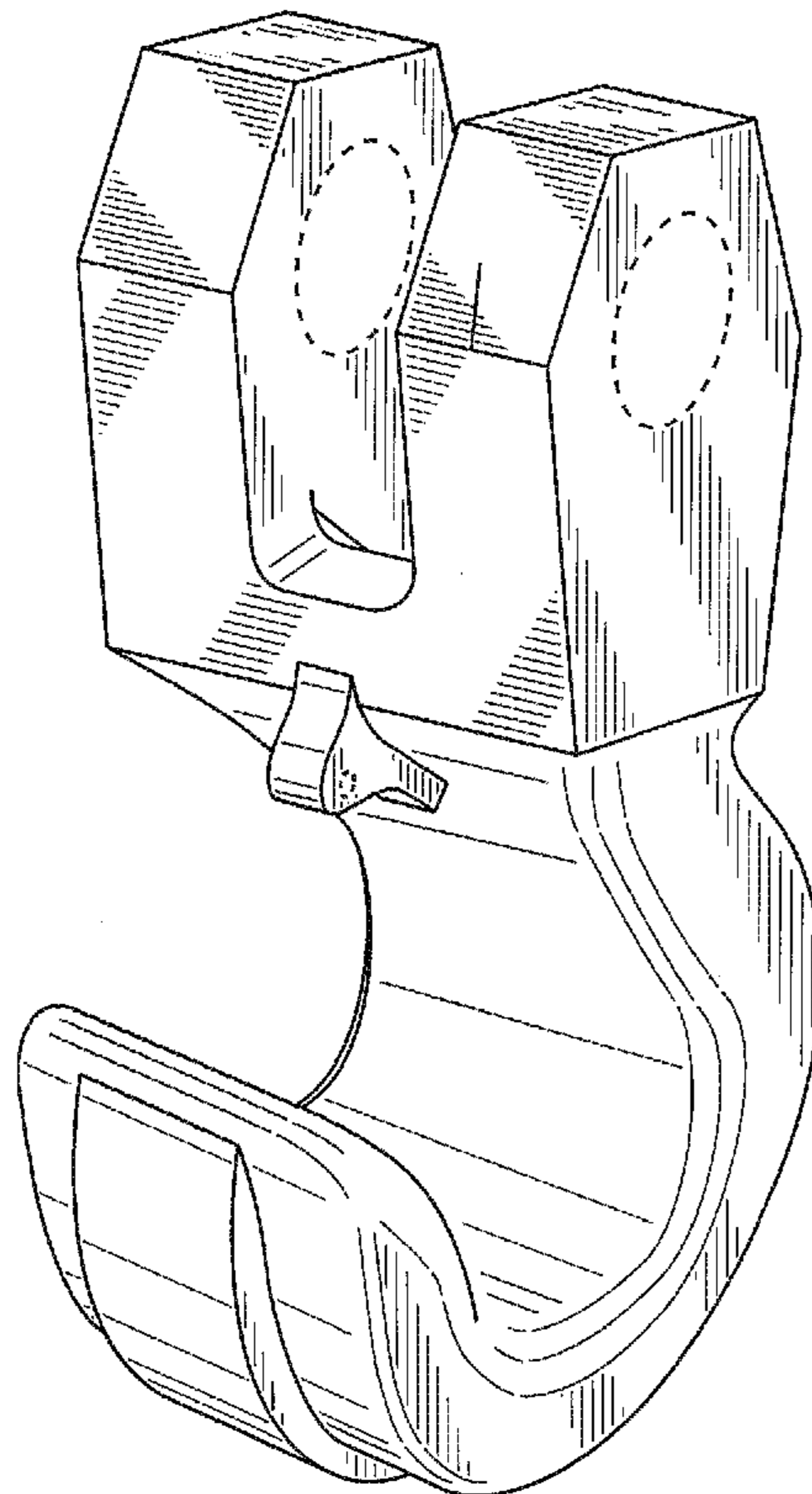
(57) **CLAIM**

I claim the design for a tow hook, as shown and described.

**DESCRIPTION**

FIG. 1 is a perspective view of a tow hook of my design;  
 FIG. 2 is an enlarged perspective view of the tow hook of FIG. 1;  
 FIG. 3 is an enlarged perspective view of the tow hook of FIG. 1;  
 FIG. 4 is a top view thereof;  
 FIG. 5 is a right side view thereof, the left side view is a mirror image of the right side view;  
 FIG. 6 is a bottom view thereof;  
 FIG. 7 is a rear end view thereof; and,  
 FIG. 8 is a front end view thereof.  
 The dashed lines indicate or depict environmental aspects of my design and are not claimed as part of my design.

**1 Claim, 5 Drawing Sheets**



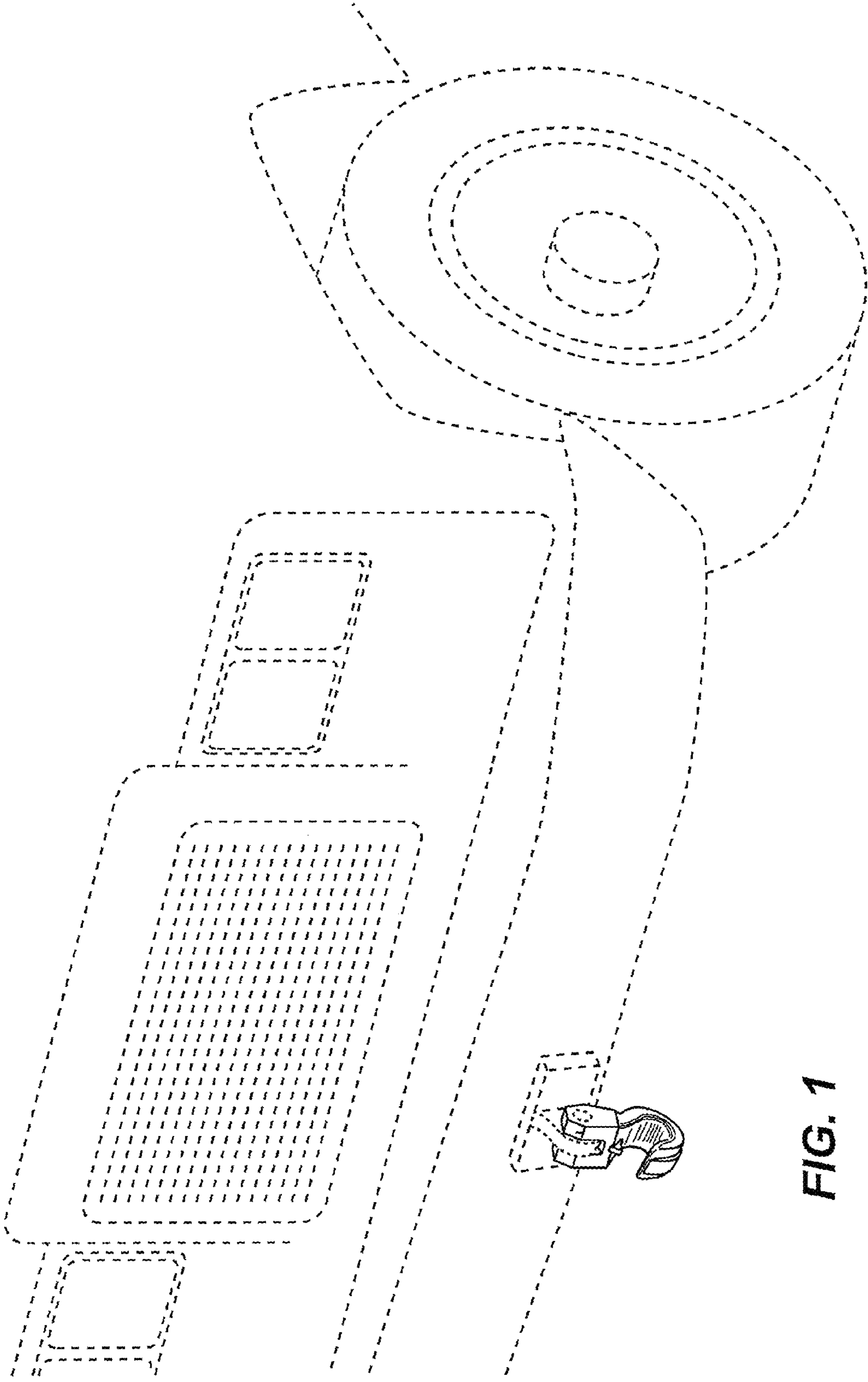
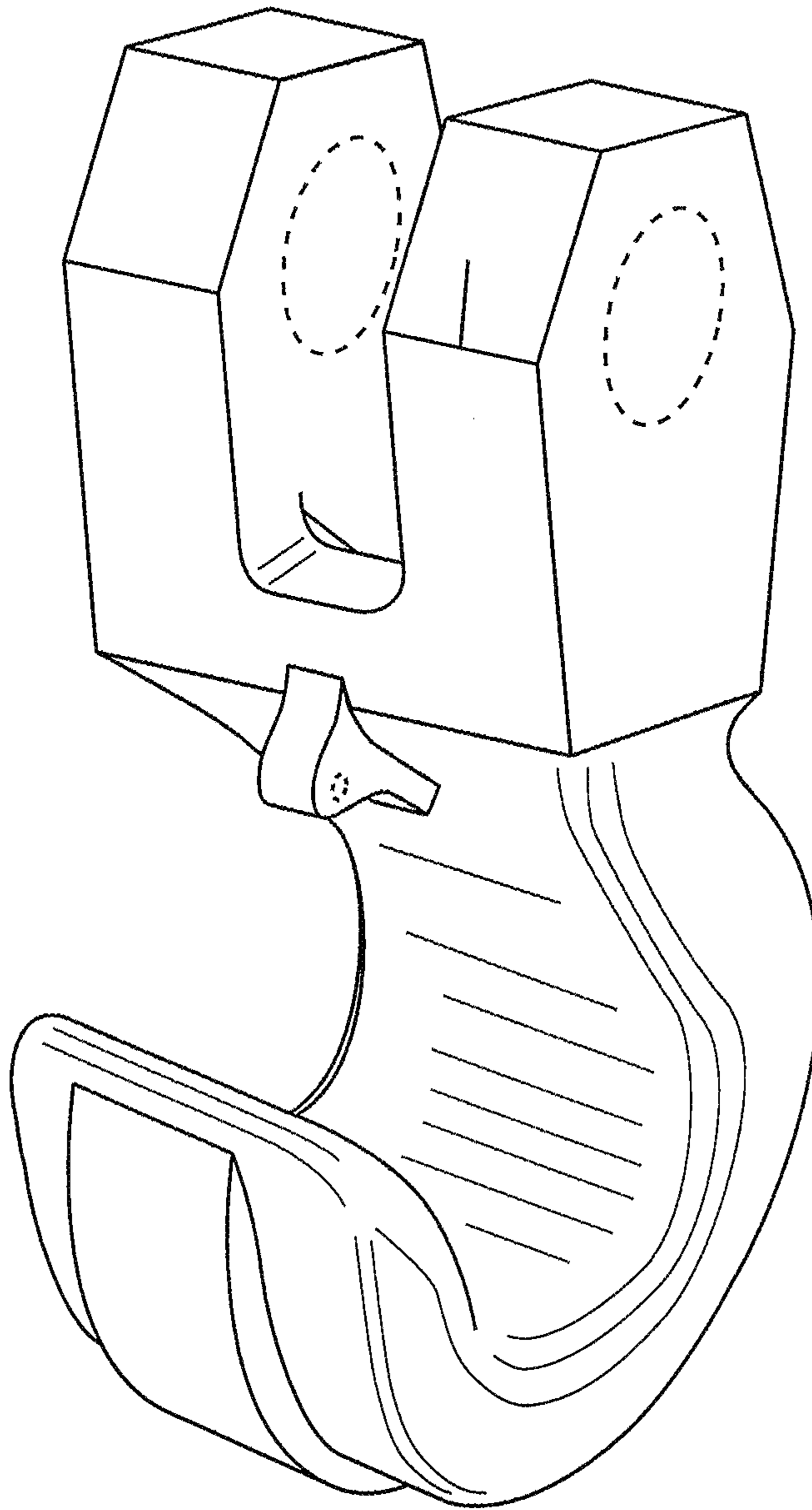
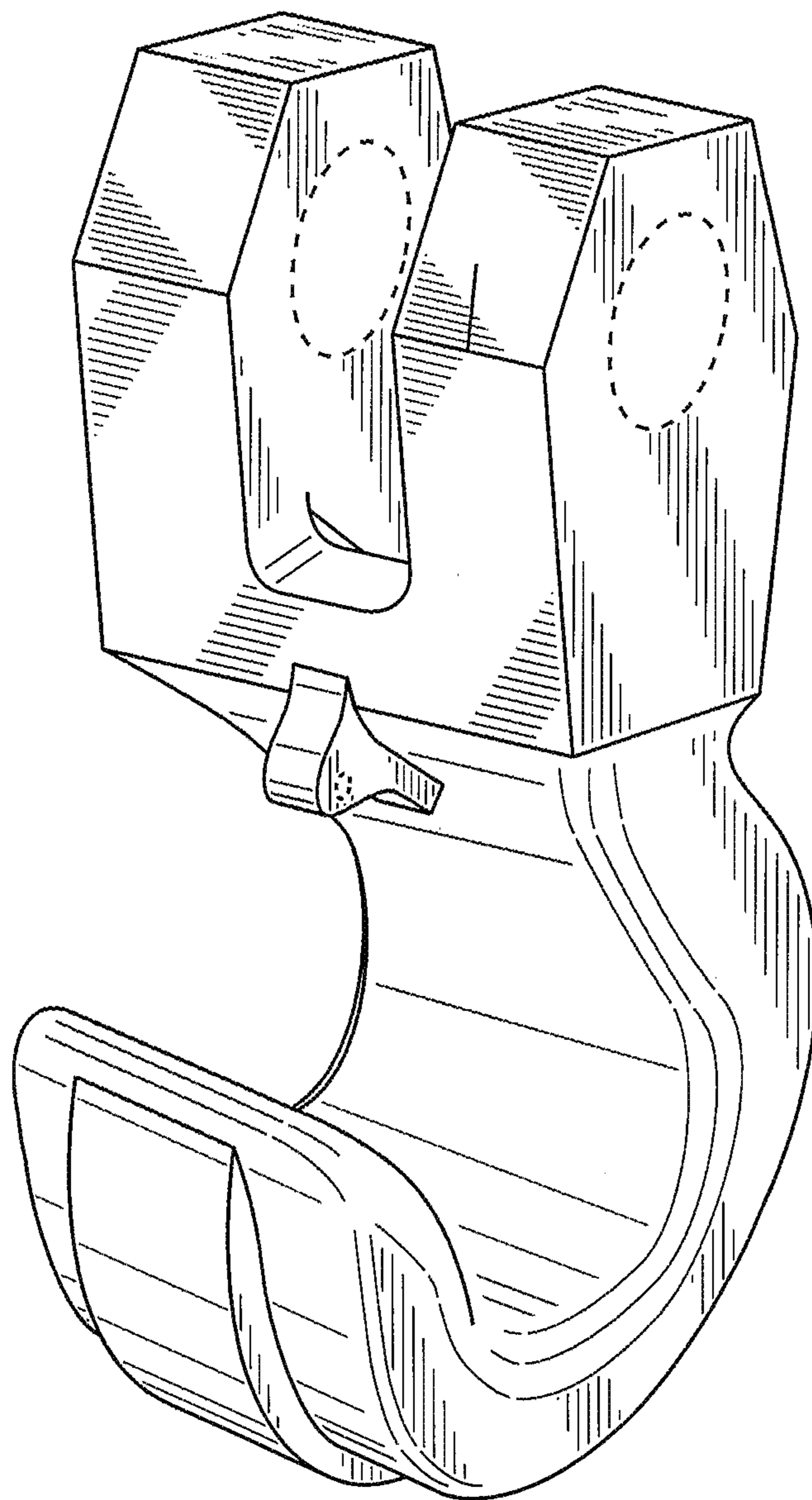


FIG. 1



**FIG. 2**



**FIG. 3**

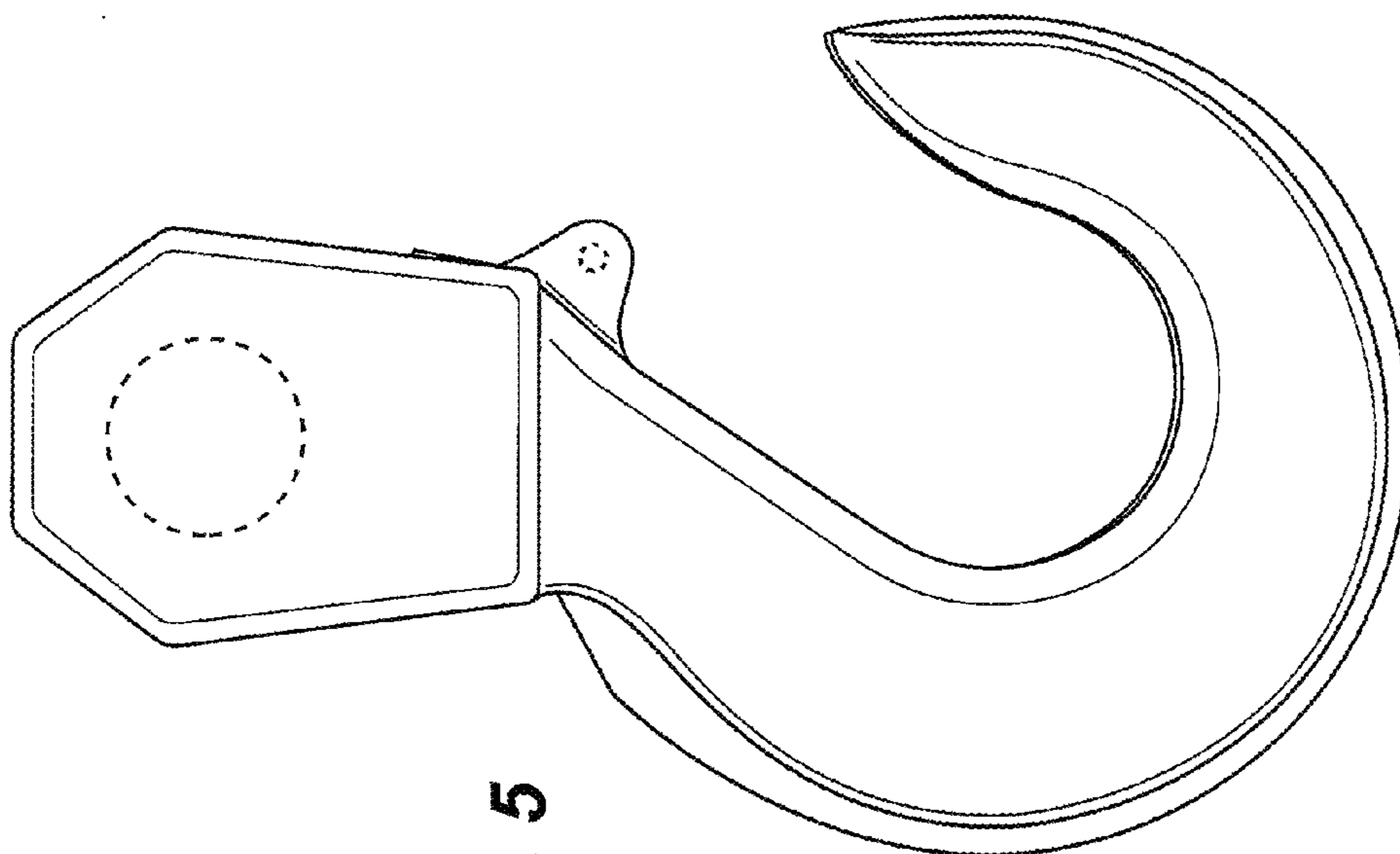


FIG. 5

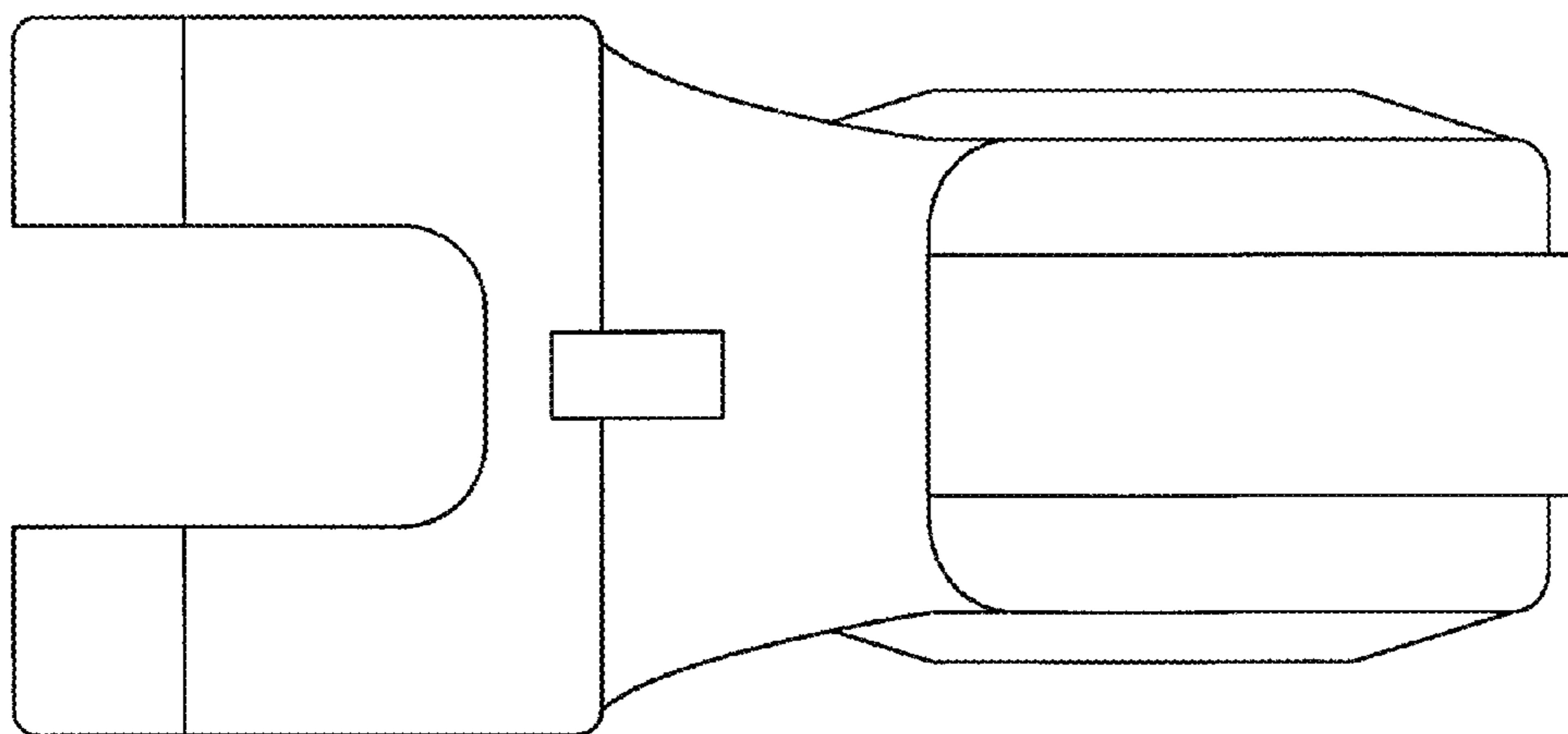


FIG. 4

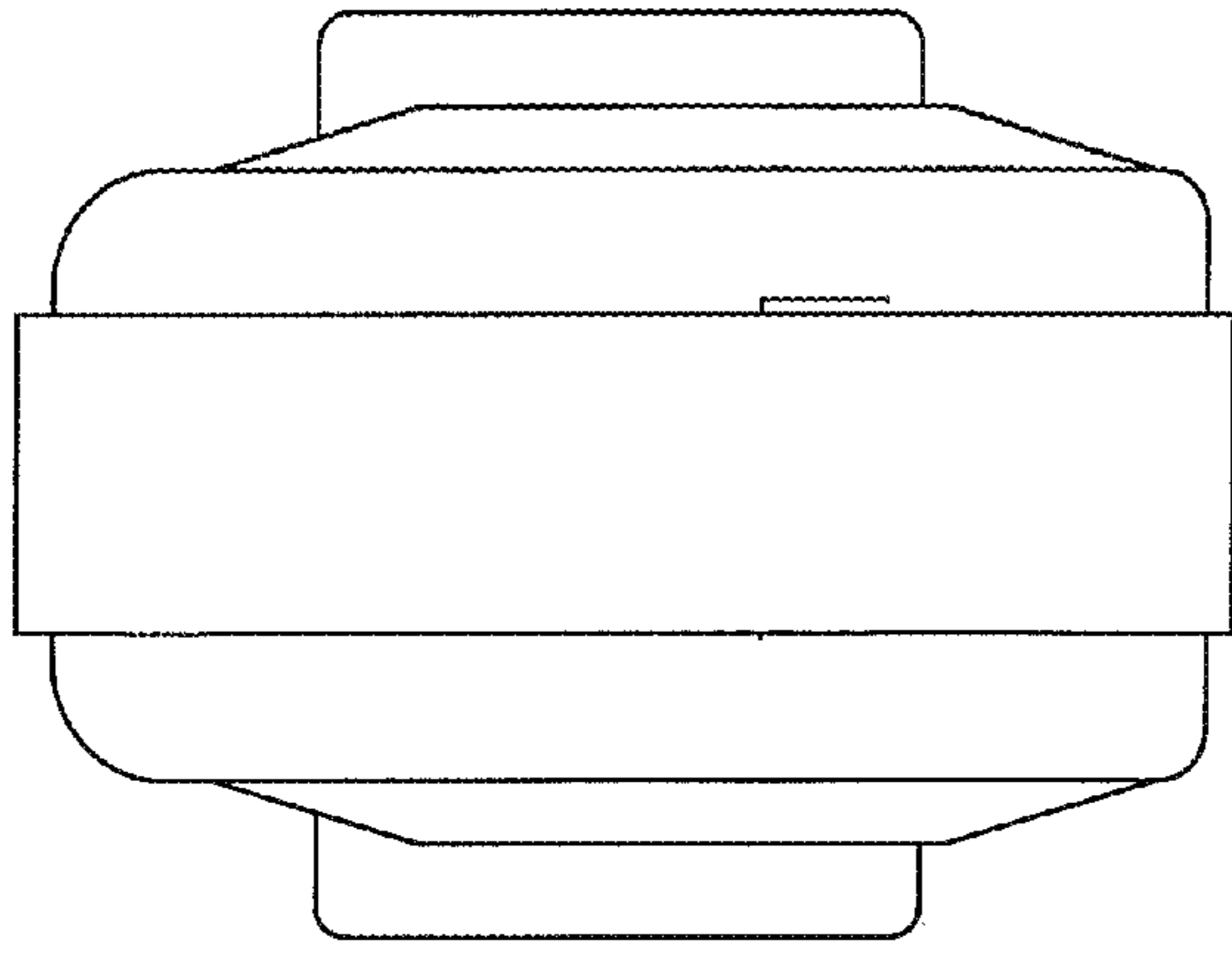


FIG. 8

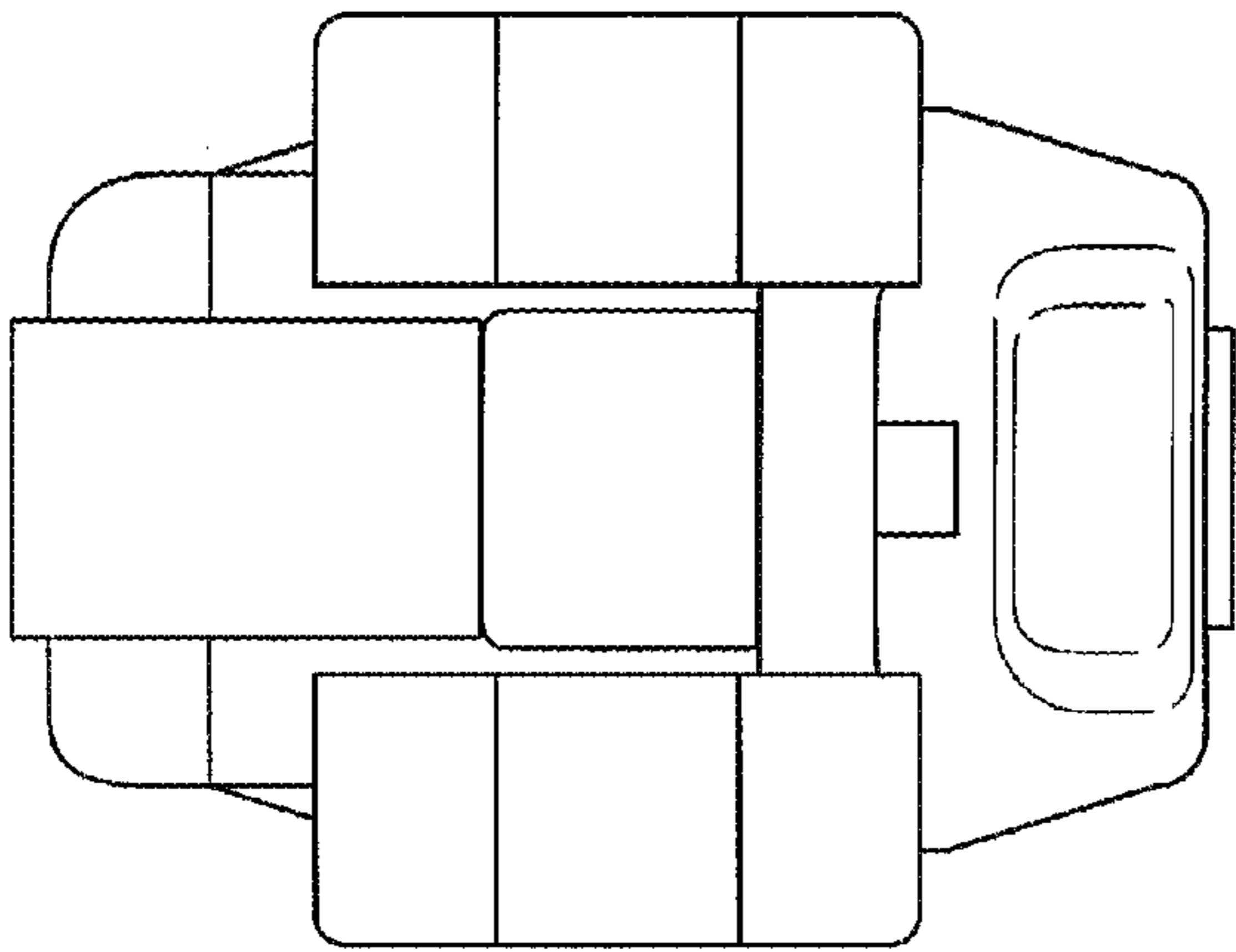


FIG. 7

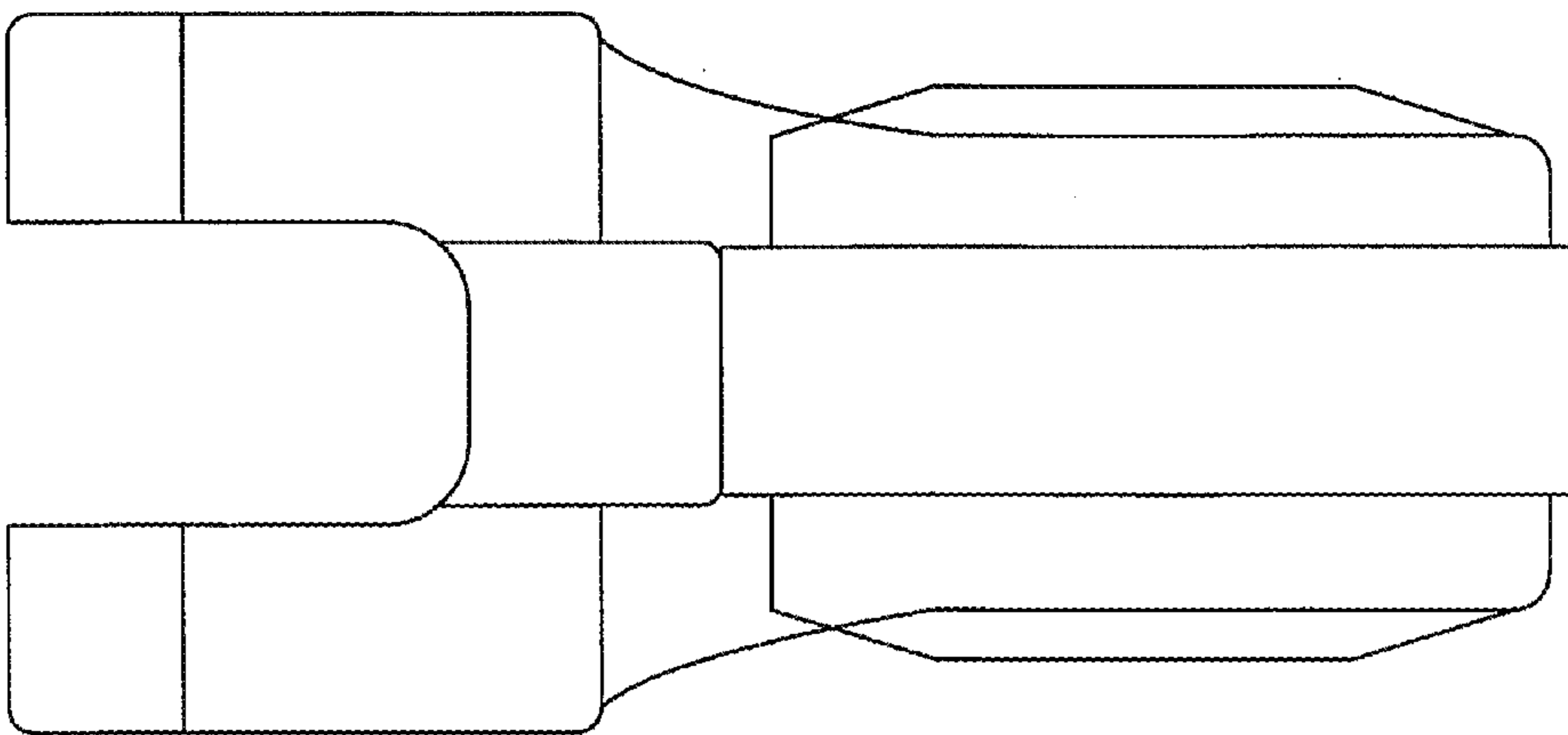


FIG. 6