

US00D744907S

(12) **United States Design Patent**
Mielke et al.

(10) **Patent No.:** **US D744,907 S**
(45) **Date of Patent:** **** Dec. 8, 2015**

(54) **SCOOTER**

(71) Applicants: **Jordan Mielke**, Ann Arbor, MI (US);
Terry Richards, Pinckney, MI (US);
Stephen Price, Bear Lake, MI (US)

(72) Inventors: **Jordan Mielke**, Ann Arbor, MI (US);
Terry Richards, Pinckney, MI (US);
Stephen Price, Bear Lake, MI (US)

(73) Assignee: **Current Motor**, Ann Arbor, MI (US)

(**) Term: **14 Years**

(21) Appl. No.: **29/508,628**

(22) Filed: **Nov. 7, 2014**

(51) **LOC (10) Cl.** **12-11**

(52) **U.S. Cl.**
USPC **D12/110**

(58) **Field of Classification Search**
USPC D12/182, 184, 186, 110, 114, 126;
180/219, 220, 225, 229; 296/78.1,
296/187.12, 193.01, 193.02, 193.05;
280/152.1, 304.3, 852

CPC B62K 11/04; B62K 11/10; B62K 2202/00;
B62M 7/12; F02B 61/02

See application file for complete search history.

(56) **References Cited**

U.S. PATENT DOCUMENTS

D521,415	S	*	5/2006	Kojima et al.	D12/110
D538,204	S	*	3/2007	Tako et al.	D12/110
D556,093	S	*	11/2007	Tanaka et al.	D12/110
D596,535	S	*	7/2009	Katagiri et al.	D12/110
D605,562	S	*	12/2009	Kitayama et al.	D12/110
D627,689	S	*	11/2010	Ishiguri et al.	D12/110
D635,489	S	*	4/2011	Tsukui	D12/110
D649,913	S	*	12/2011	Tsukui et al.	D12/110
D657,289	S	*	4/2012	Tanaka et al.	D12/110
D670,206	S	*	11/2012	Nitta et al.	D12/110
D680,912	S	*	4/2013	Lambri et al.	D12/110
D690,624	S	*	10/2013	Okubo et al.	D12/110
2011/0074183	A1	*	3/2011	Kanezuka	296/193.08

FOREIGN PATENT DOCUMENTS

EP	463942	A1	*	1/1992	B62J 7/02
EP	2168852	A1	*	3/2010	B62J 17/04
JP	2009126184	A	*	6/2009	B62J 99/00
JP	2012240520	A	*	12/2012	B62J 15/00

OTHER PUBLICATIONS

“Honda—2011 PCX: Fun Has Never Been So Economical.” Manufacturer’s Electronic Brochure., Jul. 20, 2010 [online], [retrieved on Aug. 12, 2014]. Retrieved from the Internet <URL: <http://www.motorscooterguide.net/Brochures/HondaUSA2011PCX125.pdf>>.*
“Upgraded PCX125 and New PCX150 Scooters Launched With New Honda Engine Esp.” House of Japan., Apr. 3, 2012 [online], [retrieved on Aug. 12, 2014]. Retrieved from the Internet <URL: <http://www.houseofjapan.com/auto-moto/upgraded-pcx125-and-new-pcx150-scooters-launched-with-new-honda-engine-esp>>.*

(Continued)

Primary Examiner — Philip S Hyder

Assistant Examiner — Darlington Ly

(74) *Attorney, Agent, or Firm* — Mintz Levin Cohn Ferris Glovsky and Popeo, P.C.

(57) **CLAIM**

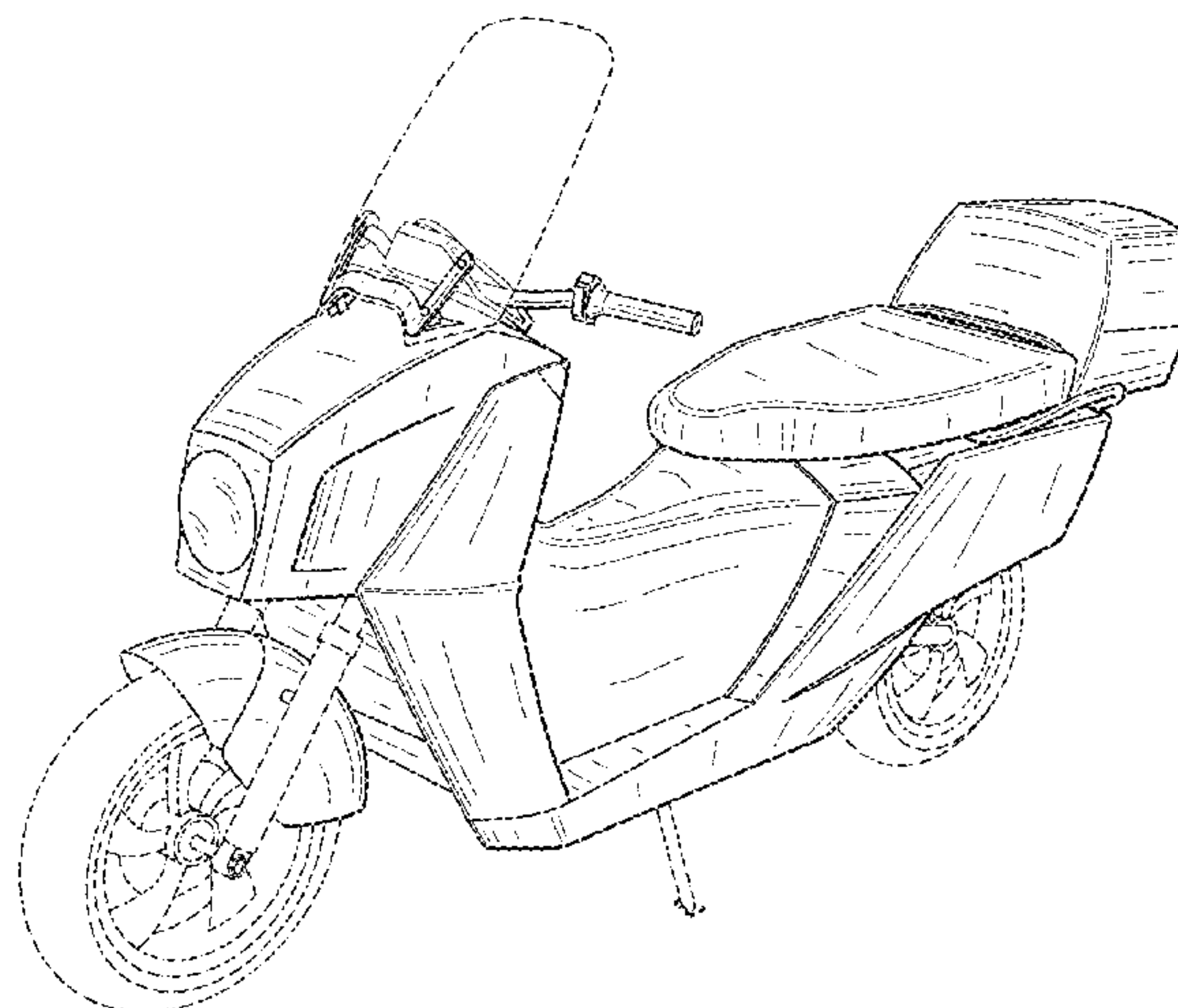
The ornamental design for a scooter, as shown and described.

DESCRIPTION

FIG. 1 is a perspective view of a scooter;
FIG. 2 is a front view of the scooter;
FIG. 3 is a back view of the scooter;
FIG. 4 is a side view of the scooter;
FIG. 5 is an opposing side view of the scooter;
FIG. 6 is a top view of the scooter; and,
FIG. 7 is an enlarged top view of an instrumental panel of the scooter.

The broken lines shown in the drawings illustrate portions of the scooter that forms no part of the claimed design.

1 Claim, 7 Drawing Sheets



(56)

References Cited

OTHER PUBLICATIONS

“2014 New Honda Scooters PCX125 and PCX150.” Bike Glam., Jan. 16, 2014 [online], [retrieved on Aug. 12, 2014]. Retrieved from the Internet <URL: <http://bikeglam.com/2014-new-honda-scooters-pcx125-and-pcx150/>>.*

“2015 PCX 150—New Look, Same Great Value.” Honda Electronic Brochure., Jul. 15, 2014 [online], [retrieved on Aug. 12, 2014]. Retrieved from the Internet <URL: http://powersports.honda.com/Documentum/model_pages/brochure_pdf_files/brochure_pcx150f.pdf>.*

* cited by examiner

FIG. 1

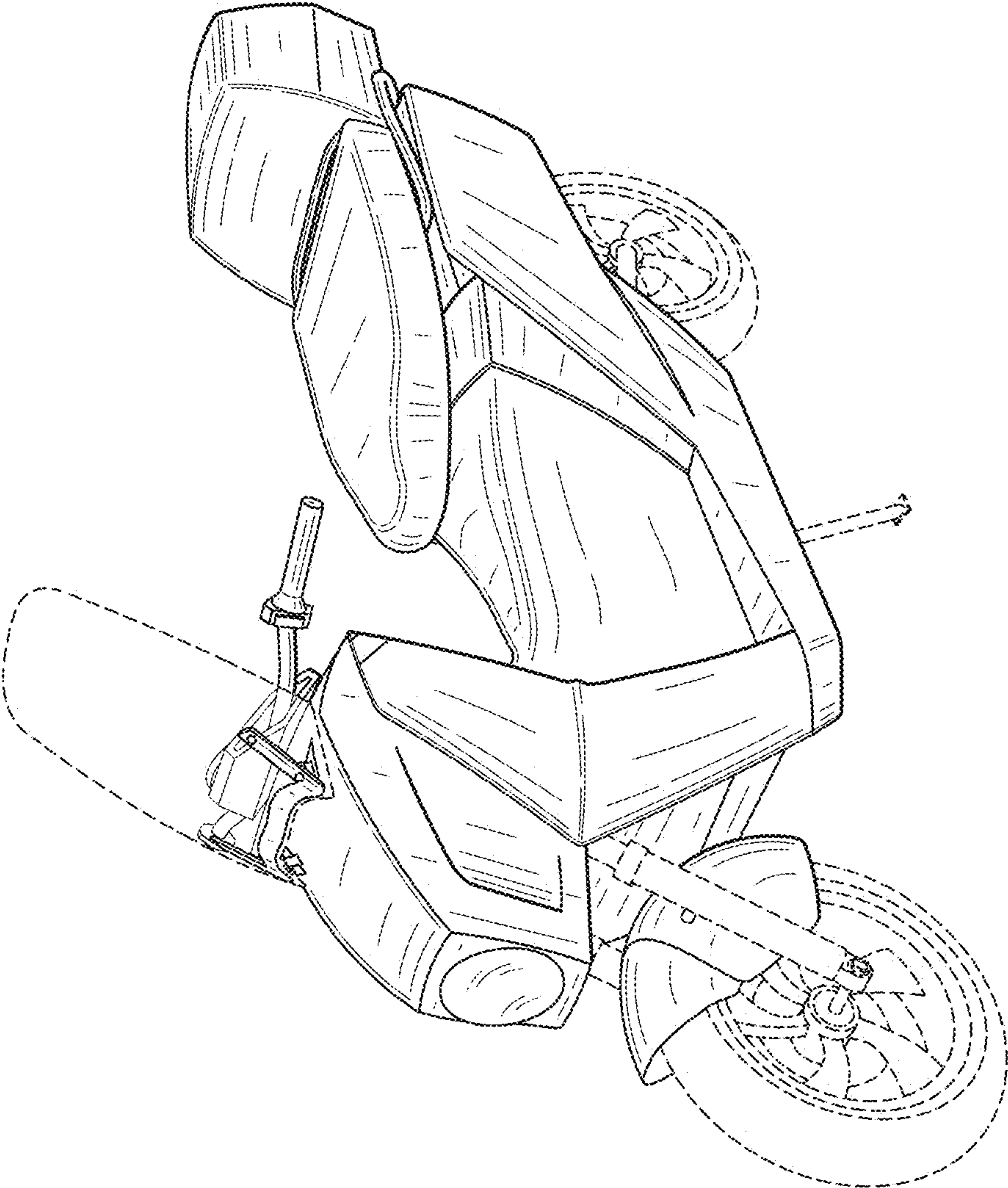


FIG. 2

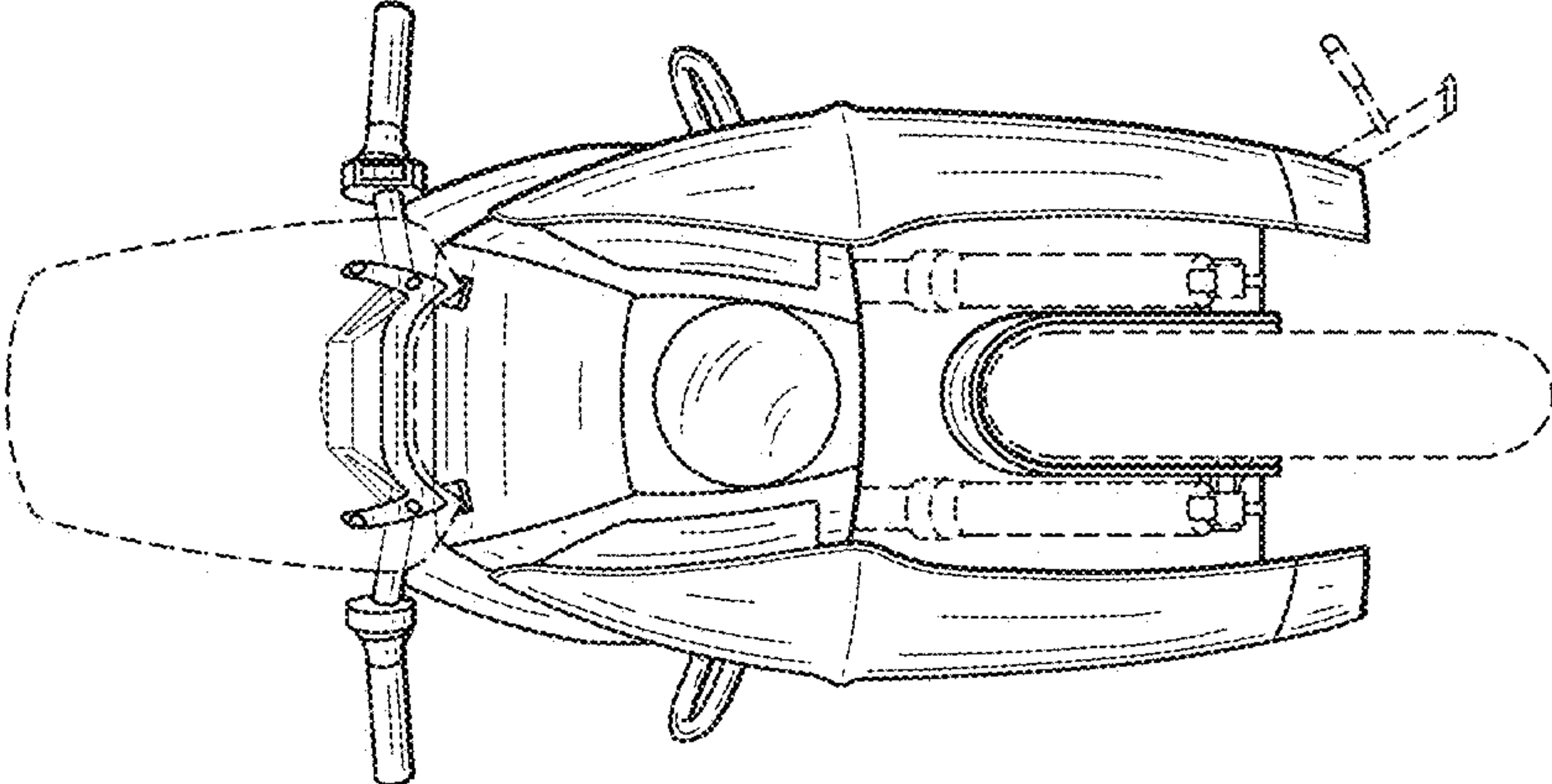


FIG. 3

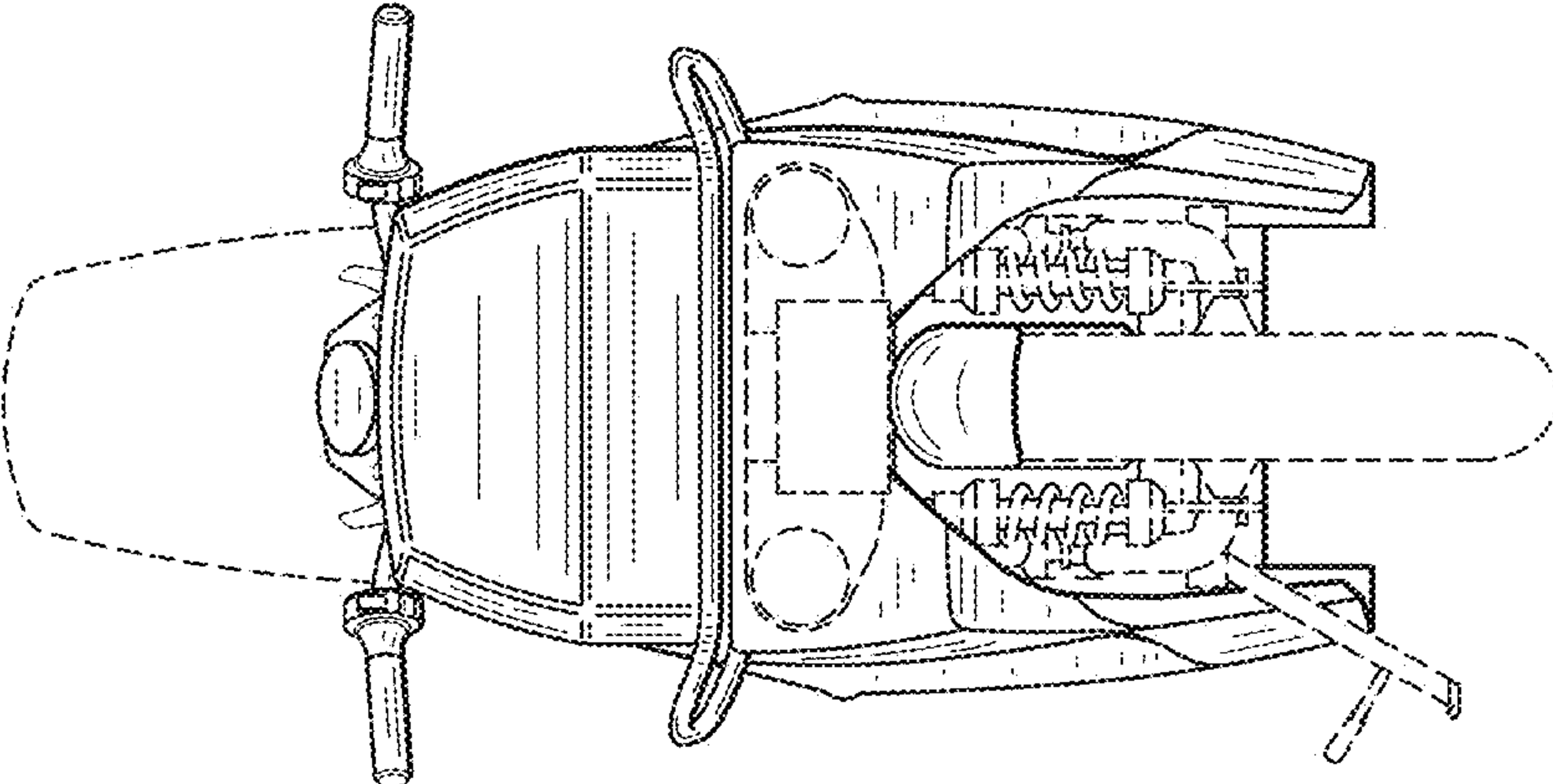


FIG. 4

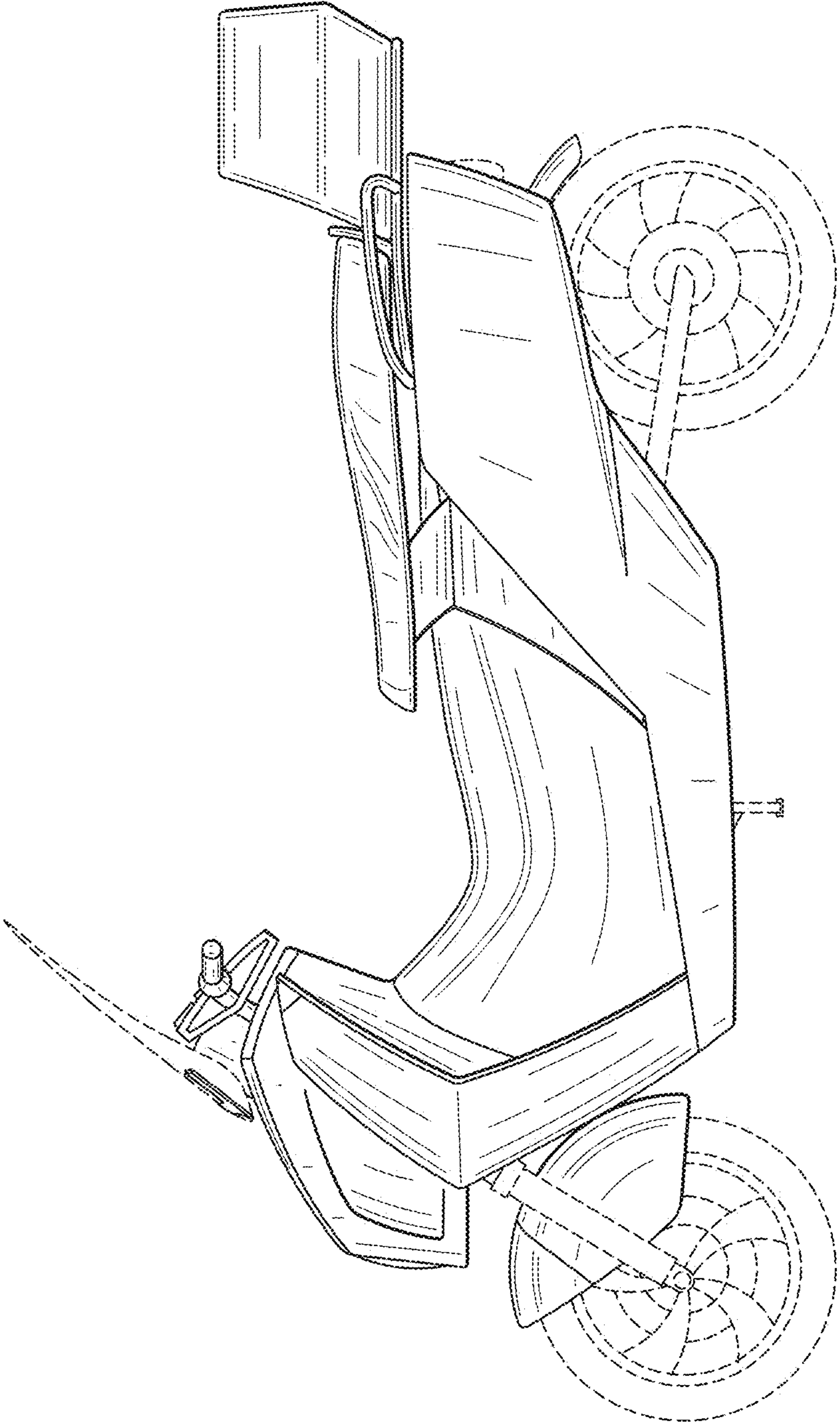


FIG. 5

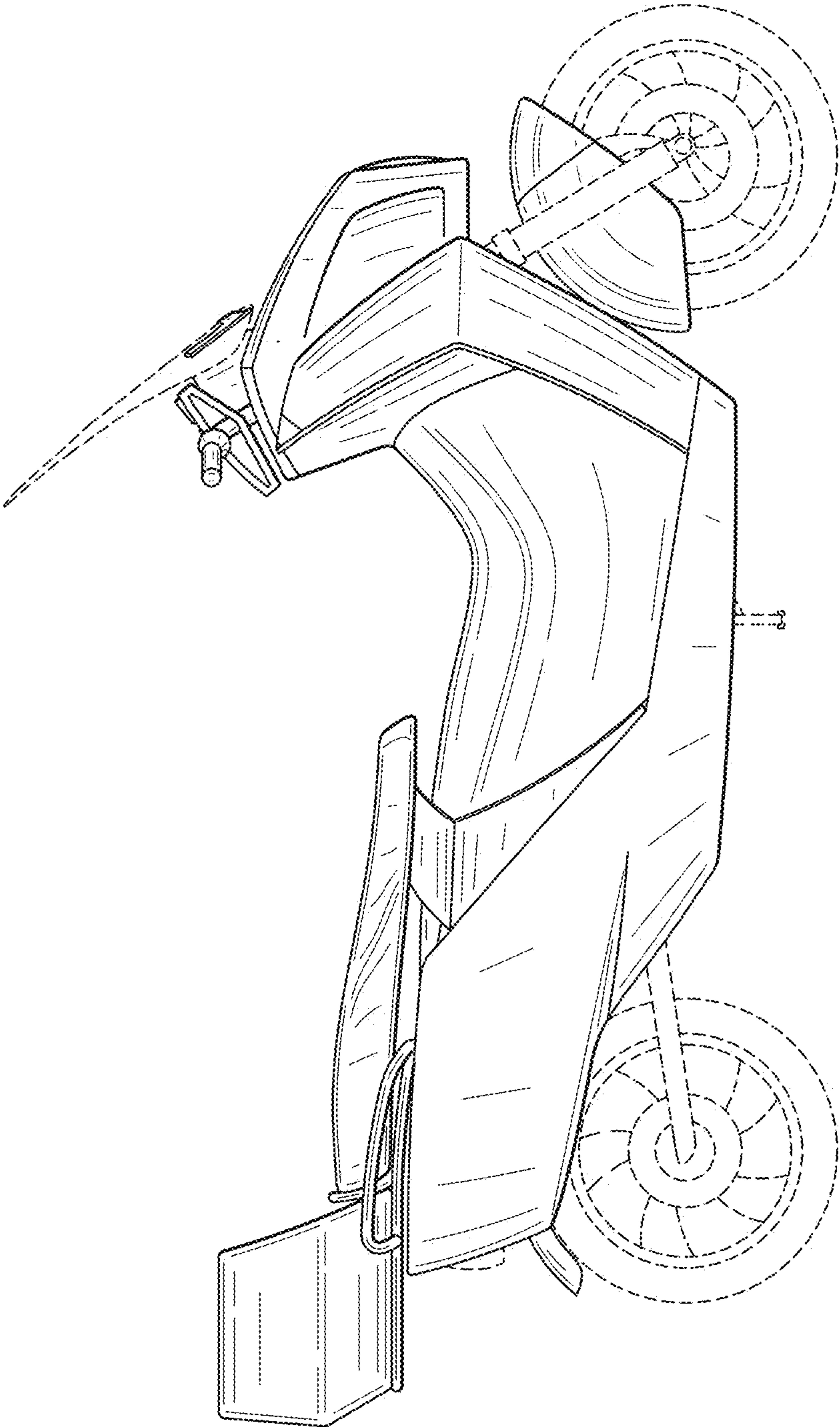


FIG. 6

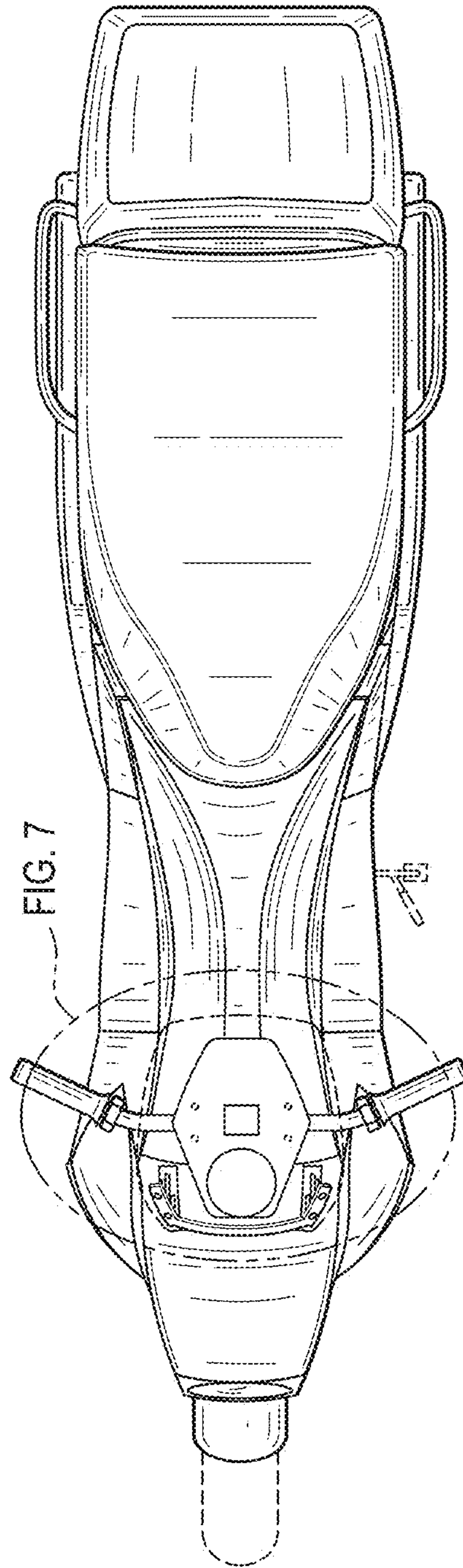


FIG. 7

