



US00D744906S

(12) **United States Design Patent**  
**Song et al.**

(10) **Patent No.:** **US D744,906 S**  
(45) **Date of Patent:** **\*\* Dec. 8, 2015**

(54) **MOTORCYCLE**

(71) Applicant: **Polaris Industries Inc.**, Medina, MN  
(US)

(72) Inventors: **Michael M. Song**, Maple Grove, MN  
(US); **Gregory C. Brew**, Minnetonka,  
MN (US)

(73) Assignee: **Polaris Industries Inc.**, Medina, MN  
(US)

(\*\*) Term: **14 Years**

(21) Appl. No.: **29/469,558**

(22) Filed: **Oct. 11, 2013**

(51) **LOC (10) Cl.** ..... **12-11**

(52) **U.S. Cl.**  
USPC ..... **D12/110**

(58) **Field of Classification Search**  
USPC ..... D12/110, 107, 182, 194, 126, 114, 117,  
D12/218; D21/538, 432; D26/28;  
296/193.09, 78.1, 198, 105; 180/219,  
180/220, 225, 229; 280/281.1  
CPC ..... B62K 11/04; B62K 2202/00; B62K  
2204/00; B62K 11/00; B62K 19/30; B62K  
25/283; B62K 11/10; B62K 19/16; F02B  
61/02; B60Y 2200/12; B60L 2200/12; B62M  
7/12; B62M 7/02; F02M 35/162; Y02T  
10/7005

See application file for complete search history.

(56) **References Cited**

**U.S. PATENT DOCUMENTS**

D225,483 S \* 12/1972 Ikeda ..... D12/110  
D241,330 S \* 9/1976 Morioka ..... D12/110  
D254,540 S \* 3/1980 Miyachi et al. .... D12/110  
D255,559 S \* 6/1980 Morioka et al. .... D12/110

D267,638 S 1/1983 Iwasaki  
D268,999 S 5/1983 Nakano  
D271,865 S 12/1983 Morioka  
D272,138 S 1/1984 Ishiyama  
D273,851 S 5/1984 Nagashima  
D273,852 S 5/1984 Ishiyama  
D274,421 S 6/1984 Iwakura  
D274,423 S 6/1984 Horikoshi  
D277,090 S 1/1985 Iwakura  
D279,086 S 6/1985 Gevert  
D283,604 S 4/1986 Gevert

(Continued)

**OTHER PUBLICATIONS**

Cycle World, "2014 Star/Yamaha Bolt and Bolt R-Spec—First Look," Blake Conner, available at <http://www.cycleworld.com/2013/03/09/2014-yamaha-star-bolt-and-bolt-r-spec-first-look-review/>, dated Mar. 9, 2013, 15 pages.

(Continued)

*Primary Examiner* — Robert M Spear

*Assistant Examiner* — Ryan Harvey

(74) *Attorney, Agent, or Firm* — Faegre Baker Daniels LLP

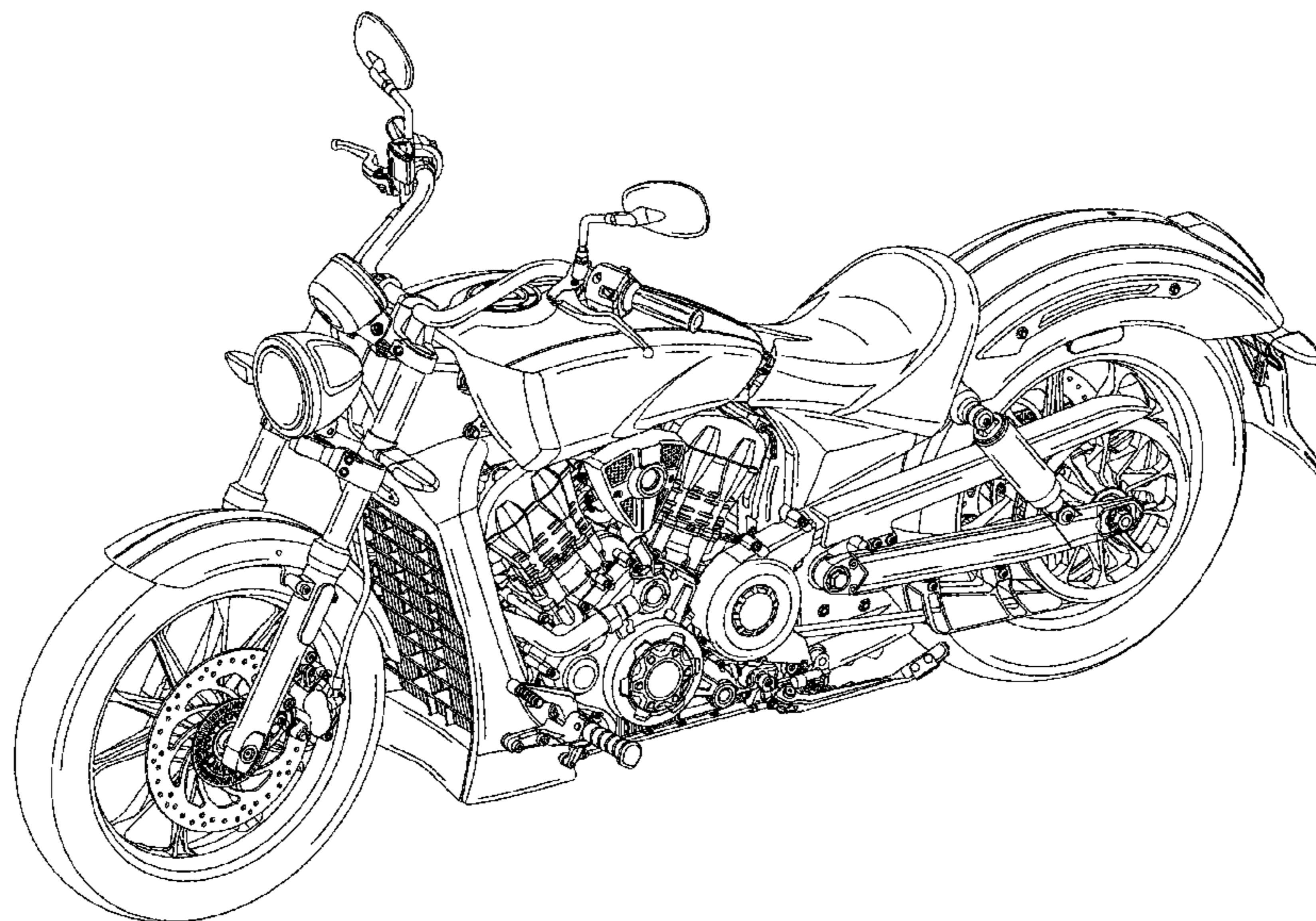
(57) **CLAIM**

We claim the ornamental design for a motorcycle, as shown and described.

**DESCRIPTION**

FIG. 1 is a left front perspective view of a motorcycle; FIG. 2 is a right rear perspective view of the motorcycle of FIG. 1; FIG. 3 is a left side view of the motorcycle of FIG. 1; FIG. 4 is a right side view of the motorcycle of FIG. 1; FIG. 5 is a top view of the motorcycle of FIG. 1; FIG. 6 is a front view of the motorcycle of FIG. 1; and, FIG. 7 is a rear view of the motorcycle of FIG. 1.

**1 Claim, 6 Drawing Sheets**



(56)

## References Cited

## U.S. PATENT DOCUMENTS

D283,689 S	5/1986	Nakano	
D297,721 S	9/1988	Kaneko	
D299,710 S	2/1989	Iwakura	
D305,520 S	1/1990	Kikuchi	
D305,748 S	1/1990	Kaneko	
D339,087 S	9/1993	Gibbons	
D344,046 S	2/1994	Kitagawa	
D372,442 S	8/1996	Kitagawa	
D375,281 S	11/1996	Kitagawa	
D379,605 S	* 6/1997	Kishi et al.	D12/110
D382,835 S	8/1997	Abe	
D383,096 S	9/1997	Abe	
D388,746 S	1/1998	Davidson	
D391,527 S	3/1998	Maruyama	
D392,601 S	3/1998	Ban	
D394,233 S	5/1998	Yamamoto	
D395,621 S	6/1998	Nishino	
D396,204 S	7/1998	Kishi	
D398,265 S	9/1998	Robb	
D401,892 S	12/1998	Sugimoto	
D407,047 S	3/1999	Otsubo	
D416,215 S	* 11/1999	Hanlon et al.	D12/110
D417,173 S	11/1999	Yamaguchi	
D417,415 S	12/1999	Hoagland, IV	
D437,261 S	2/2001	Capriglione	
D439,868 S	4/2001	Sugimoto	
D440,189 S	4/2001	Ban	
D442,521 S	* 5/2001	Pan	D12/110
D442,892 S	* 5/2001	Timmermann	D12/110
D447,722 S	9/2001	Ito	
D447,985 S	* 9/2001	Ino et al.	D12/110
D453,126 S	1/2002	Nakazawa	
D454,094 S	3/2002	Miwa	
D456,748 S	5/2002	Keating	
D460,931 S	7/2002	Nakazawa	
D462,638 S	9/2002	Davidson	
D470,799 S	2/2003	Yamaguchi	
D482,300 S	* 11/2003	Davidson et al.	D12/110
D482,640 S	* 11/2003	TaMuRa et al.	D12/110
D497,573 S	10/2004	James	
D504,640 S	* 5/2005	Conte	D12/110
D506,163 S	* 6/2005	Uemoto	D12/110
D511,718 S	* 11/2005	Manchester et al.	D12/110
D517,957 S	* 3/2006	Savage et al.	D12/110
D522,925 S	* 6/2006	Nishino	D12/110
D524,192 S	* 7/2006	Sugimoto	D12/110
D525,919 S	8/2006	Sugimoto	
D528,045 S	9/2006	Yin	
D531,090 S	10/2006	Imura	
D538,202 S	3/2007	Shimizu	
D544,816 S	* 6/2007	Davidson et al.	D12/110
D550,591 S	* 9/2007	Mugikura	D12/110
D567,148 S	* 4/2008	Inose et al.	D12/110
D572,629 S	* 7/2008	Kawagishi	D12/110
D582,318 S	* 12/2008	Kishi et al.	D12/110
D582,319 S	12/2008	Miwa	
D588,503 S	* 3/2009	Idei et al.	D12/110
D588,504 S	* 3/2009	Kawagishi	D12/110
D592,106 S	5/2009	Shimizu	
D594,785 S	6/2009	Sasanami	
D597,891 S	8/2009	Andoh	
D597,892 S	* 8/2009	Andoh	D12/110
D599,253 S	9/2009	Isokari	
D603,759 S	11/2009	Nakazawa	
D604,204 S	* 11/2009	Uchiyama	D12/110
D605,087 S	12/2009	Wong	
D605,088 S	* 12/2009	Tanaka et al.	D12/110
D610,044 S	* 2/2010	Sugimoto	D12/110
D611,882 S	* 3/2010	Sugimoto	D12/110
D619,934 S	7/2010	Li	
D626,036 S	* 10/2010	Yamazumi et al.	D12/110
D628,521 S	* 12/2010	Kishi et al.	D12/110
D635,060 S	* 3/2011	Ota	D12/110
D637,523 S	* 5/2011	Sugimoto et al.	D12/110
D637,525 S	5/2011	Sugimoto	

D640,606 S	6/2011	Lai	
D649,914 S	12/2011	Marasco	
D656,068 S	3/2012	Song	
D666,530 S	9/2012	Birtulescu	
D683,270 S	* 5/2013	Song	D12/110
D683,271 S	* 5/2013	Song	D12/110
D684,901 S	6/2013	Chiu	
D690,623 S	10/2013	Tsukui	
D694,154 S	* 11/2013	Arru et al.	D12/110
D695,648 S	12/2013	Yamazaki	
D716,702 S	* 11/2014	Song et al.	D12/110
D723,430 S	3/2015	Schmidt	
D723,979 S	3/2015	Yu	

## OTHER PUBLICATIONS

The Kathmandu Post, "Bbm rolls out Korean cruiser," available at <http://www.ekantipur.com/the-kathmandu-post/2012/08/28/money/bbm-rolls-out-korean-cruiser/238966.html>, dated Aug. 29, 2012, 3 pages.

Cycle World, "Frugal Fuelers: Harley-Davidson SL883 Sportster—First Look," Blake Conner, available at <http://www.cycleworld.com/2008/07/16/frugal-fuelers-harley-davidson-xl883-sportster-first-look/>, dated Jul. 16, 2008, 7 pages.

Top Speed, "2013 Yamaha V-Star 650 Custom," available at <http://www.topspeed.com/motorcycles/motorcycle-reviews/yamaha/2013-yamaha-v-star-650-custom-ar150464.html>, dated Apr. 10, 2013, 9 pages.

Honda, "2013 Shadow Spirit 750," available at <http://powersports.honda.com/2013/shadow-spirit-750.aspx>, available at least as early as Sep. 13, 2012, 2 pages.

Top Speed, "2014 Kawasaki Vulcan 900 Custom," available at <http://www.topspeed.com/motorcycles/motorcycle-reviews/kawasaki/2014-kawasaki-vulcan-900-custom-ar160384.html>, dated Sep. 18, 2013, 11 pages.

Top Speed, "2013 Kawasaki Vulcan 900 Custom," available at <http://www.topspeed.com/motorcycles/motorcycle-reviews/kawasaki/2013-kawasaki-vulcan-900-custom-ar155067.html>, dated Jun. 4, 2013, 12 pages.

Top Speed, "2013 Suzuki Boulevard M50," available at <http://www.topspeed.com/motorcycles/motorcycle-reviews/suzuki/2013-suzuki-boulevard-m50-ar149032.html>, dated Mar. 27, 2013, 8 pages.

Cruiser, "Allmond Cycle Design Victory—As Easy As XYZ," Bob Clarke, available at <http://www.motorcyclecruiser.com/allmond-cycle-design-victory-easy-xyz>, dated Feb. 17, 2011, 7 pages.

Cruiser, "2014 Star Bolt-First Ride," Andy Cherney, available at <http://www.motorcyclecruiser.com/cruisers/2014-star-bolt-first-ride>, dated Apr. 20, 2013, 4 pages.

Cruiser, "Readers' Rides—'85 Suzuki Madura GV 1200GLF," available at <http://www.motorcyclecruiser.com/cruisers/readers-rides-85-suzuki-madura-gv-1200glfm>, dated Oct. 8, 2012, 3 pages.

Cruiser, "Readers' Rides—'2009 900 Vulcan Classic," available at <http://www.motorcyclecruiser.com/cruisers/readers-rides-2009-900-vulcan-classic>, dated Oct. 8, 2012, 4 pages.

Cruiser, "2012 Royal Enfield Bullet C5 Chrome—Long-Term Bikes," available at <http://www.motorcyclecruiser.com/cruisers/2012-royal-enfield-bullet-c5-chrome-long-term-bikes>, dated Sep. 27, 2012, 4 pages.

Cruiser, "Readers' Rides—'99 Shadow Spirit VT1100C," <http://www.motorcyclecruiser.com/cruisers/readers-rides-99-shadow-spirit-vt1100c>, dated Aug. 7, 2012, 3 pages.

Cruiser, "2011 Star Stryker—Long-Term Bikes," Billy Bartels, available at <http://www.motorcyclecruiser.com/cruisers/2011-star-stryker-long-term-bikes>, dated Jul. 12, 2011, 3 pages.

Cruiser, "2011 Ducati Diavel—First Ride," Billy Bartels, available at <http://www.motorcyclecruiser.com/news/2011-ducatti-diavel-first-ride>, dated May 25, 2011, 3 pages.

Cruiser, "2011 Hyosung ST7—First Ride," Andrew Cherney, available at <http://www.motorcyclecruiser.com/cruisers/2011-hyosung-st7-first-ride>, dated Mar. 25, 2011, 5 pages.

Cruiser, "Star Road Star S-Ape Star," Bill Bartels, available at <http://www.motorcyclecruiser.com/cruisers/star-road-star-s-ape-star>, dated May 7, 2010, 4 pages.

(56)

**References Cited**

OTHER PUBLICATIONS

Cruiser, "First Ride: 2010 Honda Shadow Phantom," Andrew Cherney, available at <http://www.motorcyclecruiser.com/cruisers/first-ride-2010-honda-shadow-phantom>, dated Feb. 26, 2010, 3 pages.

Cruiser, "2006 Harley-Davidson VRSCD Night Rod Motorcycle Road Test," available at <http://www.motorcyclecruiser.com/2006->

[harley-davidson-vrscd-night-rod-motorcycle-road-test](#), dated Feb. 24, 2009, 5 pages.

Top Speed, "2011 Star Motorcycle V Star 950," Kirby Garlitos, available at <http://www.topspeed.com/motorcycles/motorcycle-reviews/star-motorcycles/2011-star-motorcycle-v-star-950-ar114644.html>, dated Sep. 26, 2011, 8 pages.

HubPages, "Top 100 Ugliest Motorcycles-10 Current Cruisers," available at <http://hallicino.hubpages.com/hub/Top-100-Ugliest-Motorcycles---10-Current-Cruisers>, dated Mar. 20, 2011, 6 pages.

\* cited by examiner

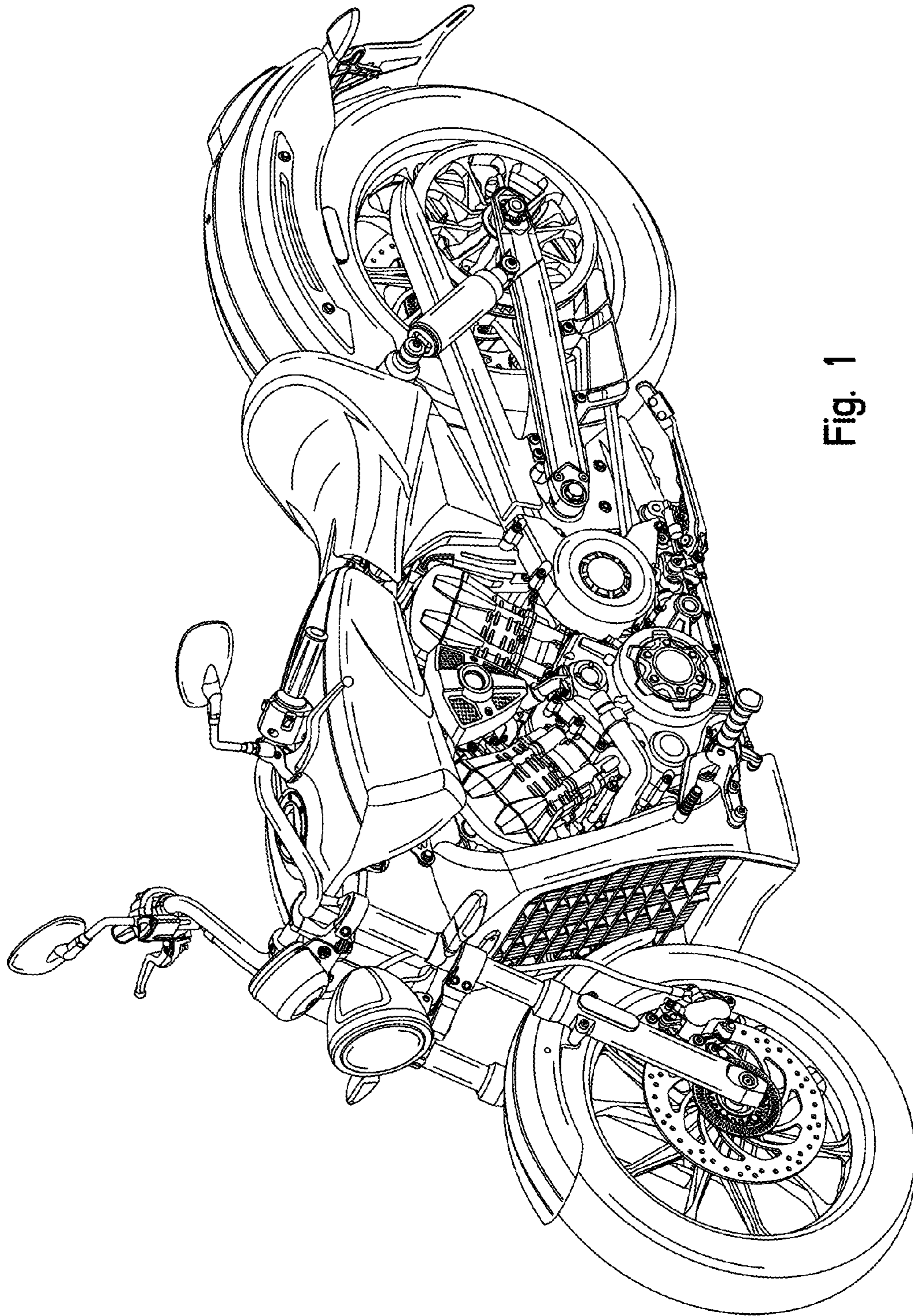


Fig. 1

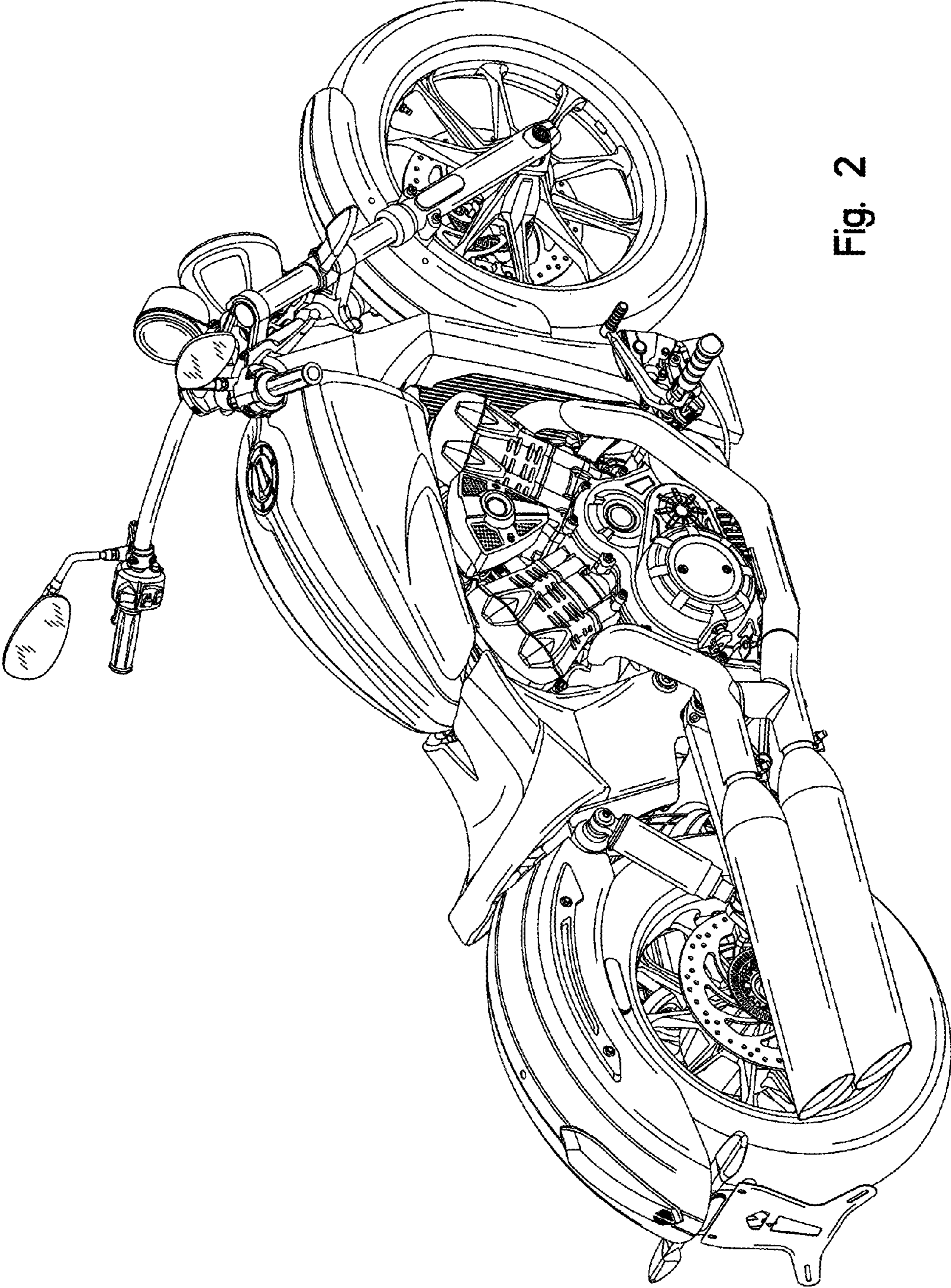


Fig. 2

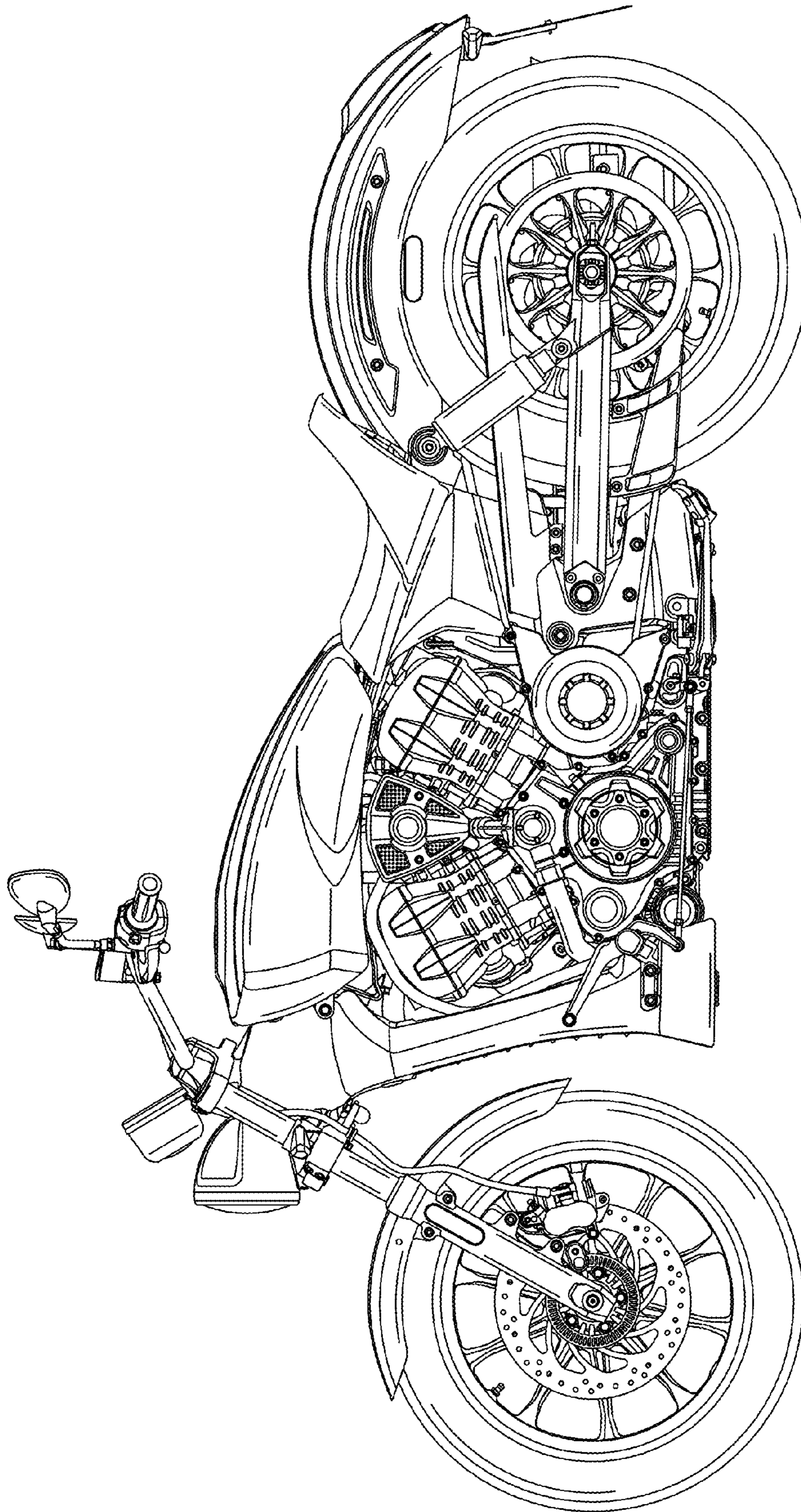


Fig. 3

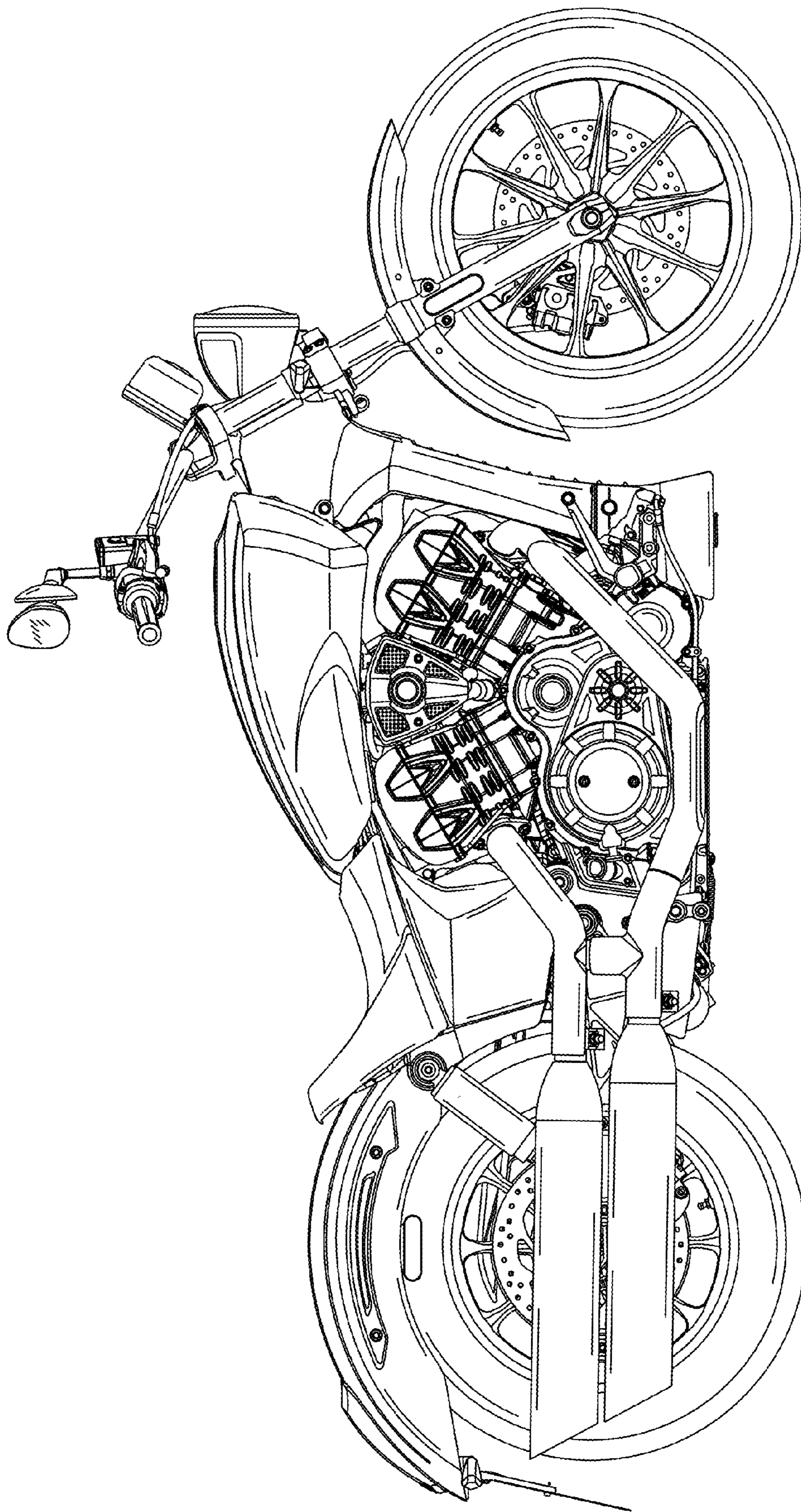


Fig. 4

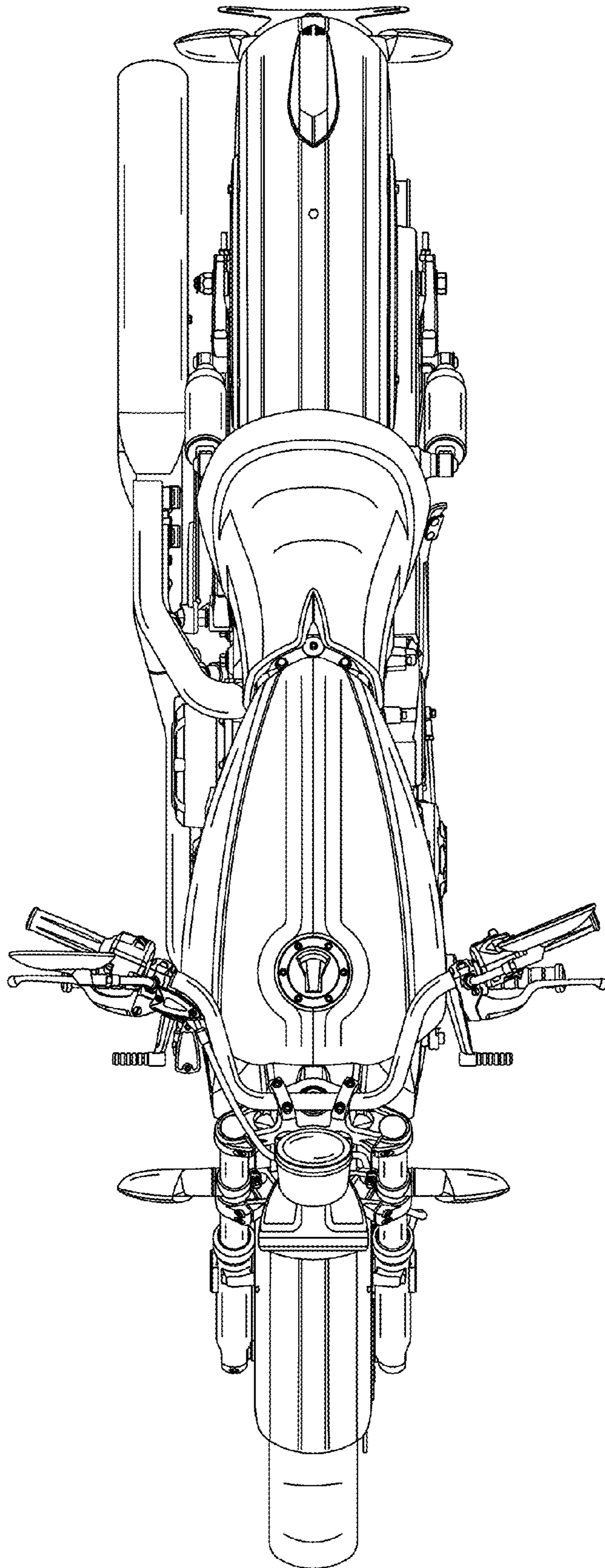


Fig. 5



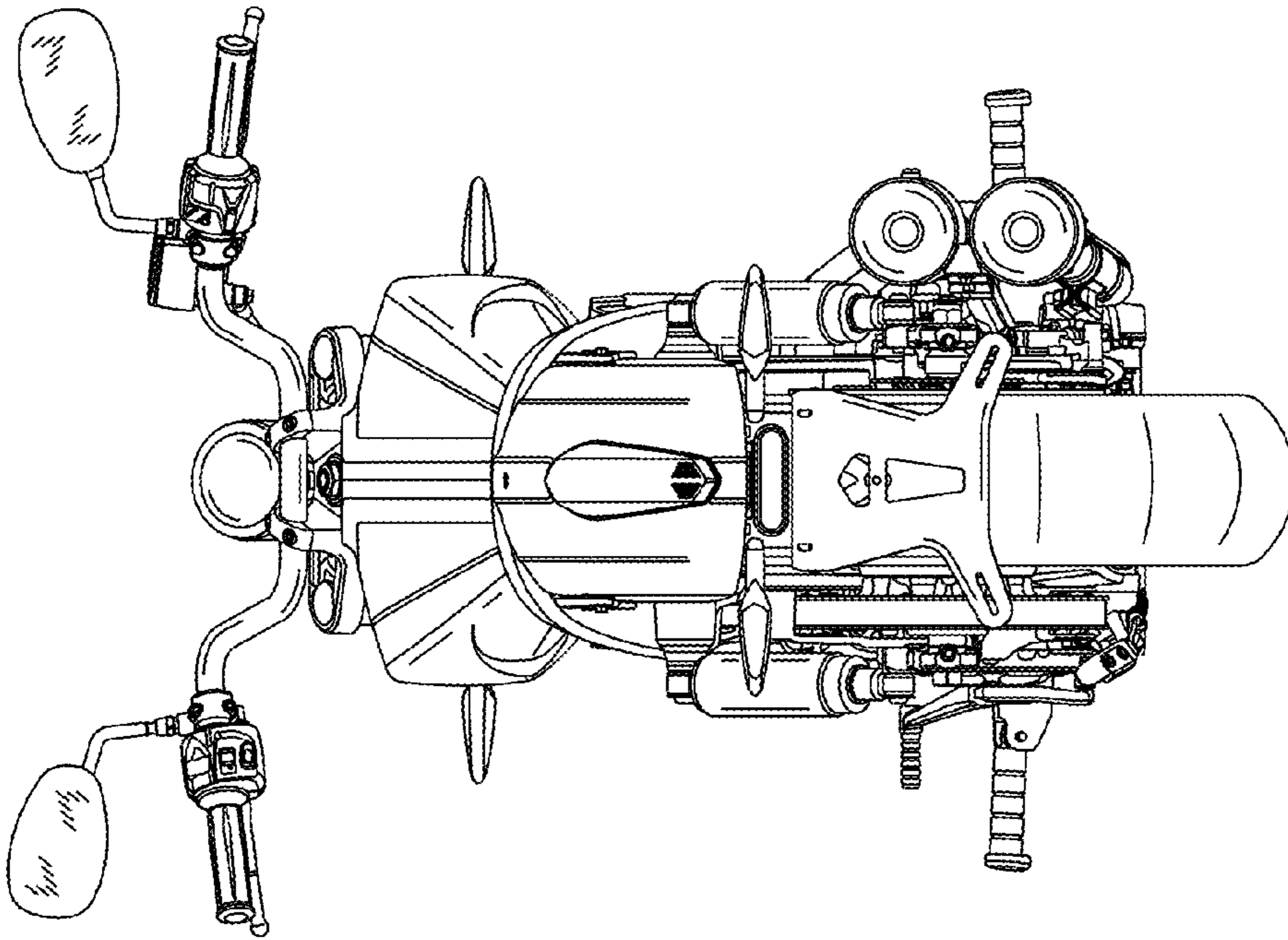


Fig. 7

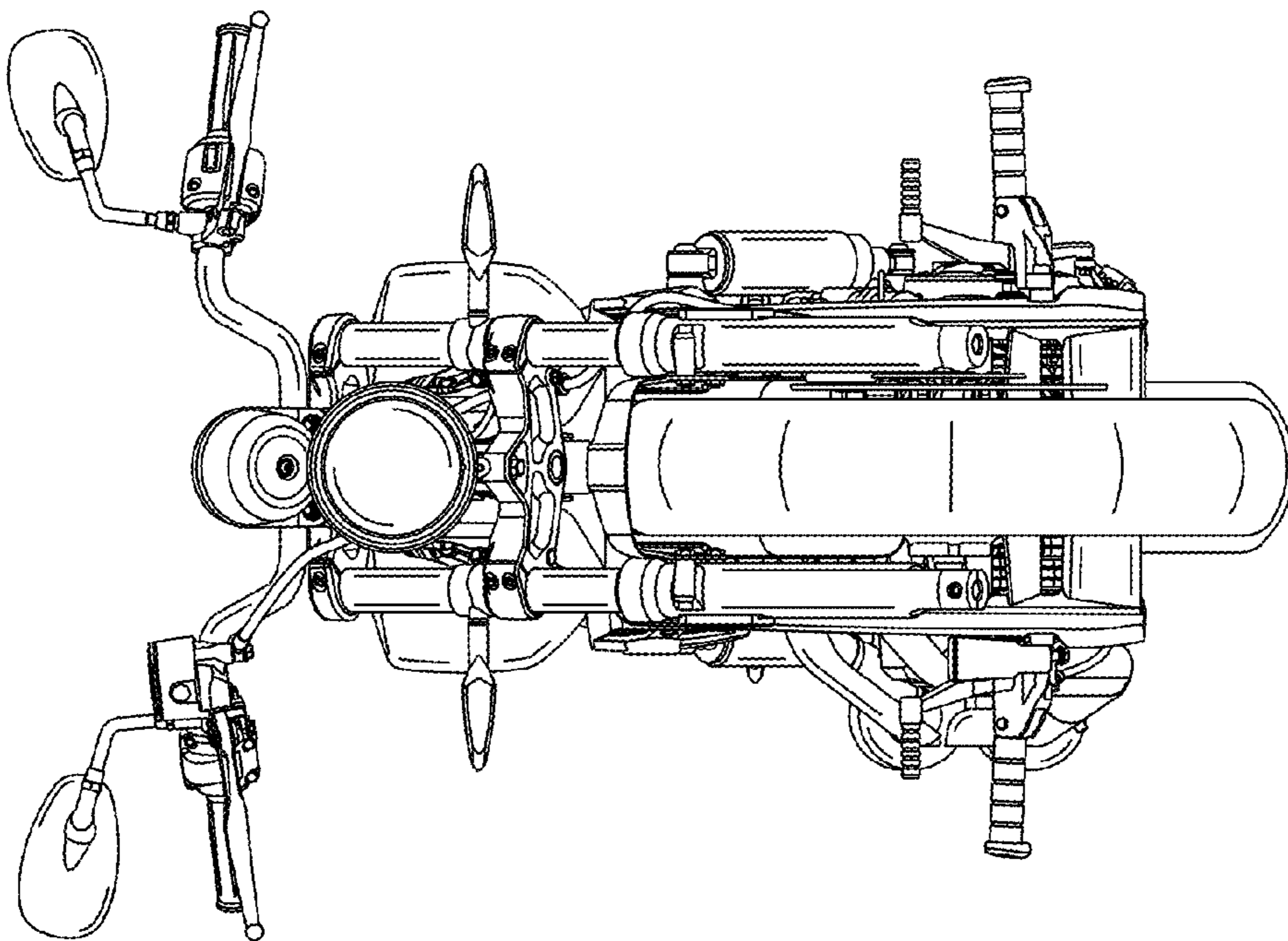


Fig. 6