



US00D744900S

(12) **United States Design Patent**
Tang

(10) **Patent No.:** **US D744,900 S**
(45) **Date of Patent:** **** Dec. 8, 2015**

(54) **HINGED BUTTON COVER**

(71) Applicant: **Danny Tang**, Rowland Heights, CA
(US)

(72) Inventor: **Danny Tang**, Rowland Heights, CA
(US)

(**) Term: **15 Years**

(21) Appl. No.: **29/534,713**

(22) Filed: **Jul. 30, 2015**

Related U.S. Application Data

(63) Continuation of application No. 14/491,138, filed on Sep. 19, 2014, and a continuation of application No. 14/455,641, filed on Aug. 8, 2014.

(51) **LOC (10) CL.** **02-07**

(52) **U.S. CL.**
USPC **D11/222**

(58) **Field of Classification Search**
USPC D11/220, 222-241, 200, 40, 95;
24/90.5, 113 MP, 113 R, 102 SL, 562,
24/487, 543, 662, 102 R; 63/1.17, 1.18, 33,
63/14.1, 14.7; 40/1.5, 315; 223/1, 96;
251/4; D32/61; D8/395; D6/315
CPC A44B 5/00; A44B 5/02; A44B 5/002;
A44B 1/04; A44B 1/12; A44B 1/14; A44B
17/0011; D06F 55/00; A41F 11/04; A41F
15/02; A44C 1/00; A44C 15/00; A44C 7/00;
A44C 3/001; G09F 3/04
See application file for complete search history.

(56) **References Cited**

U.S. PATENT DOCUMENTS

581,111 A * 4/1897 Goodwin 40/315
834,943 A * 11/1906 Steinberg 24/90.5
1,747,322 A 2/1930 Riker
2,751,654 A * 6/1956 Armbruster 24/113 MP

2,880,487 A * 4/1959 Ryan 24/113 MP
3,316,601 A 5/1967 Ryan
3,343,230 A 9/1967 Darvie
3,923,213 A * 12/1975 George et al. 223/96
3,934,313 A 1/1976 Hocq
3,942,228 A * 3/1976 Buckman et al. 251/4
3,962,758 A * 6/1976 Knappe et al. 24/562
4,539,731 A 9/1985 Torrini
4,779,778 A 10/1988 Nixon, II
4,807,334 A * 2/1989 Blanchard 24/487

(Continued)

FOREIGN PATENT DOCUMENTS

WO 2007061261 A1 5/2007

Primary Examiner — T. Chase Nelson

Assistant Examiner — Mark Cavanna

(74) *Attorney, Agent, or Firm* — Pacifica IP

(57) **CLAIM**

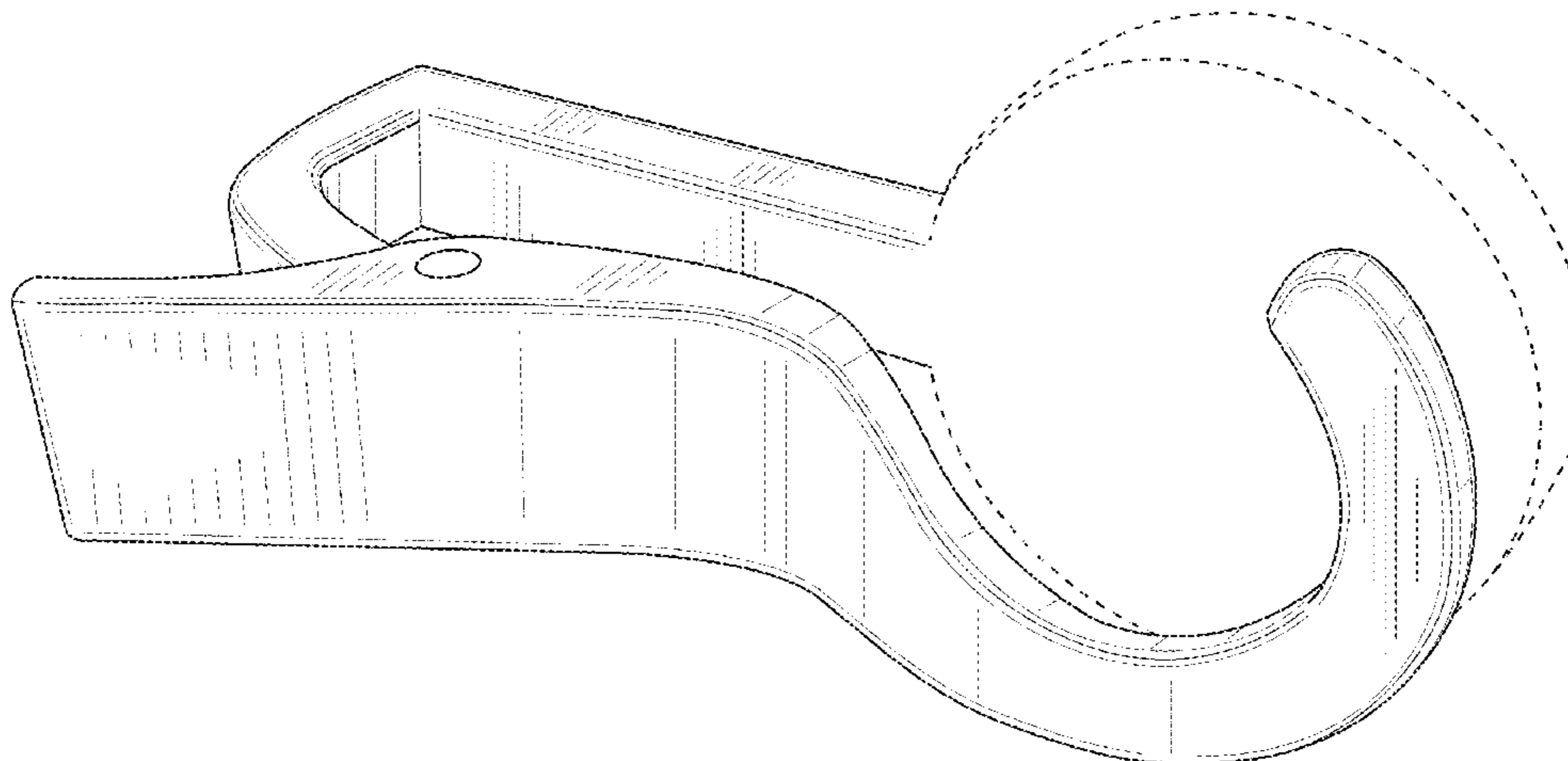
The ornamental design for a hinged button cover, as shown and described.

DESCRIPTION

FIG. 1 shows a rear perspective view of a hinged button cover; FIG. 2 shows a right side elevational view of the hinged button cover FIG. 1; FIG. 3 shows a left side elevational view of the hinged button cover of FIG. 1; FIG. 4 shows a rear elevational view of the hinged button cover of FIG. 1; FIG. 5 shows a front elevational view of the hinged button cover of FIG. 1; FIG. 6 shows a bottom plan view of the hinged button cover of FIG. 1; and, FIG. 7 shows a top plan view of hinged button cover of FIG. 1.

The broken lines shown in the drawings depict portions of the hinged button cover that form no part of the claimed design.

1 Claim, 7 Drawing Sheets



(56)

References Cited

U.S. PATENT DOCUMENTS

4,817,249 A 4/1989 Astier
 5,060,356 A 10/1991 Szedzinski
 D327,149 S * 6/1992 Harper, IV D32/61
 5,159,730 A * 11/1992 Radvin 24/543
 5,161,285 A 11/1992 Jerjian
 5,337,584 A 8/1994 Angeli
 5,361,459 A 11/1994 Hyvonen et al.
 5,379,611 A * 1/1995 Impagliazzo 63/14.1
 5,394,719 A 3/1995 Fang
 D368,589 S * 4/1996 Guio D32/61
 5,546,641 A * 8/1996 Radvin et al. 24/562
 5,621,951 A 4/1997 Gould
 5,673,465 A 10/1997 Singapuri
 D386,215 S * 11/1997 White et al. D8/395
 5,901,417 A * 5/1999 Alexiou 24/90.5
 5,944,236 A * 8/1999 Cinque 223/1
 6,035,494 A 3/2000 Duke et al.

6,463,636 B1 * 10/2002 Friedewald 24/662
 6,857,167 B2 2/2005 Bishop
 D504,576 S * 5/2005 Strollo D6/315
 7,203,999 B2 4/2007 Bagot
 7,350,274 B2 4/2008 Rogers
 7,743,471 B2 6/2010 Rogers
 8,042,233 B2 * 10/2011 Surratt 24/102 R
 D712,308 S 9/2014 Weber et al.
 D720,255 S 12/2014 Gramatikas
 2004/0226145 A1 11/2004 Ouellette et al.
 2008/0313864 A1 12/2008 Suter
 2011/0000052 A1 1/2011 Suter
 2011/0056049 A1 3/2011 Rice
 2011/0061207 A1 3/2011 Forbes
 2011/0271715 A1 11/2011 Stone
 2011/0277502 A1 11/2011 Welikson
 2012/0030863 A1 2/2012 Marasco et al.
 2012/0240356 A1 9/2012 Nathanson
 2012/0278973 A1 11/2012 Berkowitz et al.

* cited by examiner

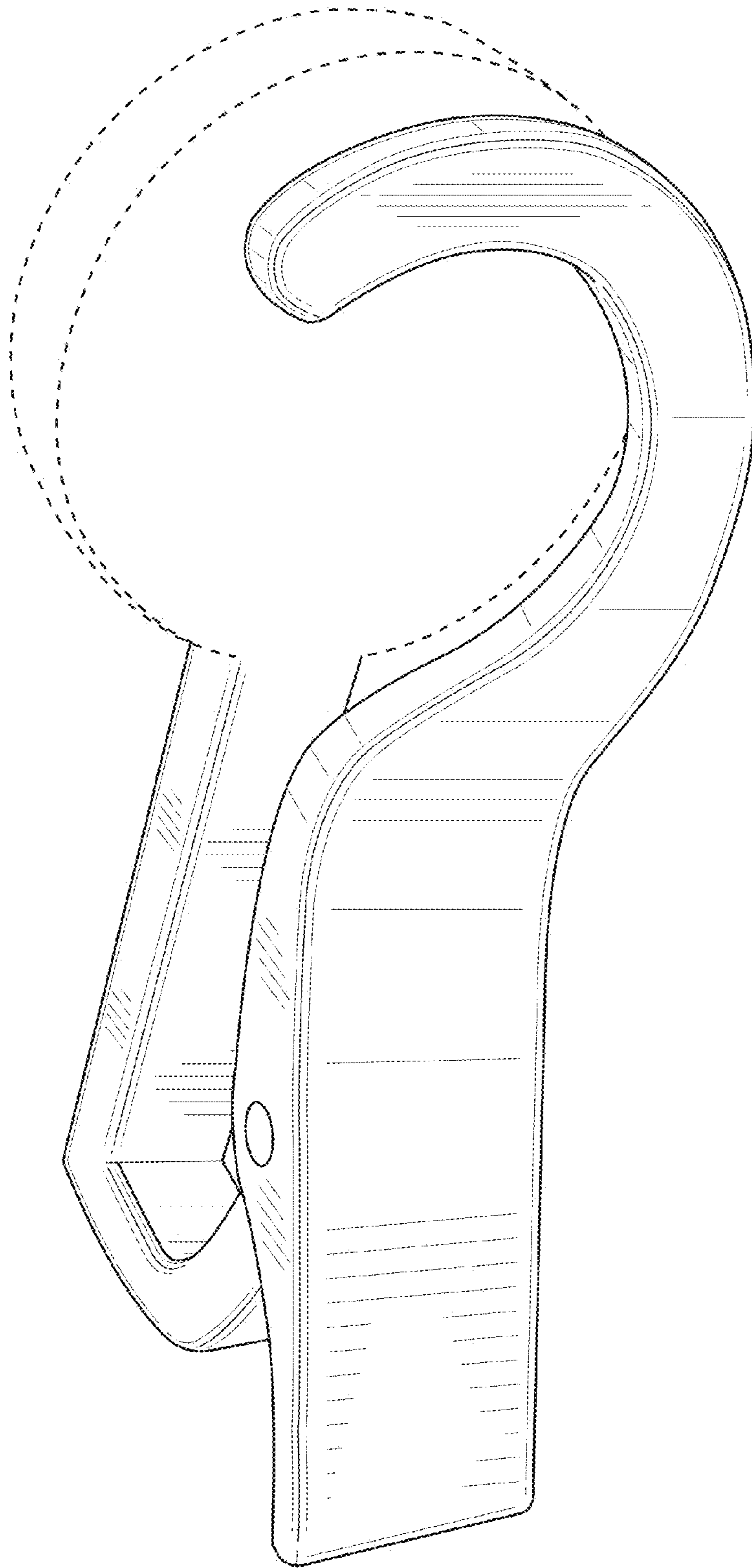


FIG. 1

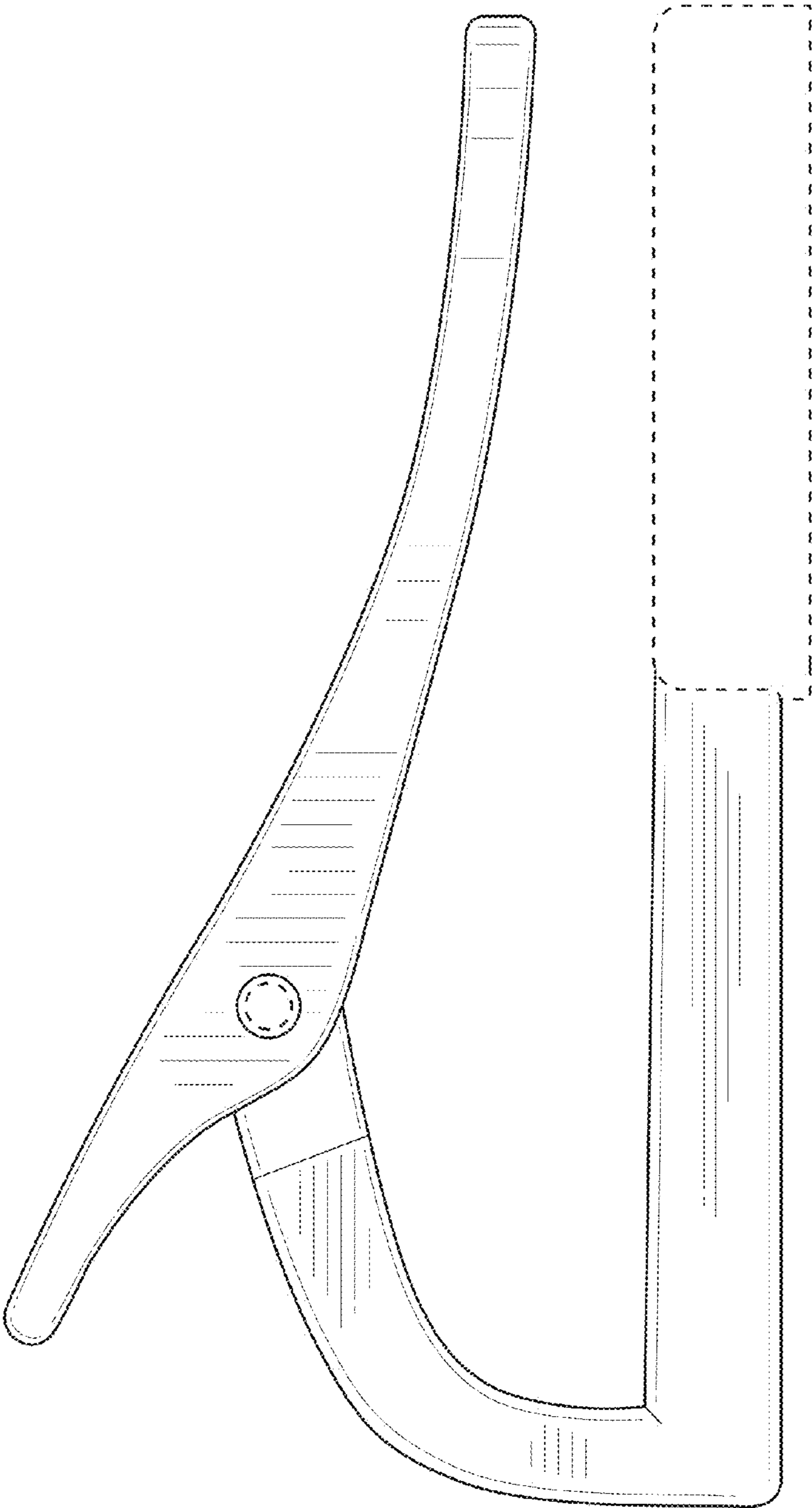


FIG. 2

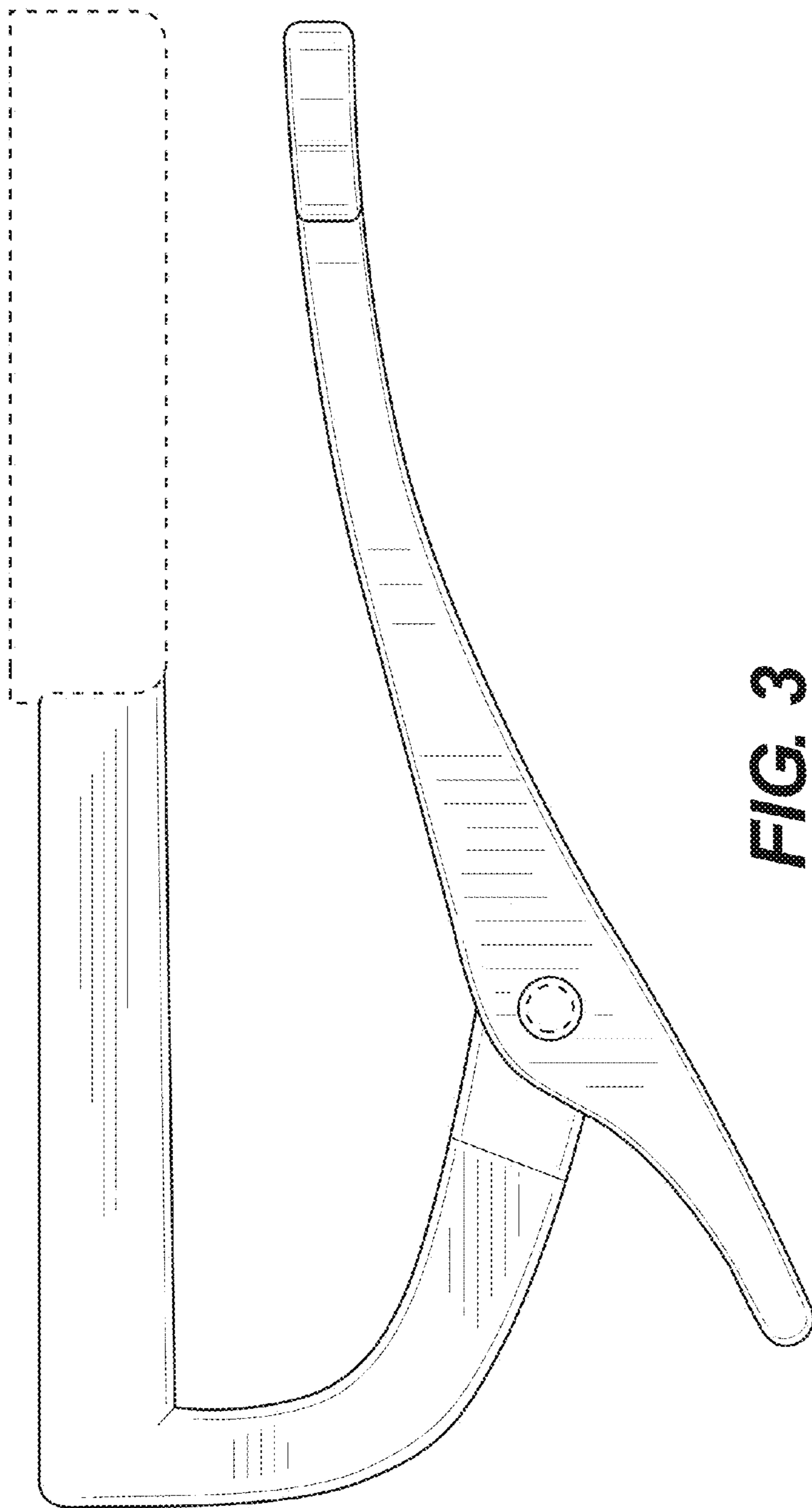


FIG. 3

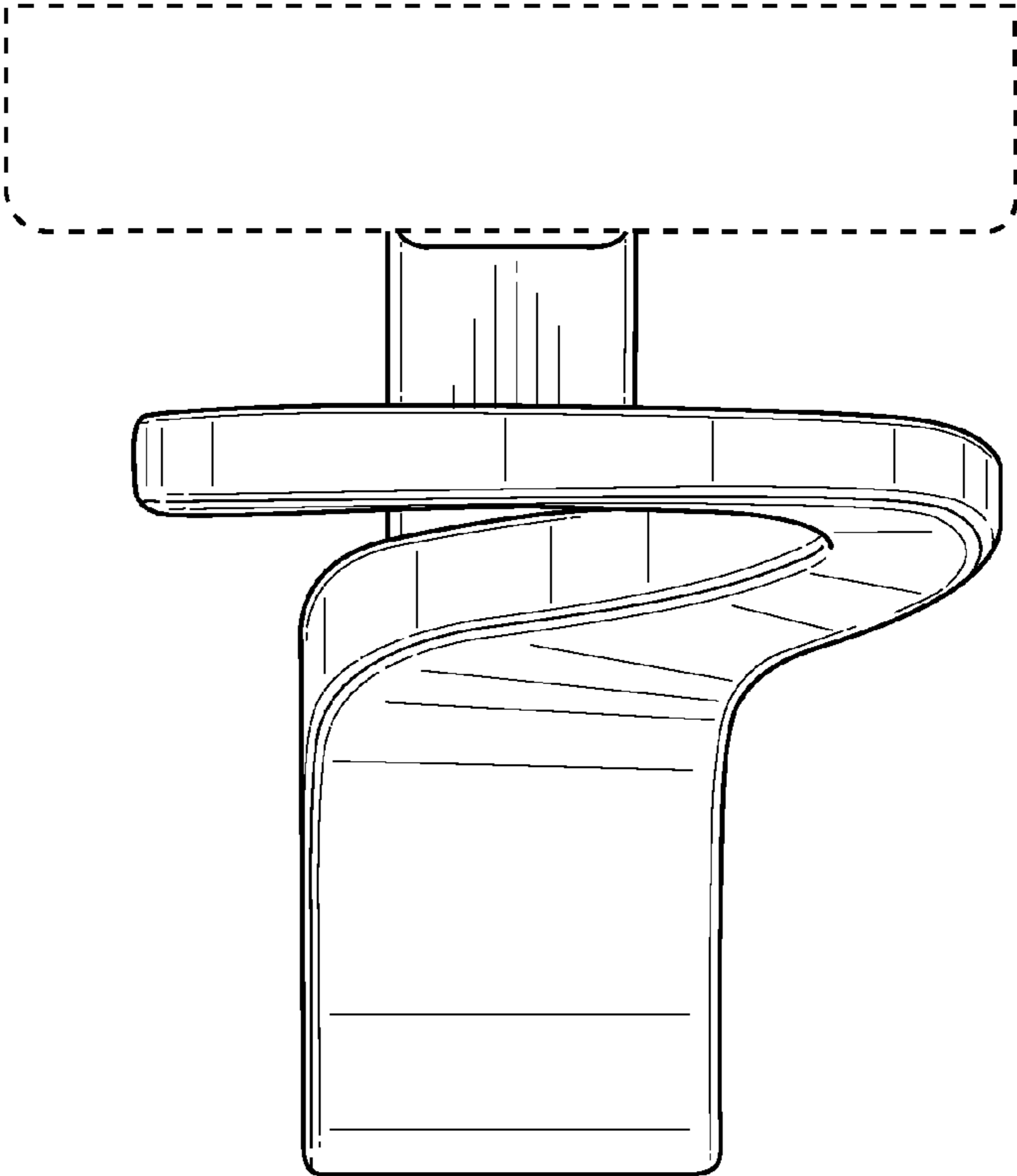


FIG. 4

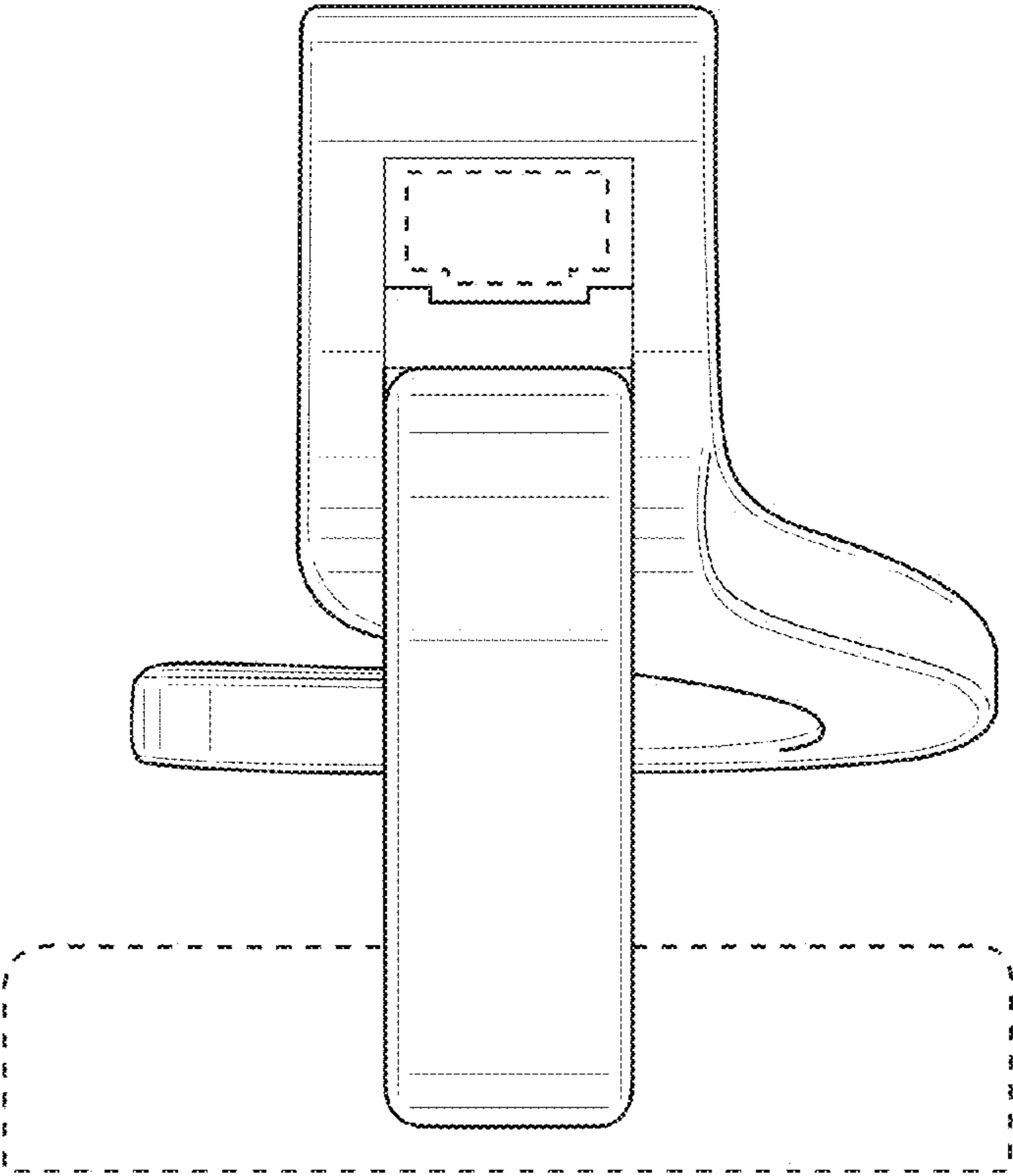


FIG. 5

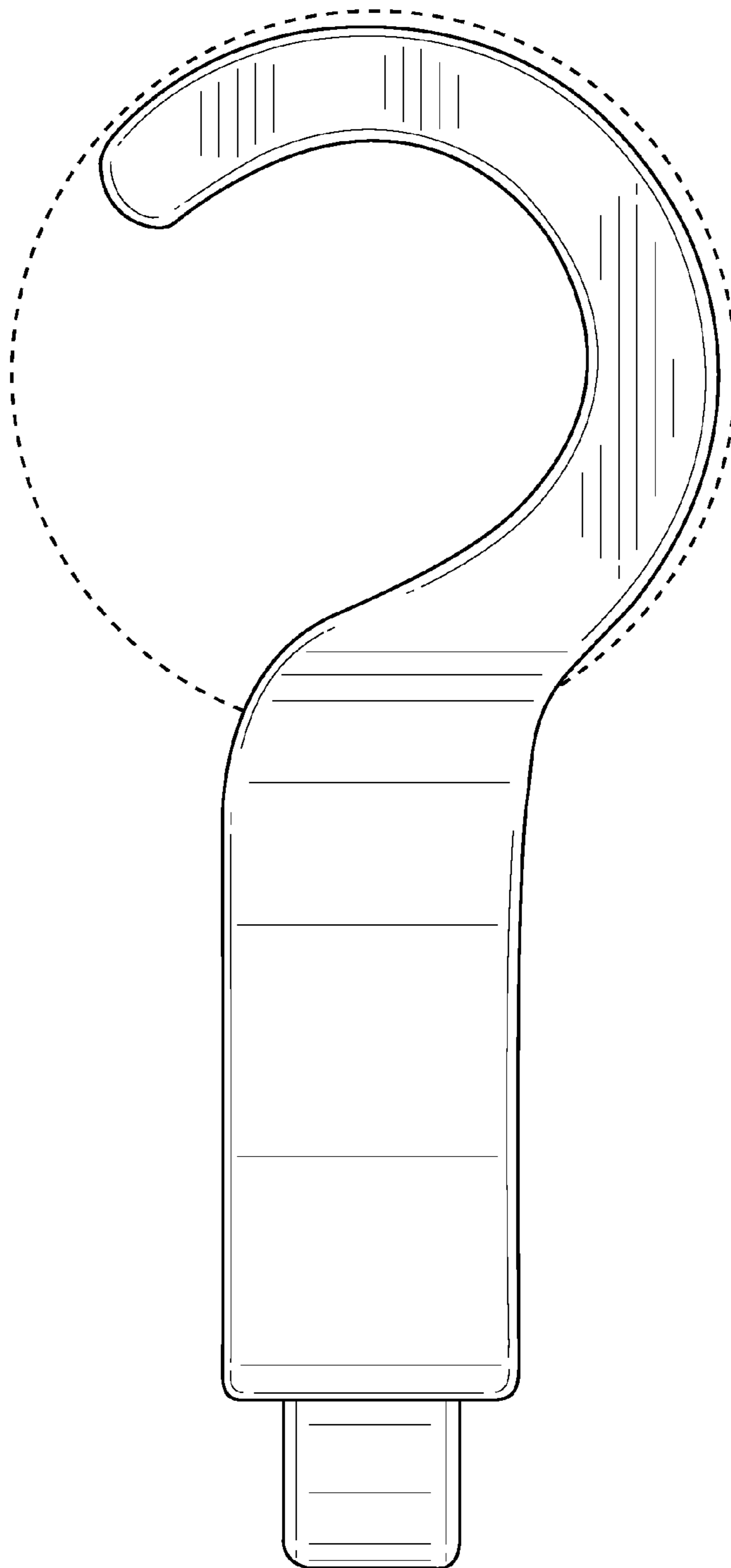


FIG. 6

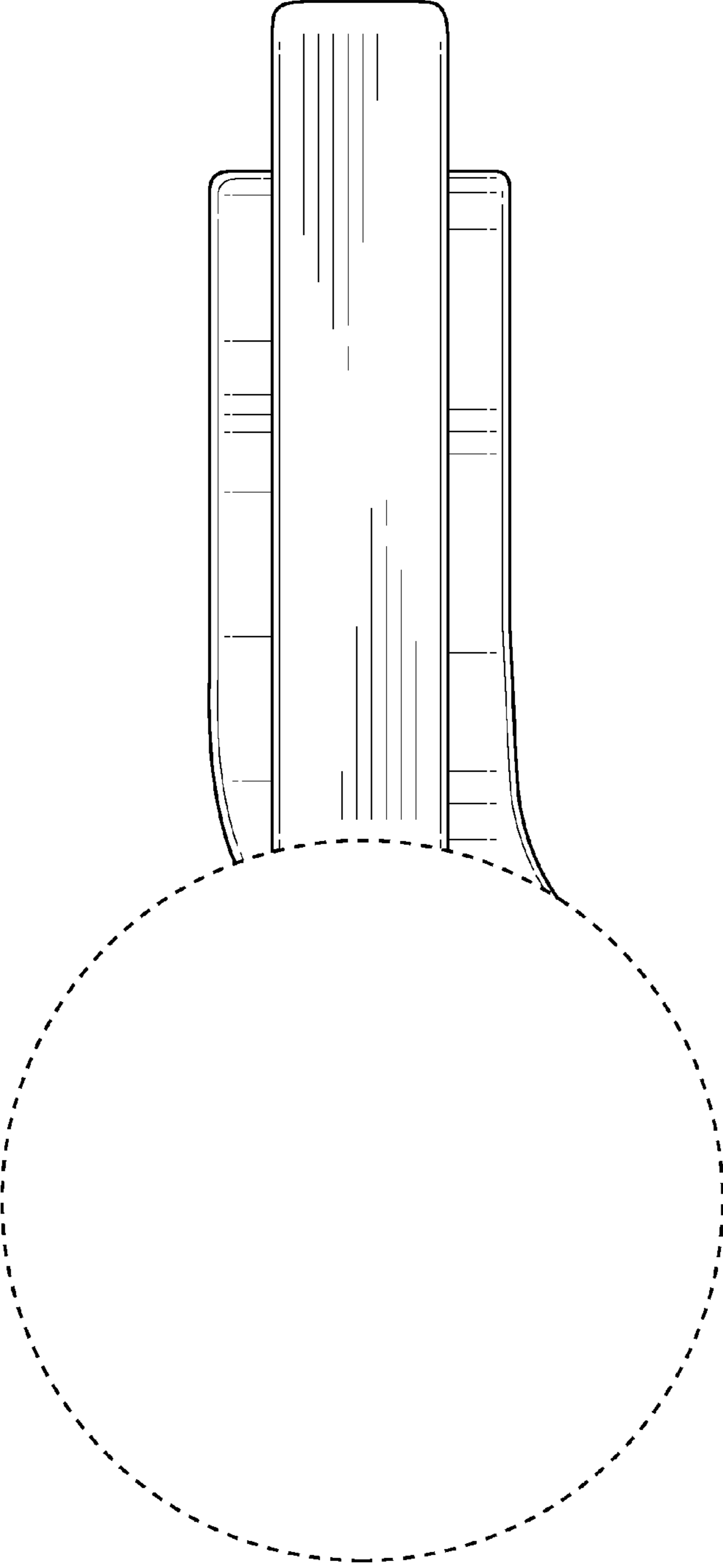


FIG. 7