



US00D744897S

(12) **United States Design Patent**
Badgett

(10) **Patent No.:** **US D744,897 S**

(45) **Date of Patent:** **** Dec. 8, 2015**

- (54) **TRI-GLIDE ADJUSTABLE BUCKLE**
- (71) Applicant: **Robert J. Badgett**, Bryan, TX (US)
- (72) Inventor: **Robert J. Badgett**, Bryan, TX (US)
- (**) Term: **14 Years**
- (21) Appl. No.: **29/518,400**
- (22) Filed: **Feb. 23, 2015**
- (51) **LOC (10) Cl.** **02-07**
- (52) **U.S. Cl.**
USPC **D11/210**
- (58) **Field of Classification Search**
USPC D11/1-2, 200-201, 206-210, 214-218;
24/163 R, 169-171, 173, 177-179, 191,
24/194-195, 197, 200, 614-616, 625, 198,
24/578.11, 578.1, 163 K, 114
CPC A44B 11/26; A44B 11/25; A44B 11/06
See application file for complete search history.

- D134,825 S * 1/1943 Petter D11/87
- 2,873,082 A * 2/1959 Gillespie F16B 2/241
248/300
- D267,909 S * 2/1983 Fildan D11/218
- D322,234 S * 12/1991 Fildan 24/200
- D333,804 S * 3/1993 Franklin D11/200
- D545,243 S * 6/2007 Gracer D11/218
- D649,087 S * 11/2011 Harada D11/218
- D671,447 S * 11/2012 Nerison, Sr. D11/210

* cited by examiner

Primary Examiner — Ralf Seifert

(74) *Attorney, Agent, or Firm* — Douglas Baldwin

(57) **CLAIM**

The ornamental design for a tri-glide adjustable buckle, as shown and described.

DESCRIPTION

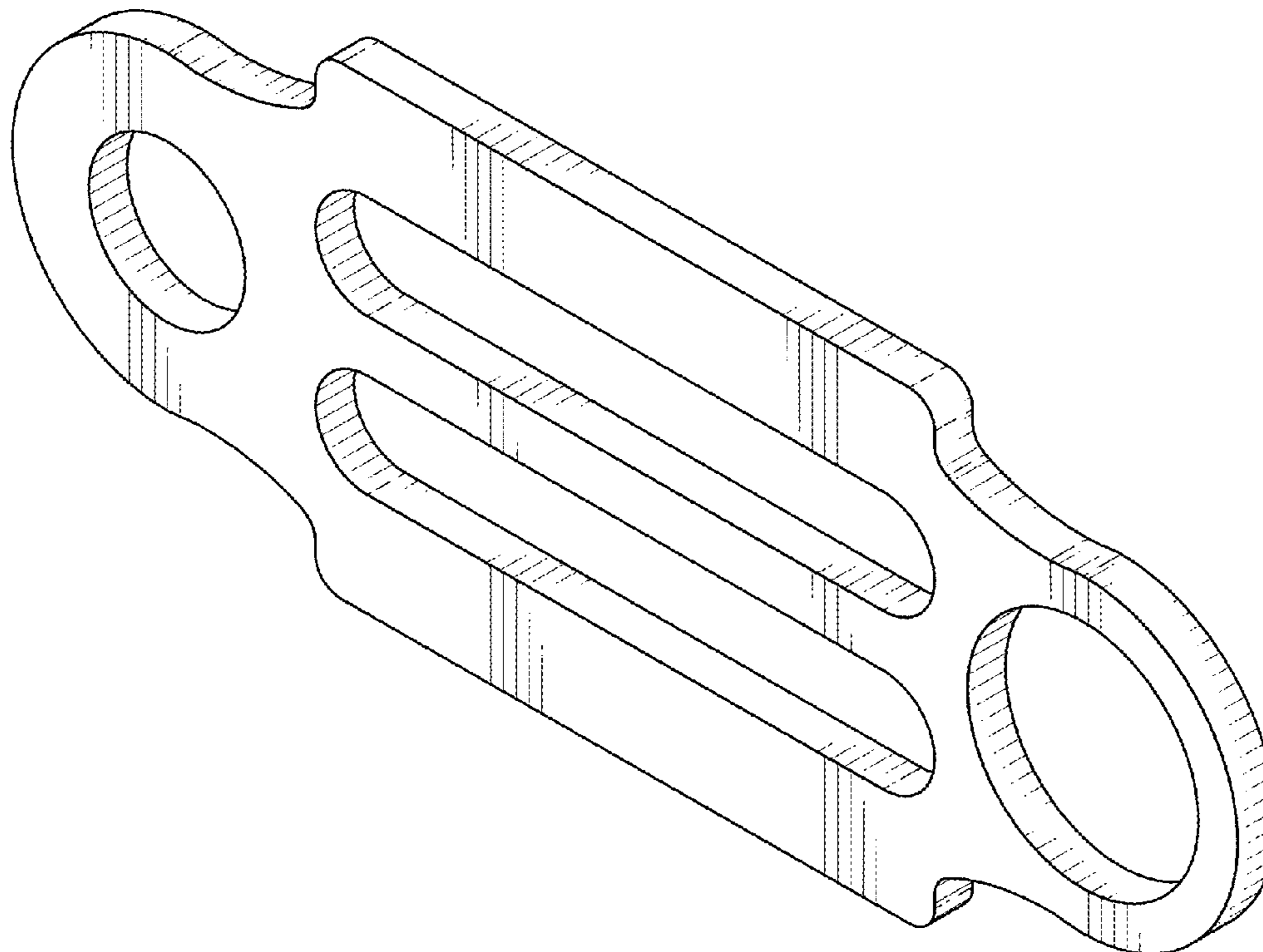
FIG. 1 is a perspective view of a tri-glide adjustable buckle showing my new design;
FIG. 2 is a front side view thereof;
FIG. 3 is a right side view thereof; and,
FIG. 4 is a top view.
The front and back views and top and bottom views are mirror images.

1 Claim, 2 Drawing Sheets

(56) **References Cited**

U.S. PATENT DOCUMENTS

- D4,621 S * 1/1871 Oldfield D11/218
- 1,049,757 A * 1/1913 Negraval A44B 11/04
2/336



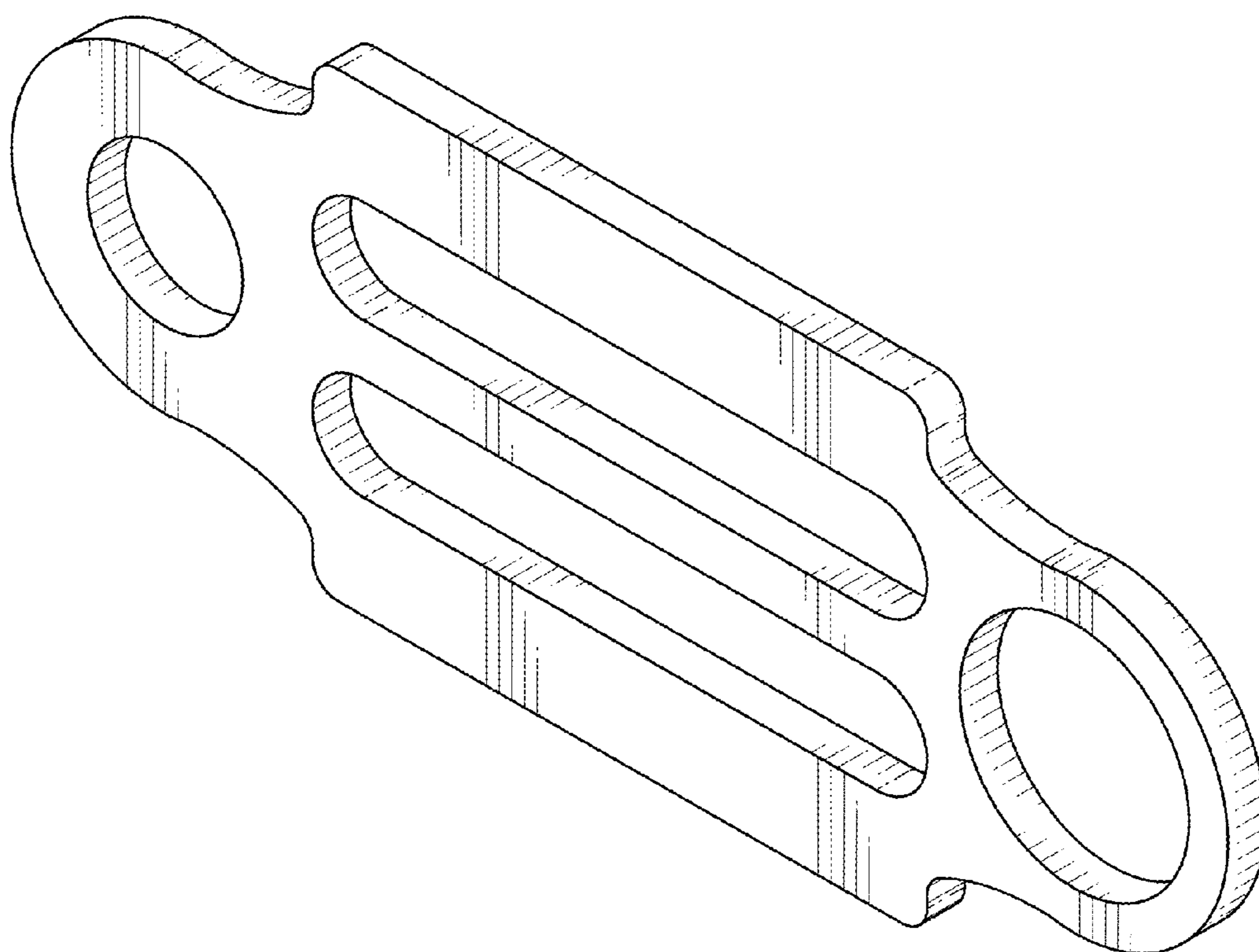


FIG. 1

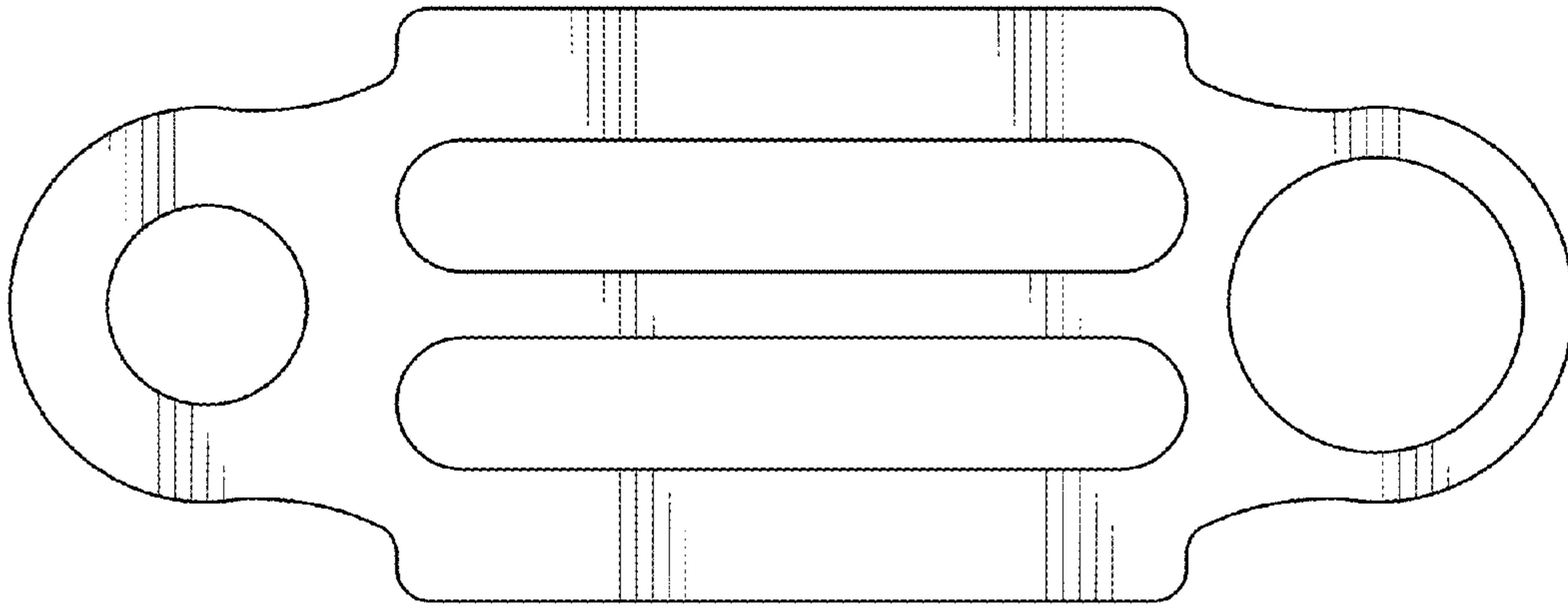


FIG. 2

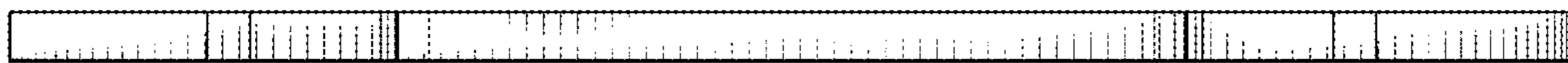


FIG. 3



FIG. 4