



US00D744895S

(12) **United States Design Patent**
Burns

(10) **Patent No.:** **US D744,895 S**

(45) **Date of Patent:** **** Dec. 8, 2015**

(54) **FISHHOOK HEART**

(71) Applicant: **Patrick Burns**, Castle Rock, WA (US)

(72) Inventor: **Patrick Burns**, Castle Rock, WA (US)

(**) Term: **14 Years**

(21) Appl. No.: **29/504,843**

(22) Filed: **Oct. 9, 2014**

(51) **LOC (10) Cl.** **11-02**

(52) **U.S. Cl.**
USPC **D11/133**

(58) **Field of Classification Search**
USPC D11/133, 209, 211, 13, 14, 44, 56, 103;
D22/126, 144; 63/10, 1.12, 13, 15;
43/43.16, 44.82, 57.1
CPC A01K 83/00; A01K 83/06; A01K 97/06;
A44C 9/0053; A44C 9/00; A44C 7/00
See application file for complete search history.

D499,045 S *	11/2004	Swartz	D11/56
D507,034 S *	7/2005	Robertson	D22/144
D553,539 S *	10/2007	Arasheben et al.	D11/83
D594,528 S *	6/2009	Ferguson et al.	D22/144
D604,195 S *	11/2009	Overson et al.	D11/103
D615,899 S *	5/2010	Sandberg	D11/1
7,959,489 B2 *	6/2011	Shaffstall	450/86
D653,473 S *	2/2012	Cute	D6/404
D682,144 S *	5/2013	Sills	D11/96
D710,239 S *	8/2014	Rice	D11/81
D717,635 S *	11/2014	Atteridge	D8/356
D723,970 S *	3/2015	Tomaselli	D11/86
D733,210 S *	6/2015	Keller et al.	D16/303

* cited by examiner

Primary Examiner — John Windmuller

Assistant Examiner — Steven Czyz

(74) *Attorney, Agent, or Firm* — Gleam Law, PLLC; Neal Juneja

(57) **CLAIM**

The ornamental design for a fishhook heart, as shown and described.

DESCRIPTION

FIG. 1 is a perspective of the fishhook heart showing the new design;

FIG. 2 is the back thereof;

FIG. 3 is the front thereof;

FIG. 4 is one side thereof;

FIG. 5 is the second side thereof;

FIG. 6 is the top thereof; and,

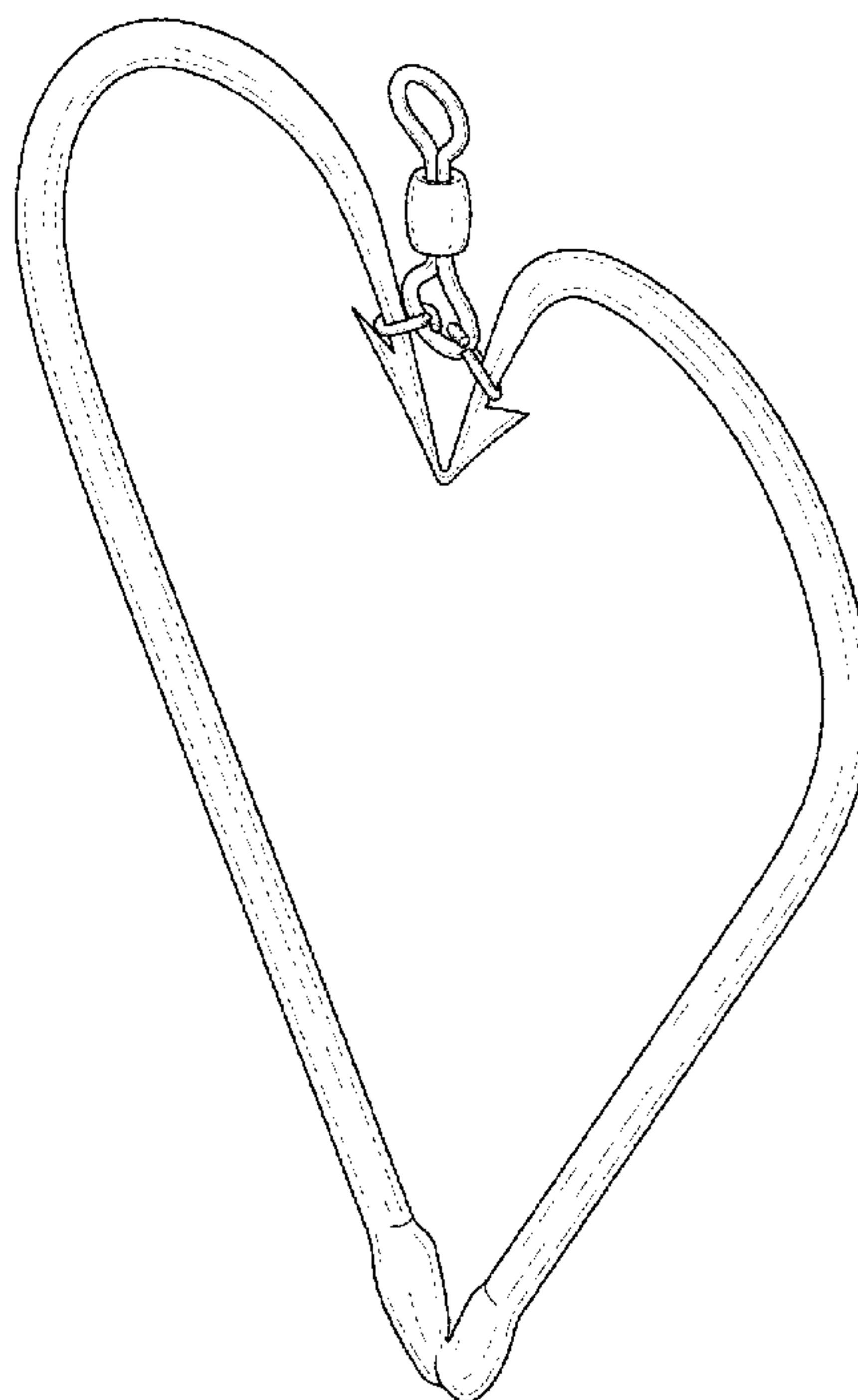
FIG. 7 is the bottom thereof.

(56) **References Cited**

U.S. PATENT DOCUMENTS

D130,943 S *	12/1941	Dawer et al.	D11/7
D253,996 S *	1/1980	Shiroka	D11/56
D258,579 S *	3/1981	Kelman	D11/4
D279,463 S *	7/1985	Barr	D11/86
D283,409 S *	4/1986	Hergert	D11/81
4,665,594 A *	5/1987	Wagner	24/546
D370,520 S *	6/1996	Kahng	D22/144
D392,716 S *	3/1998	Michael	D22/144
D487,913 S *	3/2004	Asada	D22/144

1 Claim, 3 Drawing Sheets



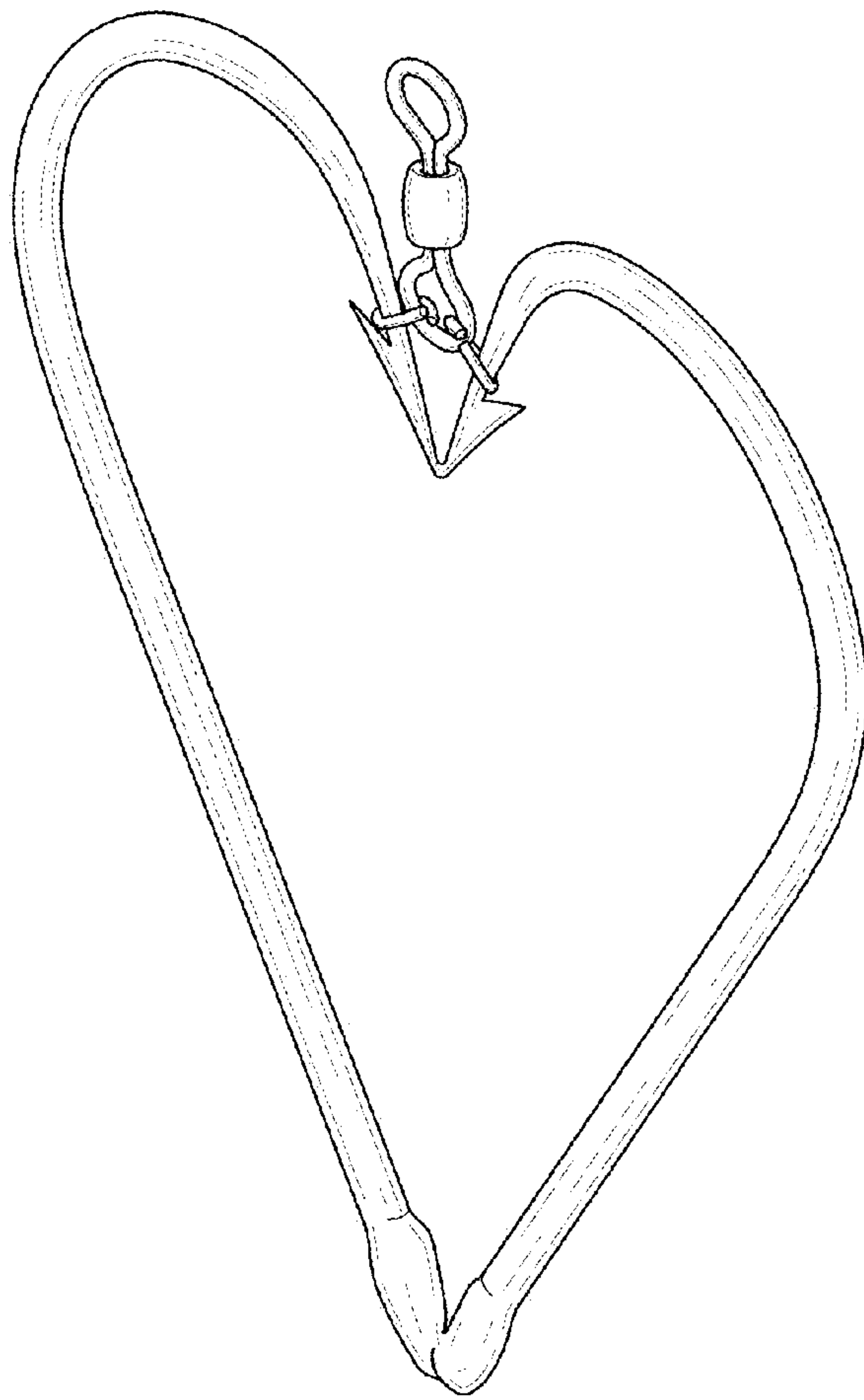


Fig. 1

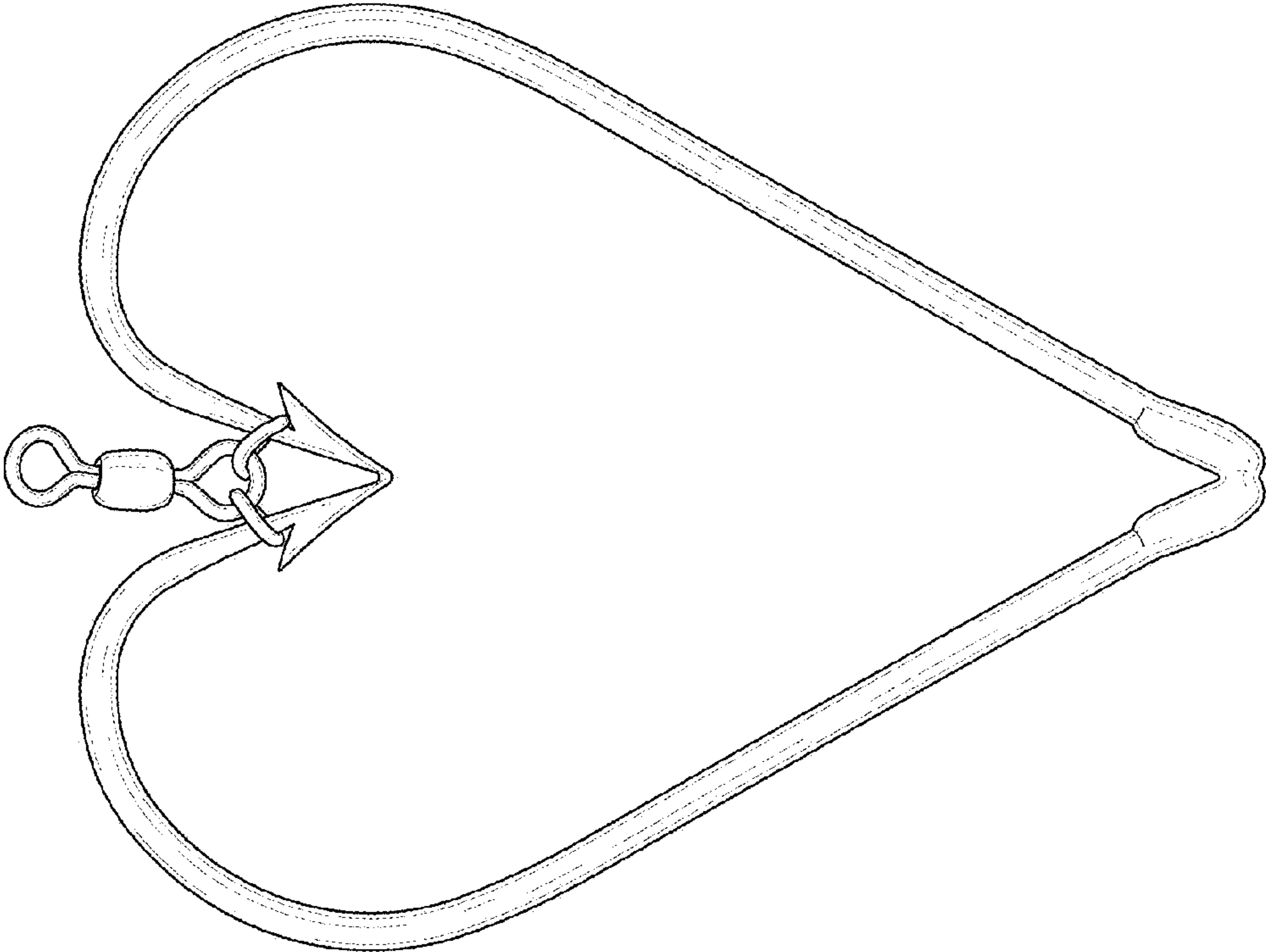


Fig. 3

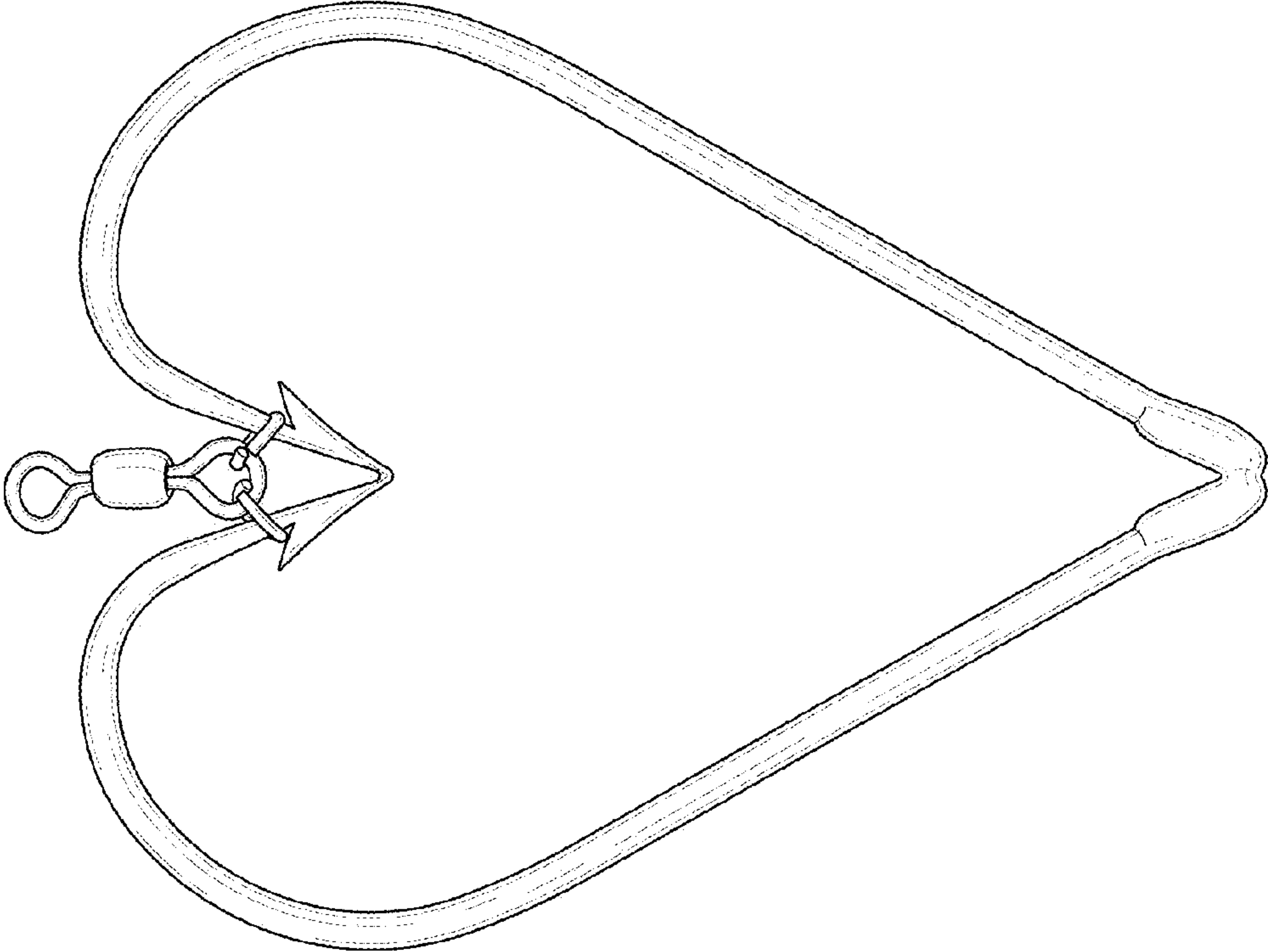


Fig. 2

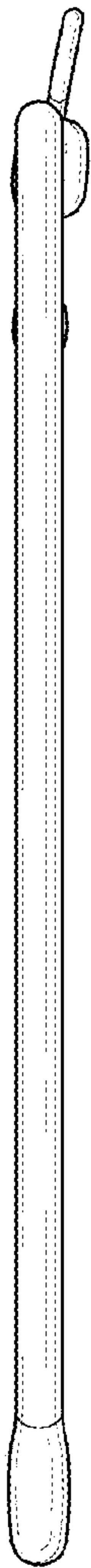


Fig. 4

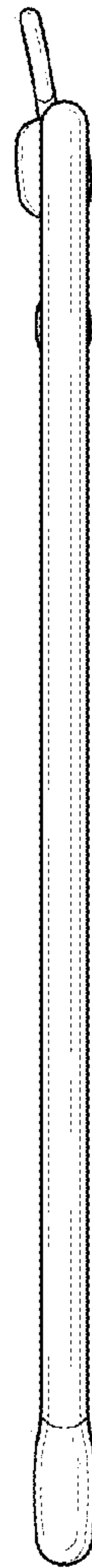


Fig. 5



Fig. 6



Fig. 7