



US00D744894S

(12) **United States Design Patent**
Cerrato

(10) **Patent No.:** **US D744,894 S**
(45) **Date of Patent:** **** Dec. 8, 2015**

(54) **FITTING LINK ELEMENT FOR WATCH**
(71) Applicant: **TUDOR WATCH U.S.A., LLC**, New York, NY (US)
(72) Inventor: **Davide Cerrato**, Geneva (CH)
(73) Assignee: **TUDOR WATCH U.S.A., LLC**, New York, NY (US)

(**) Term: **14 Years**
(21) Appl. No.: **29/494,314**
(22) Filed: **Jun. 19, 2014**

(30) **Foreign Application Priority Data**
Feb. 28, 2014 (CH) 140457
(51) **LOC (10) Cl.** **11-01**
(52) **U.S. Cl.**
USPC **D11/94**
(58) **Field of Classification Search**
USPC D11/1-25, 32, 93, 94; 59/79.2; 63/1.11,
63/3, 3.1, 3.2, 5.1, 5.2, 7-11; 224/175;
D10/30-32
CPC A44C 5/02-5/246
See application file for complete search history.

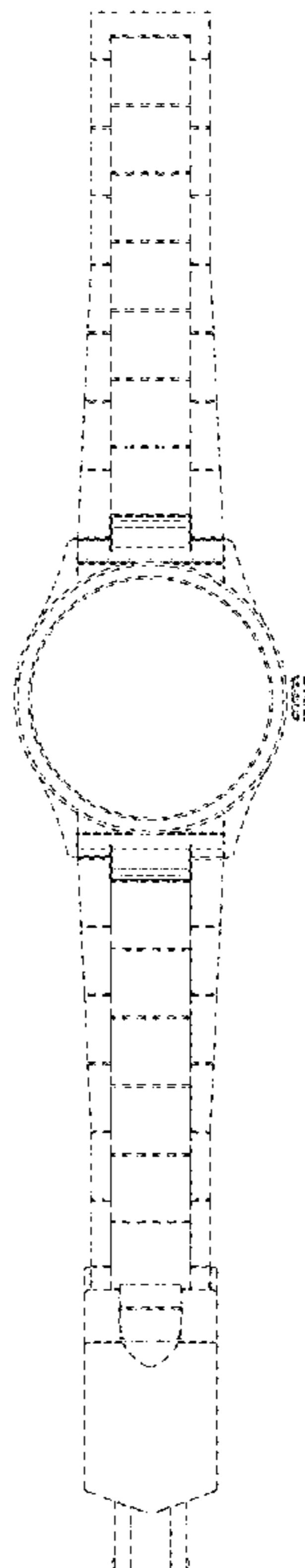
(56) **References Cited**
U.S. PATENT DOCUMENTS
D241,061 S * 8/1976 Cowan D11/93
D300,412 S * 3/1989 Guan D11/12
D308,852 S * 6/1990 Wakamatsu D11/5
D326,624 S * 6/1992 Cowan D11/19
D497,827 S * 11/2004 Yamamoto D11/3
D562,723 S * 2/2008 Lalo D11/94
* cited by examiner

Primary Examiner — Zenia Bennett
(74) *Attorney, Agent, or Firm* — Sughrue Mion, PLLC

(57) **CLAIM**
The ornamental design for a fitting link element for watch, as shown and described.

DESCRIPTION
FIG. 1 is a perspective view of the fitting link element for watch showing my design;
FIG. 2 is a front view thereof;
FIG. 3 is a rear view thereof;
FIG. 4 is a first side view thereof;
FIG. 5 is a second side view thereof;
FIG. 6 is a first end view thereof; and,
FIG. 7 is a second end view thereof. ps The broken lines are used to show environmental structure only, and form no part of the claimed invention.

1 Claim, 4 Drawing Sheets



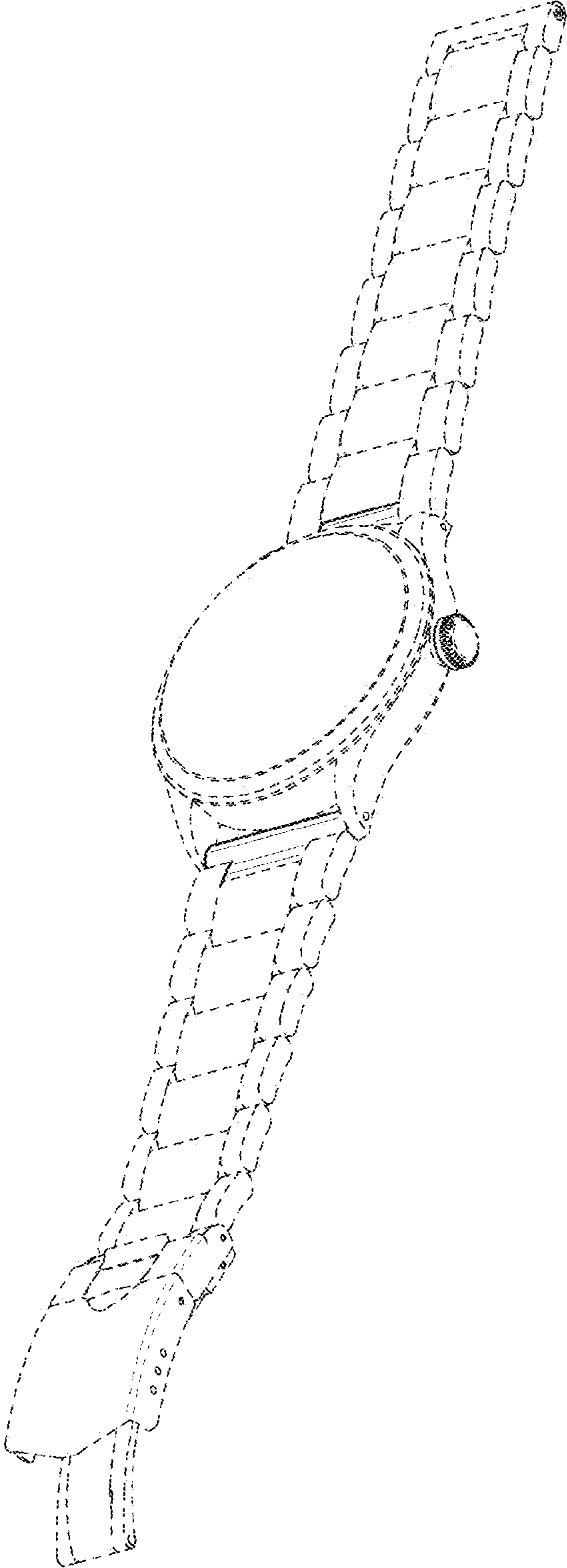


FIG. 1

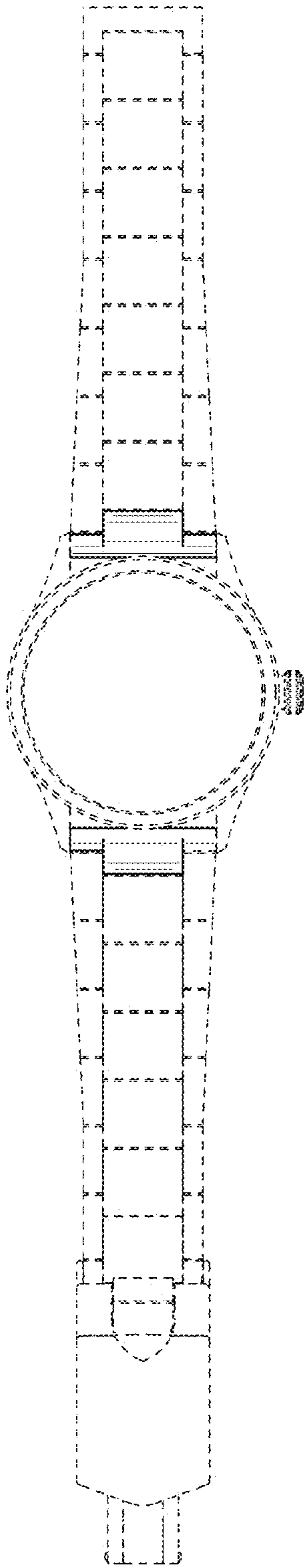


FIG. 2

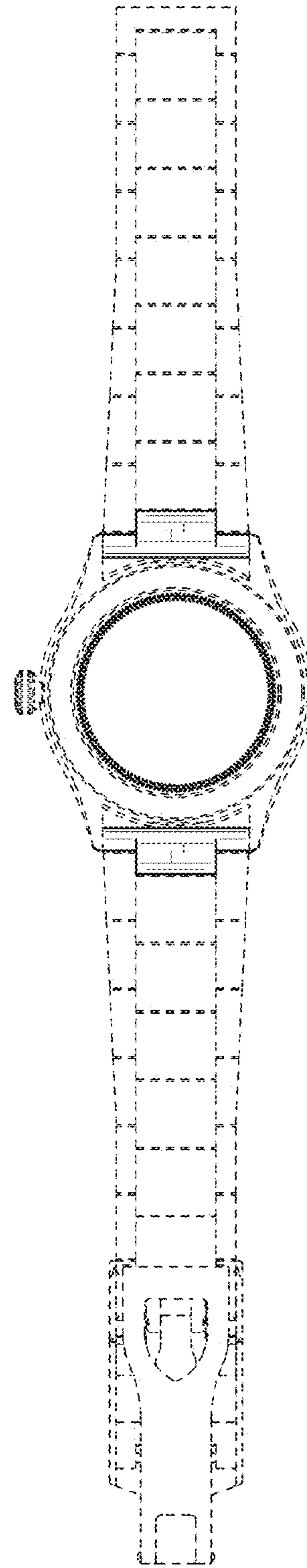


FIG. 3



FIG. 5

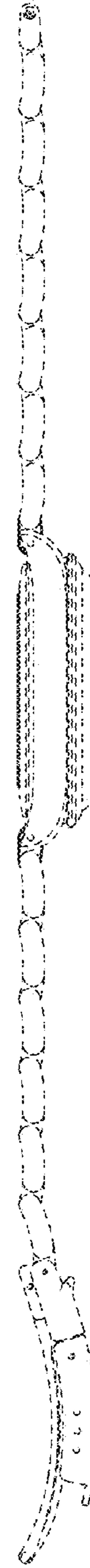


FIG. 4

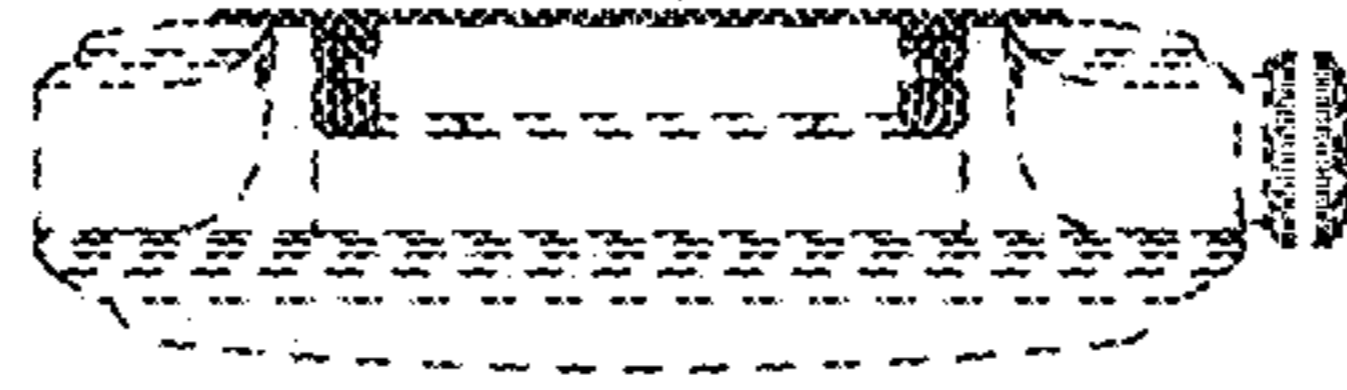


FIG. 6

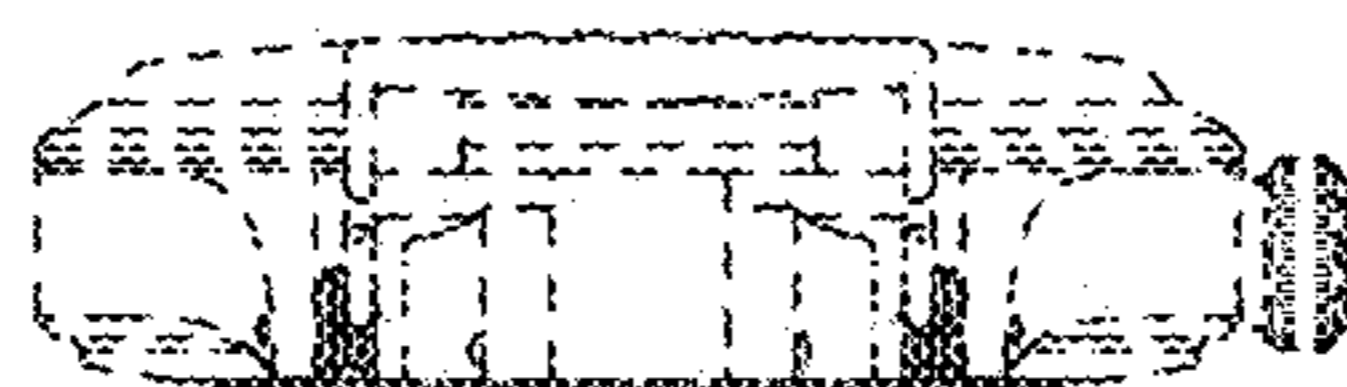


FIG. 7