



US00D744892S

(12) **United States Design Patent**  
**Wolos et al.**

(10) **Patent No.:** **US D744,892 S**

(45) **Date of Patent:** **\*\* Dec. 8, 2015**

(54) **BAND EXTENSION**

(71) Applicant: **Filip Technologies UK Ltd.**, London (GB)

(72) Inventors: **Gregory Wolos**, Cambridge, MA (US); **Sten Kirkbak**, Trondheim (NO); **Dirk Ahlgrim**, Boston, MA (US); **Timothy Proulx**, Nashua, NH (US); **Ari Adler**, Cambridge, MA (US); **Jonathan Peachey**, New York, NY (US); **Martin Hanssmann**, Portsmouth, NH (US)

(73) Assignee: **Filip Technologies, Inc.**, New York, NY (US)

(\*\*) Term: **14 Years**

(21) Appl. No.: **29/491,832**

(22) Filed: **May 26, 2014**

(51) **LOC (10) Cl.** ..... **11-01**

(52) **U.S. Cl.**  
USPC ..... **D11/87**

(58) **Field of Classification Search**  
USPC ..... D11/32, 93, 94; 59/78, 79.2; 63/1.11, 3, 63/3.1, 3.2, 5.1, 5.2, 7-11; 224/175; D10/30-32  
CPC ..... A44C 5/02-5/246  
See application file for complete search history.

(56) **References Cited**

**U.S. PATENT DOCUMENTS**

3,947,932 A \* 4/1976 Flynn ..... 24/616  
4,881,305 A \* 11/1989 Rivera ..... 24/616

5,008,984 A \* 4/1991 Levy ..... 24/303  
5,317,789 A \* 6/1994 Levy ..... 24/303  
6,112,373 A \* 9/2000 Steinhauer et al. .... 24/68 J  
D619,928 S \* 7/2010 Bodino et al. .... D11/231  
8,375,532 B2 \* 2/2013 Yakubovich et al. .... 24/650  
D710,480 S \* 8/2014 Fitzpatrick et al. .... D22/108  
2011/0141697 A1 \* 6/2011 Fujii et al. .... 361/707

\* cited by examiner

*Primary Examiner* — Zenia Bennett

(74) *Attorney, Agent, or Firm* — Ballard Spahr LLP

(57) **CLAIM**

The ornamental design for a band extension, as shown and described.

**DESCRIPTION**

FIG. 1 is an isometric view of an embodiment of our design for a band extension;

FIG. 2 is a top view of the design for a band extension shown in FIG. 1;

FIG. 3 is a bottom view of the design for a band extension shown in FIG. 1;

FIG. 4 is a left side view of the design for a band extension shown in FIG. 1;

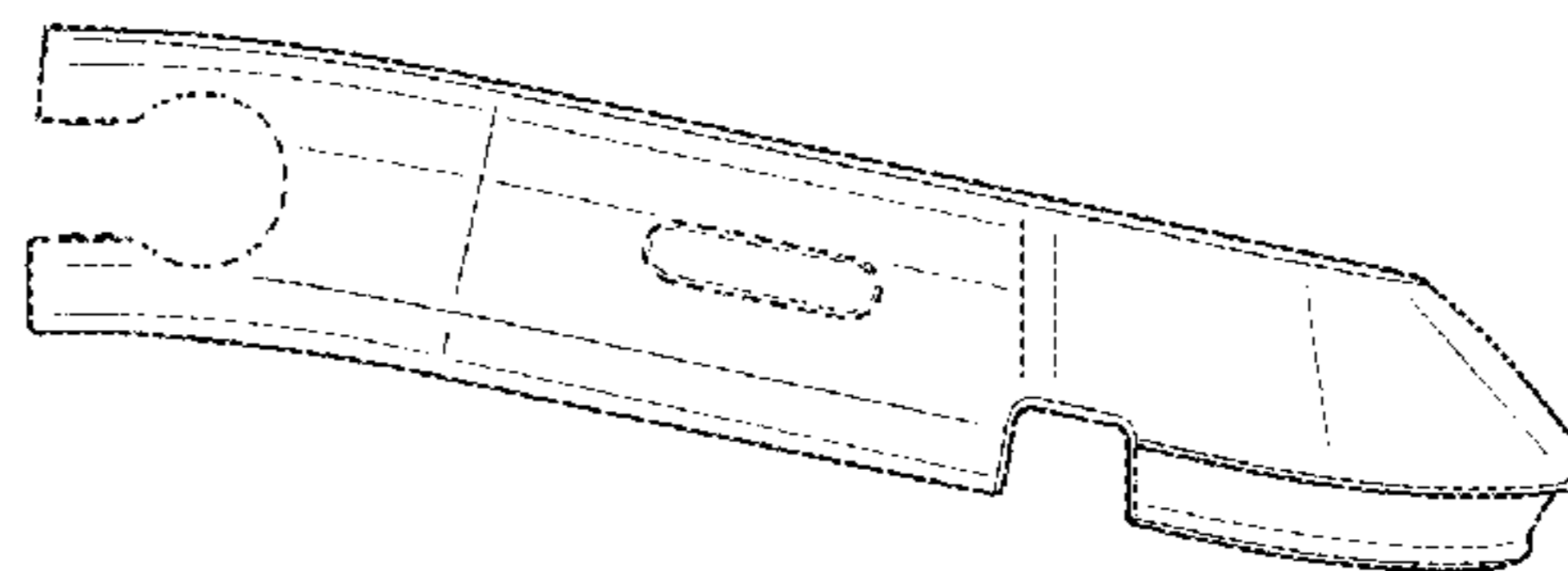
FIG. 5 is a right side view of the design for a band extension shown in FIG. 1;

FIG. 6 is an end view of the design for a band extension shown in FIG. 1; and,

FIG. 7 is a second end view of the design for a band extension shown in FIG. 1.

The broken lines in the Figures are for illustrative purposes only and form no part of the claimed design.

**1 Claim, 5 Drawing Sheets**



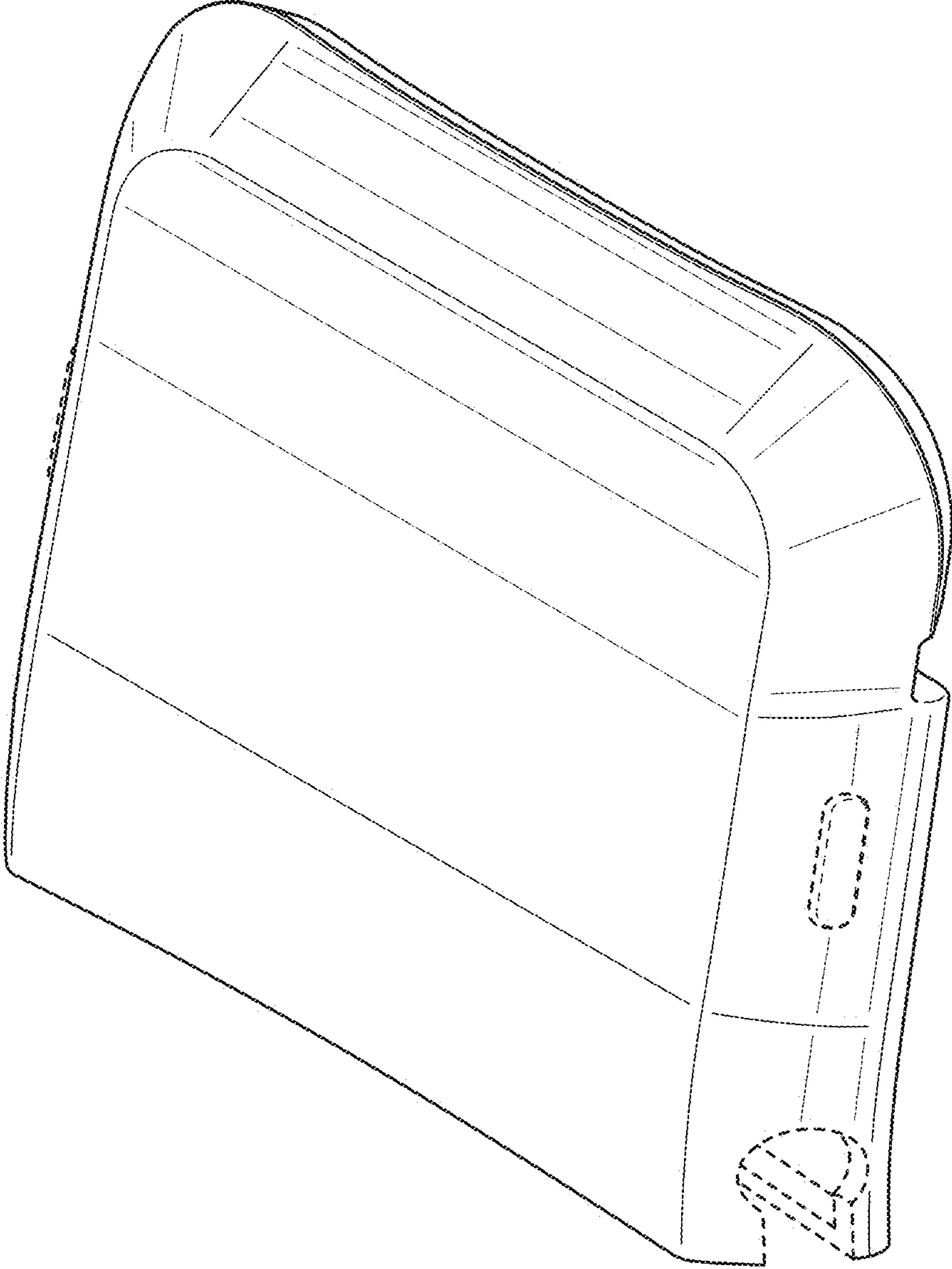


FIG. 1

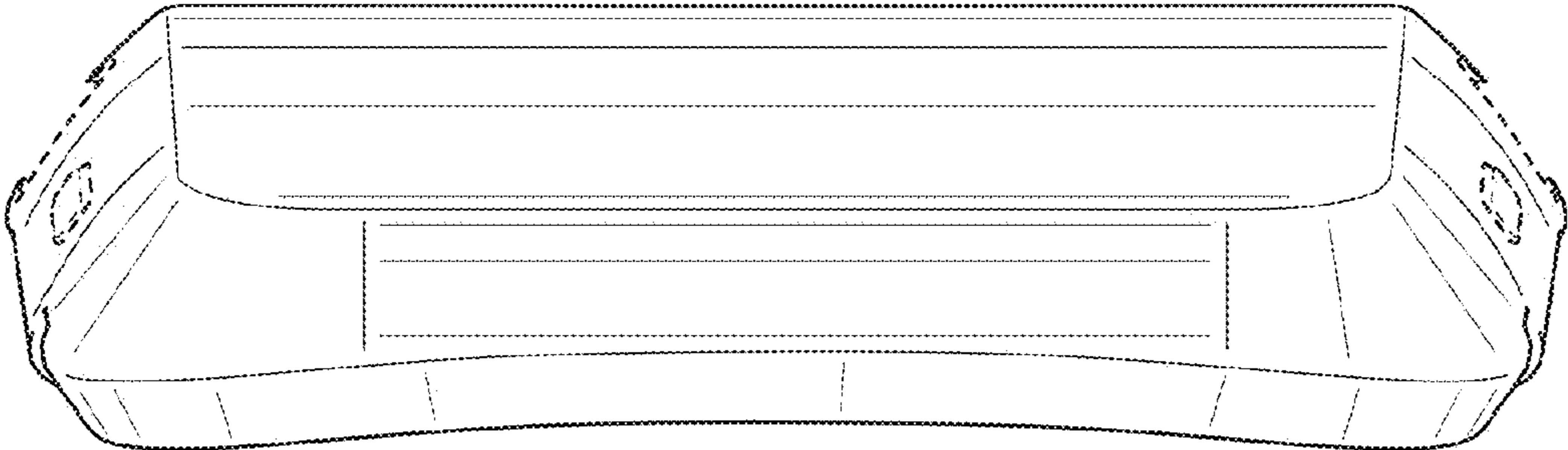


FIG. 2

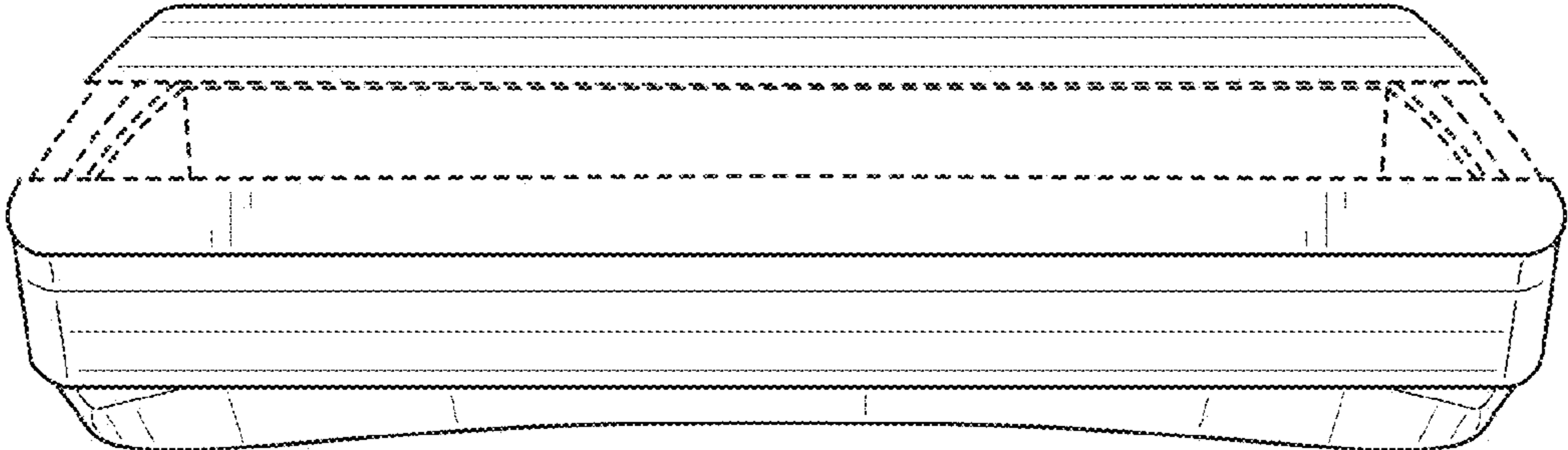


FIG. 3

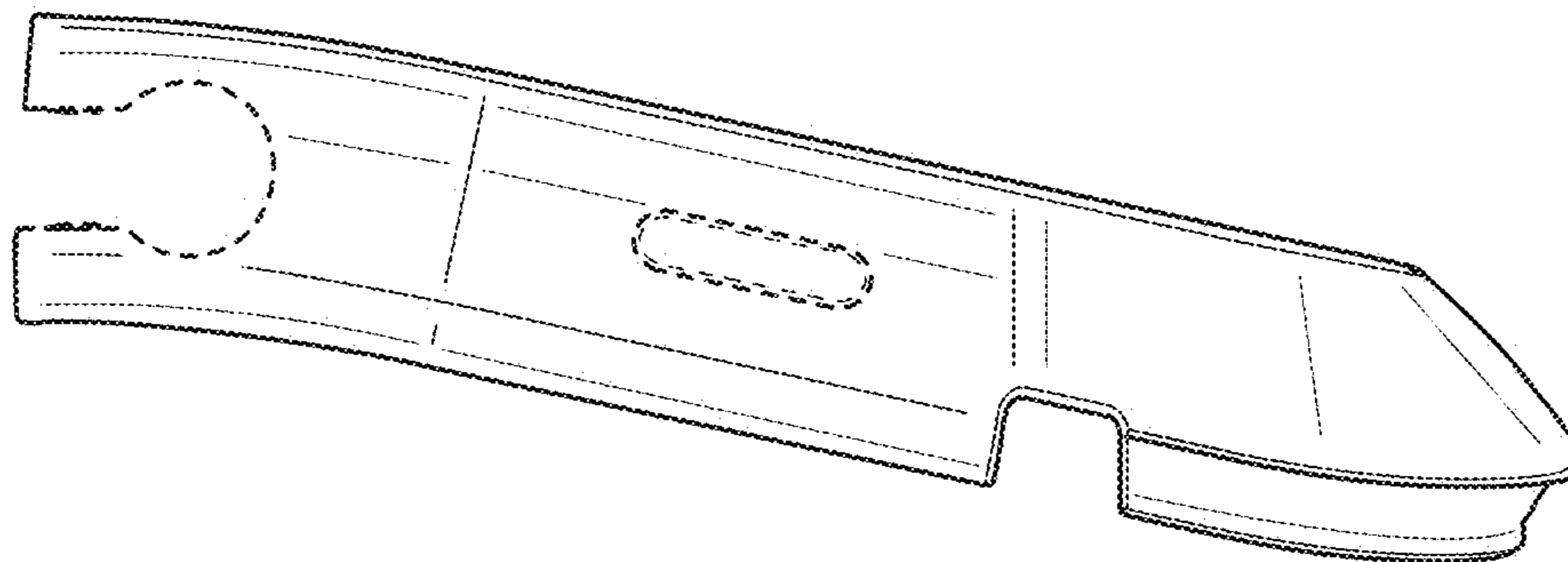


FIG. 4

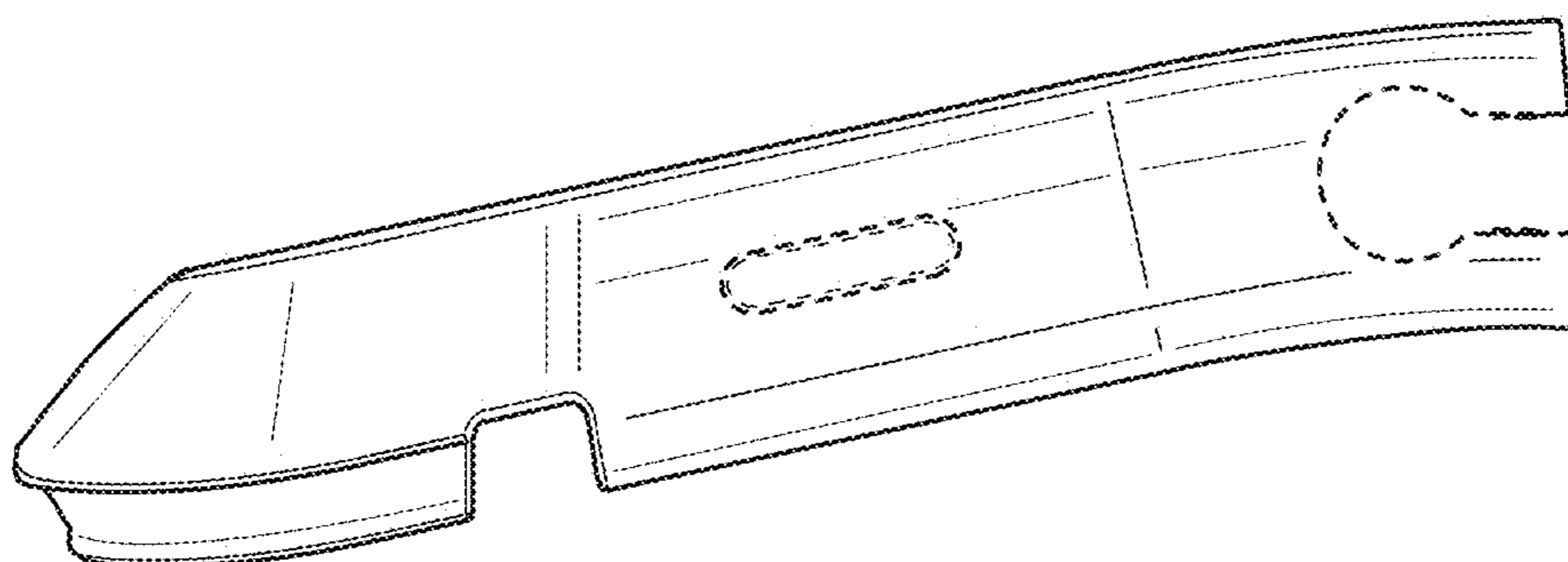


FIG. 5

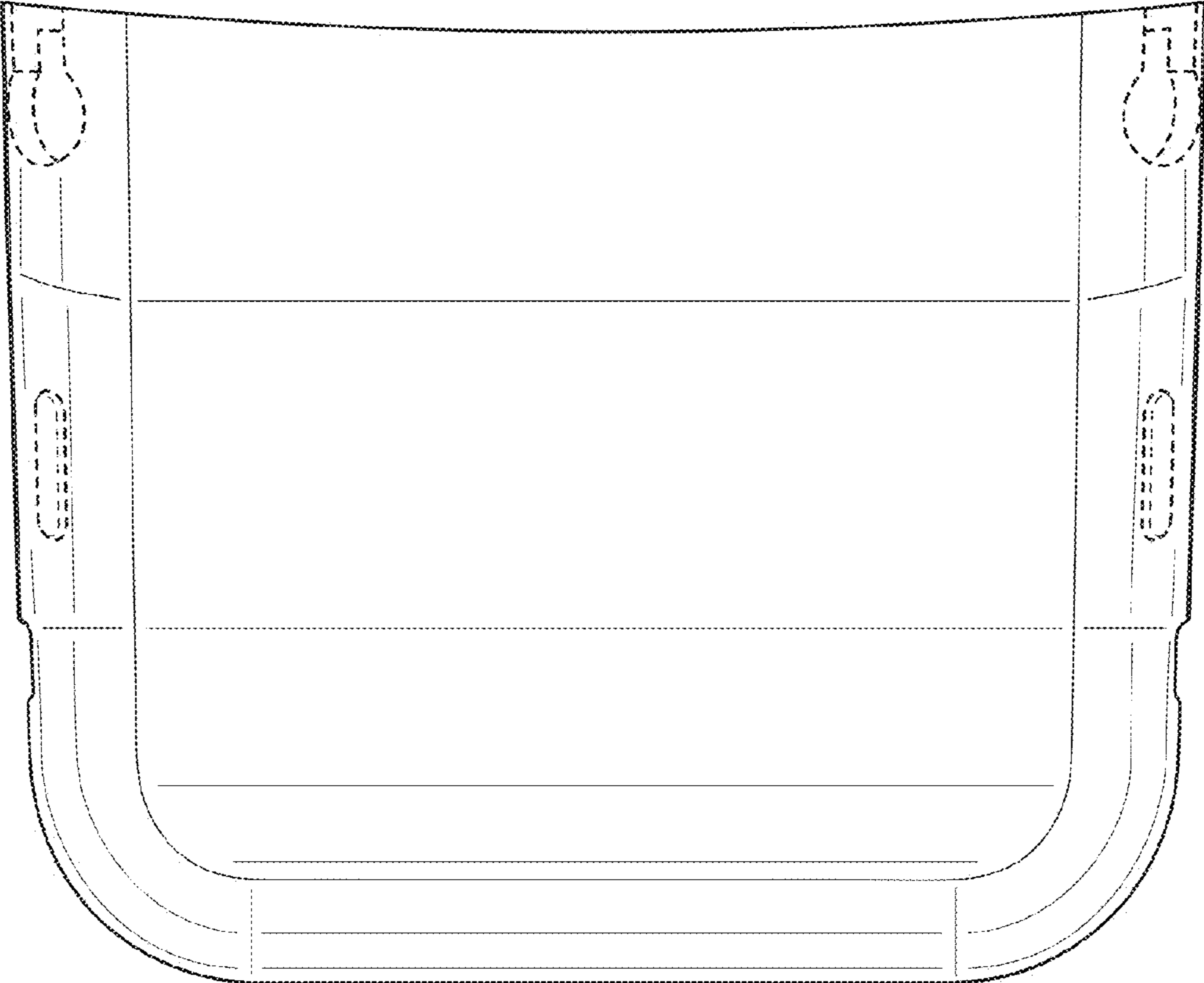


FIG. 6

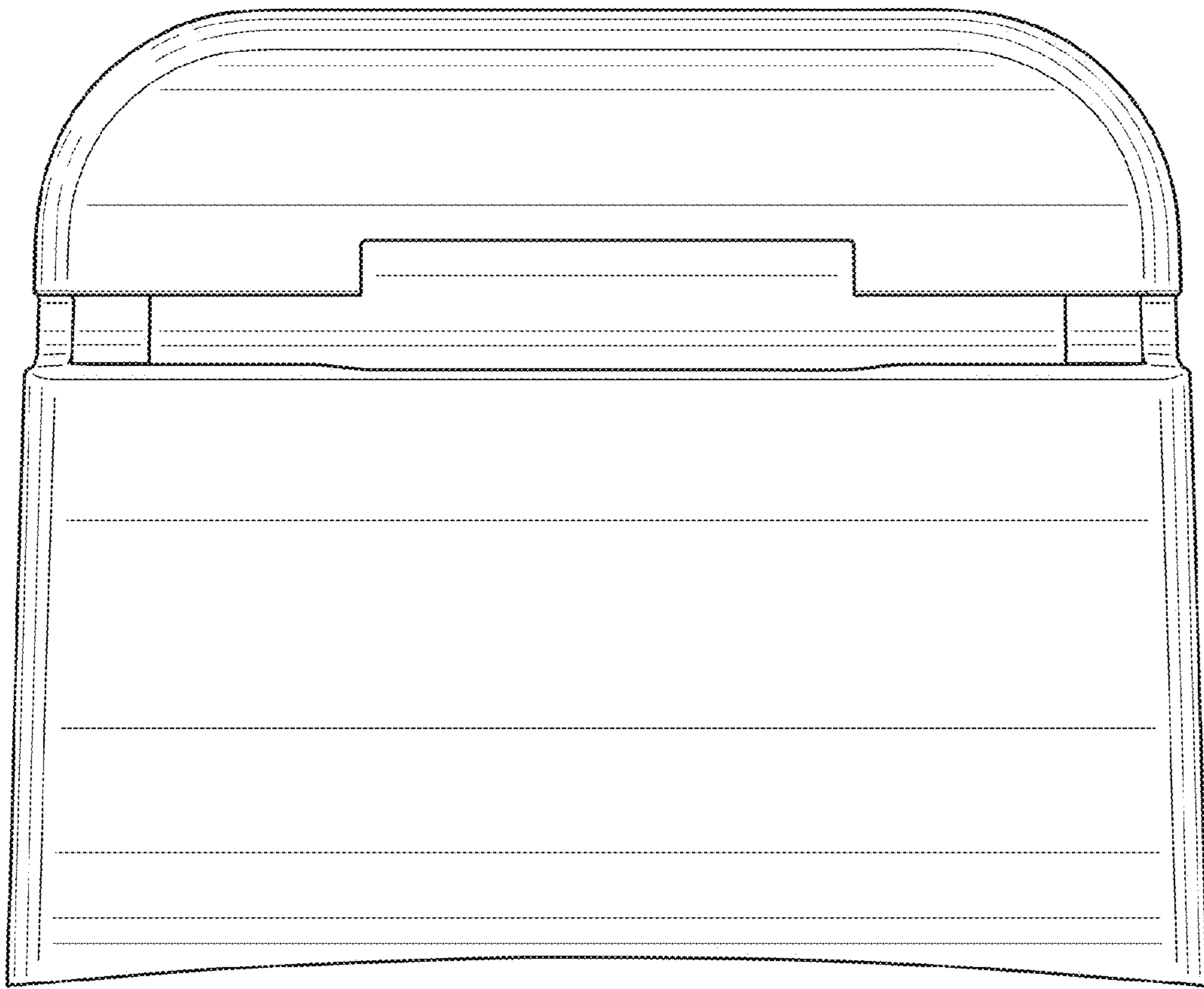


FIG. 7