



US00D744880S

(12) **United States Design Patent**
Smith et al.

(10) **Patent No.:** **US D744,880 S**

(45) **Date of Patent:** **** Dec. 8, 2015**

(54) **SCIENTIFIC INSTRUMENT**

- (71) Applicant: **Molecular Devices, LLC**, Sunnyvale, CA (US)
- (72) Inventors: **Thomas L. Smith**, Campbell, CA (US); **Grischa Chandy**, Fremont, CA (US); **Nicholas F. Talesfore**, Los Gatos, CA (US); **Joseph McArdle**, Cupertino, CA (US)
- (73) Assignee: **Molecular Devices, LLC**, Sunnyvale, CA (US)

(**) Term: **14 Years**

(21) Appl. No.: **29/511,283**

(22) Filed: **Dec. 9, 2014**

(51) **LOC (10) Cl.** **10-04**

(52) **U.S. Cl.**
USPC **D10/81; D24/232**

(58) **Field of Classification Search**
 USPC D10/46, 81; D24/185, 186, 216, 232, 234, 233, 234
 CPC G01N 21/35; G01N 21/3504; G01N 21/3518; G01N 21/3522; G01N 21/3527; G01N 21/3531; G01N 21/3536; G01N 21/354; G01N 21/3545; G01N 21/355; G01N 21/3554; G01N 21/3559; G01N 21/3563; G01N 21/3577; G01N 21/3581

See application file for complete search history.

(56) **References Cited**

U.S. PATENT DOCUMENTS

D256,726 S *	9/1980	Meuli	D10/81
D269,810 S *	7/1983	Mace	D24/186
D297,763 S *	9/1988	Daynes	D24/186
D686,335 S *	7/2013	Feuerabend	D24/216
D731,910 S *	6/2015	Muraoka	D10/81

* cited by examiner

Primary Examiner — Antoine D Davis

(74) *Attorney, Agent, or Firm* — Bella Fishman

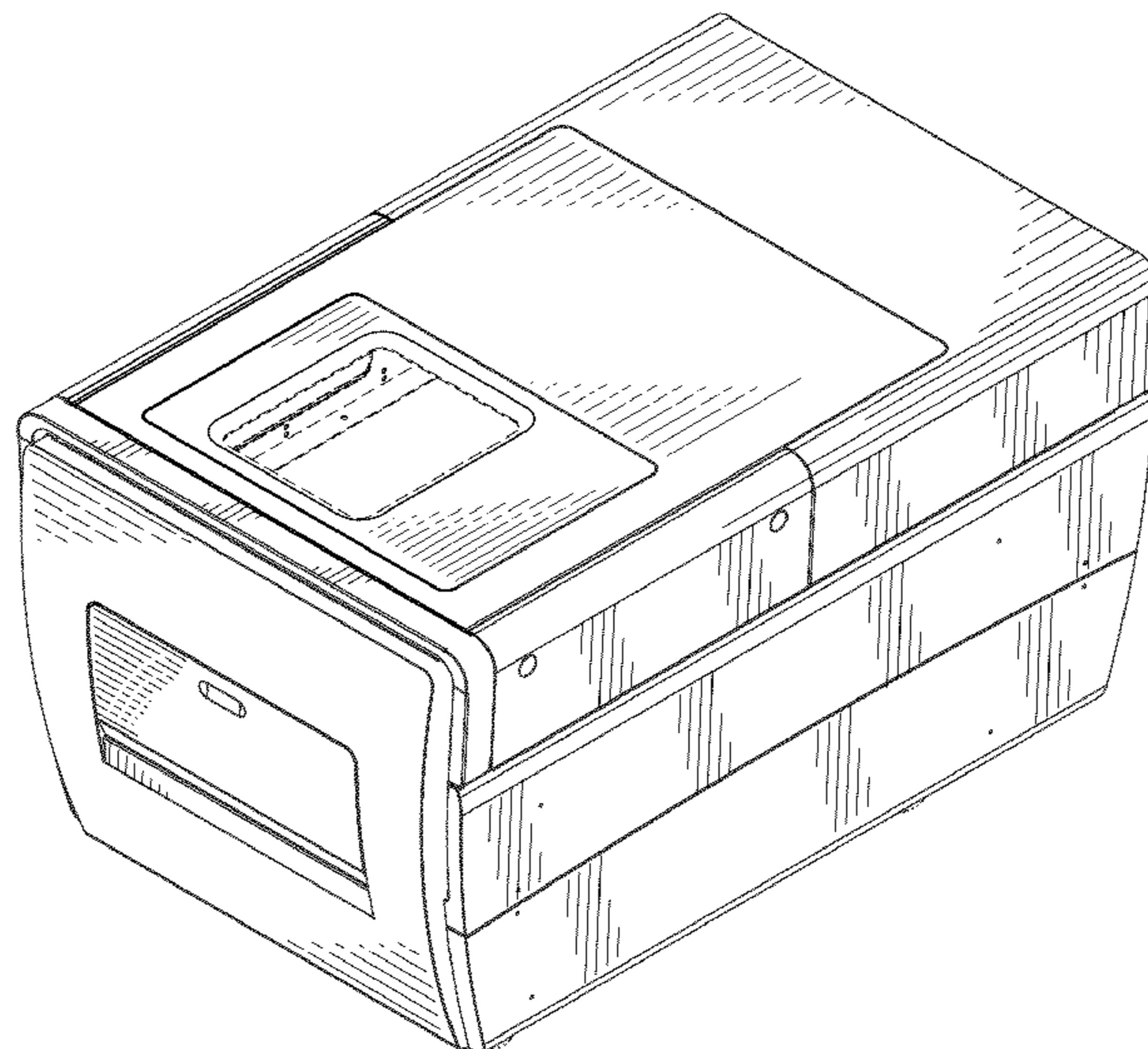
(57) **CLAIM**

The ornamental design for a scientific instrument, as shown and described.

DESCRIPTION

FIG. 1 is a perspective view of the scientific instrument according to one embodiment of the invention;
 FIG. 2 is another perspective view of the scientific instrument according to one embodiment of the invention;
 FIG. 3 is another perspective view of the scientific instrument according to one embodiment of the invention;
 FIG. 4 is a top view of the scientific instrument according to one embodiment of the invention;
 FIG. 5 is a bottom view of the scientific instrument according to one embodiment of the invention;
 FIG. 6 is a front view of the scientific instrument according to one embodiment of the invention;
 FIG. 7 is a back view opposing the front view of FIG. 6 of the scientific instrument according to one embodiment of the invention; and,
 FIG. 8 is a side view of the scientific instrument, the opposing side being a mirror image thereof, according to one embodiment of the invention.
 The dashed lines in various figures are for illustrative purposes only and form no part of the claimed design.

1 Claim, 6 Drawing Sheets



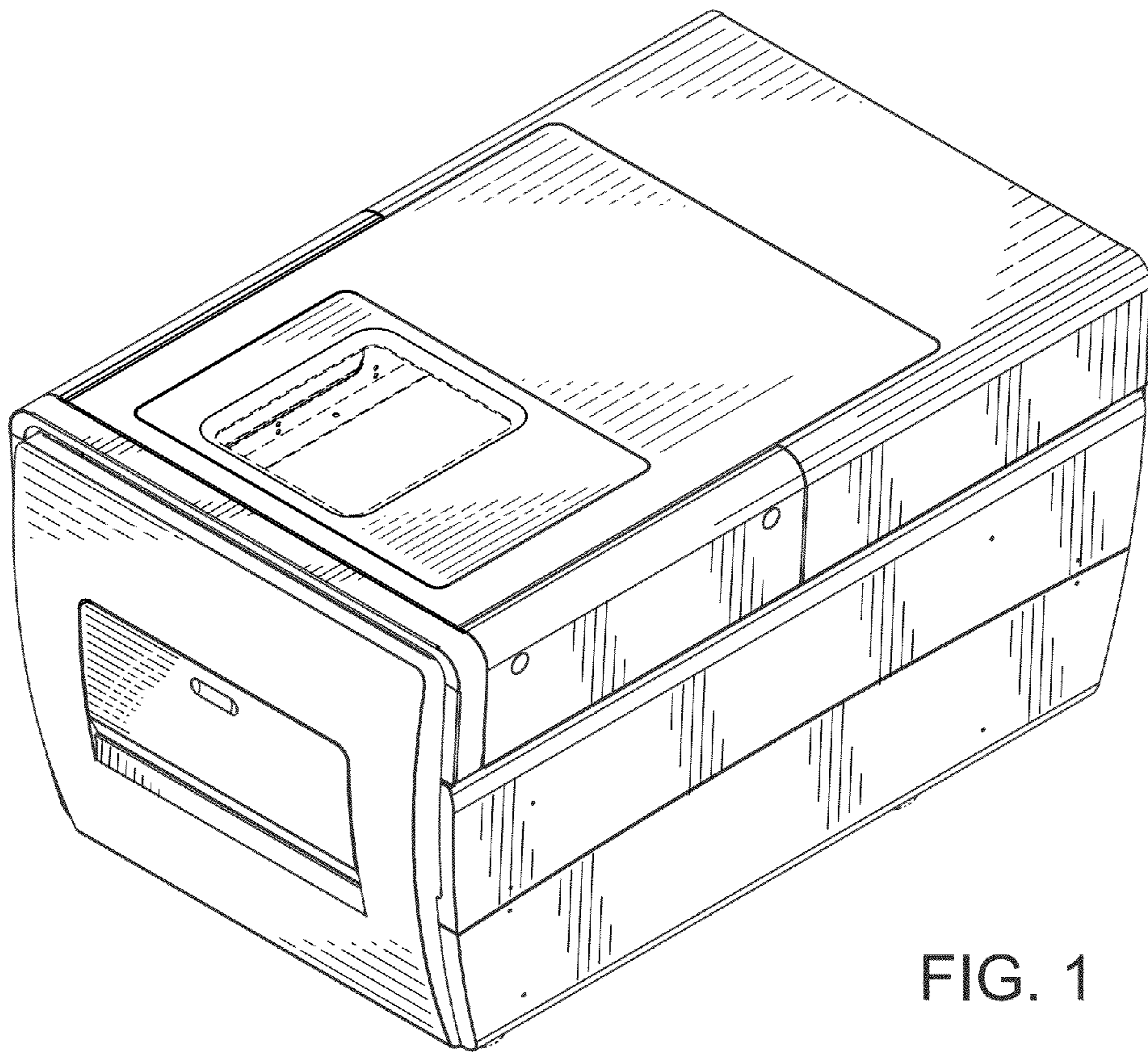


FIG. 1

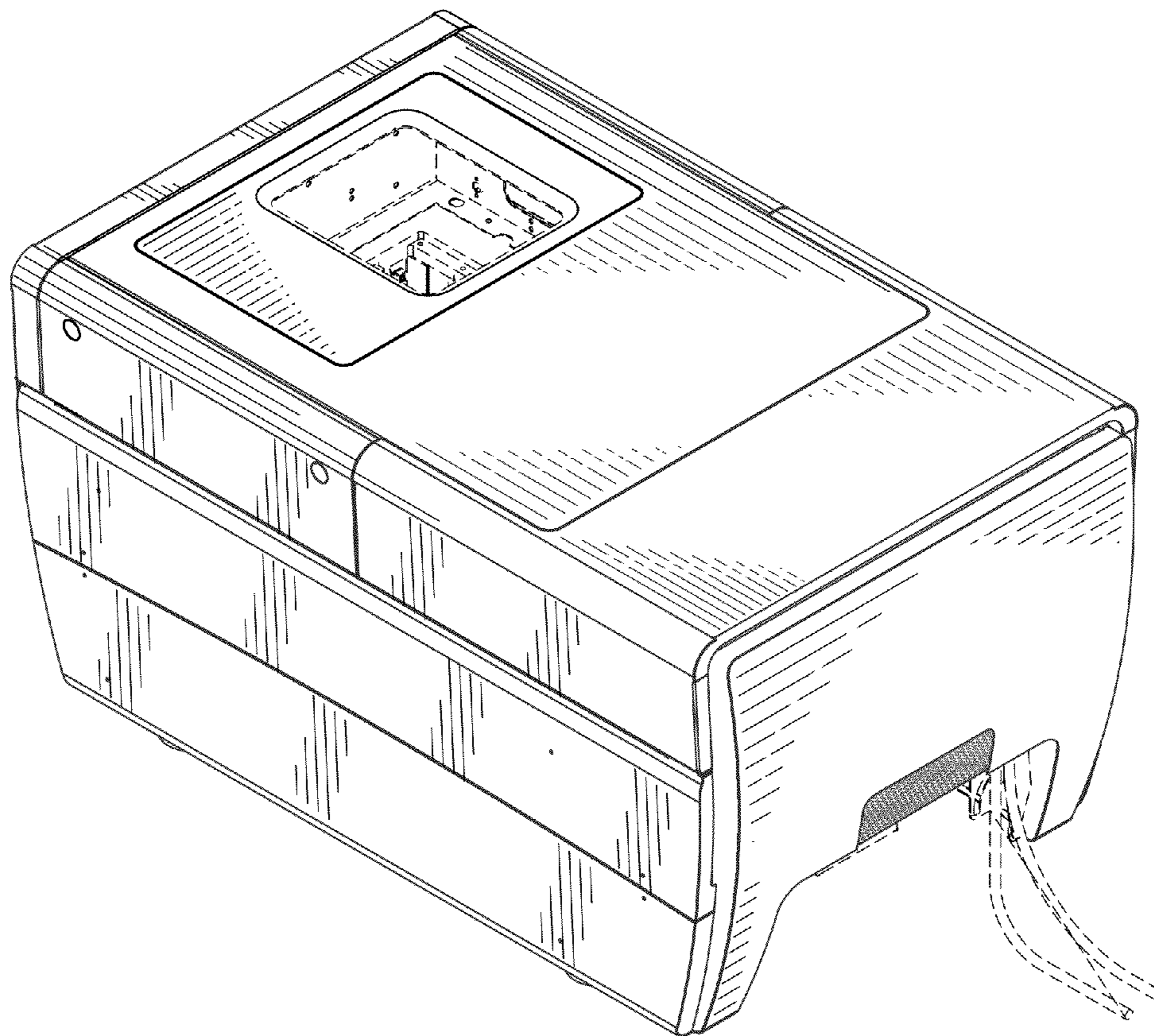


FIG. 2

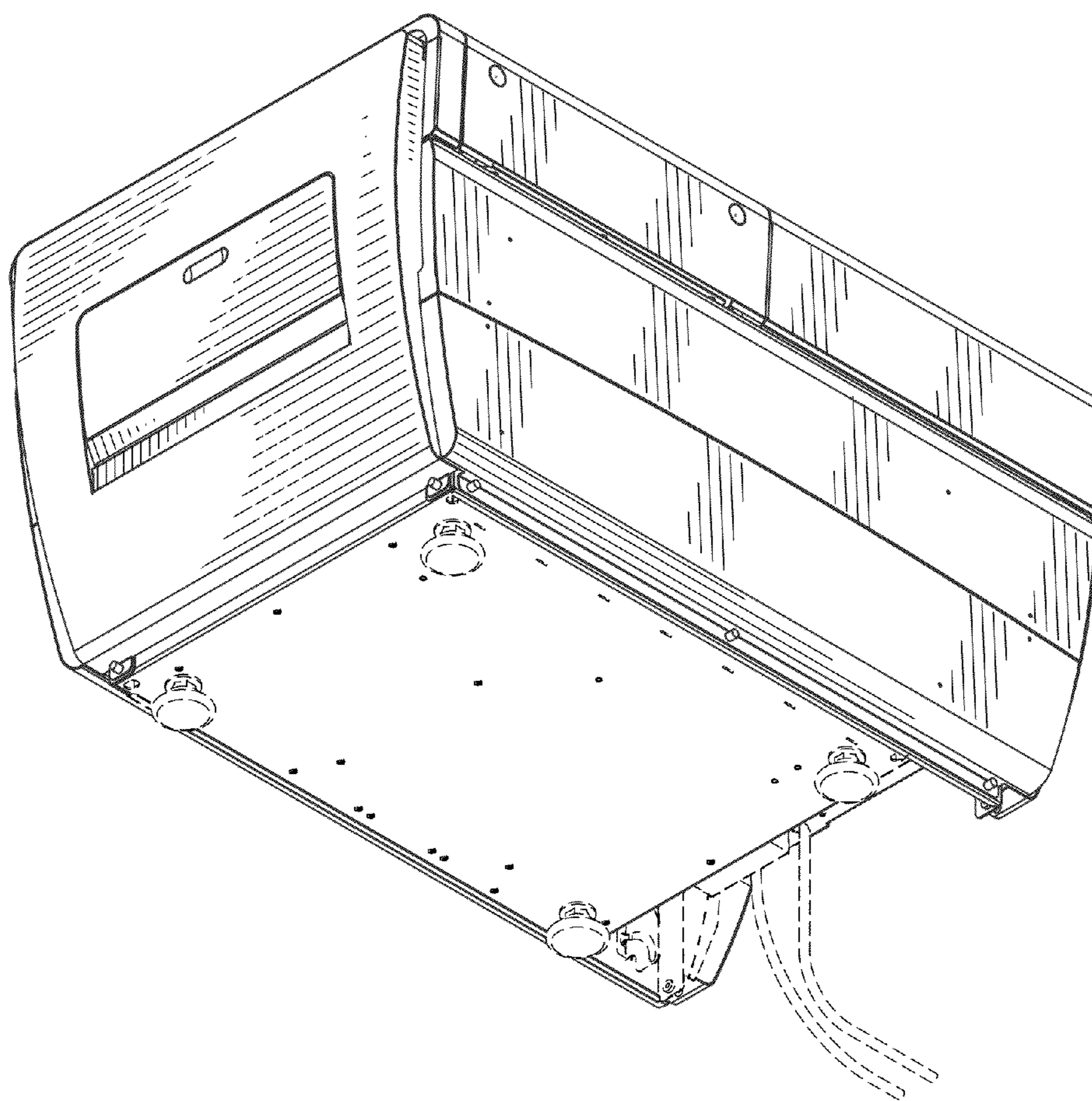


FIG. 3

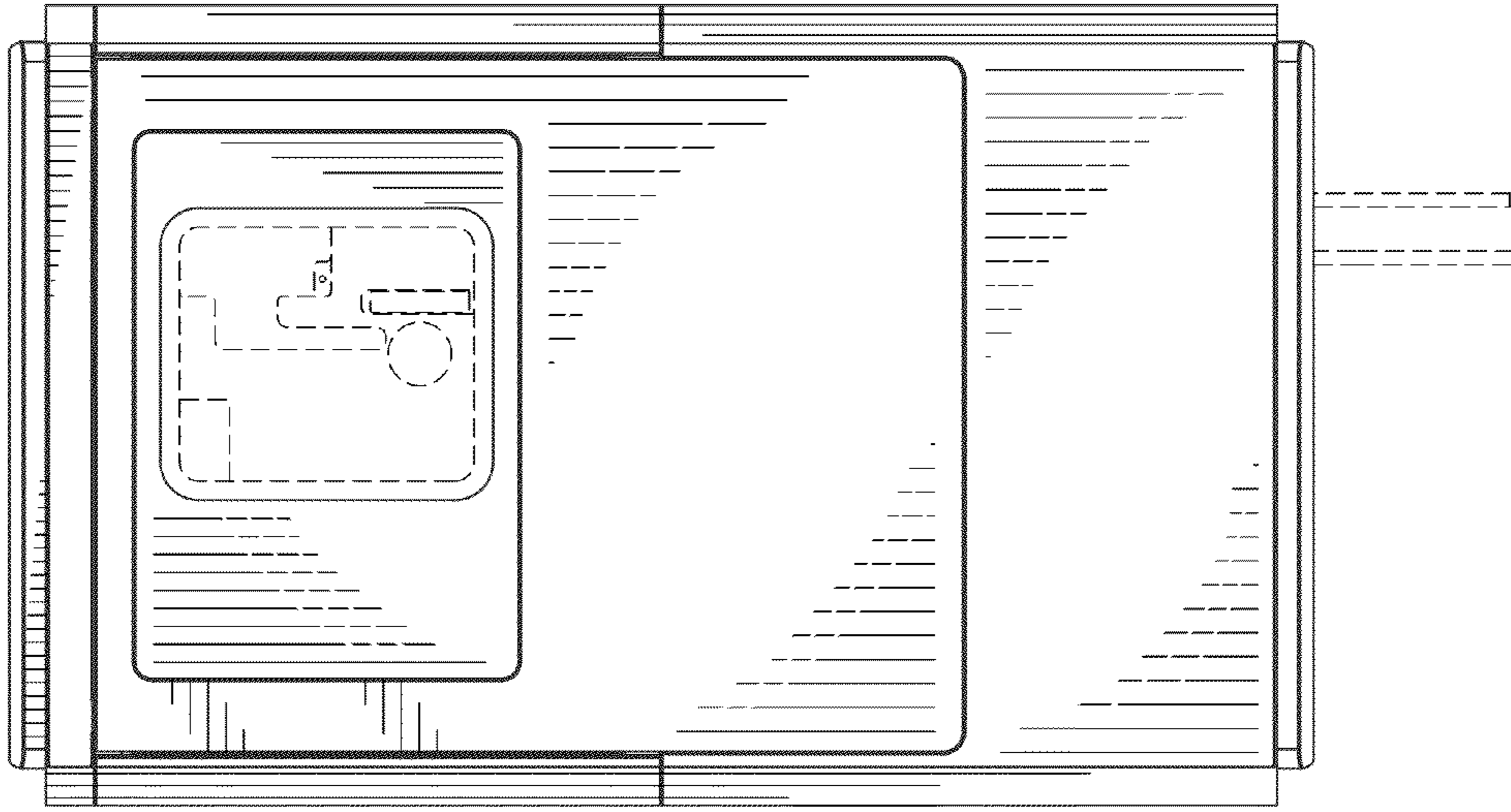


FIG. 4

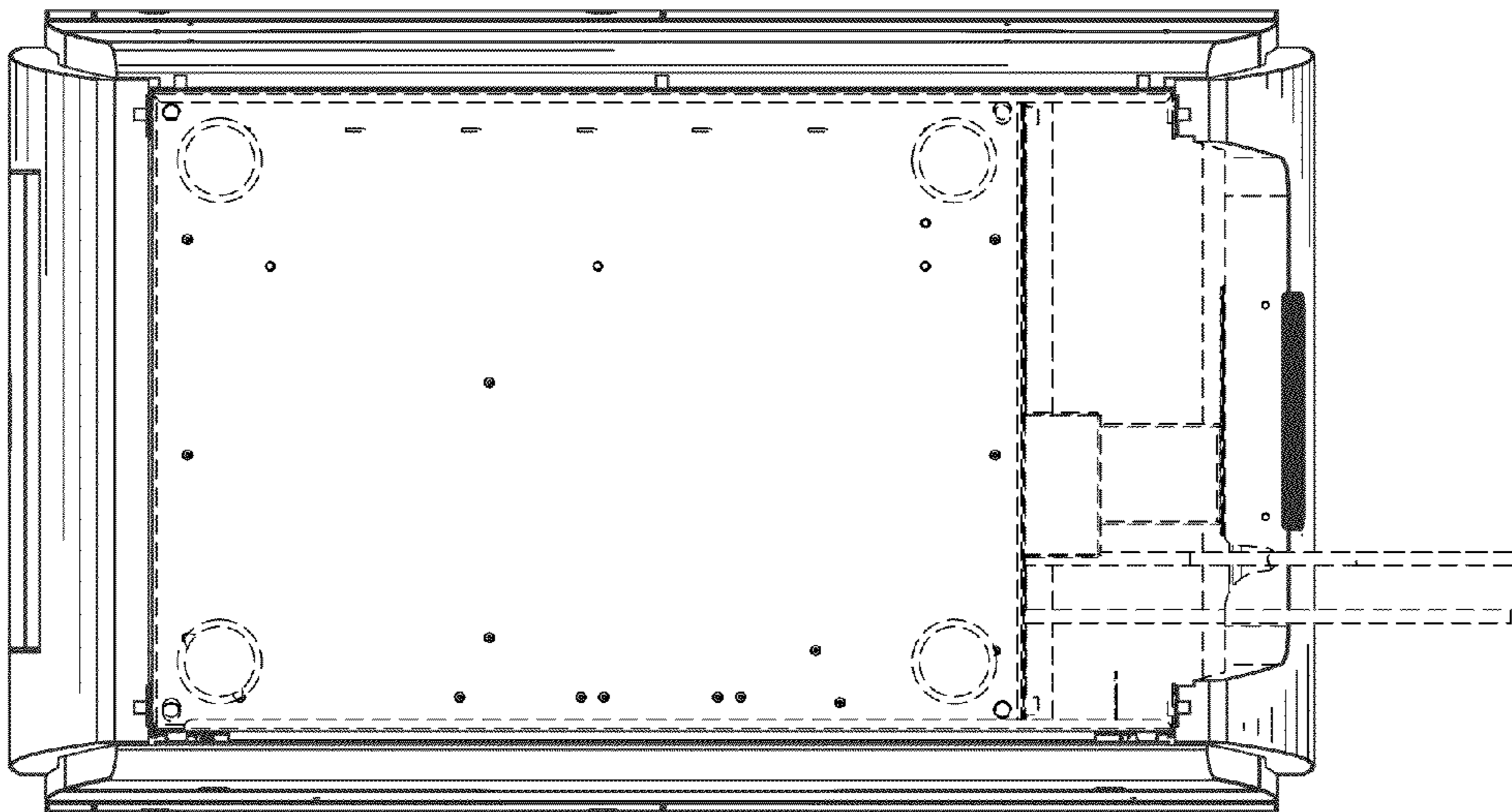


FIG. 5

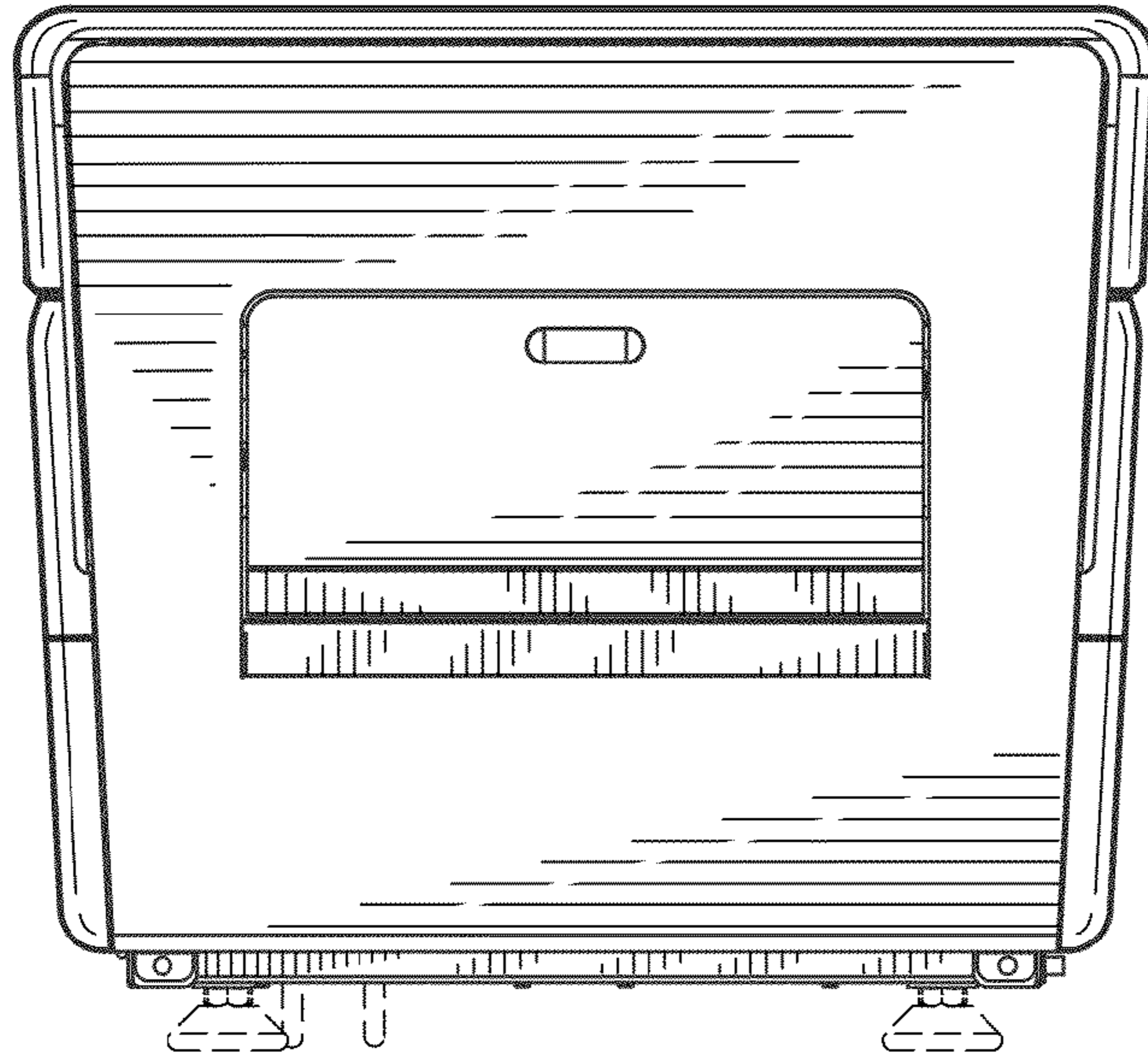


FIG. 6

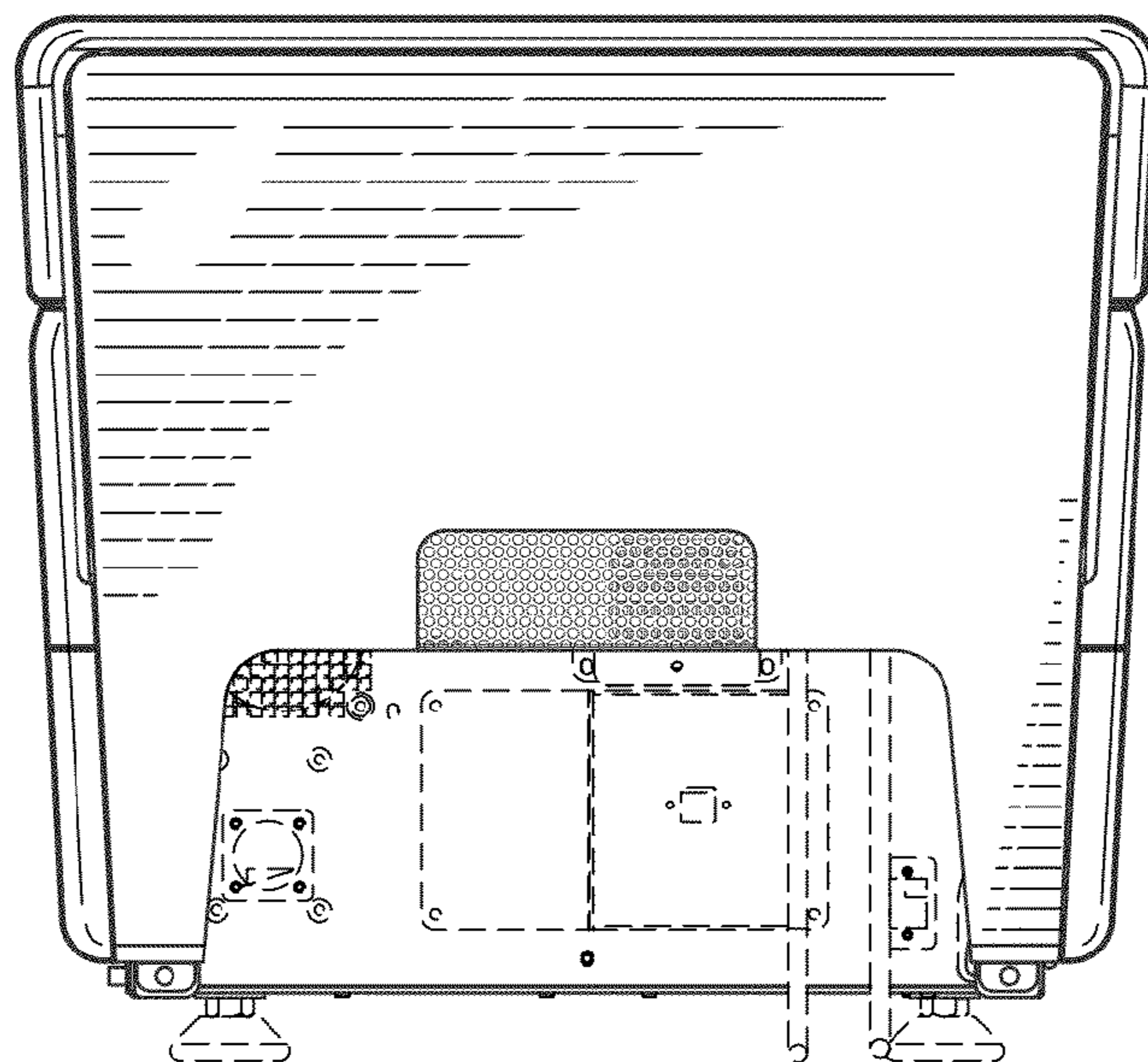


FIG. 7

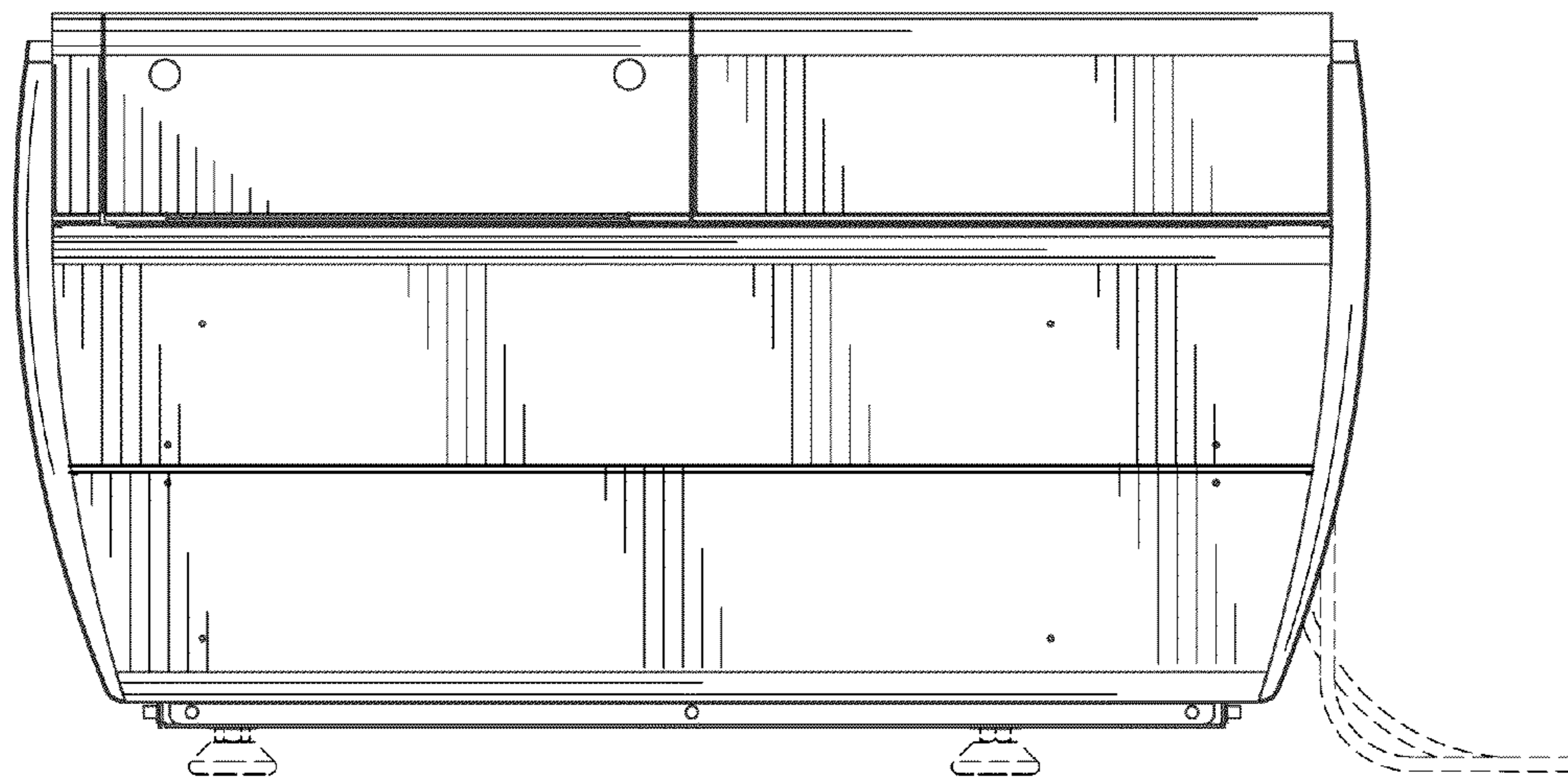


FIG. 8