



US00D744879S

(12) **United States Design Patent**  
**Huang**

(10) **Patent No.:** **US D744,879 S**  
(45) **Date of Patent:** **\*\* Dec. 8, 2015**

(54) **DIGITAL MULTIMETER**

(56) **References Cited**

(71) Applicant: **Danaher (Shanghai) Industrial Instrumentation Technologies R&D Co., Ltd., Shanghai (CN)**

U.S. PATENT DOCUMENTS

(72) Inventor: **Wei Huang, Shanghai (CN)**

D358,348 S	5/1995	Burgess	
5,920,188 A	7/1999	Voorheis	
D412,450 S	8/1999	McCain	
D419,466 S	1/2000	McCain	
D446,735 S	8/2001	McCain	
D625,633 S	10/2010	Laurino	
8,093,516 B2	1/2012	Worones	
8,358,121 B2	1/2013	Hudson	
8,374,507 B2 *	2/2013	Hudson et al.	398/115
8,405,380 B2	3/2013	Marzynski	
D684,873 S	6/2013	Steinich	
8,466,671 B2	6/2013	Worones	
D704,579 S	5/2014	Heishi	
D705,099 S	5/2014	Heishi	
D705,681 S	5/2014	Morishita	
8,755,173 B2	6/2014	Laurino	
D723,401 S *	3/2015	Shen	D10/78

(73) Assignee: **Danaher (Shanghai) Industrial Instrumentation Technologies R&D Co., Ltd., Shanghai (CN)**

(\*\*) Term: **14 Years**

(21) Appl. No.: **29/520,582**

(22) Filed: **Mar. 16, 2015**

**Related U.S. Application Data**

(63) Continuation of application No. 29/476,737, filed on Dec. 16, 2013, now Pat. No. Des. 724,454.

**Foreign Application Priority Data**

(30) Jun. 19, 2013 (CN) ..... 2013 3 0264090

(51) **LOC (10) Cl.** ..... **10-04**

(52) **U.S. Cl.**  
USPC ..... **D10/78**

(58) **Field of Classification Search**

USPC ..... D10/78; 324/66, 67, 158 P, 539-542, 324/72.5, 556, 133, 149, 503, 543, 555, 72, 324/754, 115, 141, 114, 145, 156, 508, 116, 324/99 D; 379/21, 60, 66, 96, 379/106.01-106.11; 340/635, 687, 654; 73/866.5; 200/11 R, 11 DA, 336, 341; 361/679.01  
CPC ..... G01R 1/22; G01R 1/04; G01R 15/181; G01R 15/02; G01R 15/186; G01R 15/12; G01R 15/125; G01D 11/24; G06F 17/00  
See application file for complete search history.

(Continued)

*Primary Examiner* — Antoine D Davis

(74) *Attorney, Agent, or Firm* — Seed IP Law Group PLLC

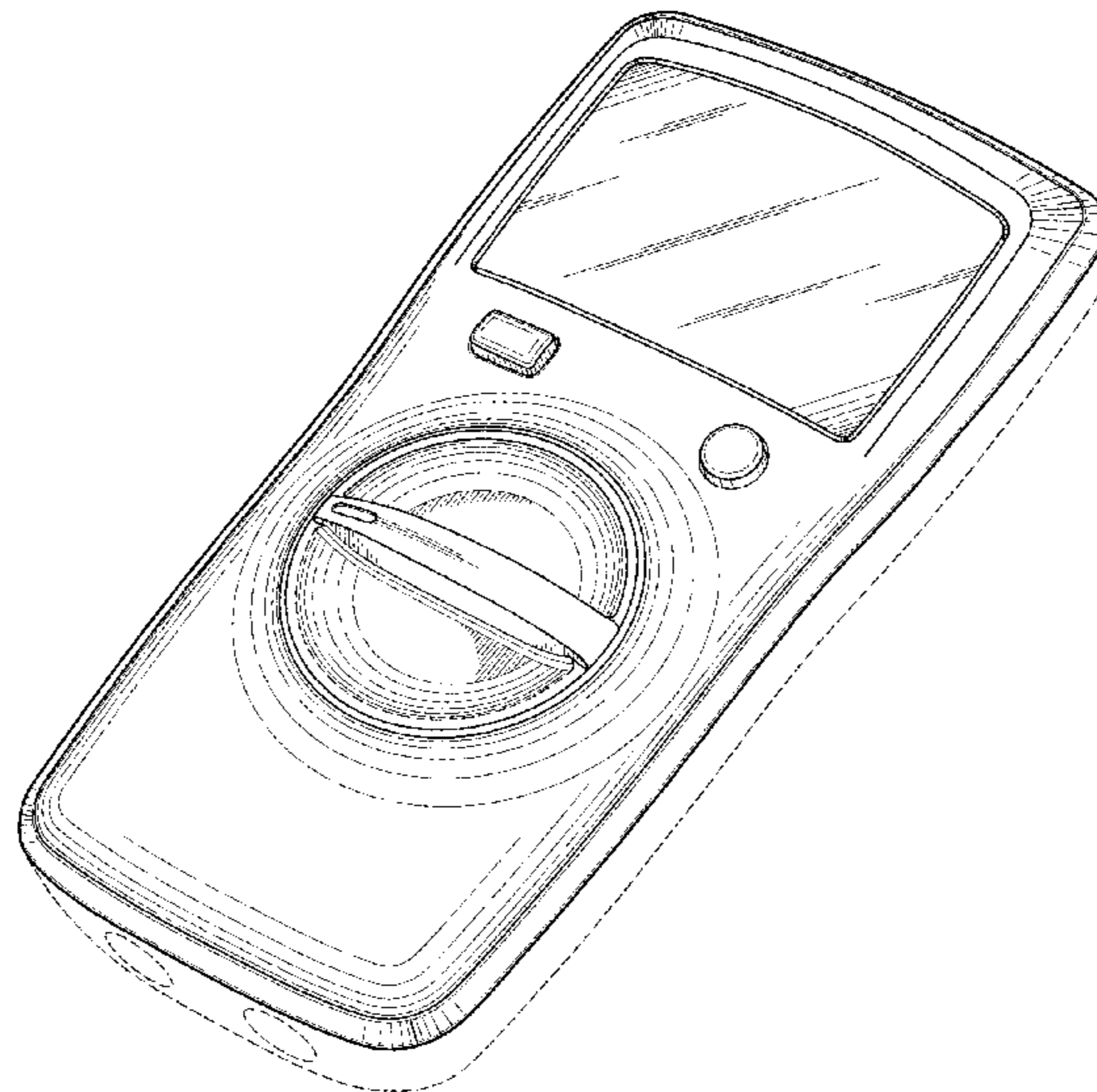
(57) **CLAIM**

The ornamental design for a digital multimeter, as shown and described.

**DESCRIPTION**

FIG. 1 is a front elevation view of a digital multimeter showing my new design;  
FIG. 2 is a rear elevation view thereof;  
FIG. 3 is a left side elevation view thereof;  
FIG. 4 is a right side elevation view thereof;  
FIG. 5 is a top plan view thereof;  
FIG. 6 is a bottom plan view thereof; and,  
FIG. 7 is a bottom front right perspective view thereof.  
Broken lines shown in the drawings illustrate environmental subject matter and form no part of the claimed design.

**1 Claim, 5 Drawing Sheets**



# US D744,879 S

Page 2

---

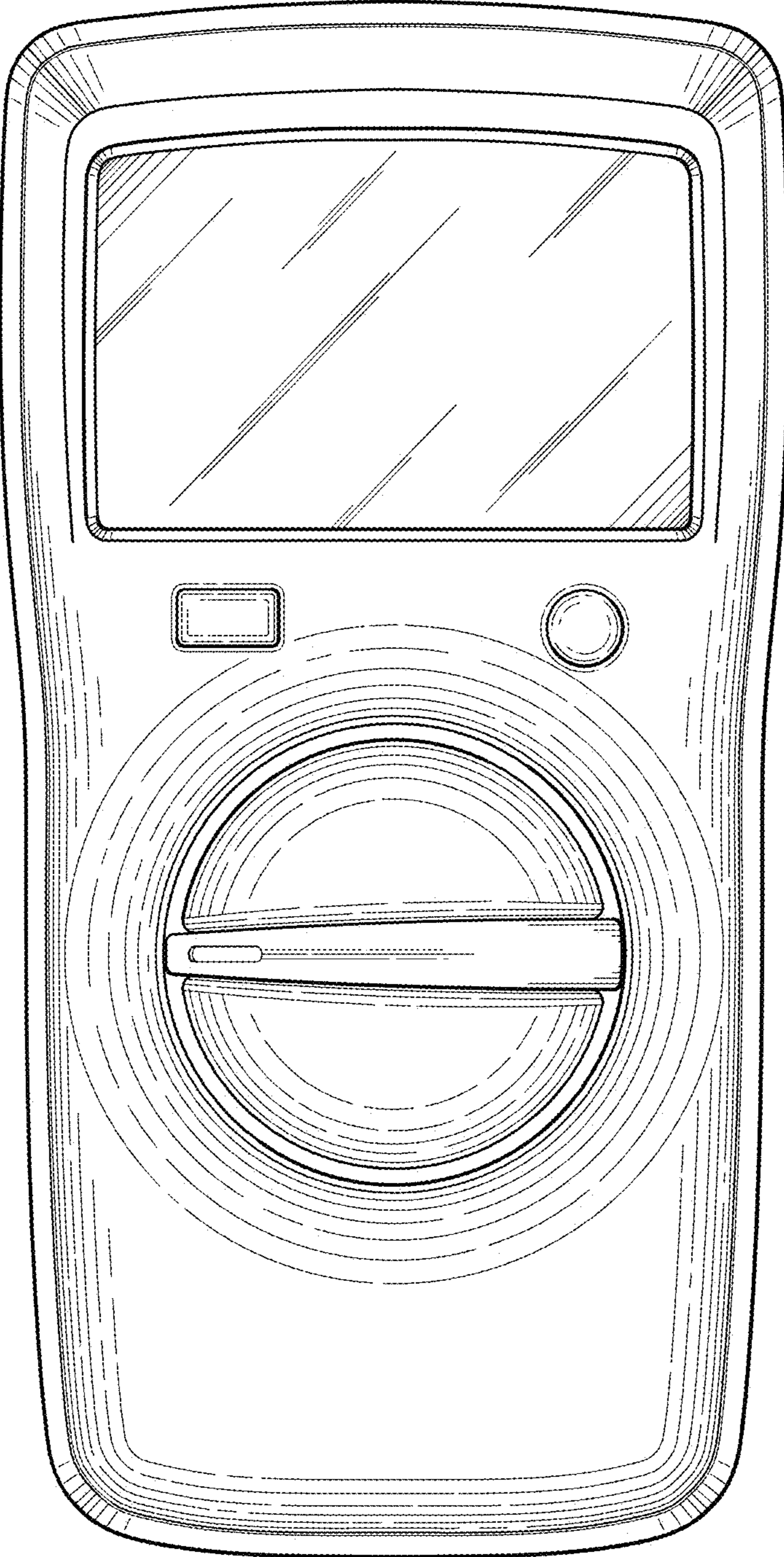
(56)

## References Cited

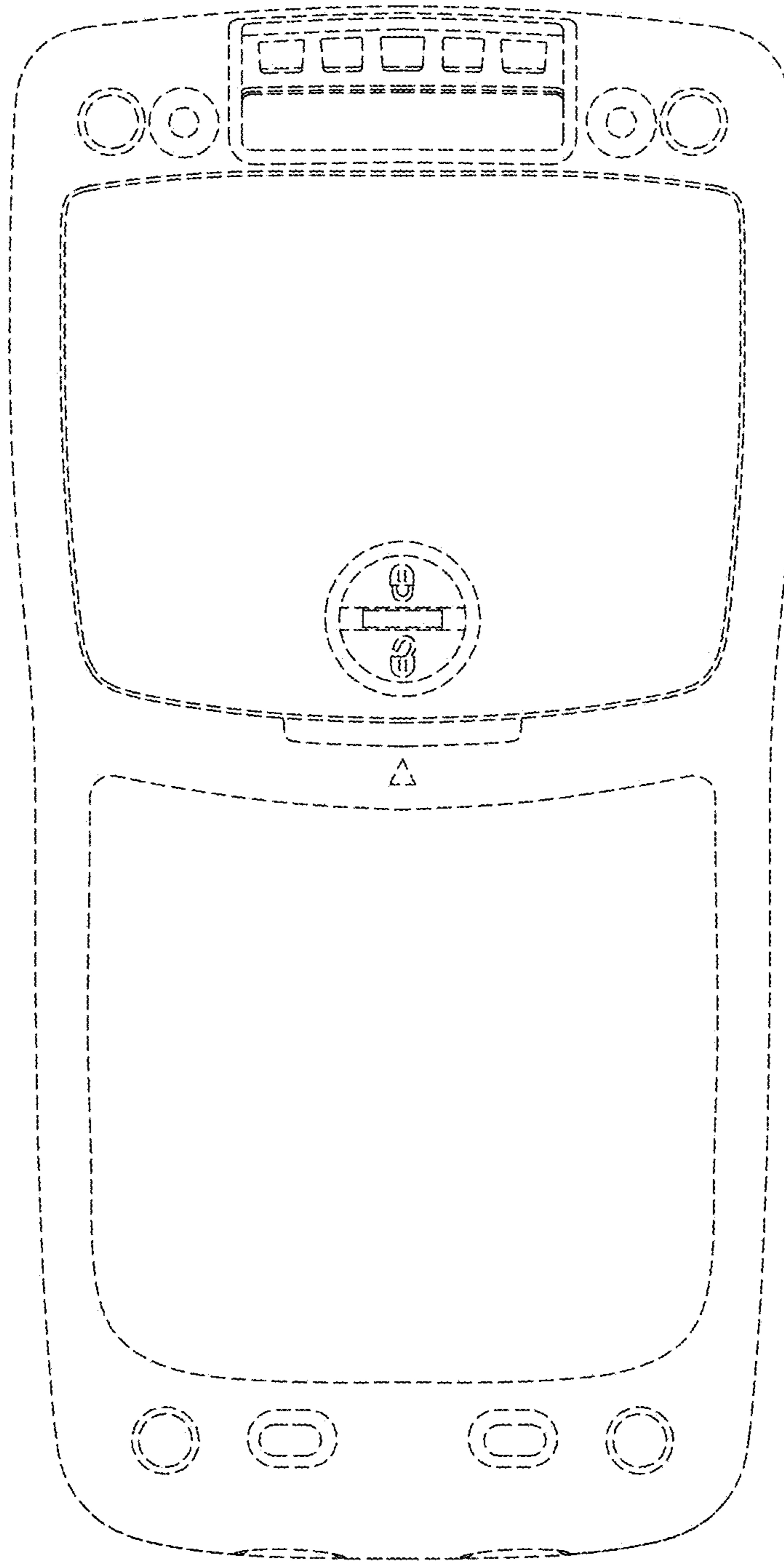
### U.S. PATENT DOCUMENTS

8,981,759 B2 *	3/2015	Heishi et al. ....	324/115
8,983,785 B2 *	3/2015	Panko .....	702/67
D731,908 S *	6/2015	Huang .....	D10/78
D723,959 S *	3/2015	Huang .....	D10/78

\* cited by examiner

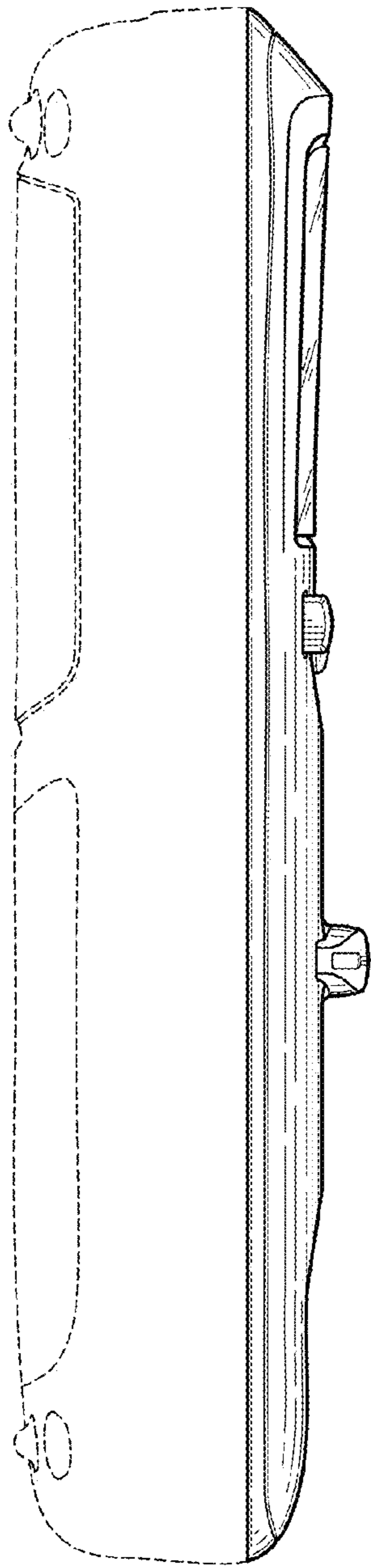


*Fig. 1.*

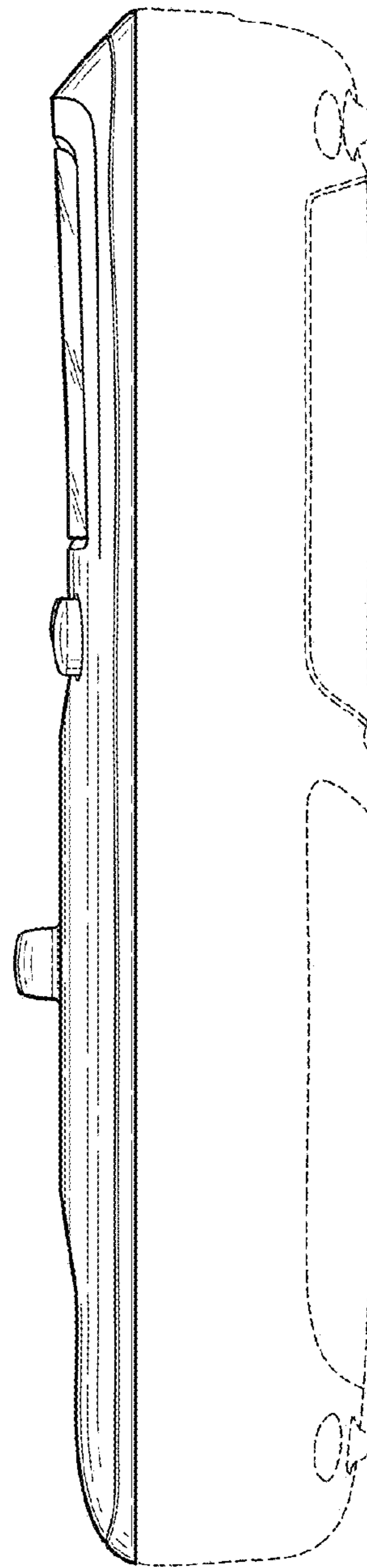


*Fig. 2.*

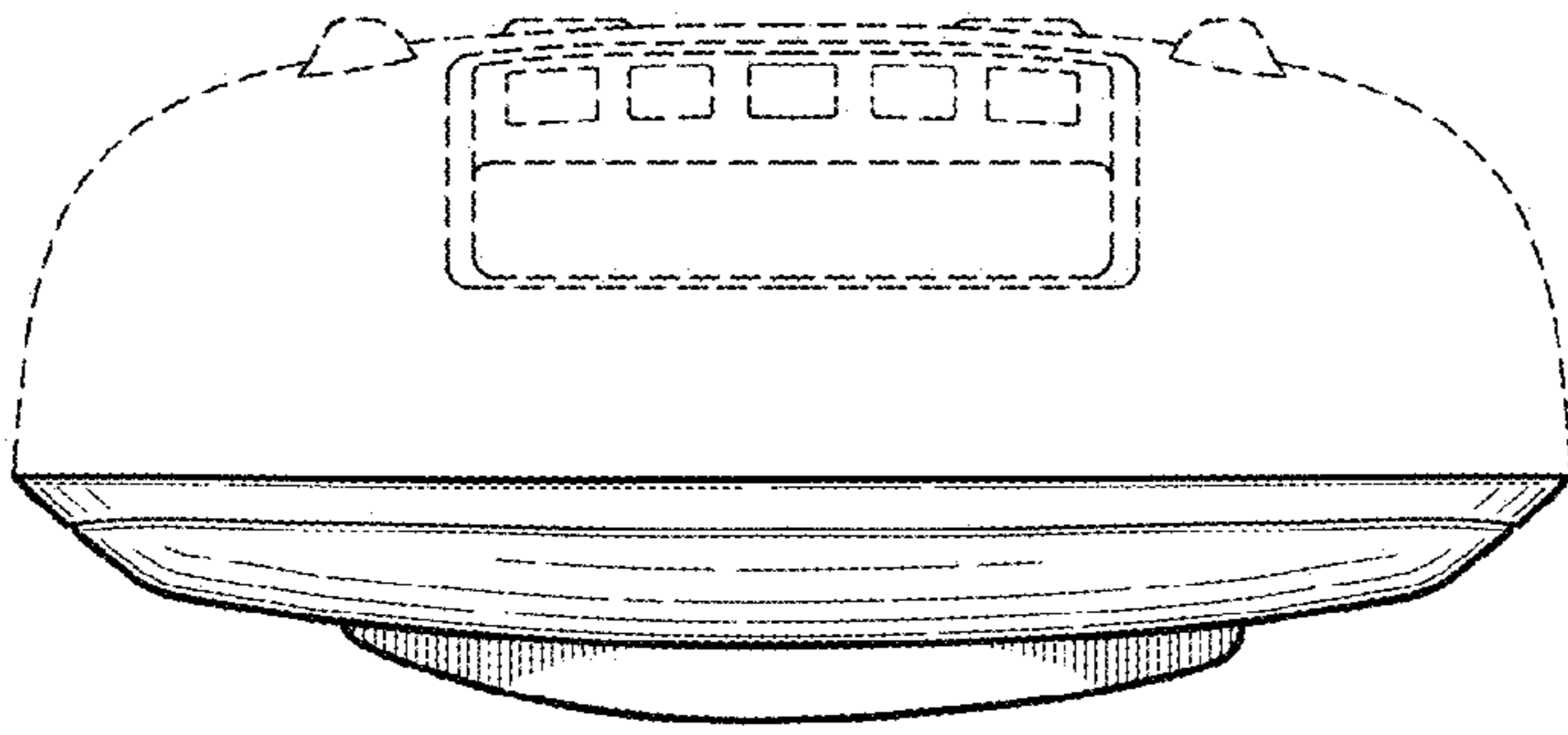




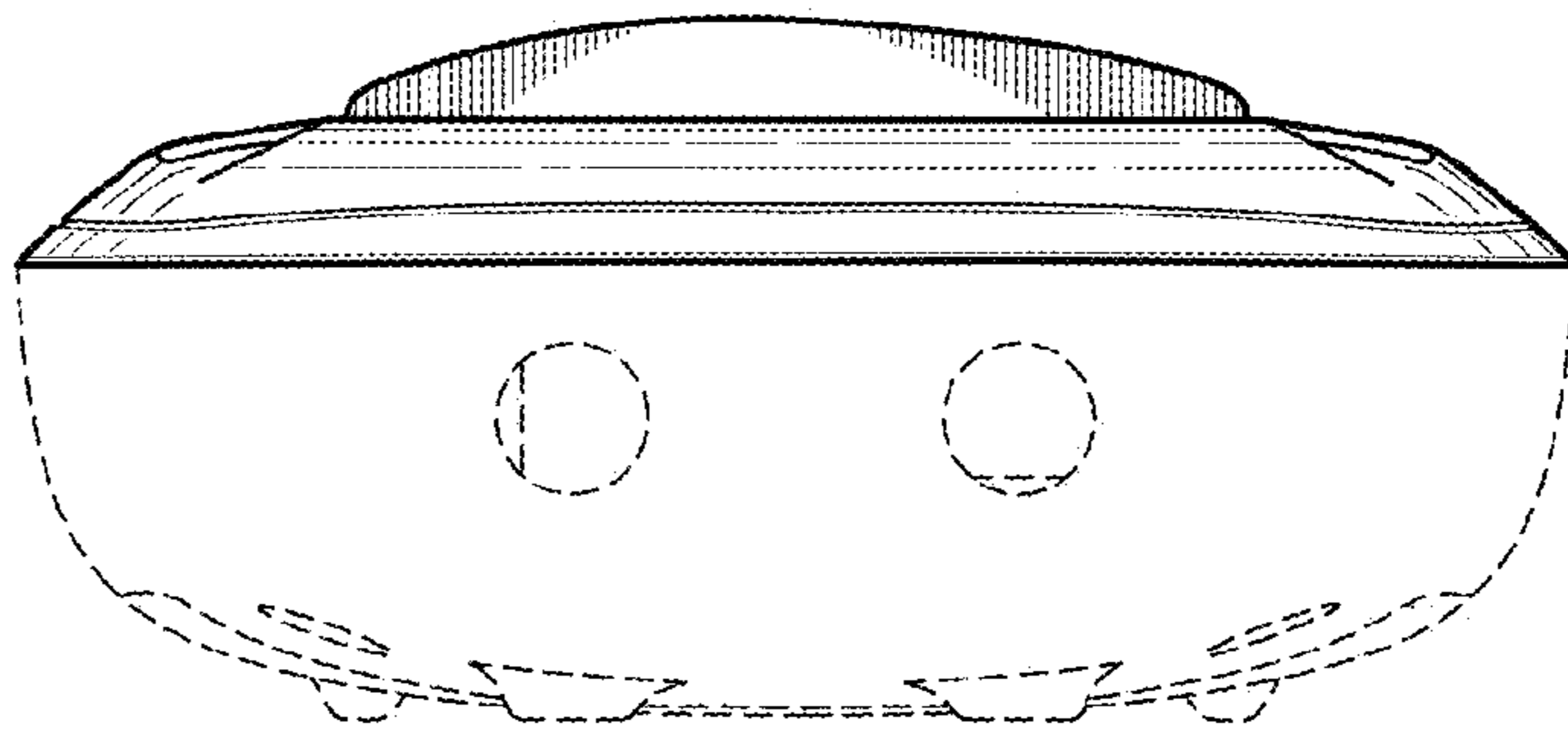
*Fig. 3.*



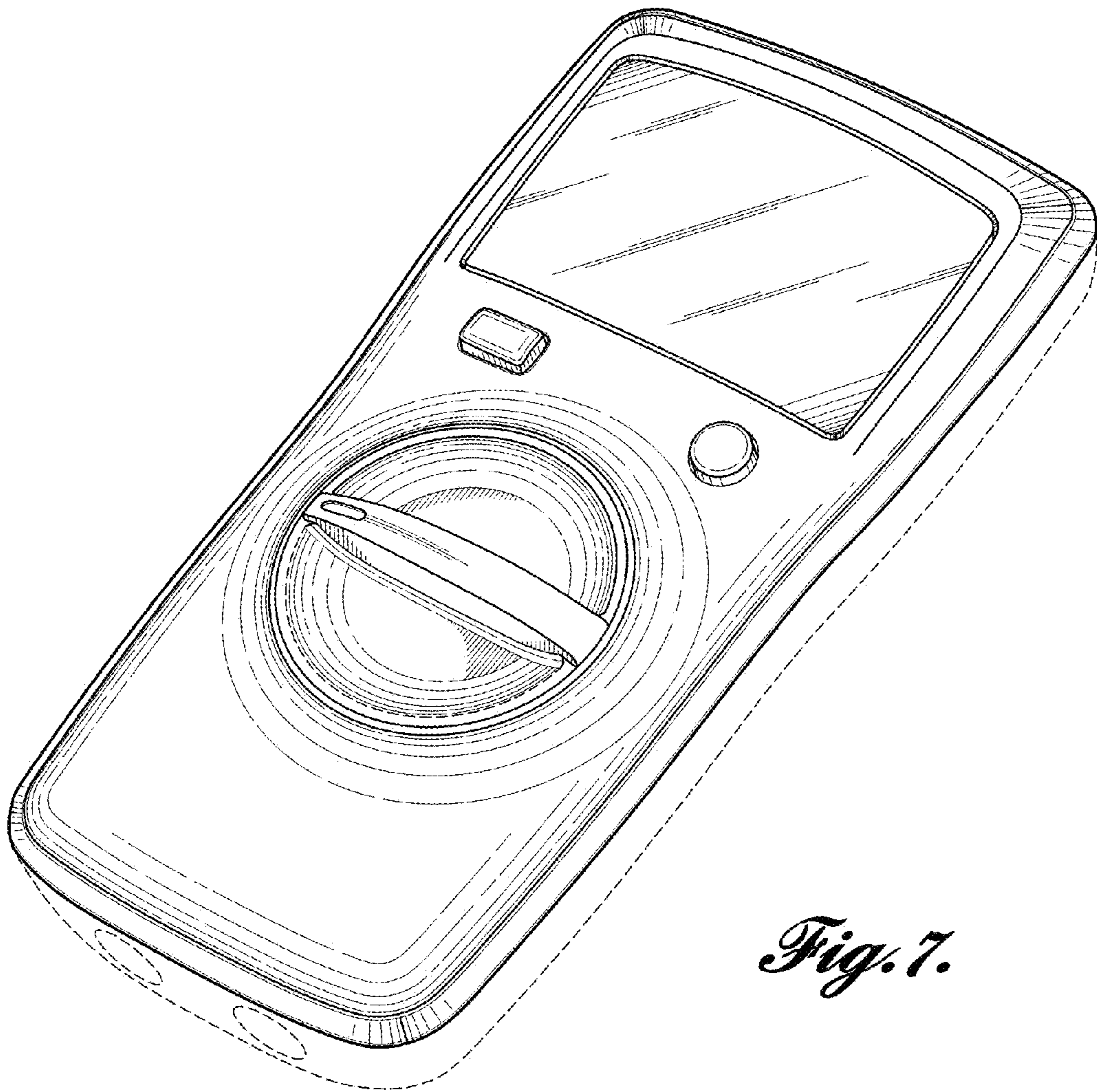
*Fig. 4.*



*Fig. 5.*



*Fig. 6.*



*Fig. 7.*