



US00D744877S

(12) **United States Design Patent**
Shay

(10) **Patent No.:** **US D744,877 S**

(45) **Date of Patent:** **** Dec. 8, 2015**

(54) **HIGH VOLTAGE PROXIMITY DETECTOR**

(56) **References Cited**

(71) Applicant: **Shui-Yuan Shay**, Taipei (TW)

U.S. PATENT DOCUMENTS

(72) Inventor: **Shui-Yuan Shay**, Taipei (TW)

D474,705 S * 5/2003 Shay D10/104.1

(**) Term: **14 Years**

* cited by examiner

(21) Appl. No.: **29/498,498**

Primary Examiner — Antoine D Davis

(22) Filed: **Aug. 5, 2014**

(74) *Attorney, Agent, or Firm* — Rosenberg, Klein & Lee

(51) **LOC (10) Cl.** **10-04**

(57) **CLAIM**

The ornamental design for a high voltage proximity detector, as shown and described.

(52) **U.S. Cl.**

USPC **D10/75; D10/104.1**

DESCRIPTION

(58) **Field of Classification Search**

USPC D10/75, 78, 104.1

CPC G01R 19/14; G01R 19/145; G01R 1/15;

G01R 19/155

FIG. 1 is a Perspective view of a high voltage proximity

detector showing my new design;

FIG. 2 is a Front view thereof;

FIG. 3 is a Rear view thereof;

FIG. 4 is a Left side view thereof;

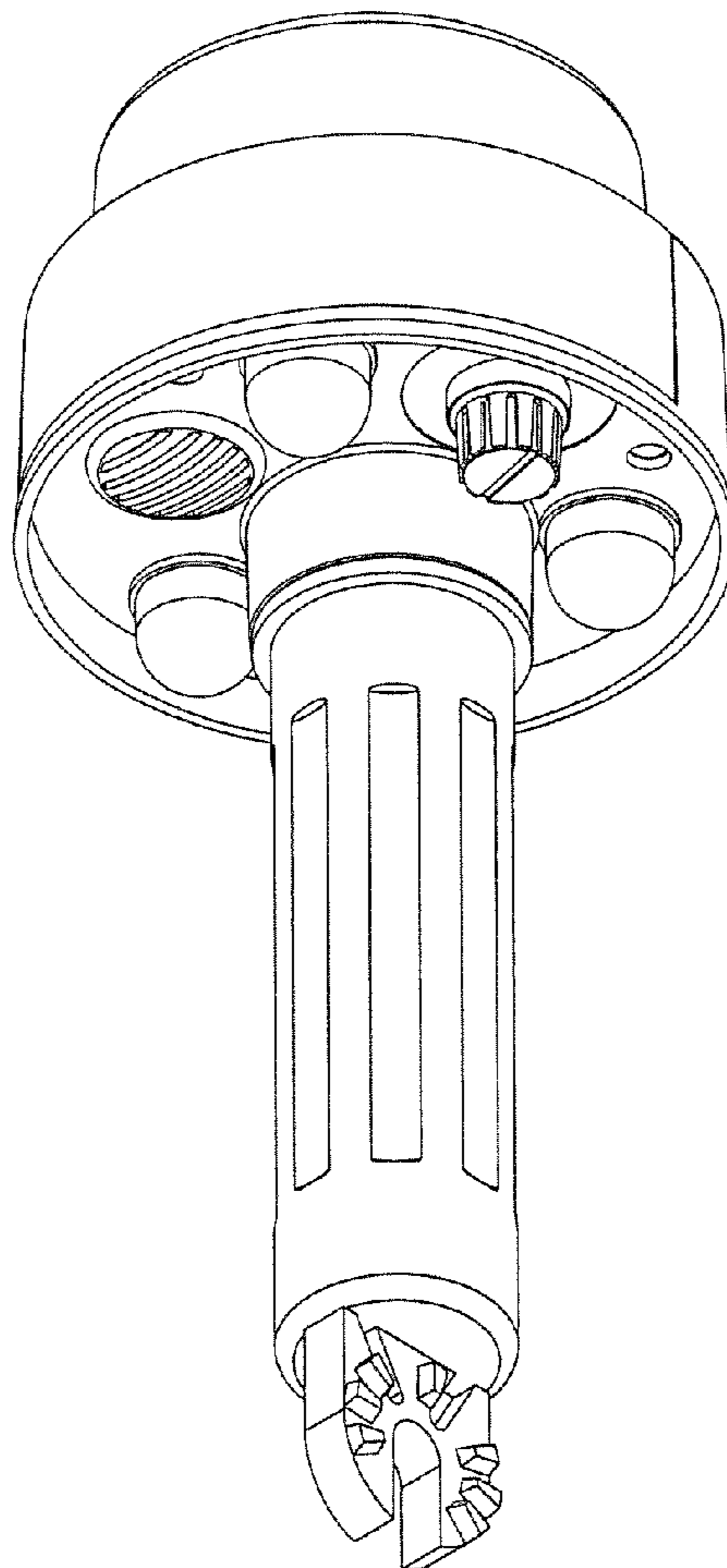
FIG. 5 is a Right side view thereof;

FIG. 6 is a Top plan view thereof; and,

FIG. 7 is a Bottom plan view thereof.

See application file for complete search history.

1 Claim, 7 Drawing Sheets



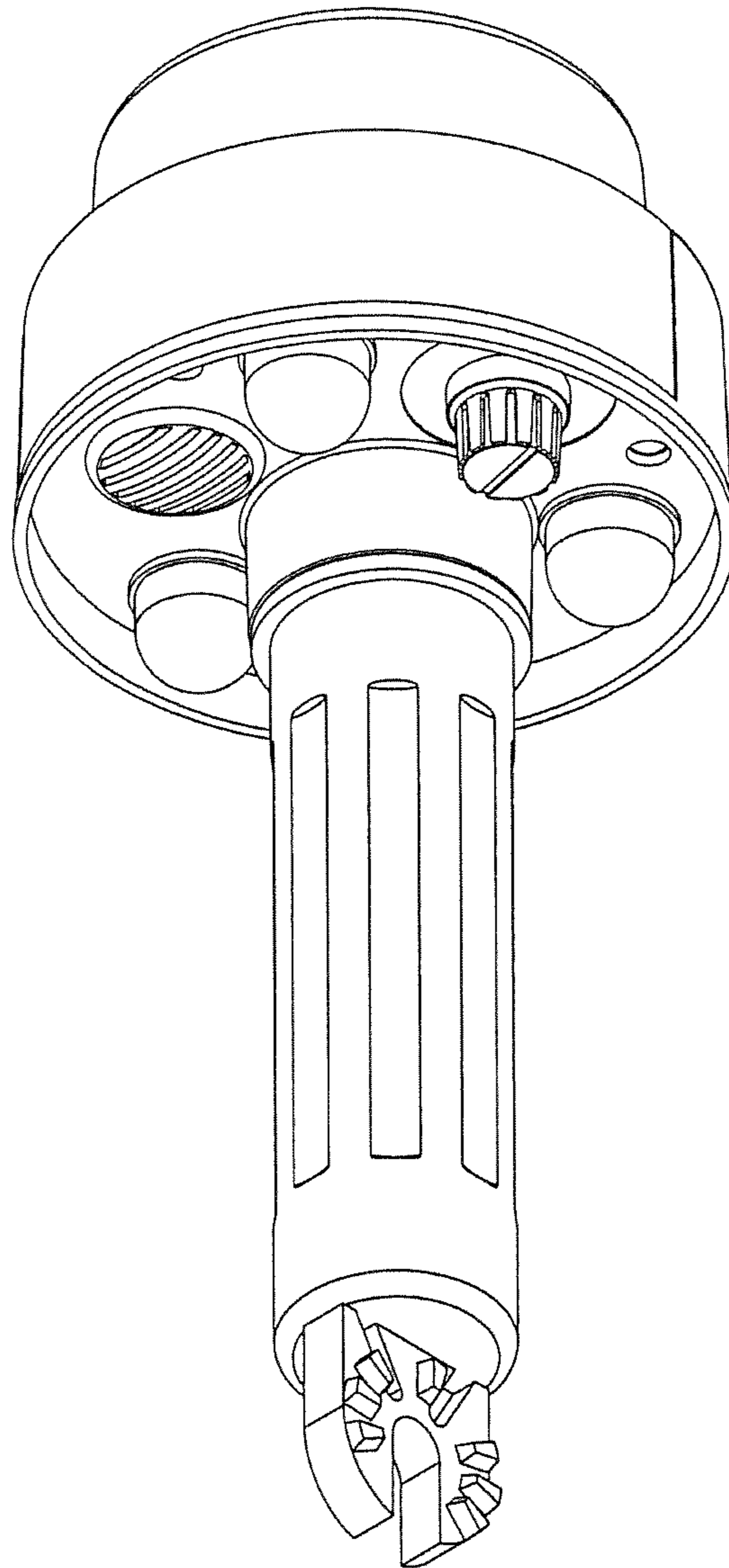


FIG. 1

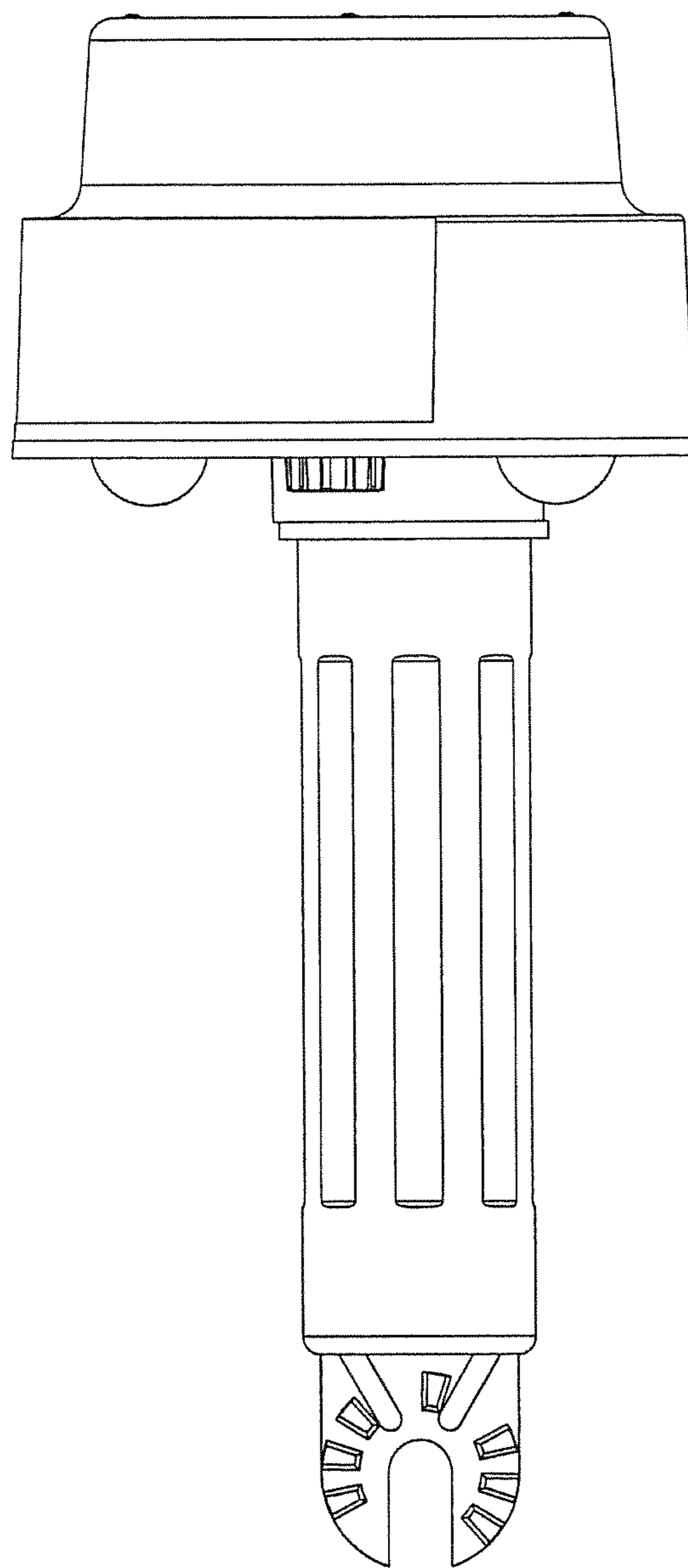


FIG. 2

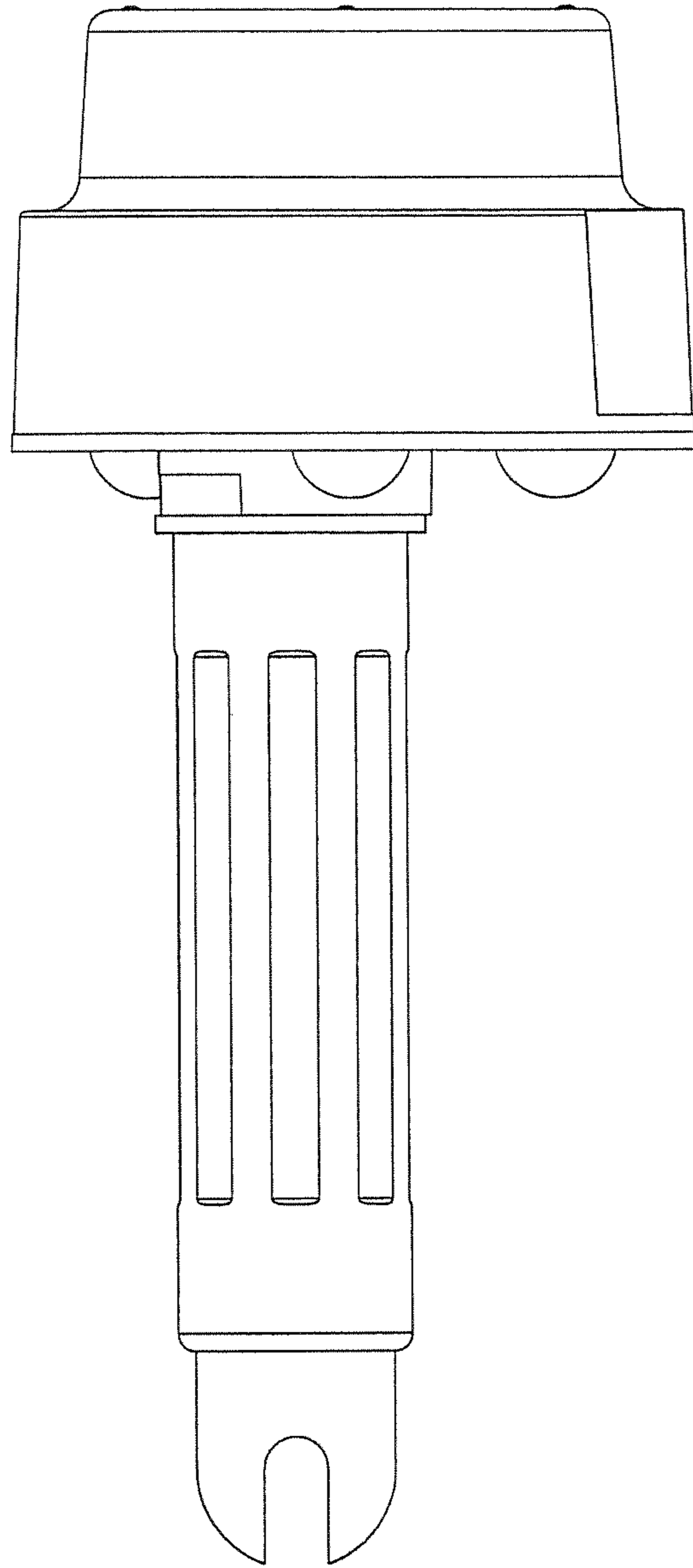


FIG. 3

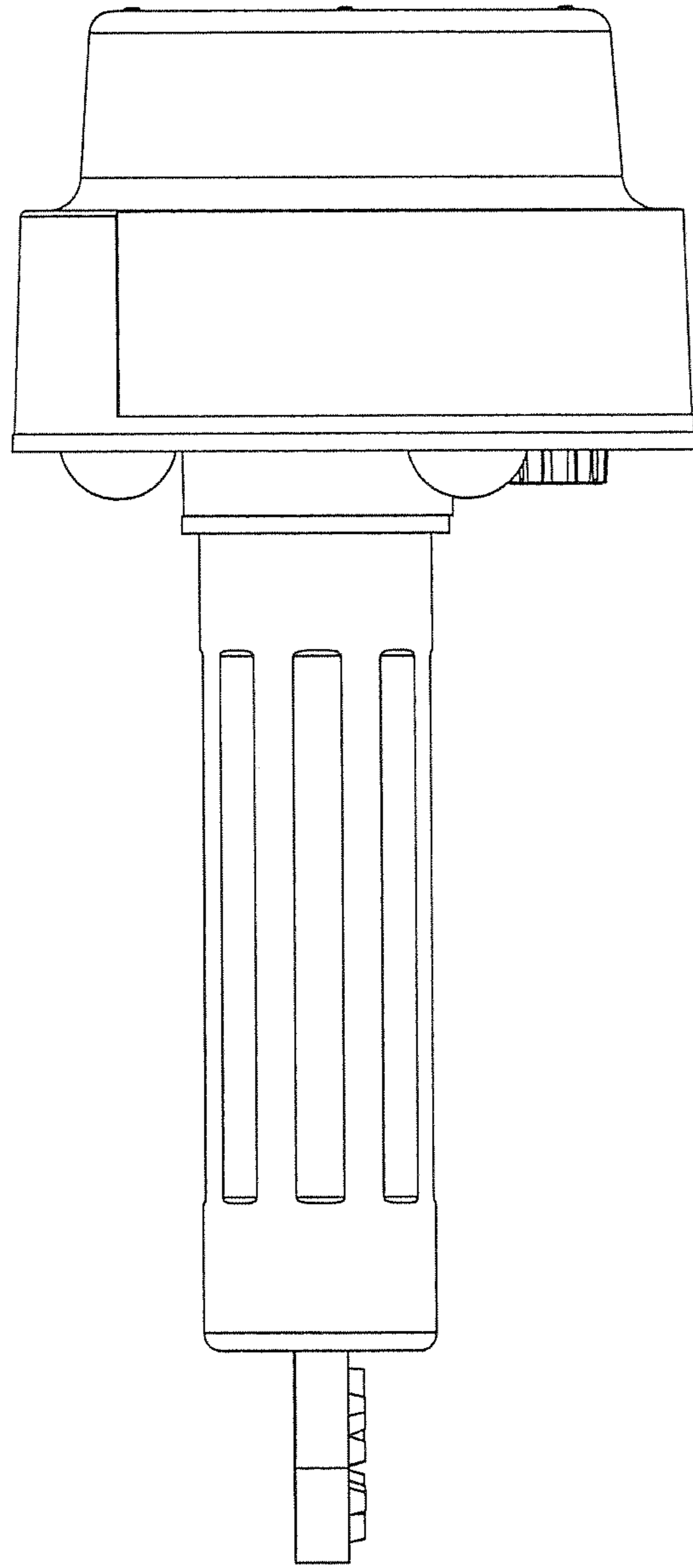


FIG. 4

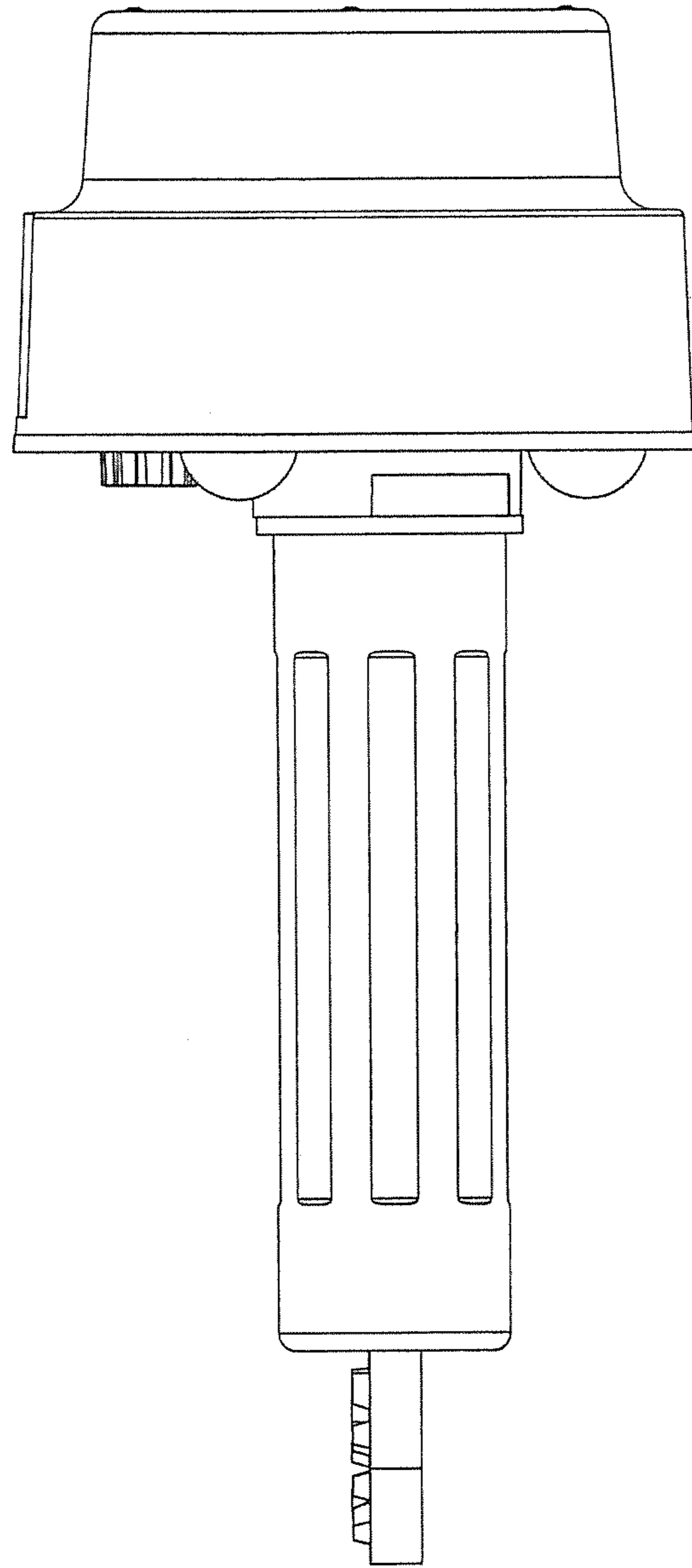


FIG. 5

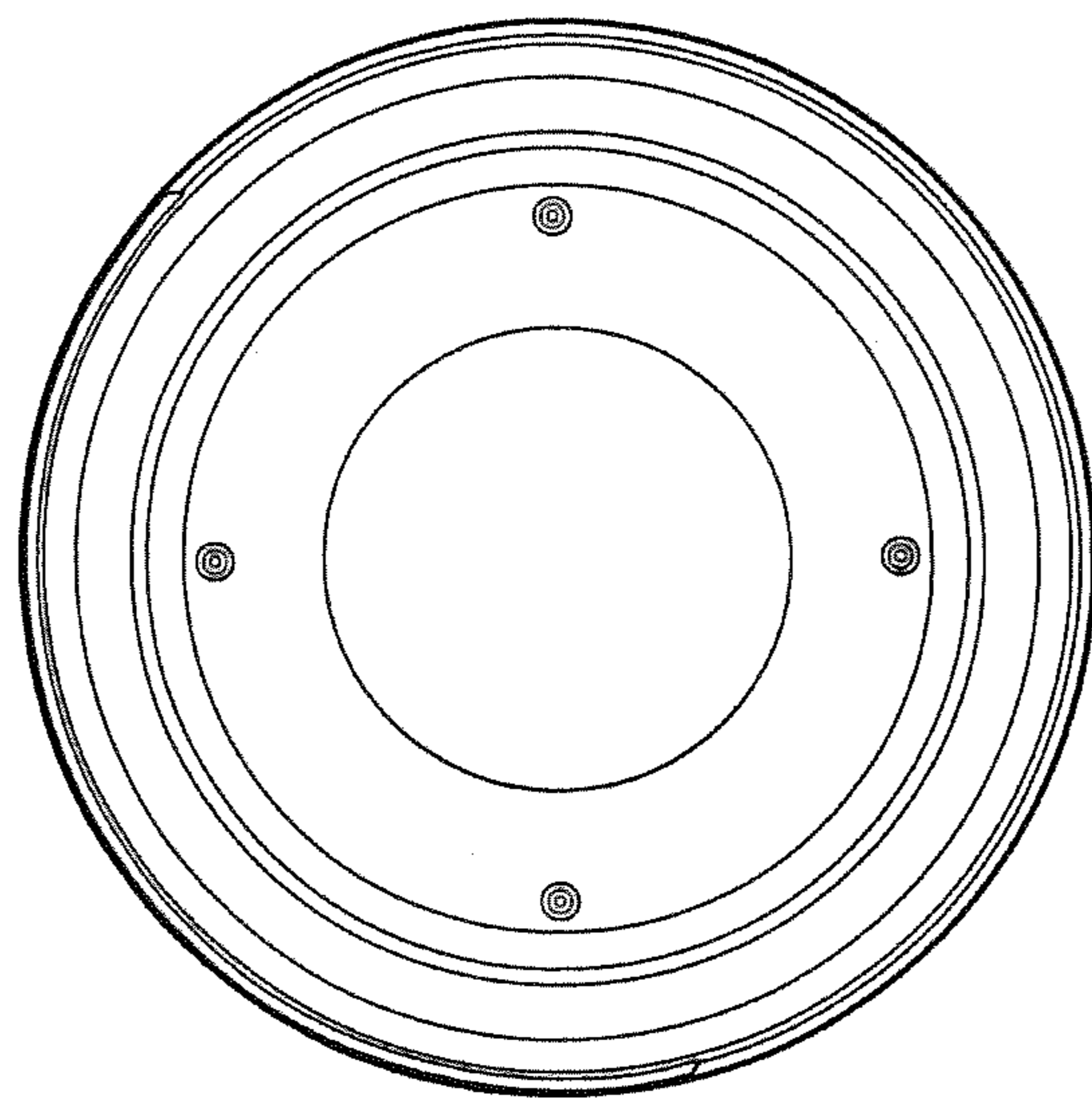


FIG. 6

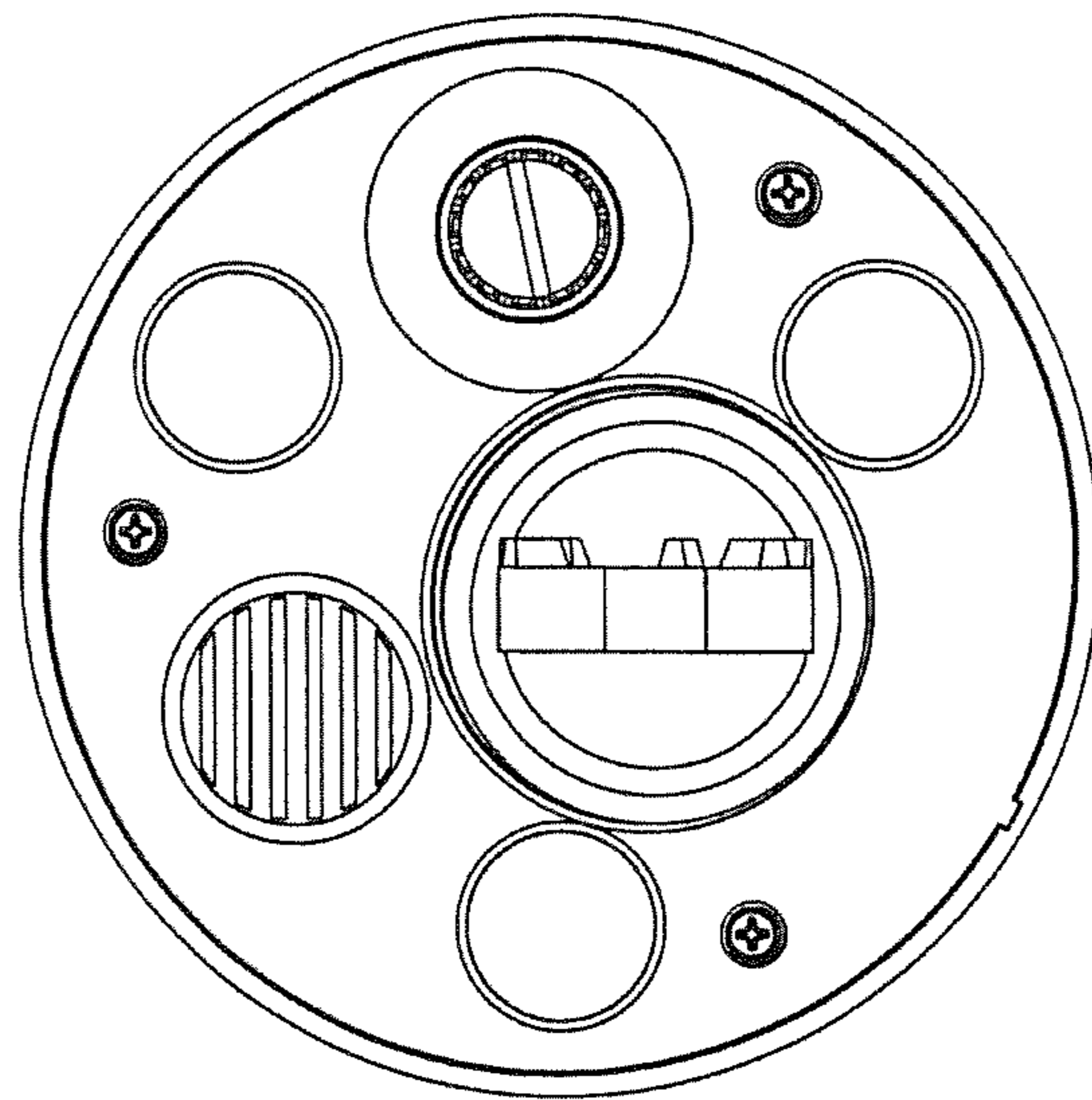


FIG. 7